



US00D551133S

(12) **United States Design Patent** (10) **Patent No.:** **US D551,133 S**
Angelo et al. (45) **Date of Patent:** **** Sep. 18, 2007**

(54) **GRILLE SURROUND FOR TRUCK**
 (75) Inventors: **Gerald Jay Angelo**, Bellevue, WA
 (US); **Wayne K Simons**, Kent, WA
 (US); **Daniel R Kieffer**, Kirkland, WA
 (US); **Daniel Farmer**, Coupeville, WA
 (US)

D411,140 S 6/1999 Meryman et al.
 D411,494 S 6/1999 Meryman et al.
 D412,689 S 8/1999 Onopa
 D412,874 S 8/1999 Meryman et al.
 D422,251 S 4/2000 Bader et al.
 D423,990 S 5/2000 Meryman et al.
 D424,489 S 5/2000 Damon et al.

(Continued)

(73) Assignee: **PACCAR Inc**, Bellevue, WA (US)

(**) Term: **14 Years**

(21) Appl. No.: **29/265,498**

(22) Filed: **Aug. 31, 2006**

(51) **LOC (8) Cl.** **12-16**

(52) **U.S. Cl.** **D12/163**

(58) **Field of Classification Search** D12/163,
D12/93, 96, 173; 180/68.1, 68.6; 296/193.1
See application file for complete search history.

(56) **References Cited**

U.S. PATENT DOCUMENTS

D291,872 S 9/1987 Simons et al.
 D291,982 S 9/1987 Simons et al.
 D307,731 S 5/1990 Kerney et al.
 D308,032 S 5/1990 Kerney et al.
 D311,711 S 10/1990 Marlowe et al.
 D312,805 S 12/1990 Marlowe et al.
 D313,784 S 1/1991 Marlowe et al.
 D313,966 S 1/1991 Marlowe et al.
 D320,583 S 10/1991 Simons et al.
 D327,276 S 6/1992 Sorensen
 D329,214 S 9/1992 Marlowe et al.
 D361,968 S 9/1995 Oyama
 D366,638 S 1/1996 Tucker et al.
 D382,841 S 8/1997 Norwood et al.
 D384,019 S 9/1997 Meryman et al.
 D389,108 S 1/1998 Norwood et al.
 D395,860 S 7/1998 Meryman et al.
 D400,835 S 11/1998 Le Quement et al.
 D401,198 S 11/1998 Mueller et al.
 D403,636 S 1/1999 Meryman et al.
 D405,037 S 2/1999 Meryman et al.

OTHER PUBLICATIONS

Kenworth Truck Company W900 brochure, Kirkland, Wash, 2005.

(Continued)

Primary Examiner—Melody N. Brown
(74) *Attorney, Agent, or Firm*—Christensen O'Connor
Johnson Kindness PLLC

(57) **CLAIM**

The ornamental design for a grille surround for truck, as shown and described.

DESCRIPTION

FIG. 1 is a front perspective view of a grille surround for truck showing our new design;

FIG. 2 is a front elevational view of the grille surround for truck of FIG. 1;

FIG. 3 is a rear elevational view of the grille surround for truck of FIG. 1;

FIG. 4 is a top plan view of the grille surround for truck of FIG. 1;

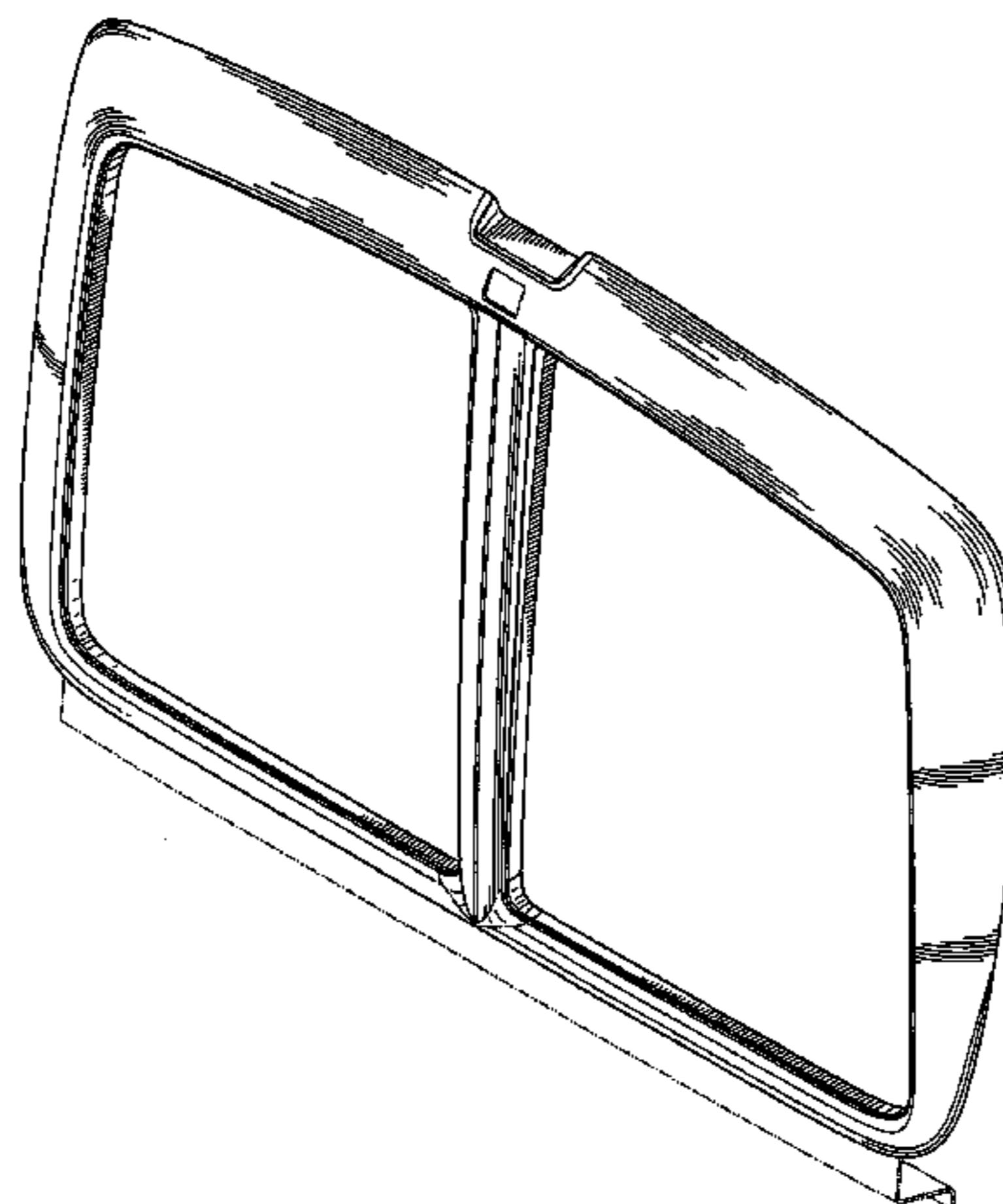
FIG. 5 is a bottom plan view of the grille surround for truck of FIG. 1;

FIG. 6 is a left side elevational view of the grille surround for truck of FIG. 1; and,

FIG. 7 is a right side elevational view of the grille surround for truck of FIG. 1.

The broken lines in the drawings form no part of the claimed design.

1 Claim, 4 Drawing Sheets



US D551,133 S

Page 2

U.S. PATENT DOCUMENTS

D424,993 S 5/2000 Farzam
D425,450 S 5/2000 Barraclough et al.
D425,835 S 5/2000 Cook et al.
D431,806 S 10/2000 Damon et al.
D433,981 S 11/2000 Davis et al.
D434,347 S 11/2000 Damon et al.
D435,816 S 1/2001 Delashaw et al.
D436,563 S 1/2001 Delashaw et al.
D436,894 S 1/2001 Barraclough et al.
D437,258 S 2/2001 Meryman et al.
D437,570 S 2/2001 Meryman et al.
D450,277 S 11/2001 Onopa
D452,464 S 12/2001 Beigel
D455,381 S 4/2002 Maher et al.
D460,023 S 7/2002 Beigel
D465,749 S 11/2002 Beigel
D466,450 S 12/2002 Maher et al.
D475,657 S 6/2003 Wong et al.
D484,077 S 12/2003 Conway et al.
D486,102 S 2/2004 Perfetti et al.
D488,112 S 4/2004 Satou
D490,749 S 6/2004 Satou et al.

D492,921 S 7/2004 Perfetti et al.
D494,900 S 8/2004 Satou
D497,581 S 10/2004 Conway et al.
D502,897 S 3/2005 Delashaw et al.
D502,901 S 3/2005 Delashaw et al.
D504,642 S 5/2005 Perfetti et al.
D515,474 S 2/2006 Wu
D530,247 S * 10/2006 Angelo et al. D12/163

OTHER PUBLICATIONS

Kenworth Truck Company W900 brochure, Kirkland, Wash, 2002.
Kenworth Truck Company W900 brochure, Kirkland, Wash, 1996.
Kenworth Truck Company T2000 brochure, Kirkland, Wash, 2005.
Kenworth Truck Company T2000 brochure, Kirkland, Wash, 2002.
Kenworth Truck Company T800 brochure, Kirkland, Wash, 2005.
Kenworth Truck Company T800 brochure, Kirkland, Wash, 2003.
Kenworth Truck Company T800 brochure, Kirkland, Wash, 2002.
Kenworth Truck Company T600 brochure, Kirkland, Wash, 2005.
Kenworth Truck Company T600 brochure, Kirkland, Wash, 2002.
Kenworth Truck Company T600 brochure, Kirkland, Wash, 1996.
Kenworth Truck Company T300 brochure, Kirkland, Wash, 2005.
Kenworth Truck Company T300 brochure, Kirkland, Wash, 2001.

* cited by examiner

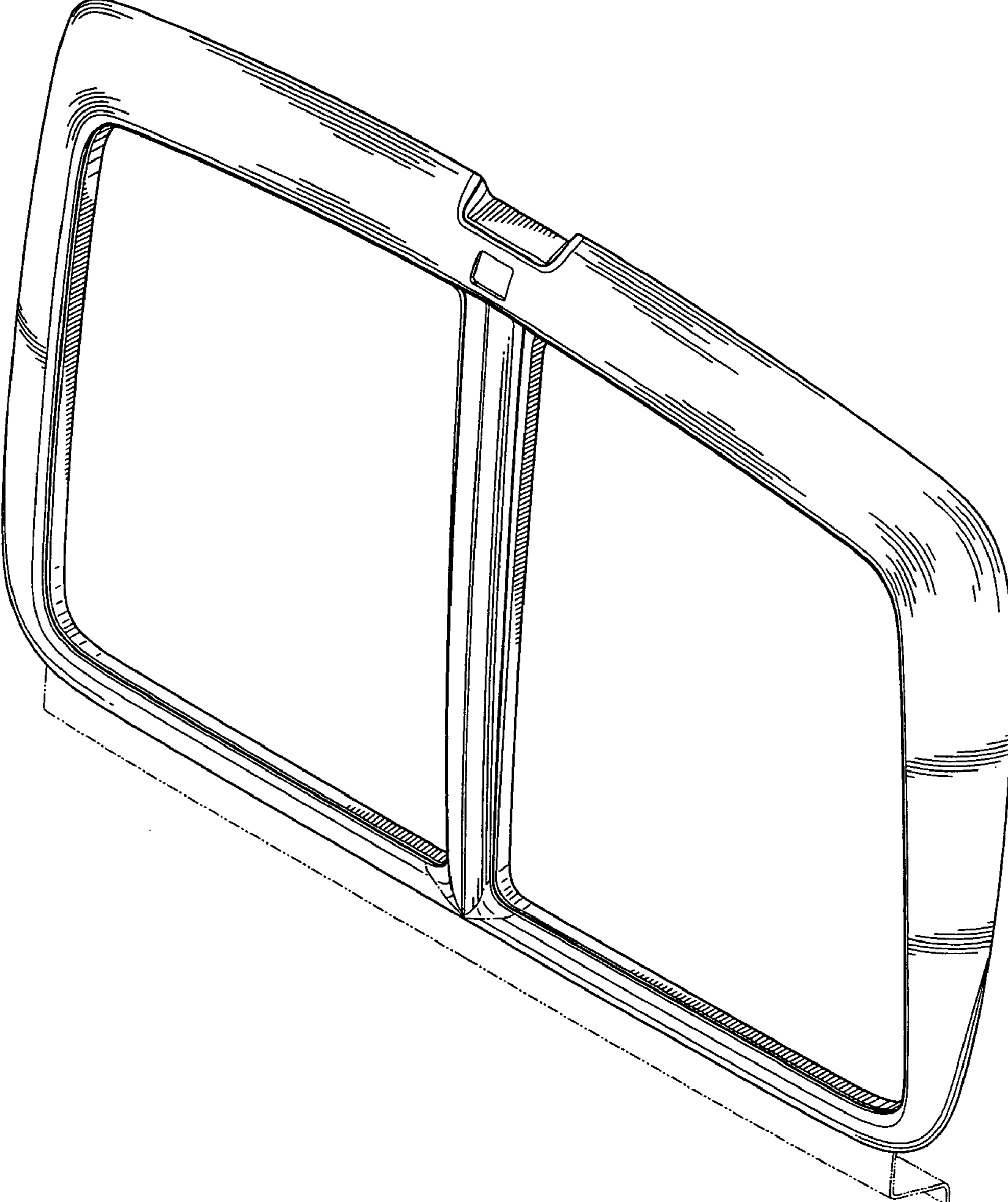


Fig. 1.

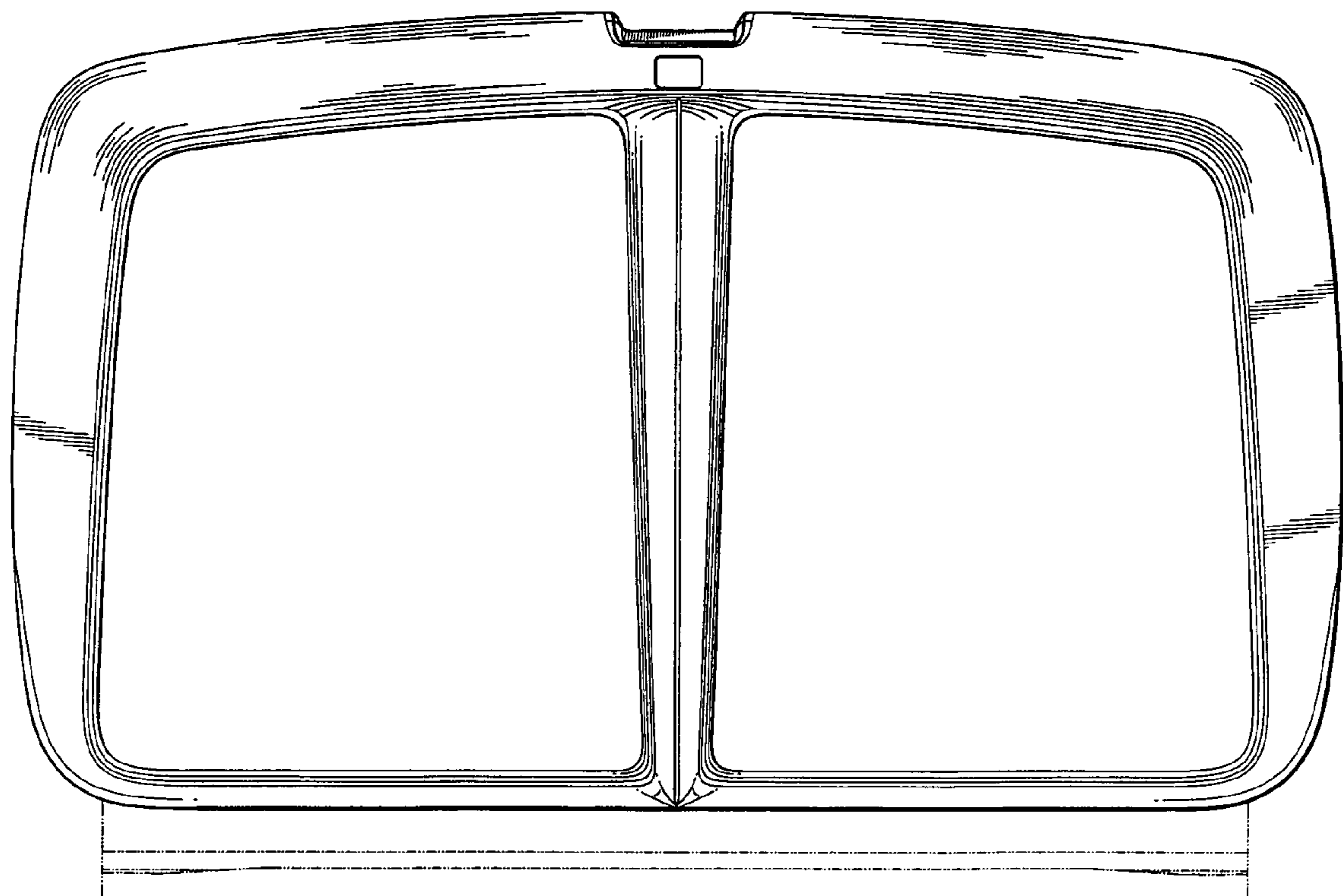


Fig. 2.

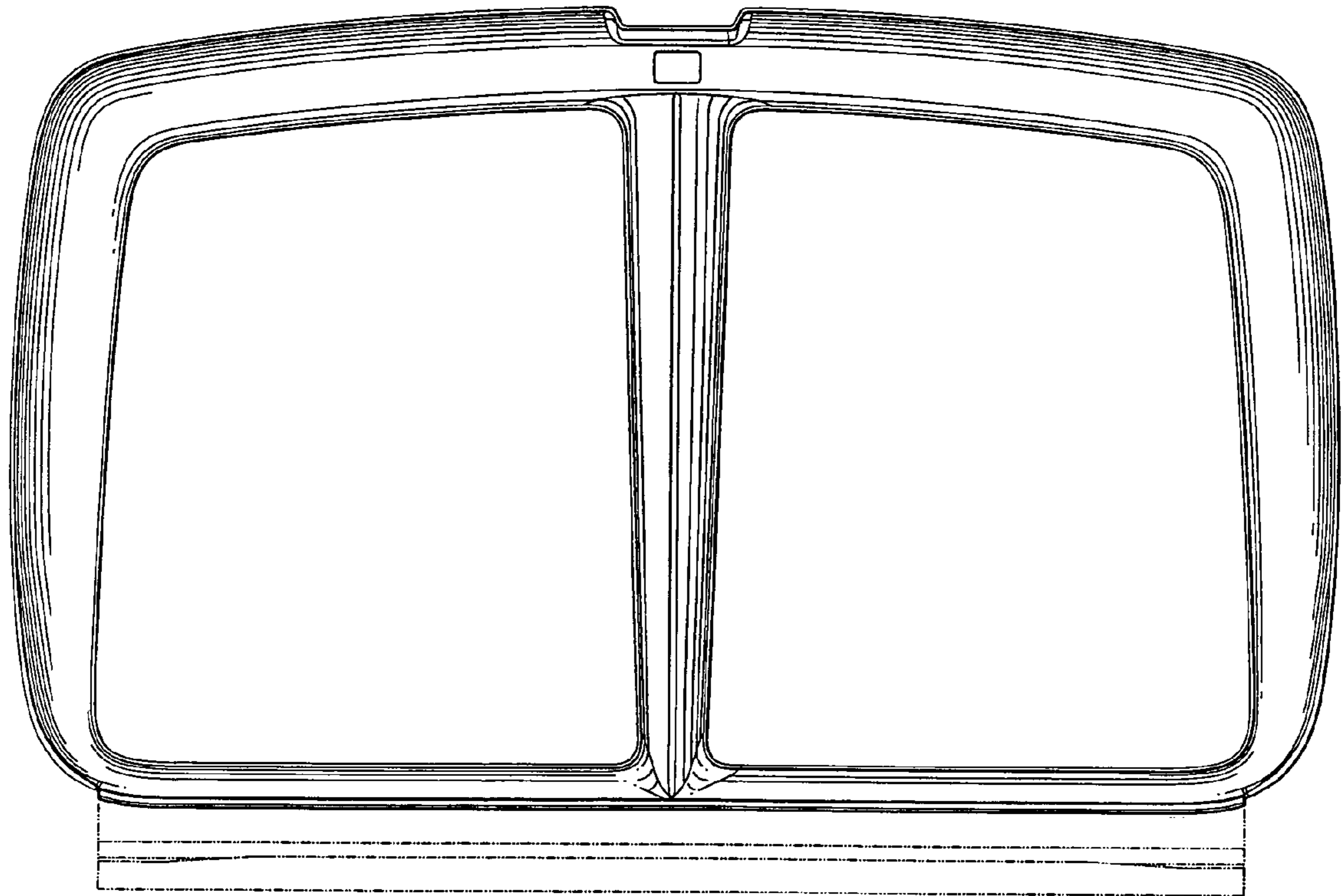


Fig. 3.

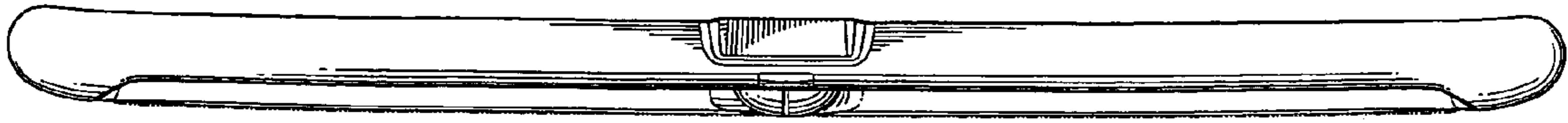


Fig. 4.

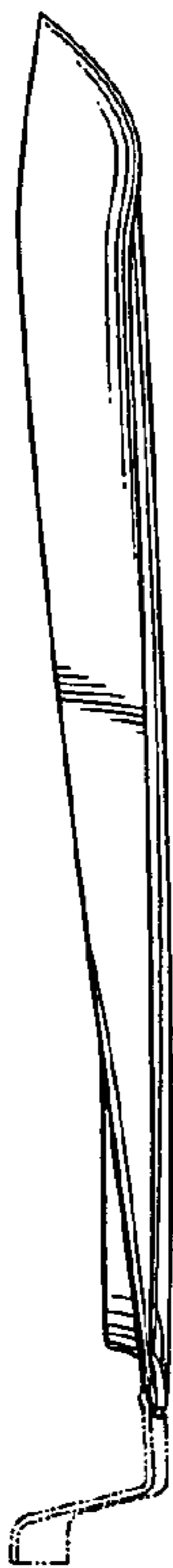


Fig. 6.

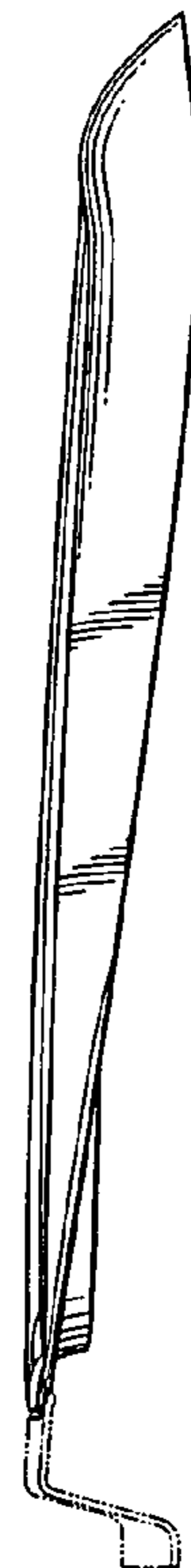


Fig. 7.

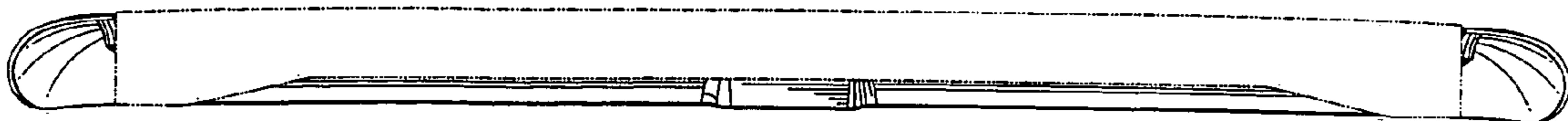


Fig. 5.