



US00D551132S

(12) **United States Design Patent**  
**Kroeker**

(10) **Patent No.:** **US D551,132 S**

(45) **Date of Patent:** **\*\* Sep. 18, 2007**

(54) **VEHICLE SUSPENSION SHOCK ABSORBER MOUNT**

2002/0041075 A1\* 4/2002 Kobayashi et al. ... 280/124.155  
\* cited by examiner

(76) Inventor: **Kent L. Kroeker**, P.O. Box 2628,  
Valley Center, CA (US) 92082

*Primary Examiner*—Doris Clark  
*Assistant Examiner*—Michael Pratt  
(74) *Attorney, Agent, or Firm*—Loyal McKinley Hanson

(\*\*) Term: **14 Years**

(57) **CLAIM**

(21) Appl. No.: **29/240,119**

I claim the ornamental design for a vehicle suspension shock absorber mount, as shown and described.

(22) Filed: **Oct. 7, 2005**

(51) **LOC (8) Cl.** ..... **12-16**

(52) **U.S. Cl.** ..... **D12/159**

(58) **Field of Classification Search** ..... D12/159-161,  
D12/400.1, 110, 111, 114; 280/5.5-5.524;  
D15/148; 301/124.1-137; 267/2-7, 183-259,  
267/23-35, 36.1, 37.1-37.4, 38-53, 260-291,  
267/64.11-64.28, 66-98

See application file for complete search history.

**DESCRIPTION**

FIG. 1 of the drawings is a perspective view showing the top, front, and right side of a vehicle suspension shock absorber mount embodying the design of my invention;

FIG. 2 is a front view;

FIG. 3 is a top view;

FIG. 4 is right side view;

FIG. 5 is a left side view;

FIG. 6 is a back view;

FIG. 7 is a bottom view; and,

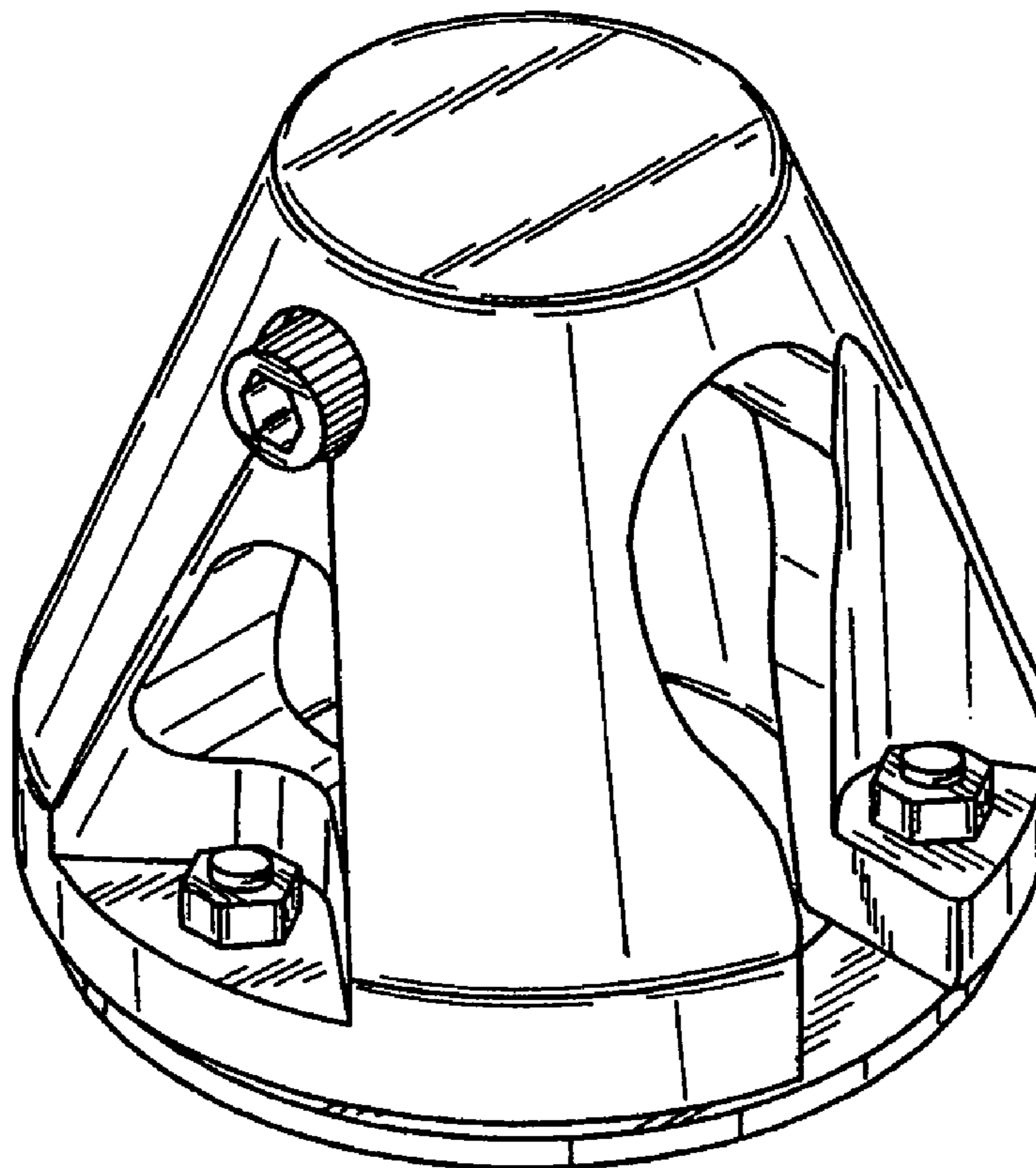
FIG. 8 is a reduced right side environmental view of the vehicle suspension shock absorber mount. The broken lines are for illustration only and form no part of the claimed invention.

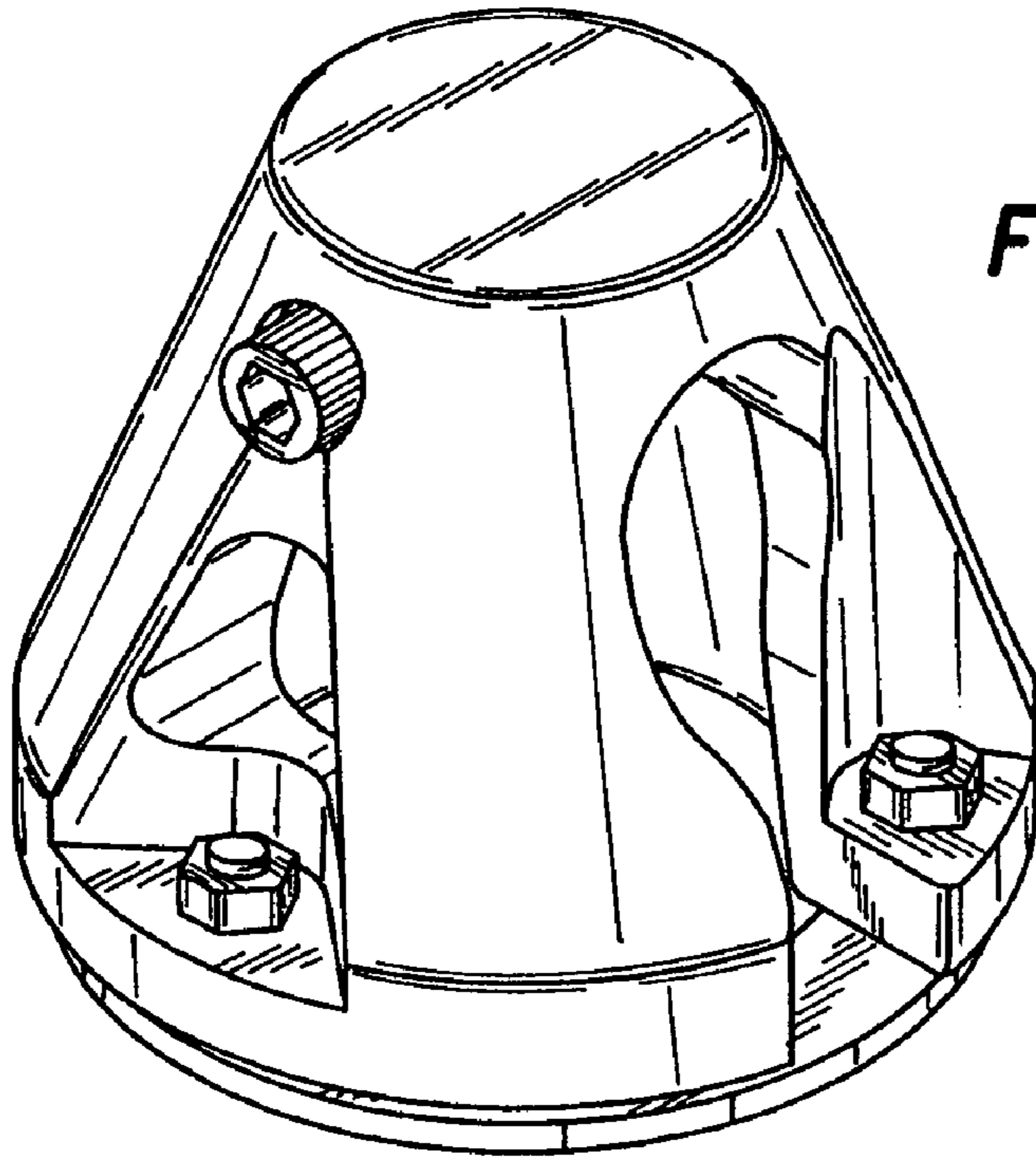
(56) **References Cited**

U.S. PATENT DOCUMENTS

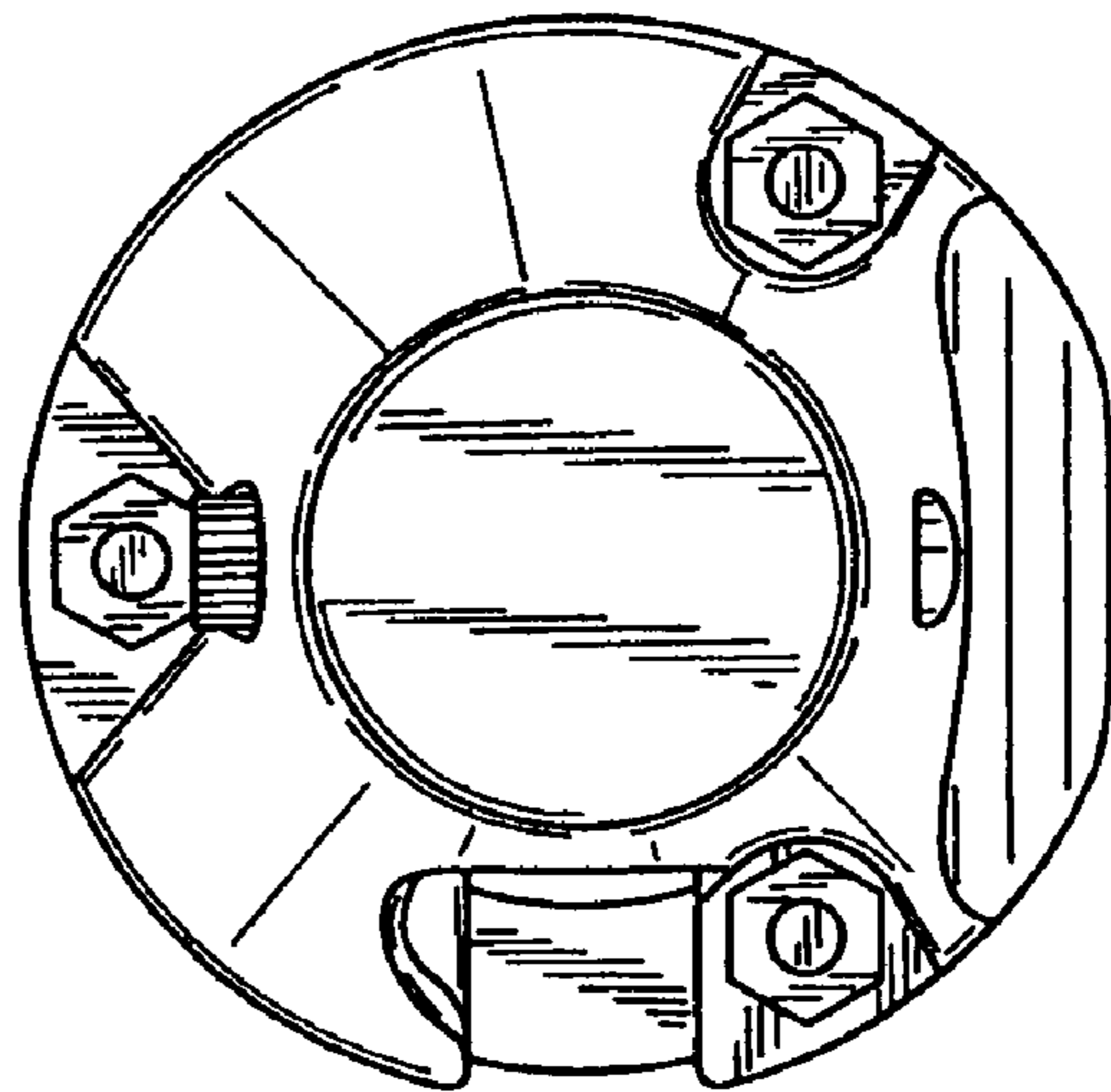
D352,258 S *	11/1994	Rudd et al. ....	D12/126
D371,334 S *	7/1996	Hotchkis et al. ....	D12/159
6,116,627 A *	9/2000	Kawabe et al. ....	280/124.15
D495,278 S	8/2004	Kroeker et al.	
7,077,371 B1 *	7/2006	Kroeker .....	248/205.1
7,137,636 B2 *	11/2006	Bennett .....	280/124.147

**1 Claim, 3 Drawing Sheets**

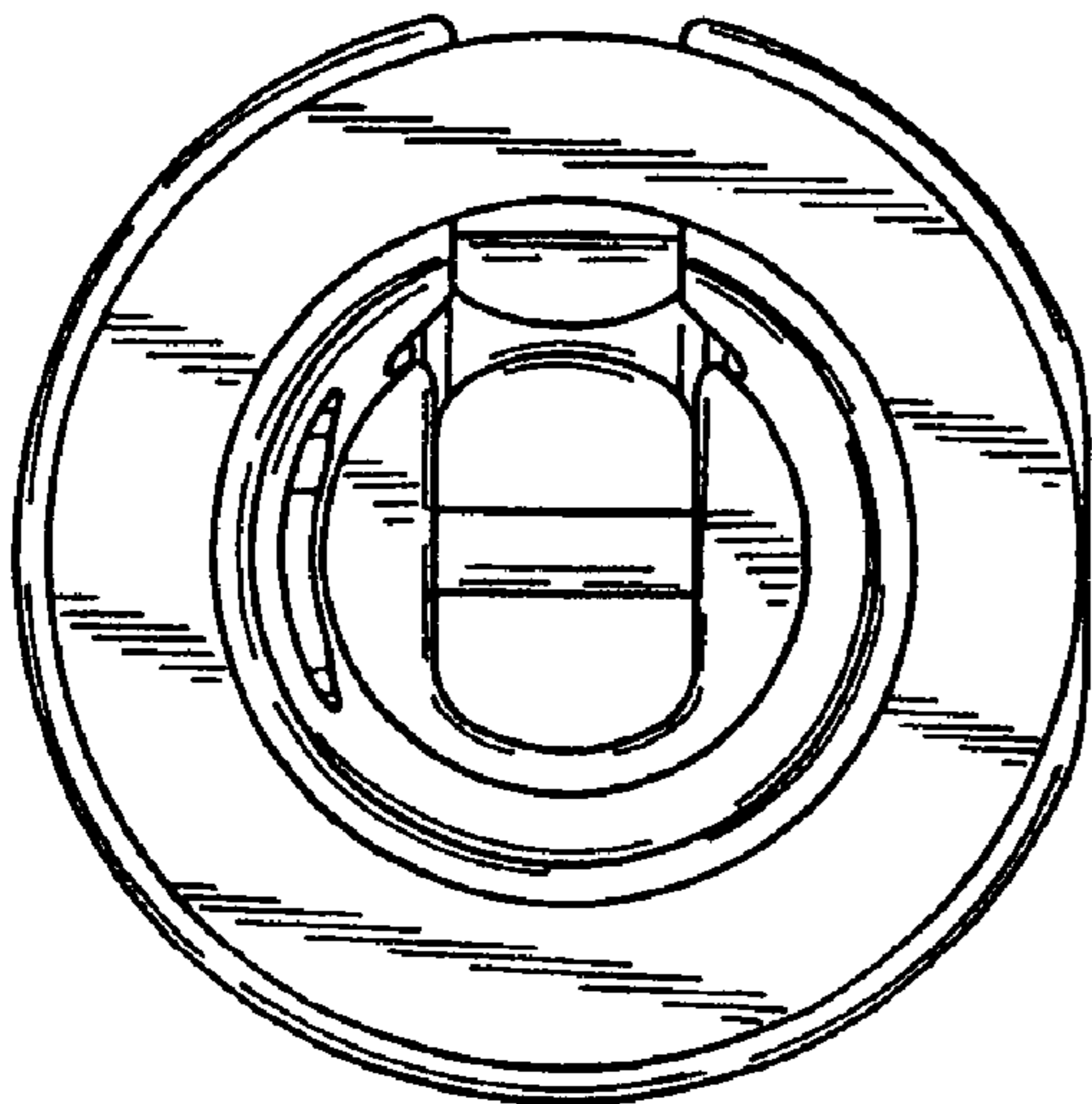




**FIG. 1**

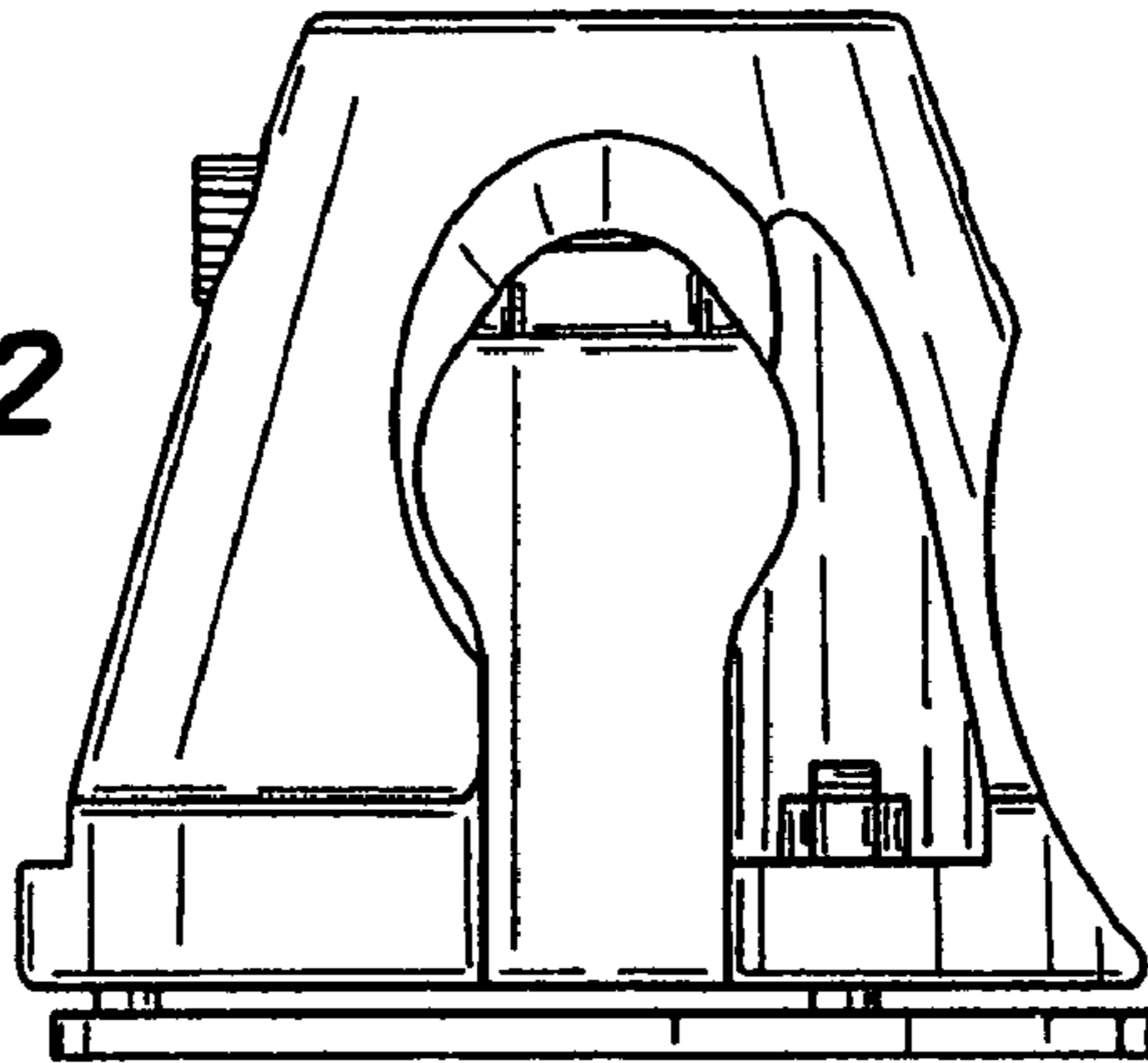


**FIG. 3**

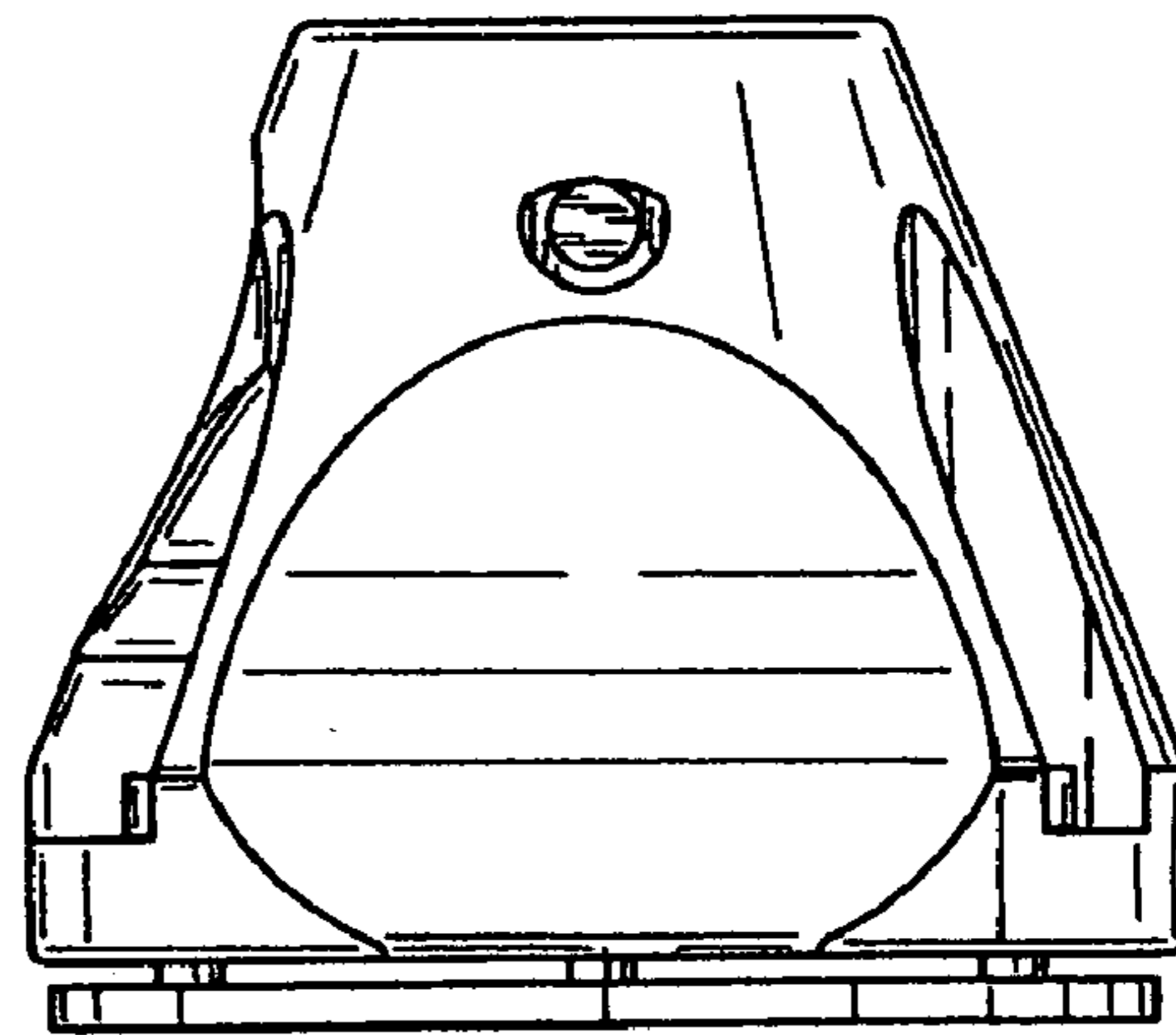
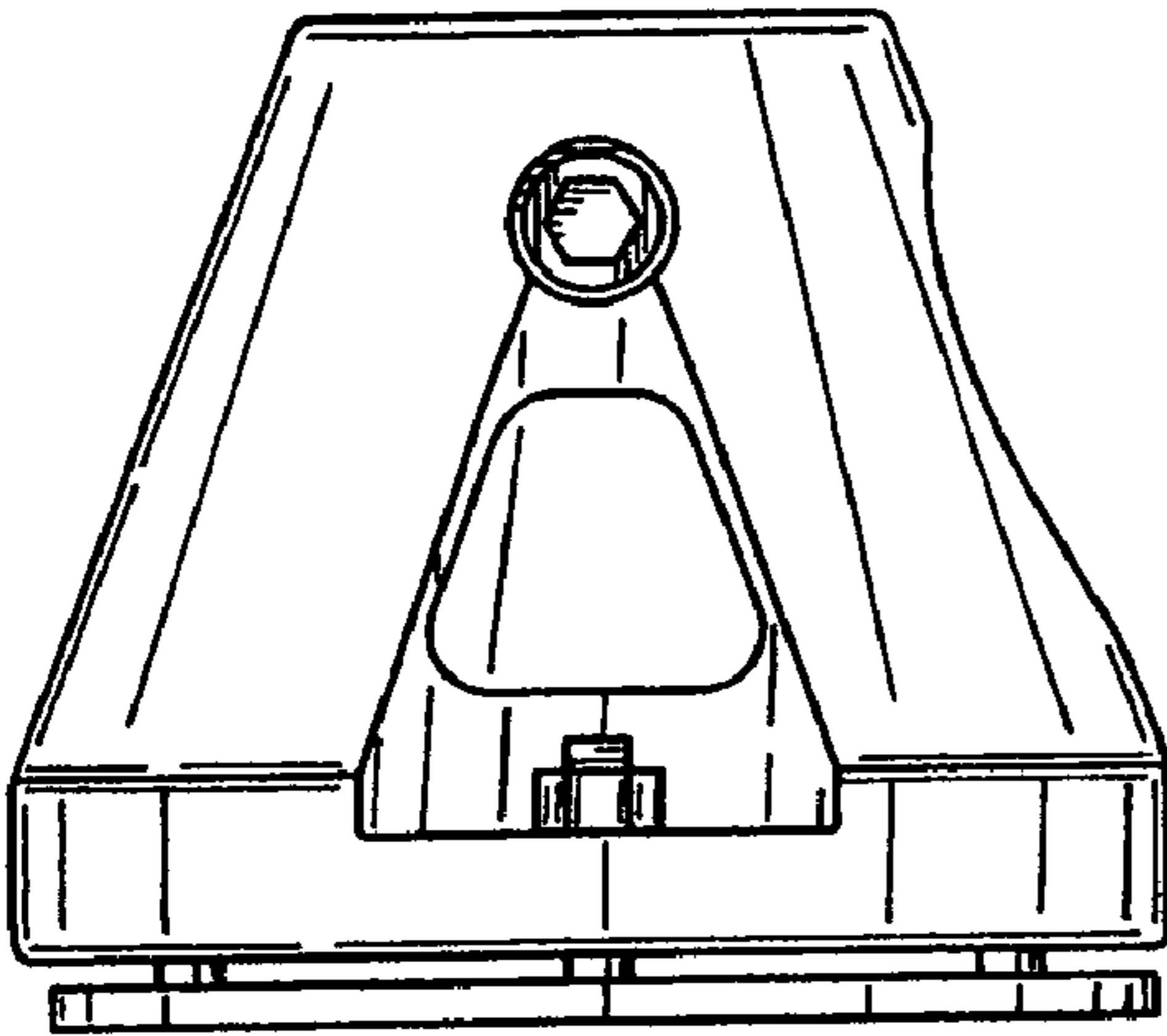


**FIG. 7**

**FIG. 2**

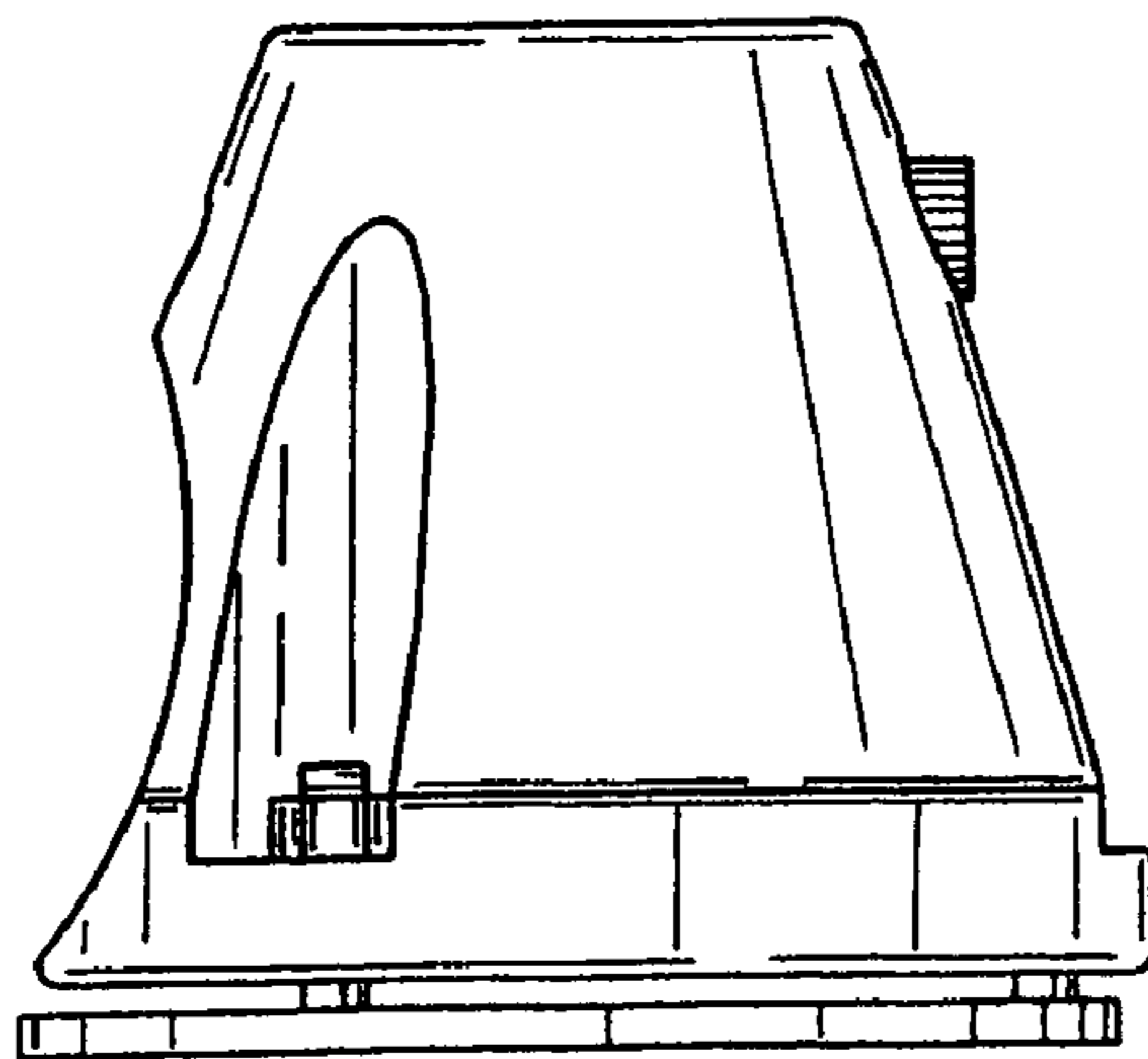


**FIG. 4**



**FIG. 5**

**FIG. 6**



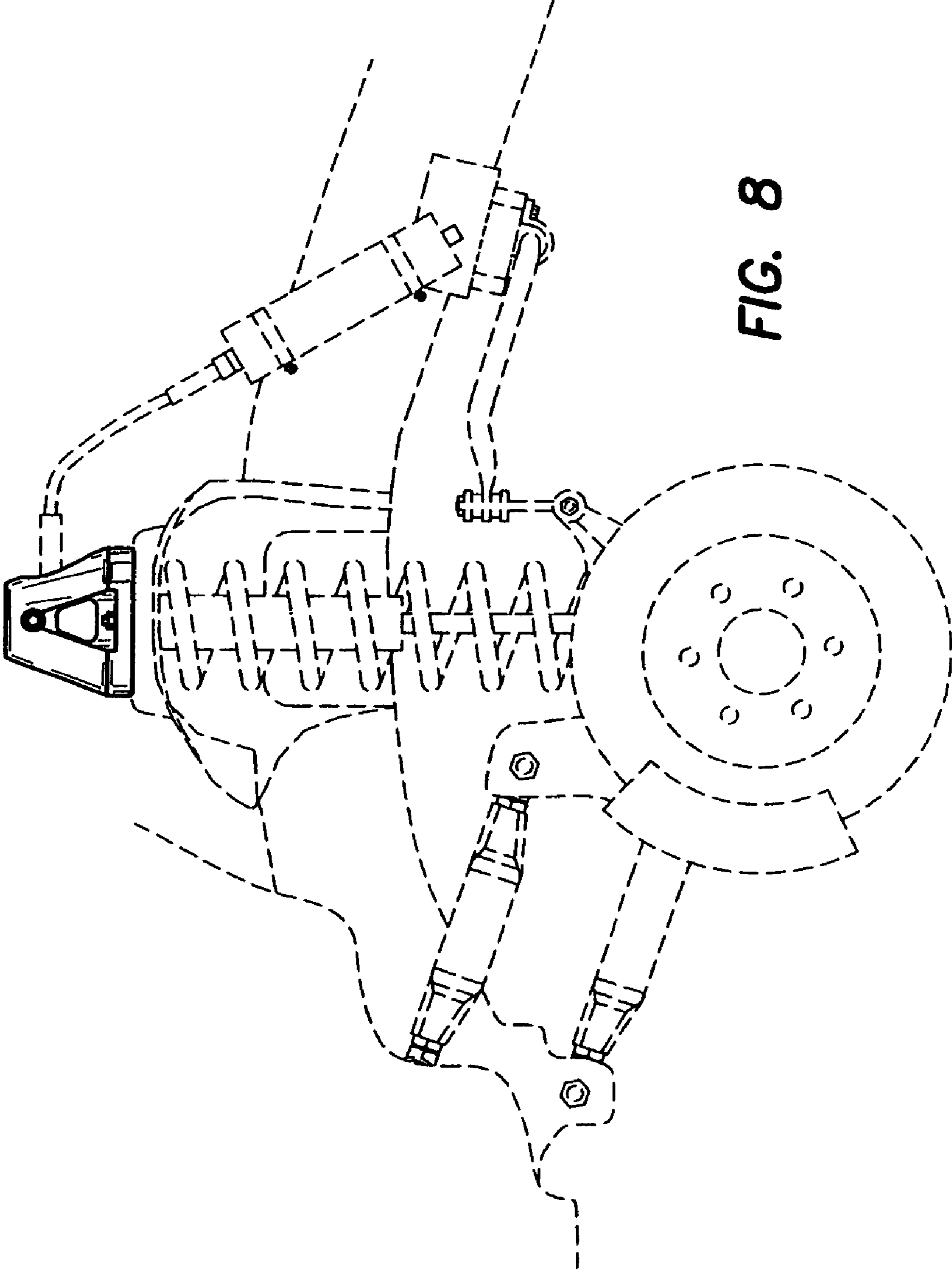


FIG. 8