



US00D551131S

(12) **United States Design Patent**
Arakawa

(10) **Patent No.:** **US D551,131 S**

(45) **Date of Patent:** **** Sep. 18, 2007**

(54) **REAR DERAILLEUR**

(75) Inventor: **Masayuki Arakawa**, Sakai (JP)

(73) Assignee: **Shimano Inc.**, Osaka (JP)

(**) Term: **14 Years**

(21) Appl. No.: **29/265,334**

(22) Filed: **Aug. 30, 2006**

(51) **LOC (8) Cl.** **12-11**

(52) **U.S. Cl.** **D12/124**

(58) **Field of Classification Search** D12/111,
D12/124; 474/78-82

See application file for complete search history.

(56) **References Cited**

U.S. PATENT DOCUMENTS

D432,056 S	*	10/2000	Hanamura	D12/124
D534,102 S	*	12/2006	Arakawa	D12/124
D534,103 S	*	12/2006	Arakawa	D12/124
D534,460 S	*	1/2007	Hanamura	D12/124
D536,282 S	*	2/2007	Masui	D12/124

OTHER PUBLICATIONS

Shimano, Bicycle Components Trade Sales & Support Manual Catalog, 2004, Aug. 2003, Shimano Inc, Osaka Japan, pp. 74,78,80,84,86,94,96,100,114,118,120,122,124,128,130,132.

* cited by examiner

Primary Examiner—Alan P. Douglas

Assistant Examiner—Linda Brooks

(74) *Attorney, Agent, or Firm*—Global IP Counselors, LLP

(57) **CLAIM**

The ornamental design for a rear derailleur, as shown and described.

DESCRIPTION

FIG. 1 is an outside perspective view of a rear derailleur in accordance with my new design;

FIG. 2 is an outside elevational view of the rear derailleur in accordance with my new design;

FIG. 3 is an inside elevational view of the rear derailleur in accordance with my new design;

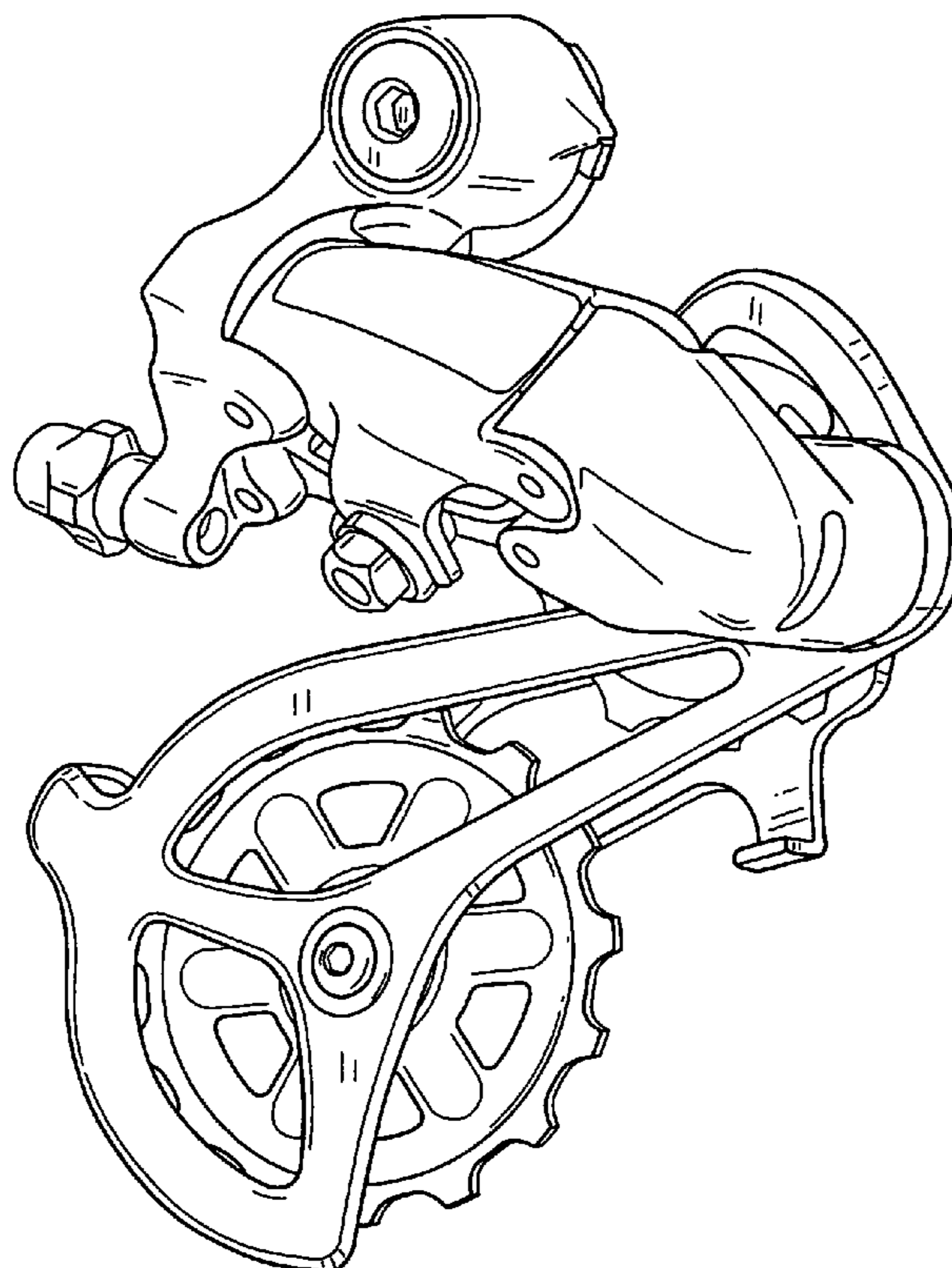
FIG. 4 is a front end elevational view of the rear derailleur in accordance with my new design;

FIG. 5 is a rear end elevational view of the rear derailleur in accordance with my new design;

FIG. 6 is a top plan view of the rear derailleur in accordance with my new design; and,

FIG. 7 is a bottom plan view of the rear derailleur in accordance with my new design.

1 Claim, 7 Drawing Sheets



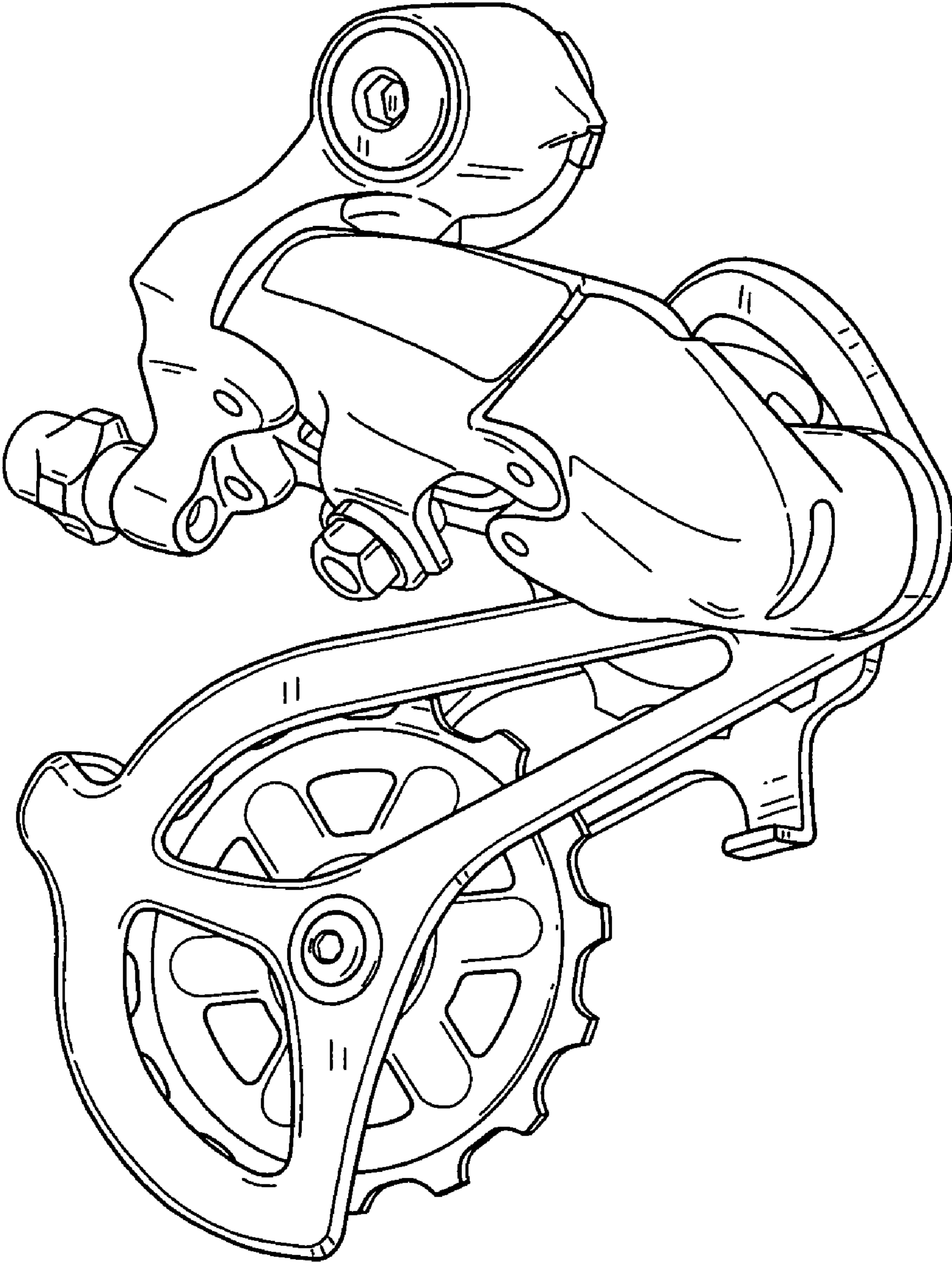


Fig. 1

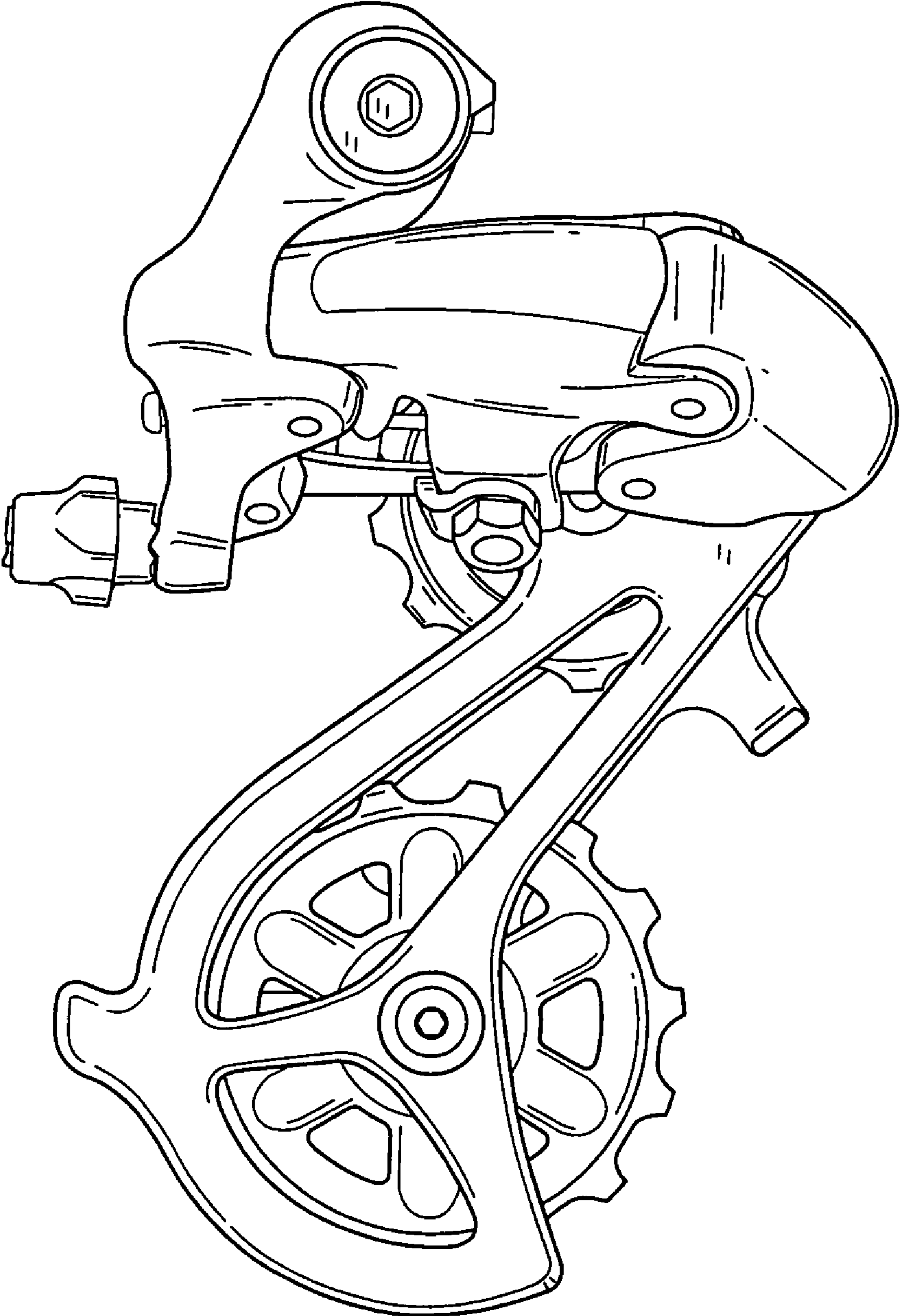


Fig. 2

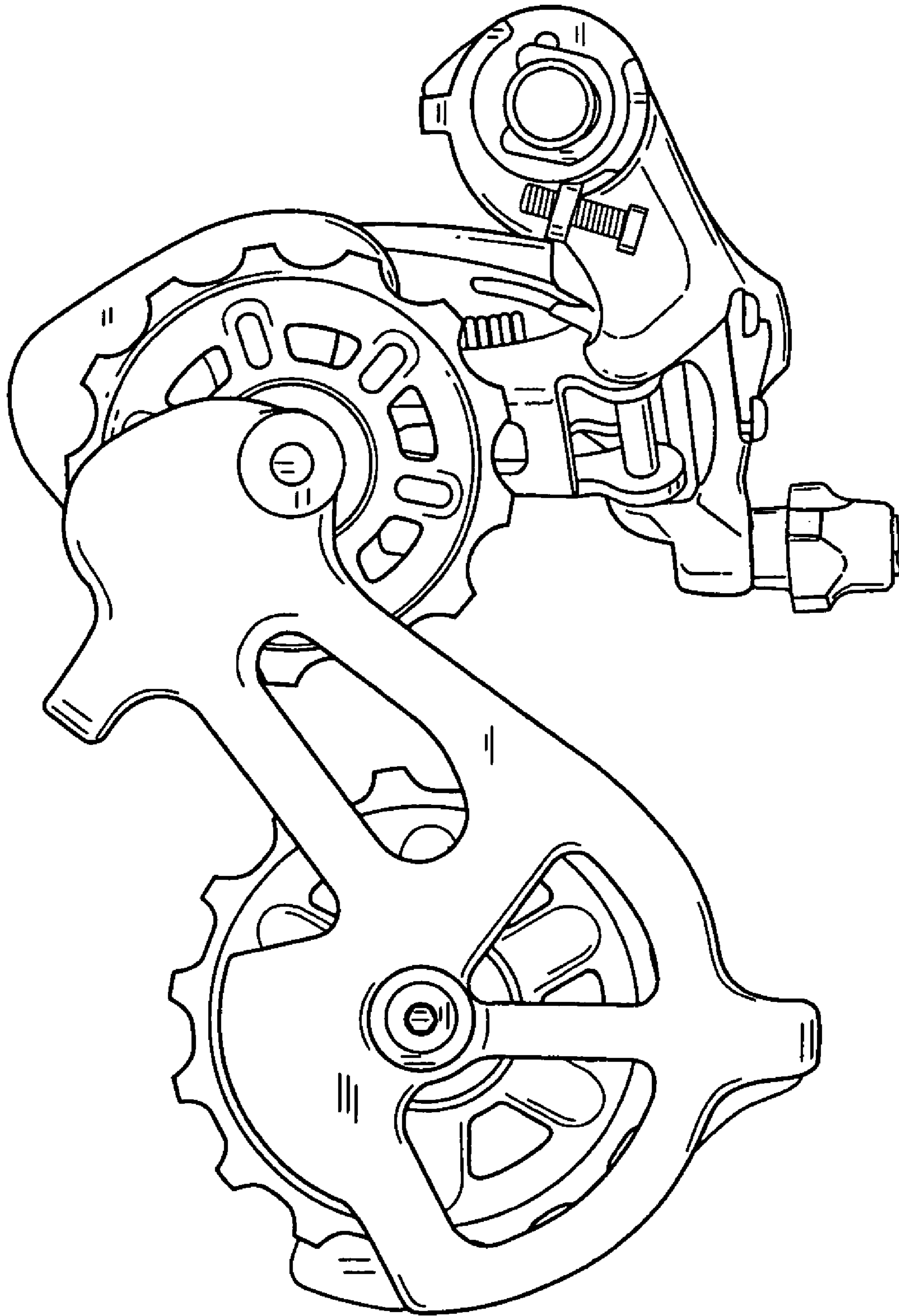


Fig. 3

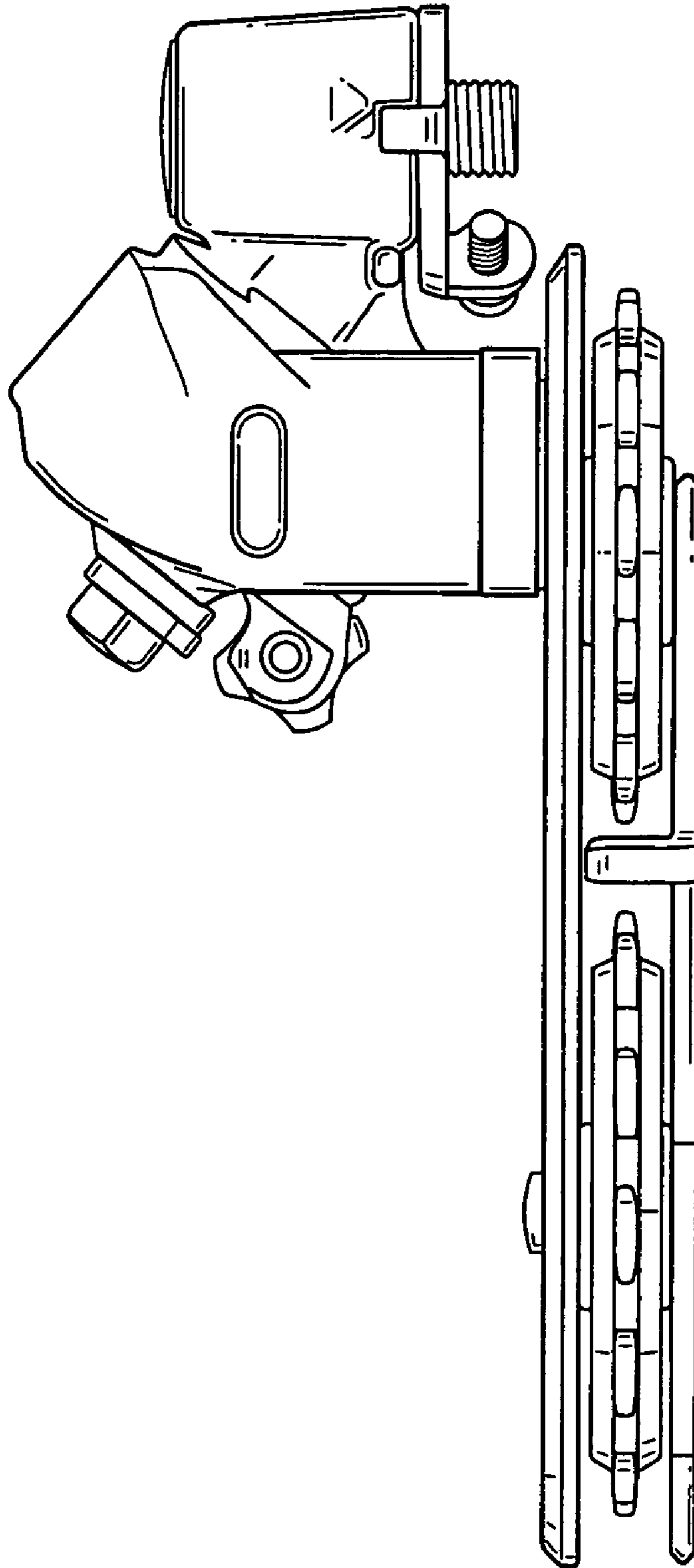


Fig. 4

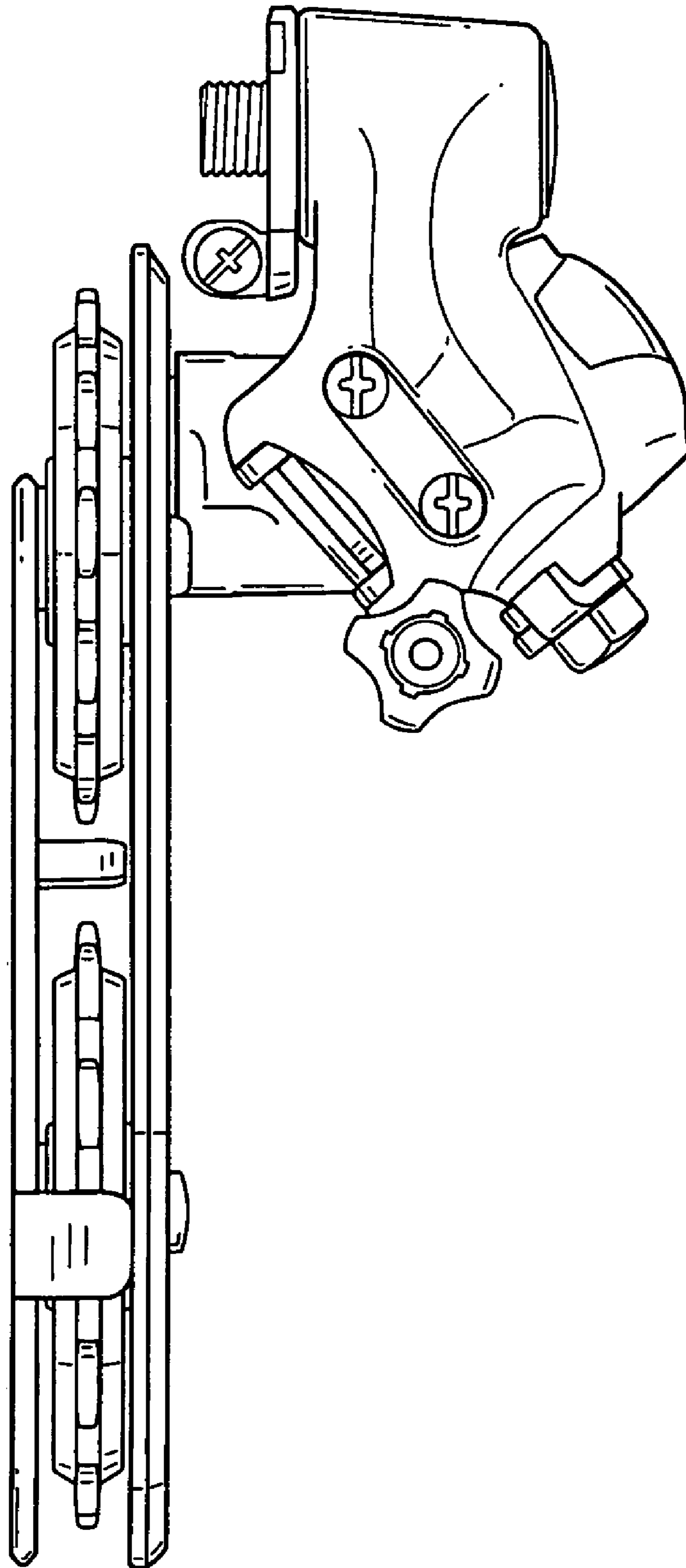


Fig. 5

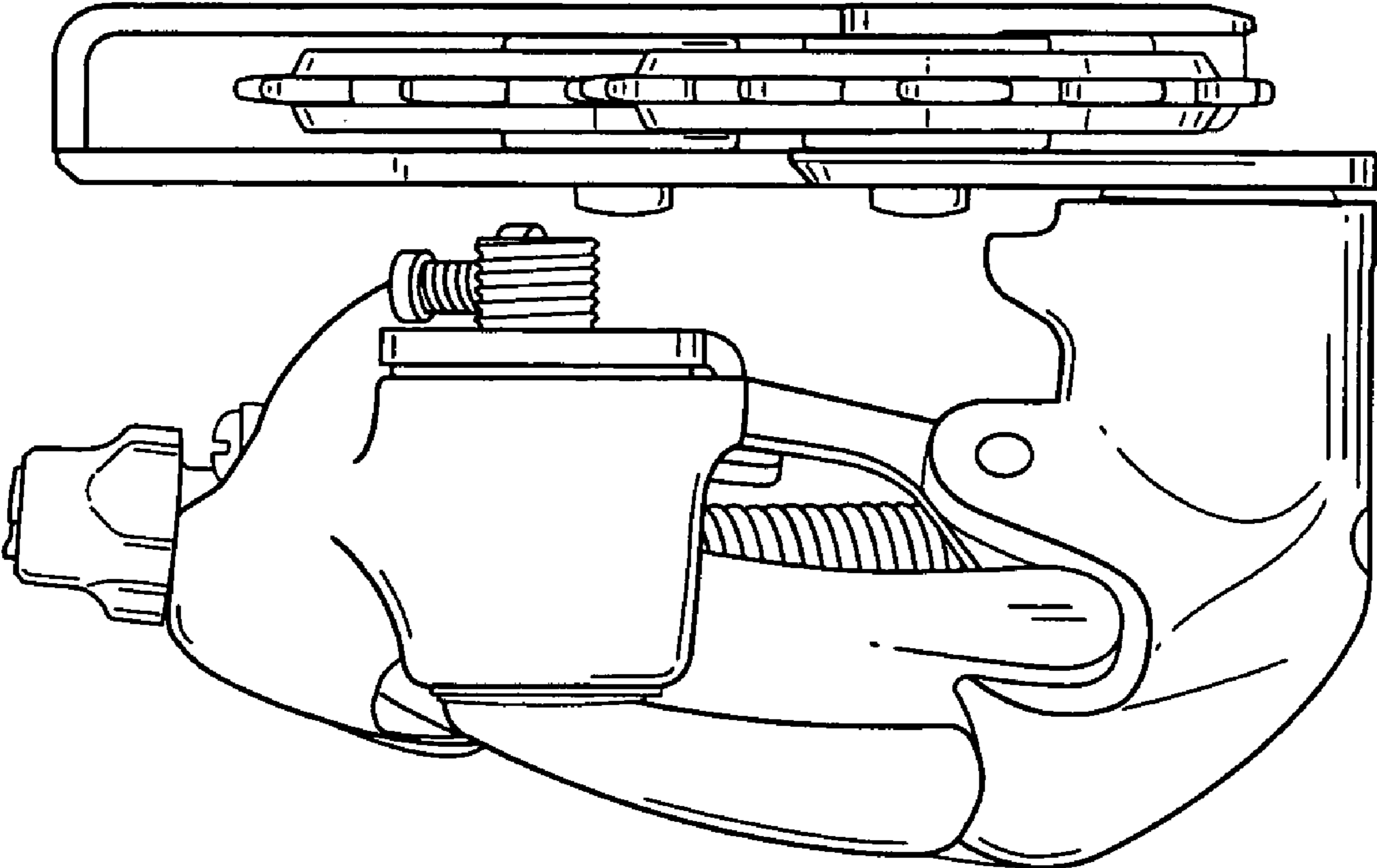


Fig. 6

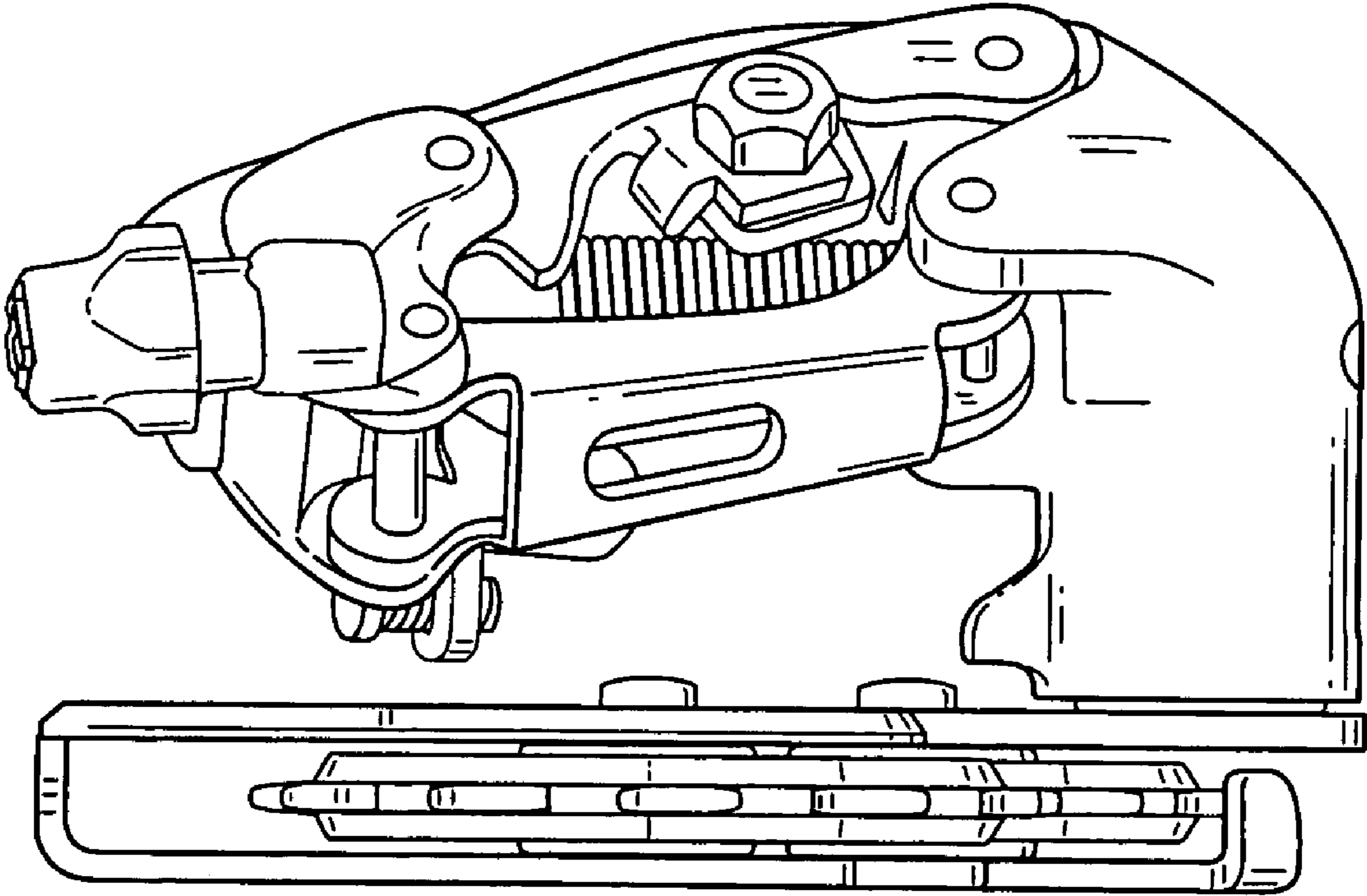


Fig. 7