



US00D551129S

(12) **United States Design Patent**  
**Takeda**

(10) **Patent No.:** **US D551,129 S**

(45) **Date of Patent:** **\*\* Sep. 18, 2007**

(54) **MOTORCYCLE**

(75) Inventor: **Susumu Takeda**, Tokyo-to (JP)

(73) Assignee: **Yamaha Hatsudoki Kabushiki Kaisha**  
(JP)

(\*\*) Term: **14 Years**

(21) Appl. No.: **29/249,011**

(22) Filed: **Sep. 15, 2006**

(51) **LOC (8) Cl.** ..... **12-11**

(52) **U.S. Cl.** ..... **D12/110**

(58) **Field of Classification Search** ..... D12/110;  
180/219, 220, 225, 229

See application file for complete search history.

(56) **References Cited**

**U.S. PATENT DOCUMENTS**

D504,844 S	*	5/2005	Sasanami	.....	D12/110
D517,958 S	*	3/2006	Matsumura et al.	.....	D12/110
D531,551 S	*	11/2006	Takeda	.....	D12/110
D535,917 S	*	1/2007	Tamura	.....	D12/110

\* cited by examiner

*Primary Examiner*—Cathron C. Brooks

*Assistant Examiner*—Linda Brooks

(74) *Attorney, Agent, or Firm*—Ostrolenk, Faber, Gerb & Soffen, LLP

(57) **CLAIM**

The ornamental design for a motorcycle, as shown.

**DESCRIPTION**

FIG. 1 is a front, left side perspective view of a motorcycle showing my new design;

FIG. 2 is a rear right side perspective view thereof;

FIG. 3 is a left side view thereof;

FIG. 4 is a right side view thereof;

FIG. 5 is a front side view thereof;

FIG. 6 is a rear view thereof; and

FIG. 7 is a top view thereof; and,

FIG. 8 is a bottom view thereof.

**1 Claim, 4 Drawing Sheets**

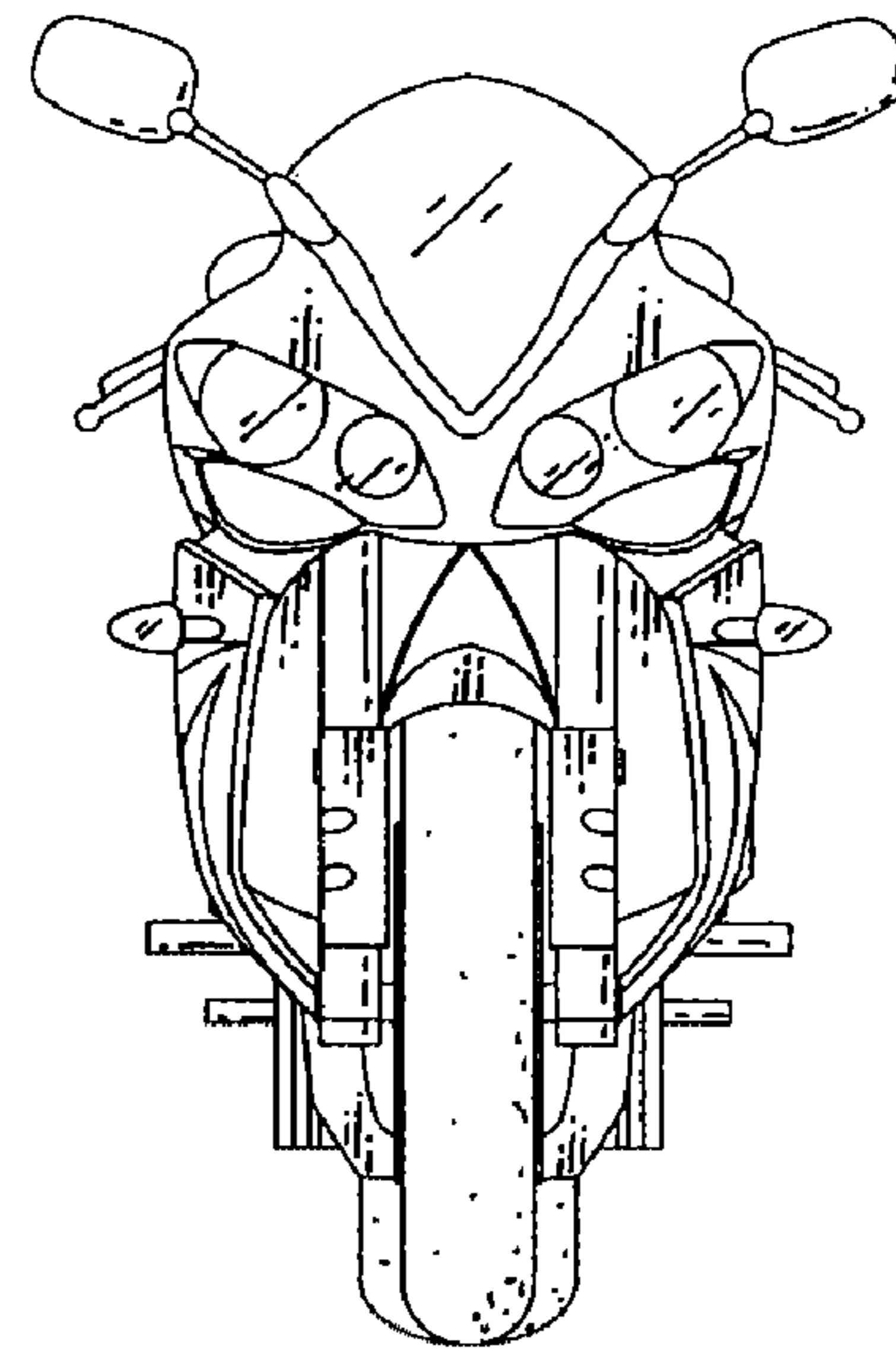
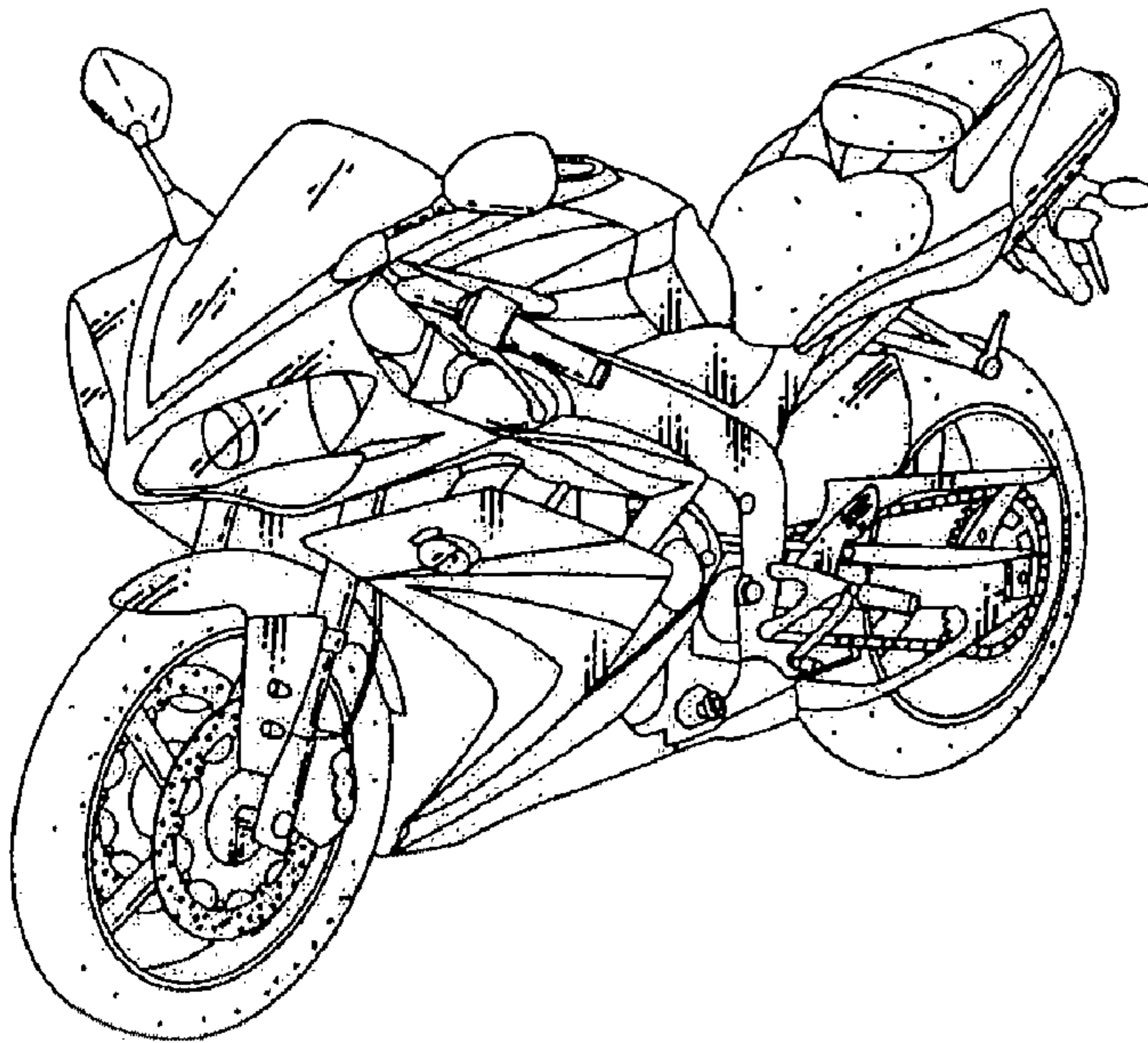


Figure 1

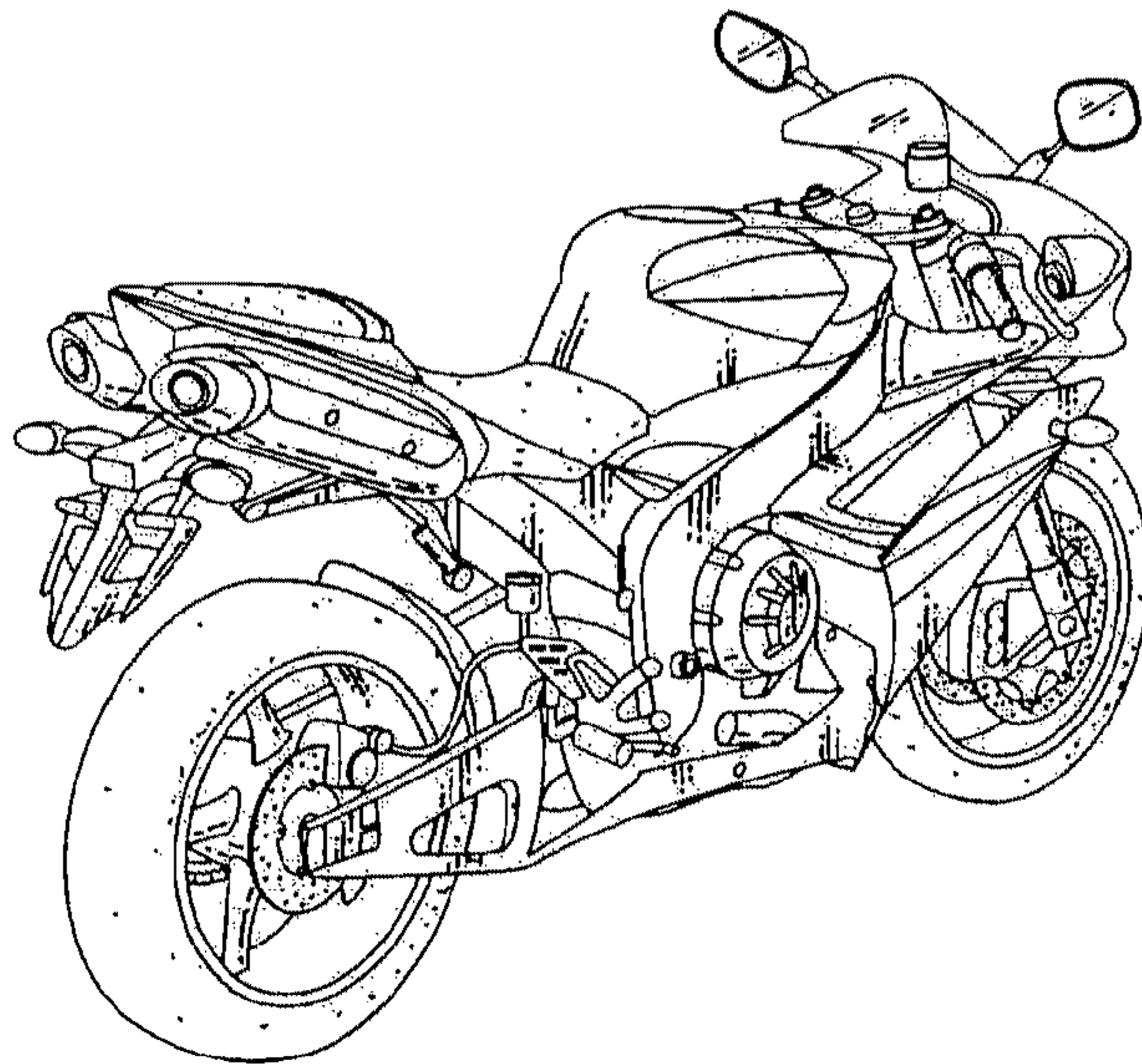
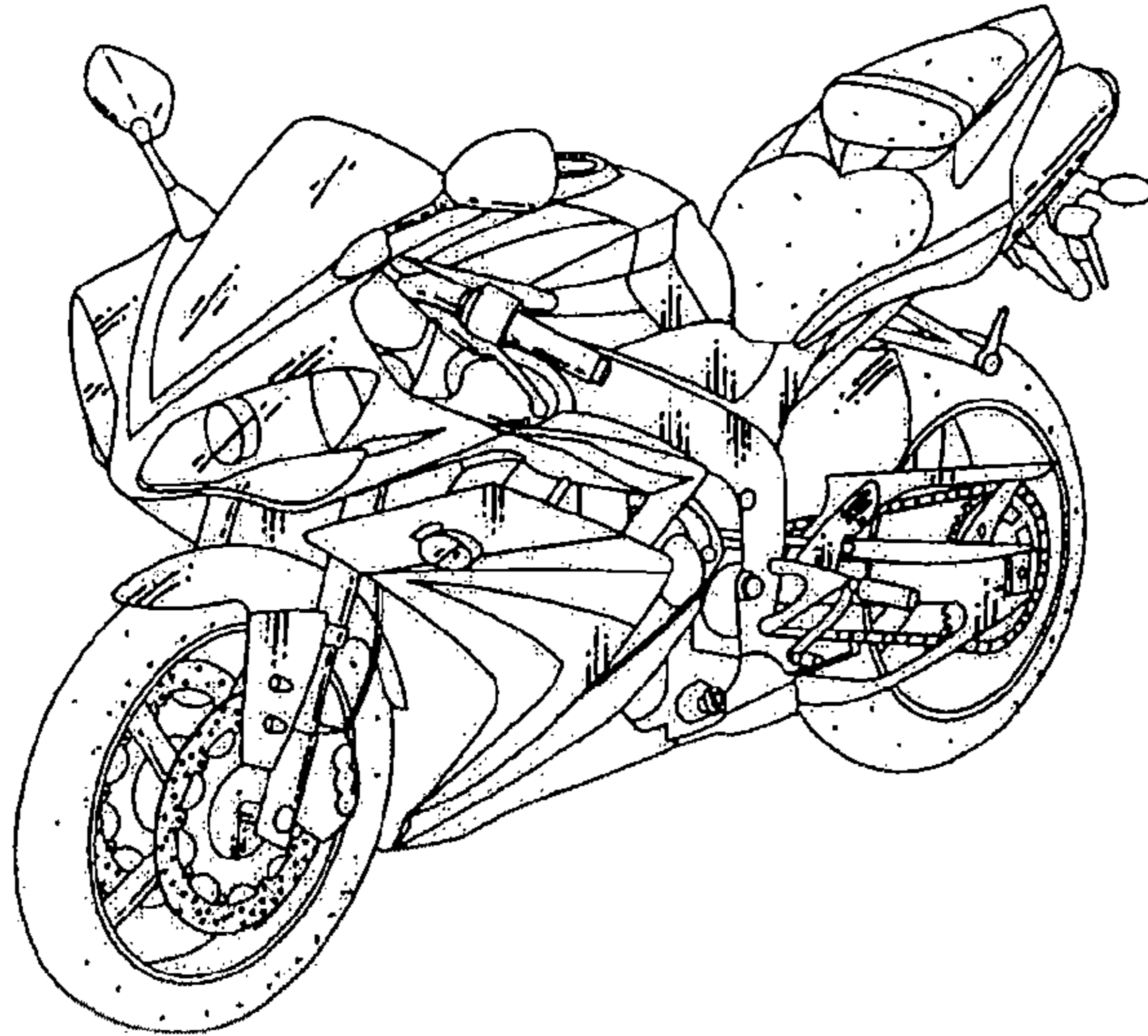


Figure 2

Figure 3

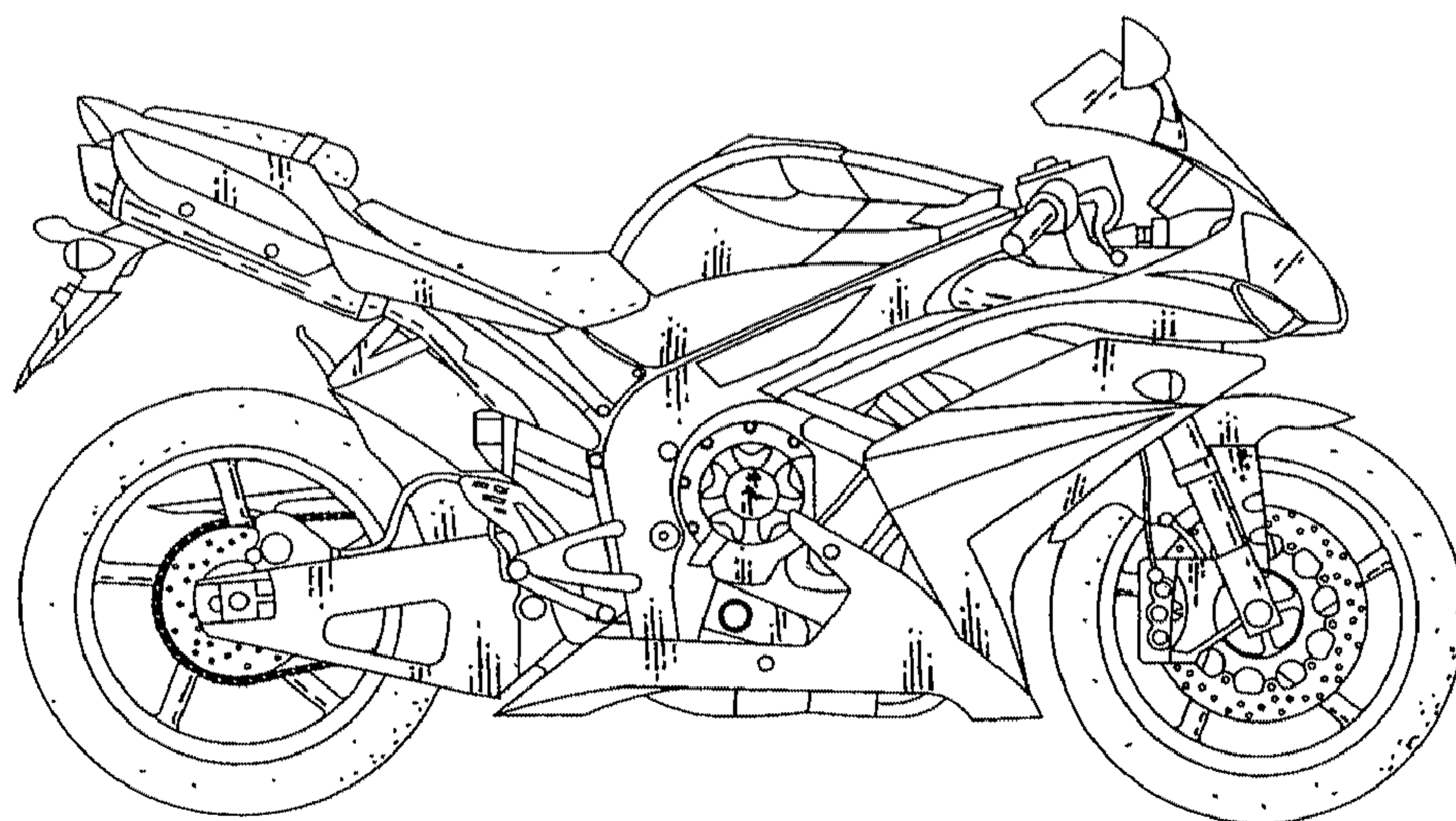
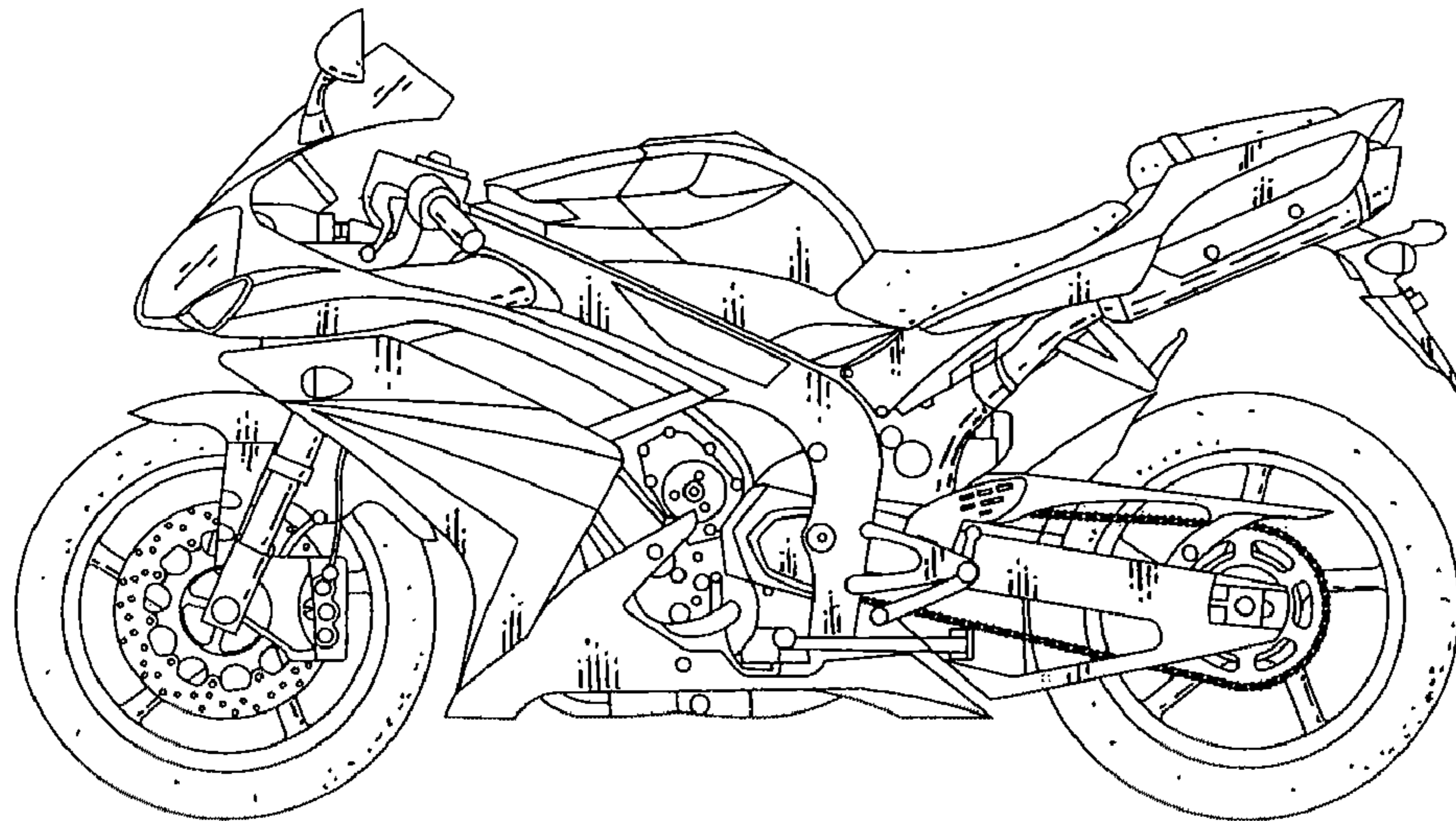


Figure 4

Figure 5

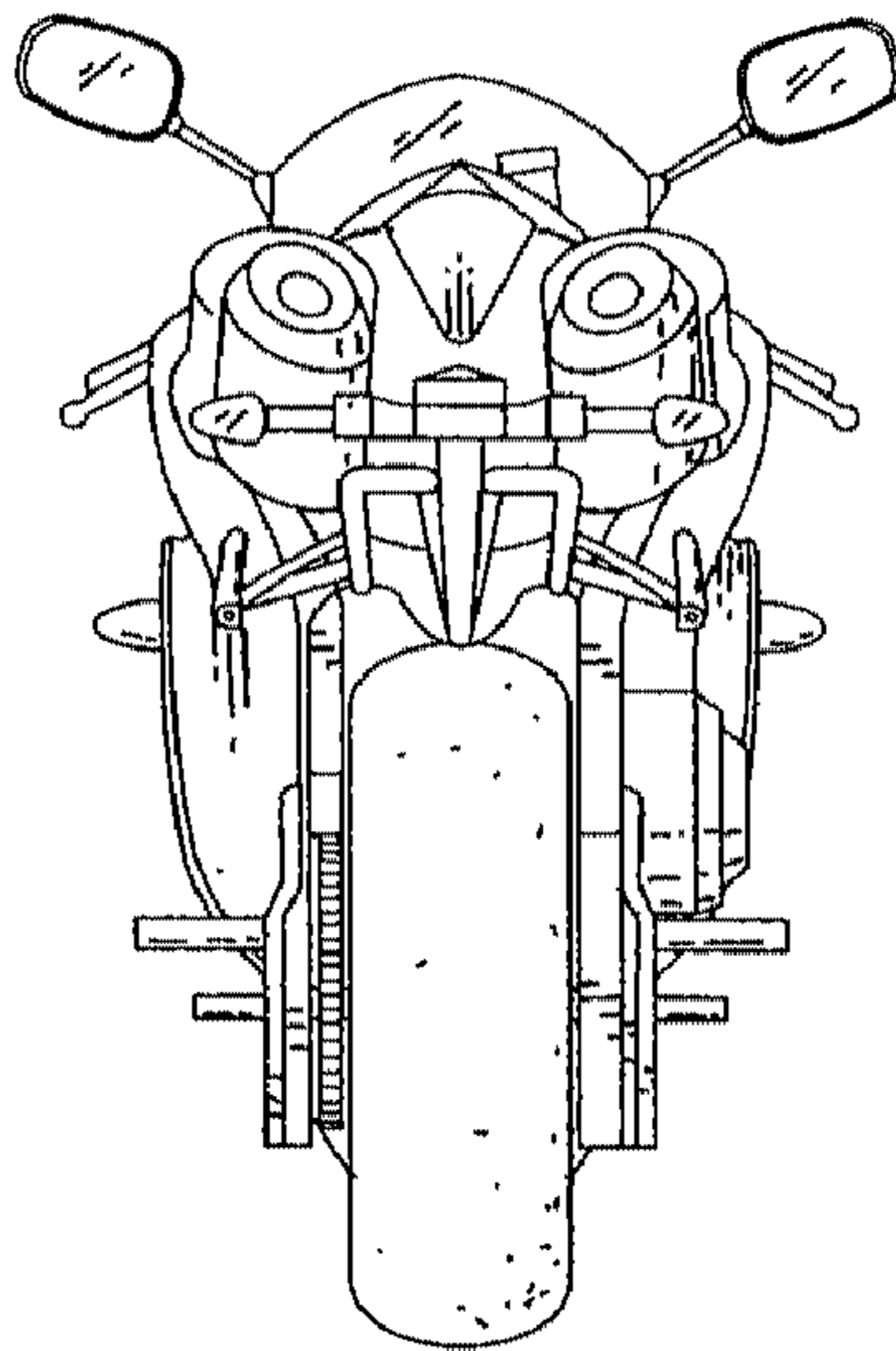
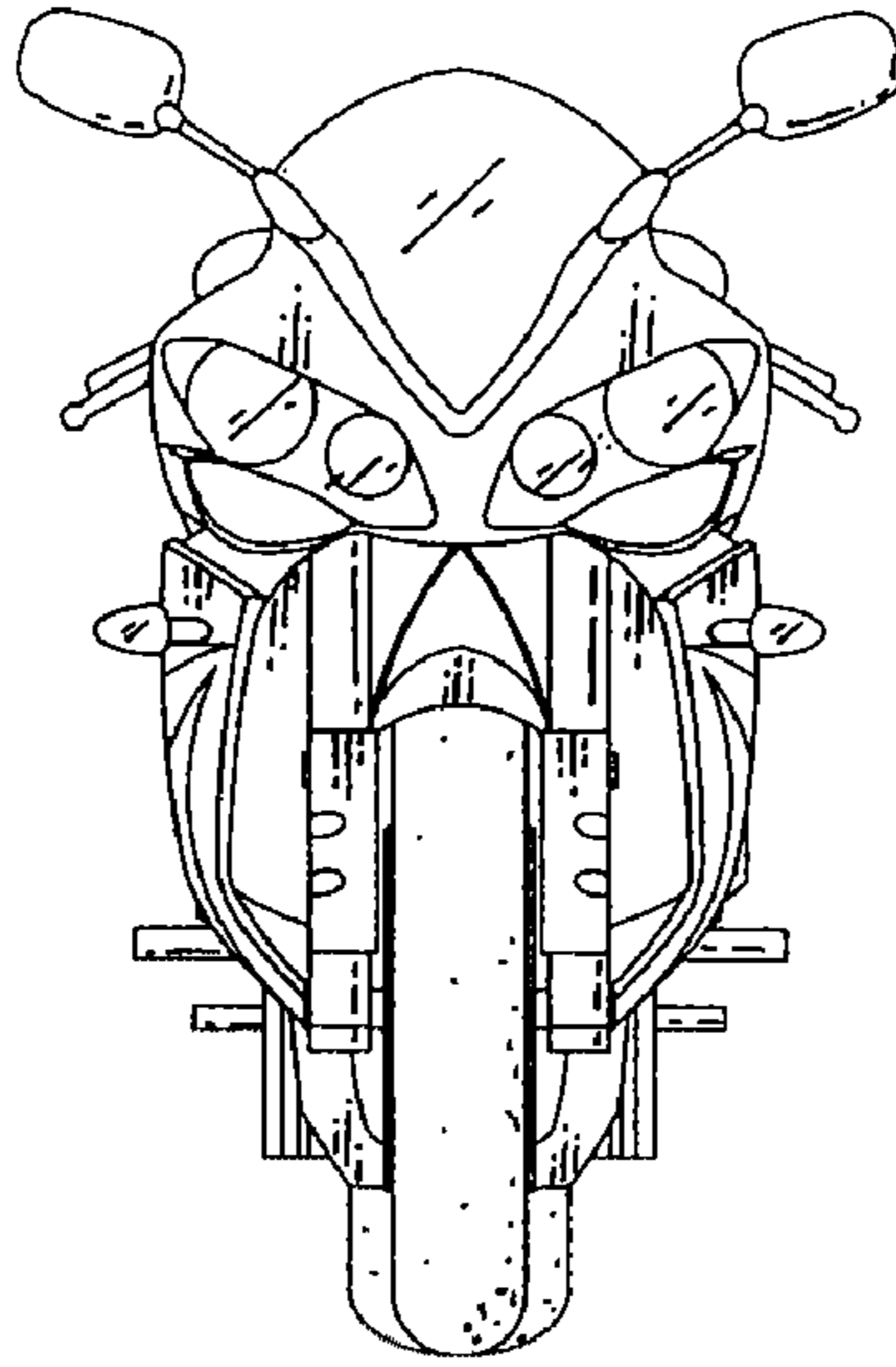


Figure 6

Figure 7

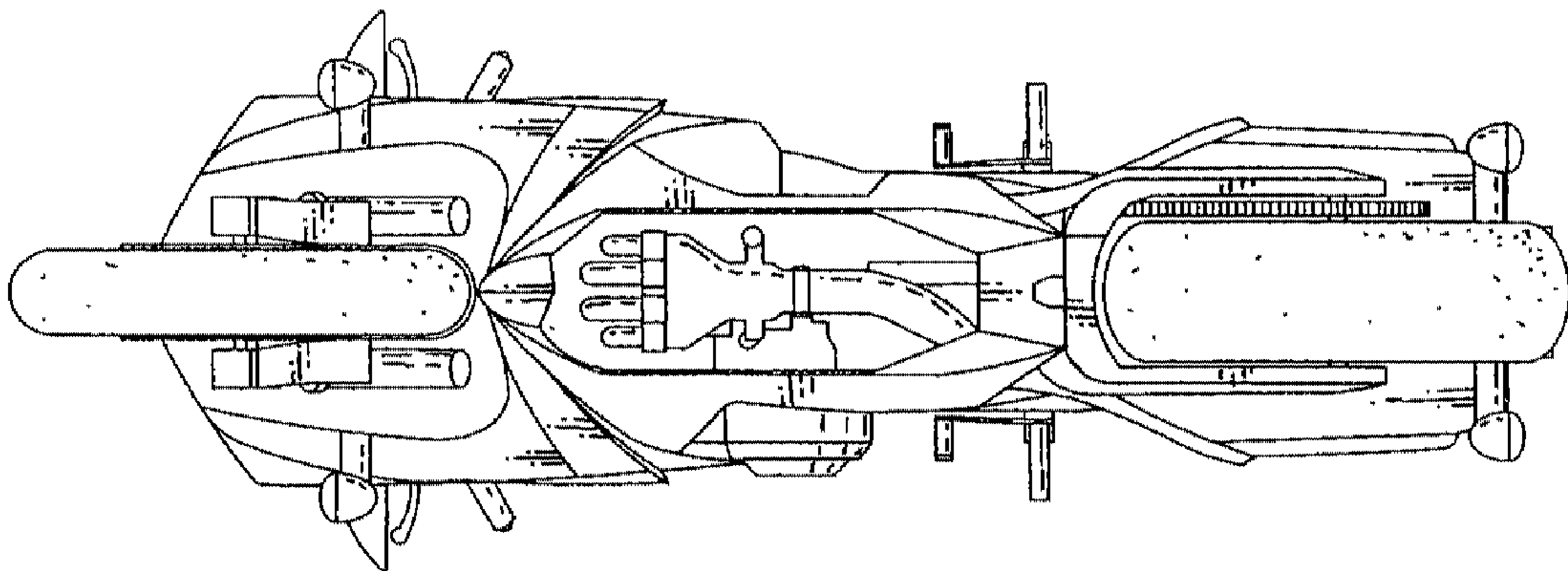
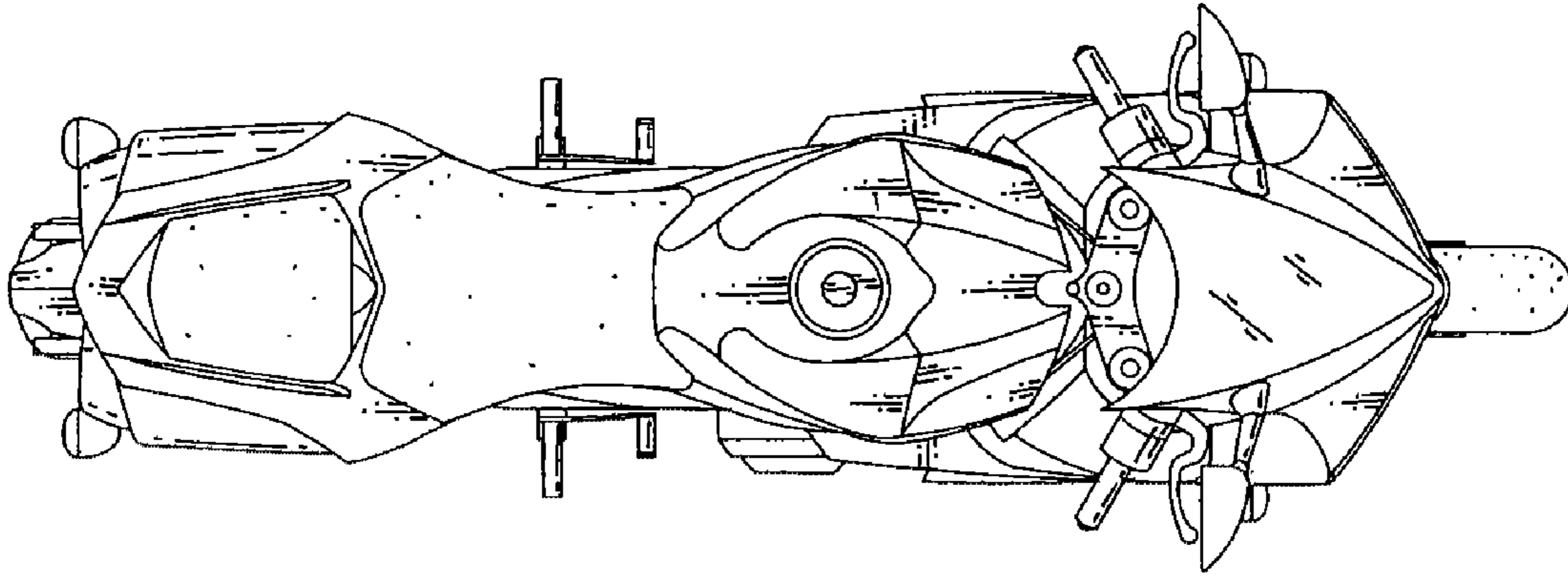


Figure 8