



US00D551128S

(12) **United States Design Patent**
Renard

(10) **Patent No.:** **US D551,128 S**

(45) **Date of Patent:** **** Sep. 18, 2007**

(54) **TAILGATE PARTY TRAILER**

D489,294 S * 5/2004 Ashinhurst D12/102

(76) Inventor: **J. Kelley Renard**, 8 Evergreen Ct.,
Little Rock, AR (US) 72227

* cited by examiner

Primary Examiner—Stacia Cadmus

(74) *Attorney, Agent, or Firm*—Joe D. Calhoun

(**) Term: **14 Years**

(21) Appl. No.: **29/249,442**

(57) **CLAIM**

(22) Filed: **Oct. 6, 2006**

The ornamental design for a tailgate party trailer, as shown and described.

(51) **LOC (8) Cl.** **12-10**

(52) **U.S. Cl.** **D12/102**

(58) **Field of Classification Search** D12/101–105;
280/656, 789, 171–176; 296/168, 22, 24.36,
296/24.1, 26.02

See application file for complete search history.

DESCRIPTION

FIG. 1 depicts a perspective view of the tailgate party trailer in its fully open configuration, from the rear left side.

FIG. 2 depicts a left side elevation view of the tailgate party trailer of FIG. 1.

FIG. 3 depicts a right side elevation view of the tailgate party trailer of FIG. 1.

FIG. 4 depicts a front elevation view of the tailgate party trailer of FIG. 1.

FIG. 5 depicts a rear elevation view of the tailgate party trailer of FIG. 1.

FIG. 6 depicts a top plan view of the tailgate party trailer of FIG. 1; and,

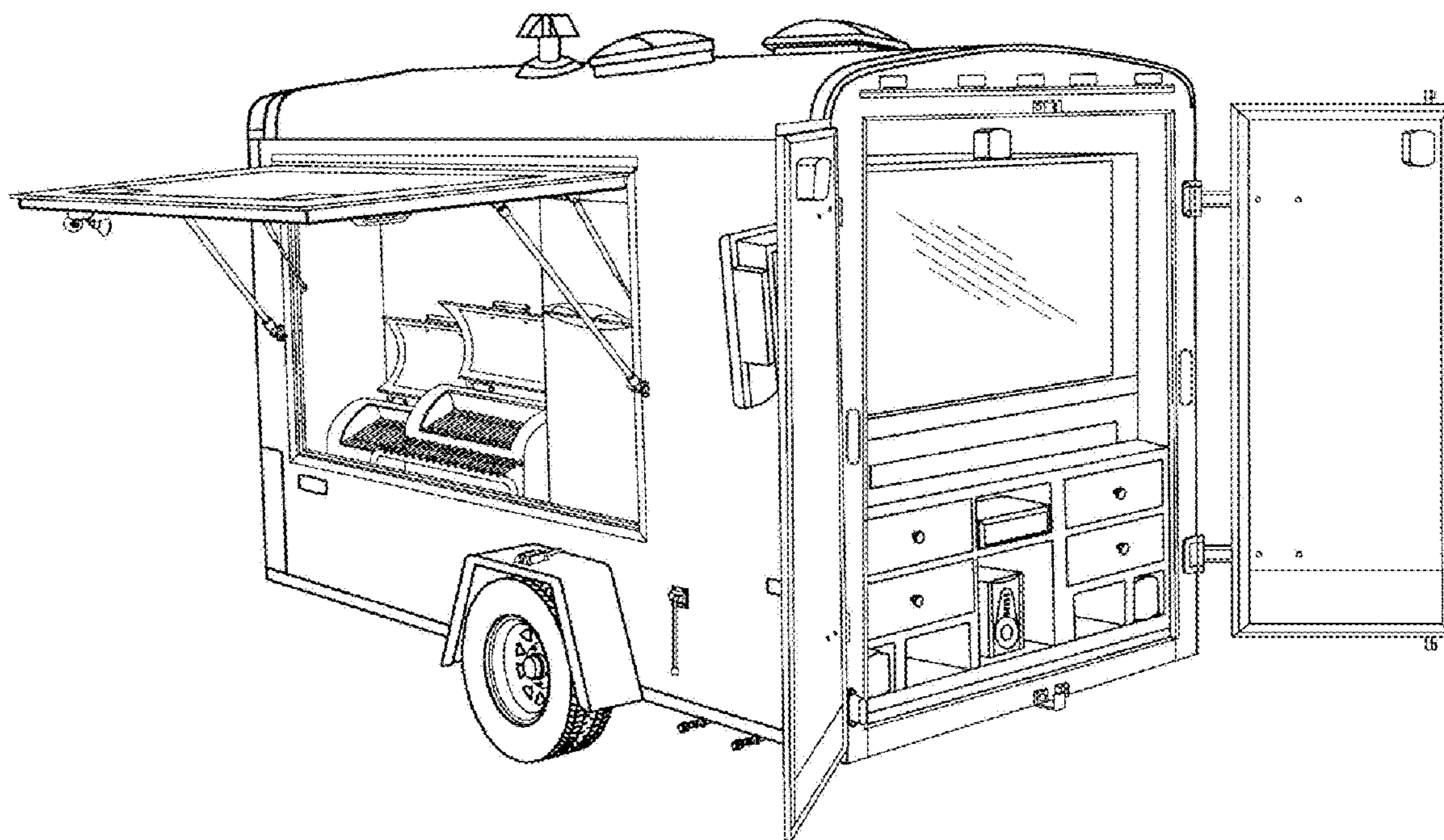
FIG. 7 depicts a bottom plan view of the tailgate party trailer of FIG. 1.

(56) **References Cited**

U.S. PATENT DOCUMENTS

D135,711 S *	5/1943	Elkus	D12/102
D163,351 S *	5/1951	Bartholomew	D12/102
D197,330 S *	1/1964	Sundberg	D12/104
D214,314 S *	6/1969	Hill	D12/102
D225,520 S *	12/1972	Kathmann	D12/102
D240,494 S *	7/1976	Beasley	D12/102
D266,235 S *	9/1982	Hughes	D12/101
D357,649 S *	4/1995	Neyer	D12/103
D380,422 S *	7/1997	Cairney	D12/102
D395,261 S *	6/1998	Puhl	D12/102
D408,334 S *	4/1999	Fortunato	D12/102
D460,024 S *	7/2002	Meiner	D12/103

1 Claim, 7 Drawing Sheets



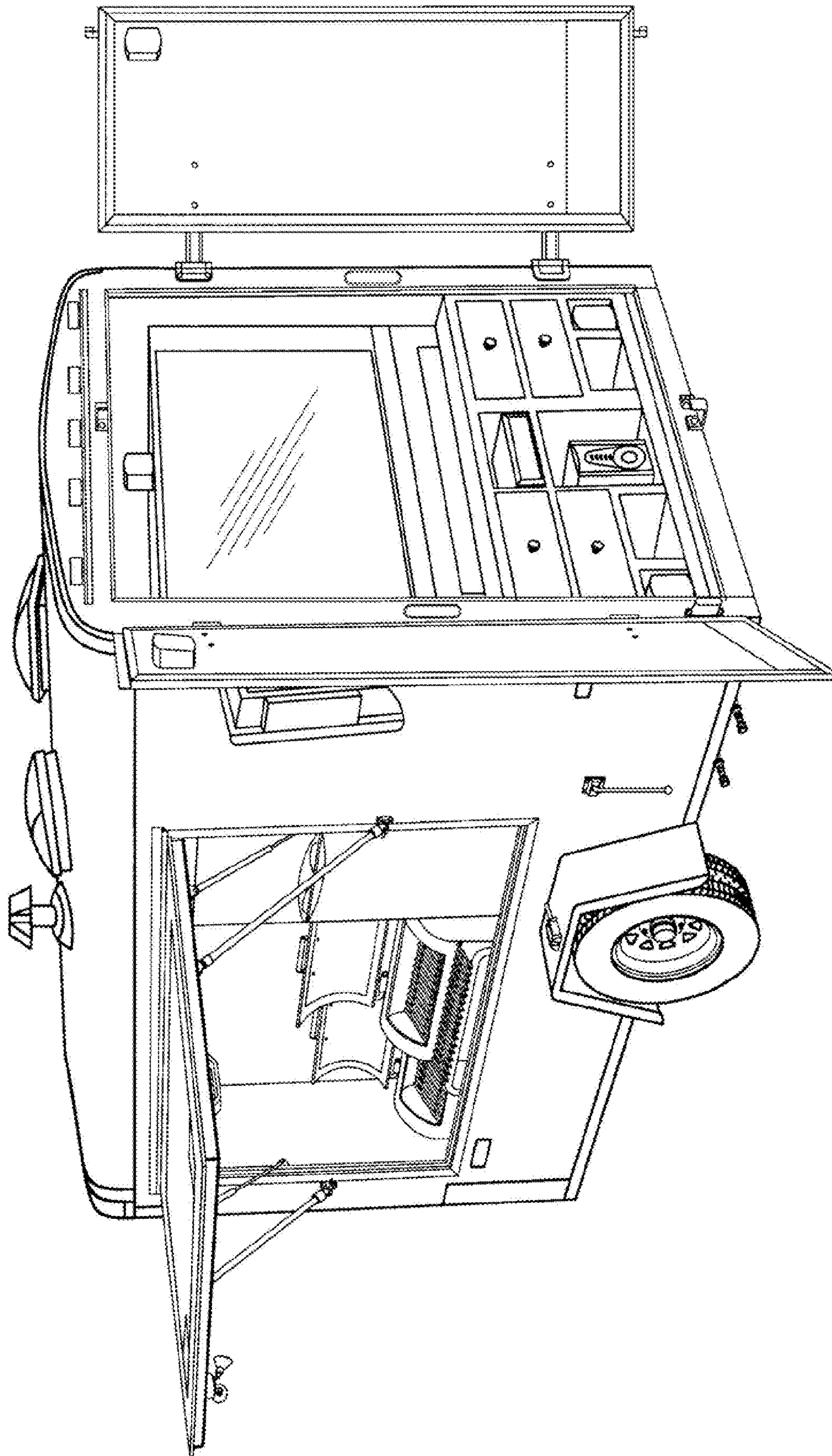


Fig. 1

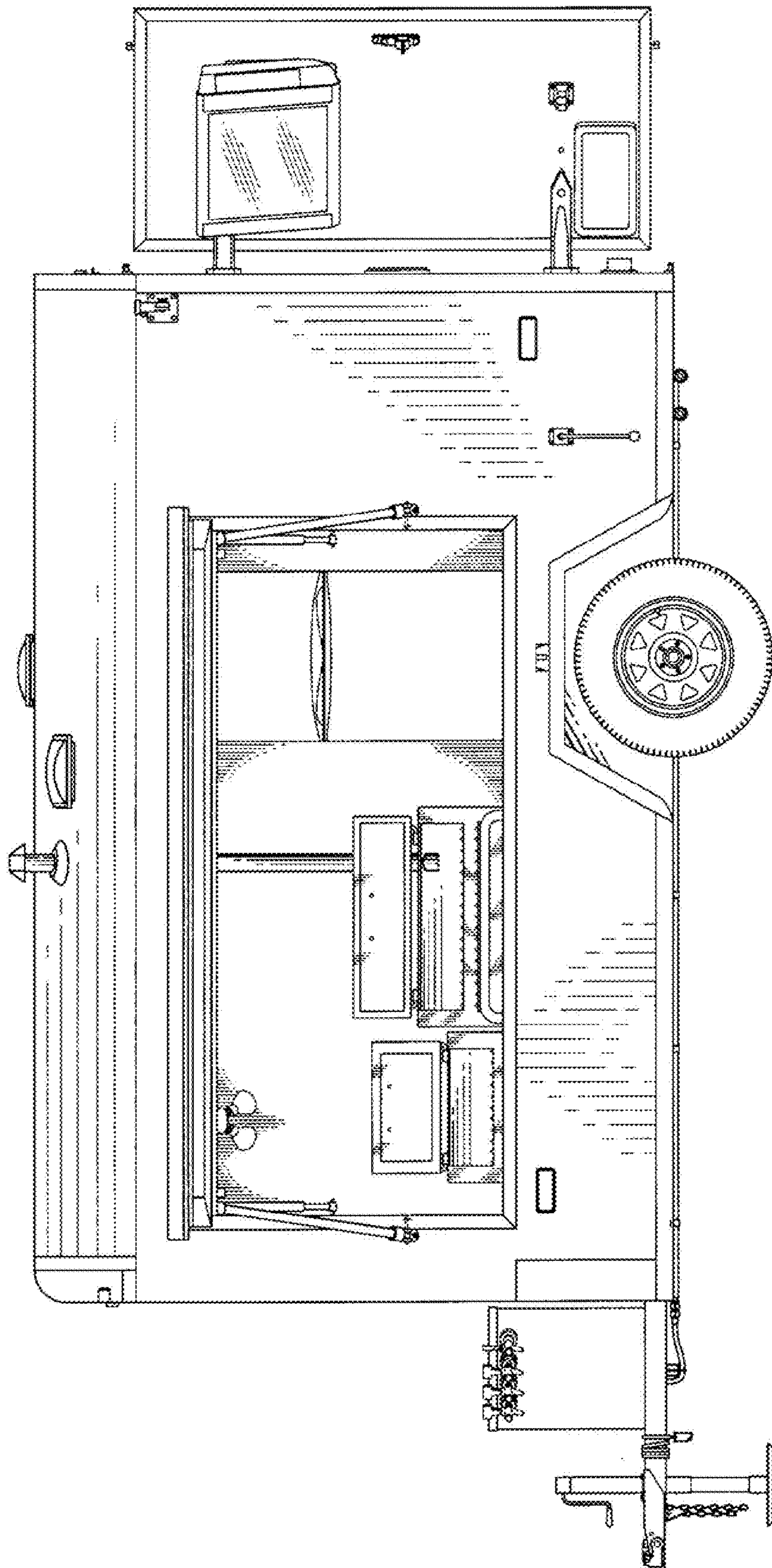


Fig. 2

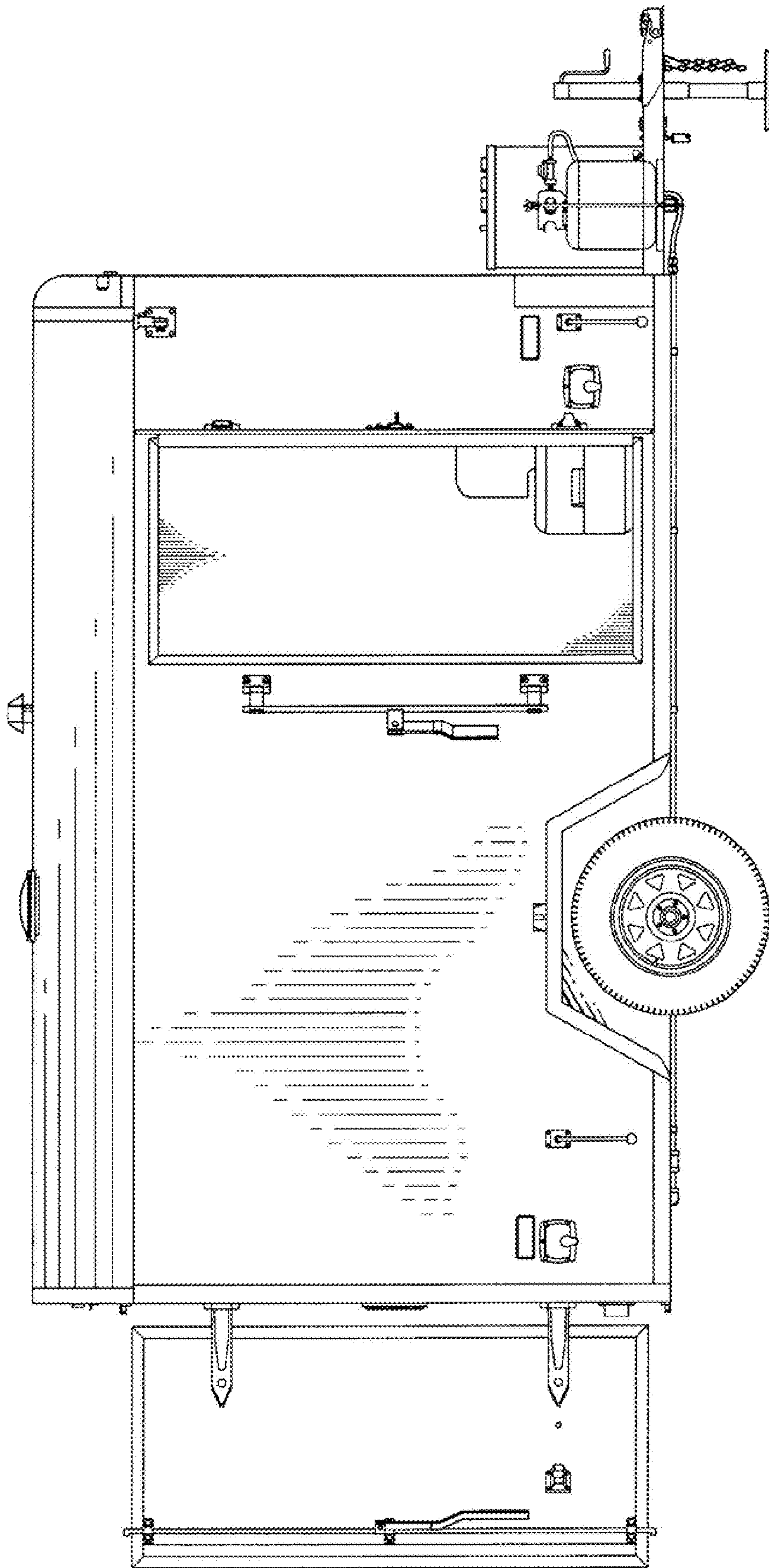


Fig. 3

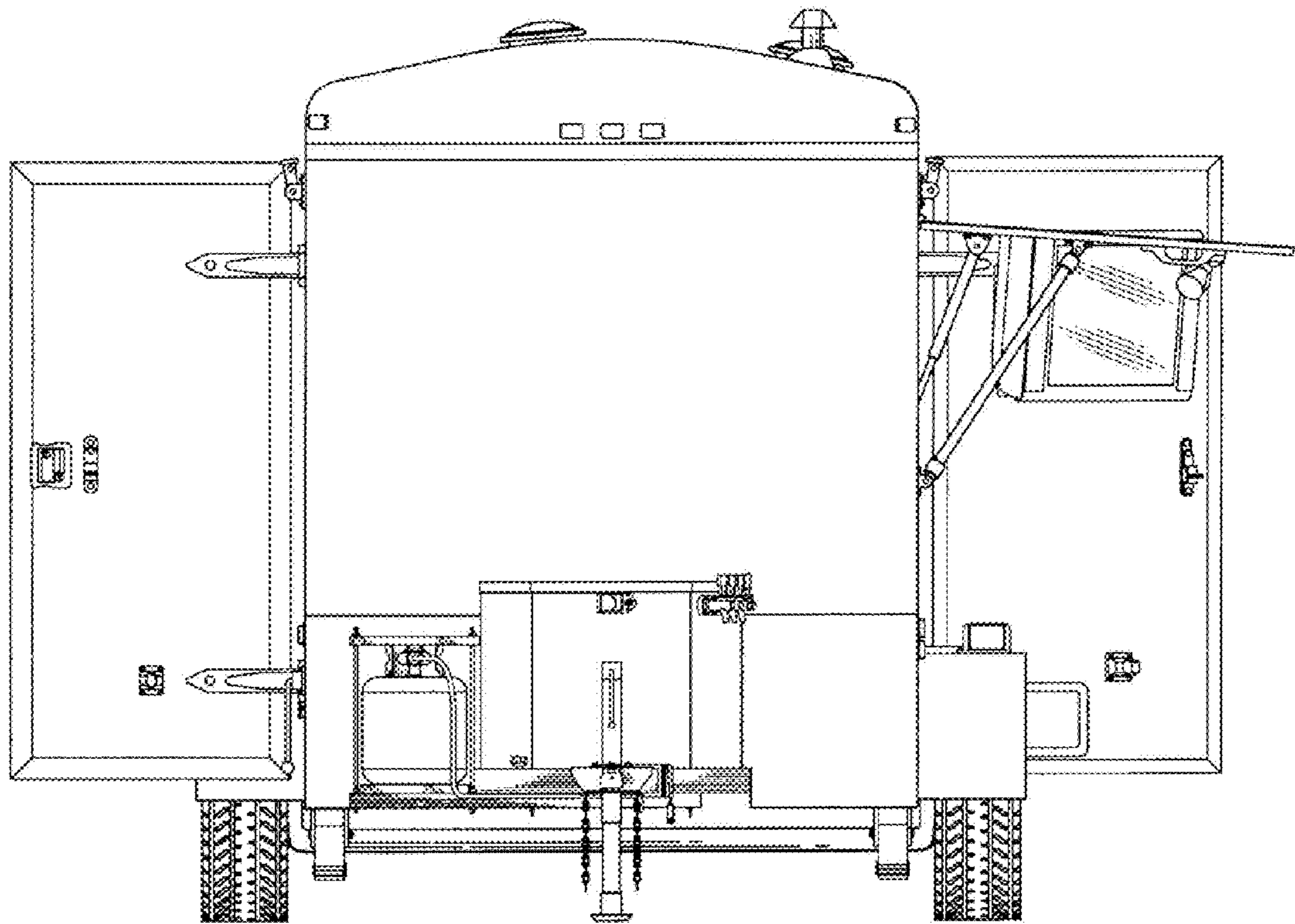


Fig. 4

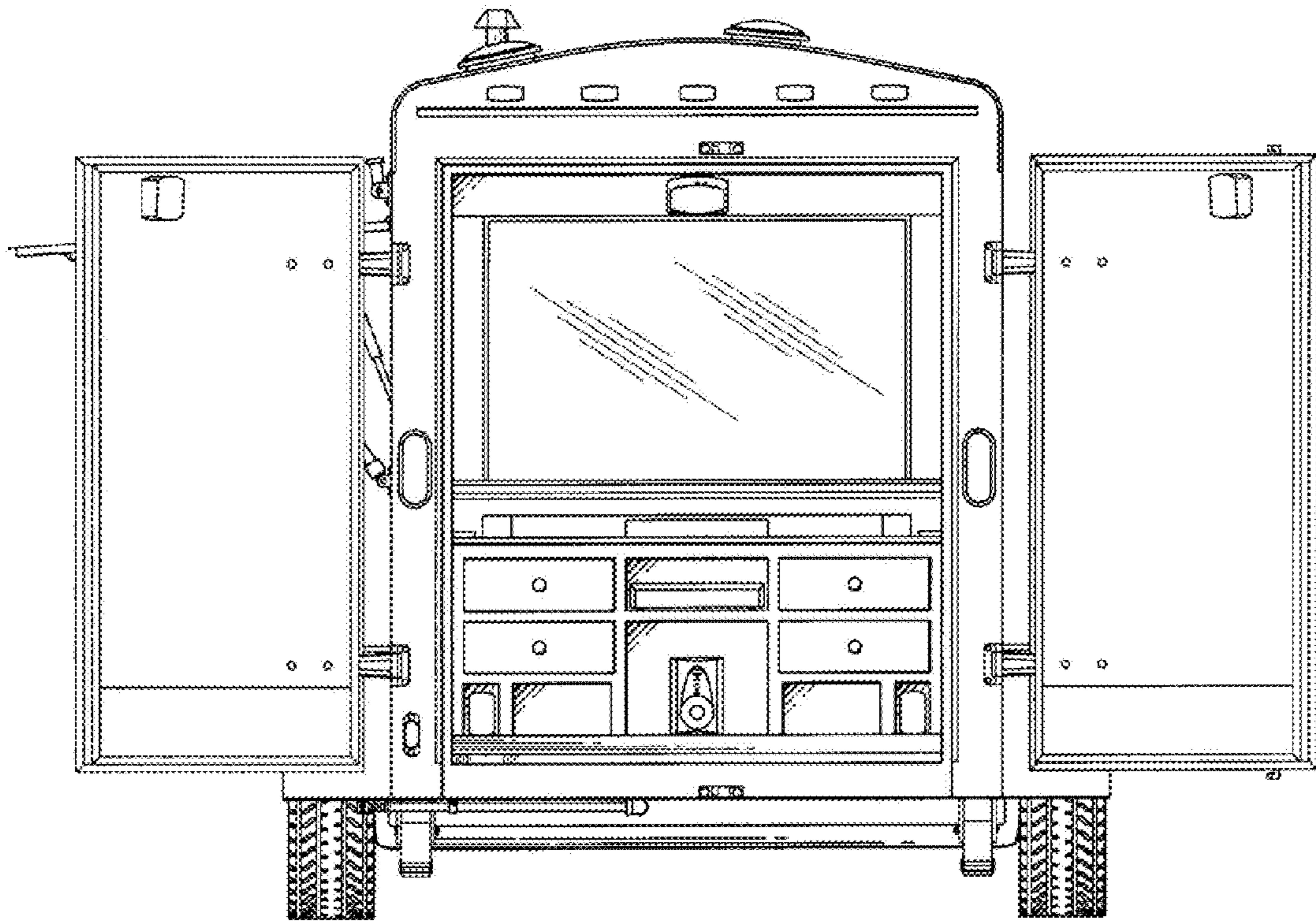


Fig. 5

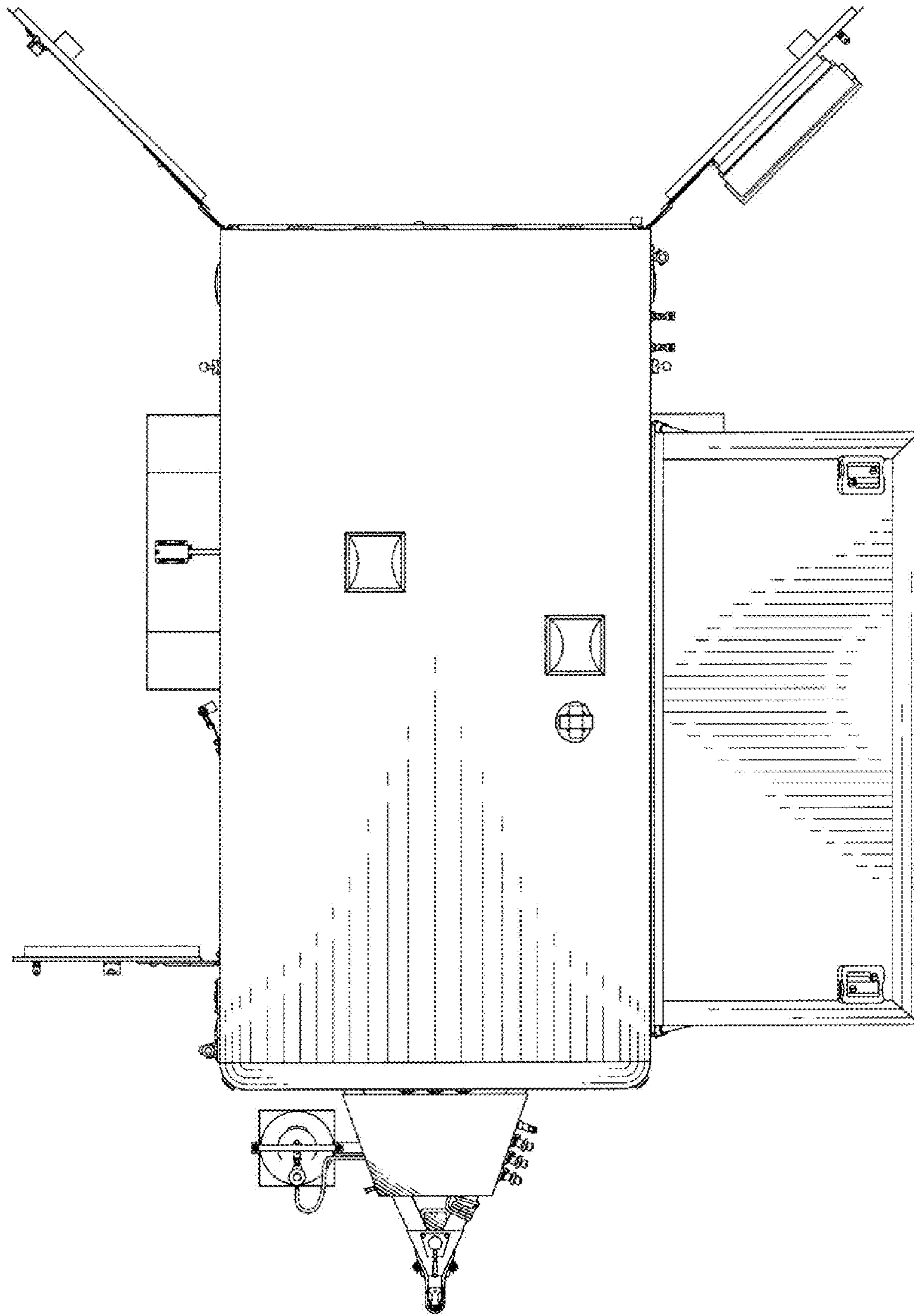


Fig. 6

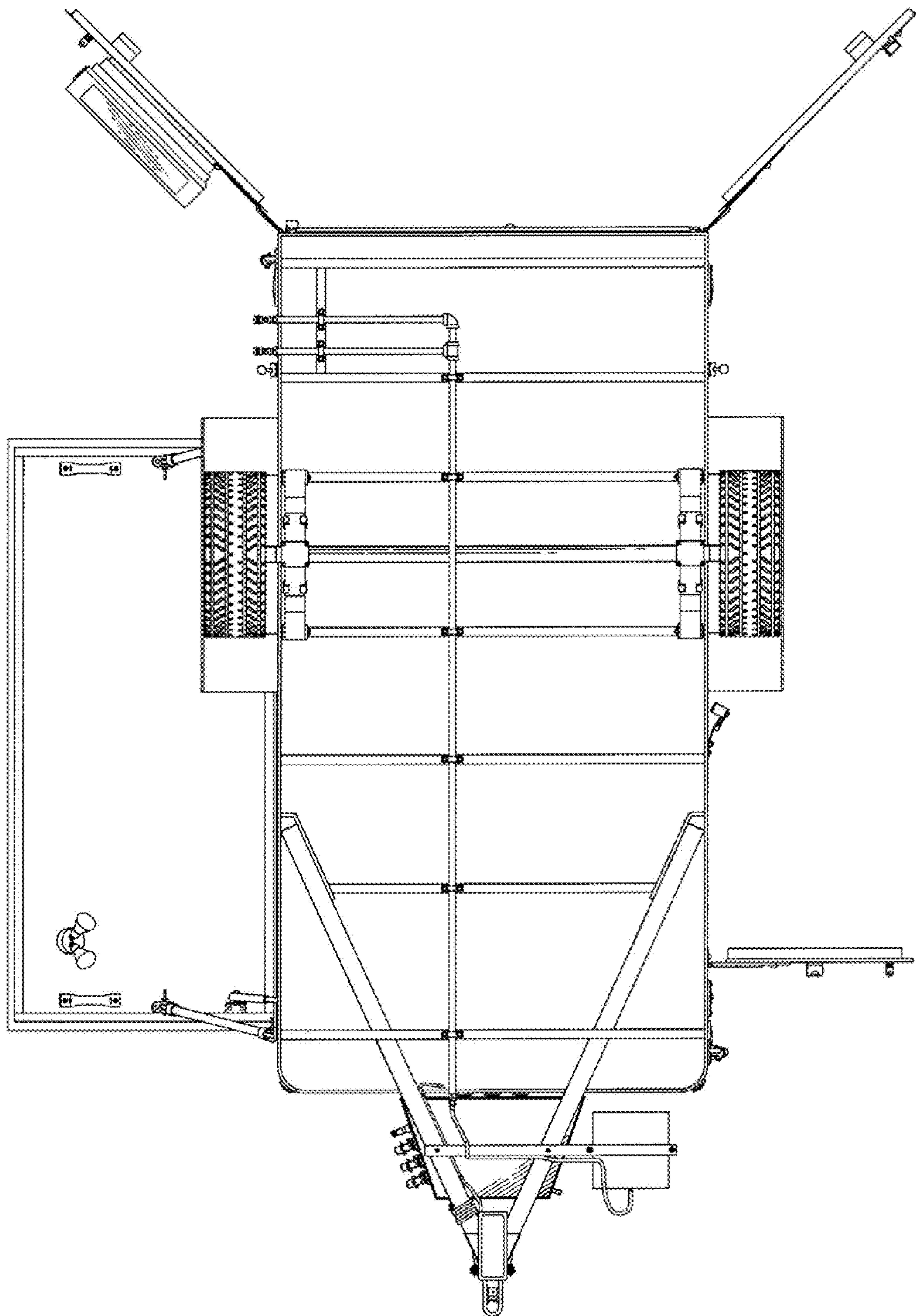


Fig. 7