



US00D551127S

(12) **United States Design Patent**
Kruger et al.

(10) **Patent No.:** **US D551,127 S**

(45) **Date of Patent:** **** Sep. 18, 2007**

(54) **AUTOMOBILE BODY**

D516,957 S * 3/2006 O'Connell et al. D12/98

(75) Inventors: **Scott M. Kruger**, Macomb, MI (US);
Irina Zavatski, Rochester Hills, MI
(US); **Dennis Myles**, West Bloomfield,
MI (US)

(73) Assignee: **DaimlerChrysler Corporation**, Auburn
Hills, MI (US)

(**) Term: **14 Years**

(21) Appl. No.: **29/248,214**

(22) Filed: **Aug. 3, 2006**

(51) **LOC (8) Cl.** **12-08**

(52) **U.S. Cl.** **D12/98**

(58) **Field of Classification Search** D12/98,
D12/93; 296/181.2, 181.3
See application file for complete search history.

(56) **References Cited**

U.S. PATENT DOCUMENTS

- D430,068 S * 8/2000 Castiglione et al. D12/98
- D455,372 S 4/2002 Myles et al.
- D466,451 S * 12/2002 Trostle et al. D12/98
- D503,659 S * 4/2005 Matsumoto et al. D12/98
- D504,357 S 4/2005 Aneiros et al.
- D508,440 S * 8/2005 Hall et al. D12/98

OTHER PUBLICATIONS

Image of 2007 Honda Ridgeline printed off Honda website; http://automobiles.honda.com/models/exterior_gallery.asp?ModelName=Ridgeline.

* cited by examiner

Primary Examiner—Melody N. Brown

(74) *Attorney, Agent, or Firm*—Ralph E. Smith

(57) **CLAIM**

The ornamental design for an automobile body, as shown and described.

DESCRIPTION

FIG. 1 is a front perspective view of an automobile body showing our new design;

FIG. 2 is a side view thereof;

FIG. 3 is a front view thereof;

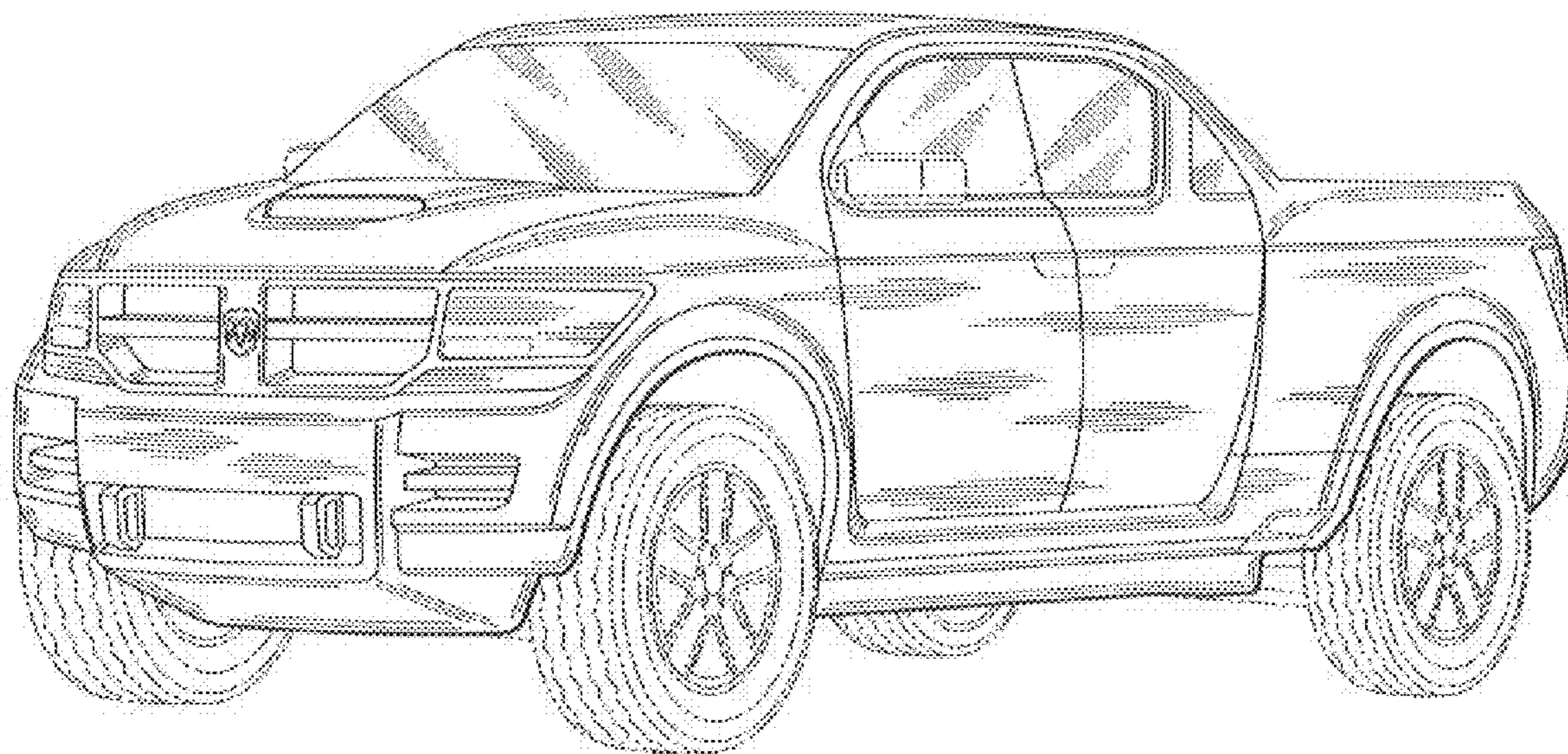
FIG. 4 is a rear view thereof;

FIG. 5 is a rear perspective view thereof; and,

FIG. 6 is a top plan view thereof.

It will be understood that the broken lines presented in the drawings are for illustration only, and do not form a part of the claimed design.

1 Claim, 5 Drawing Sheets



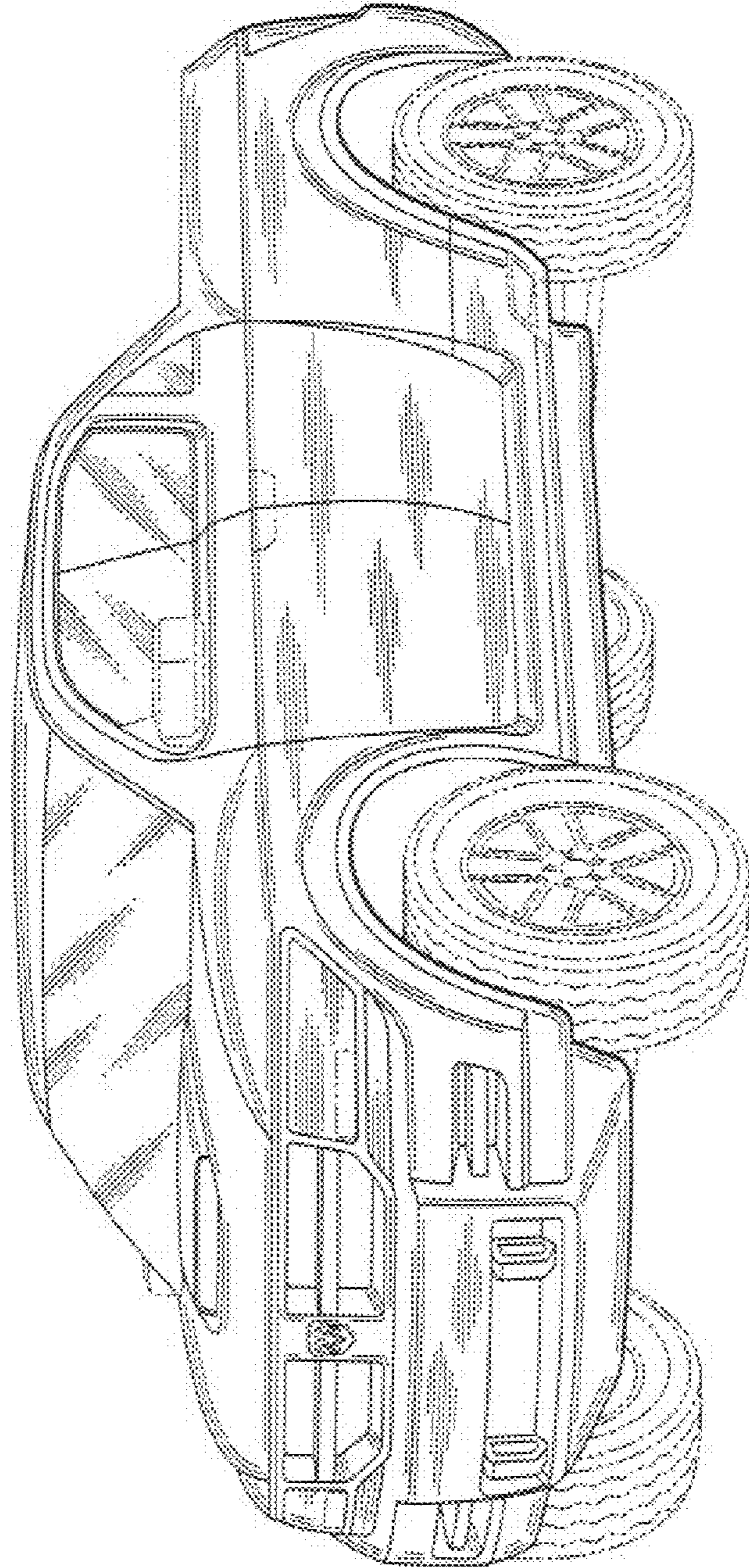


Fig. 1

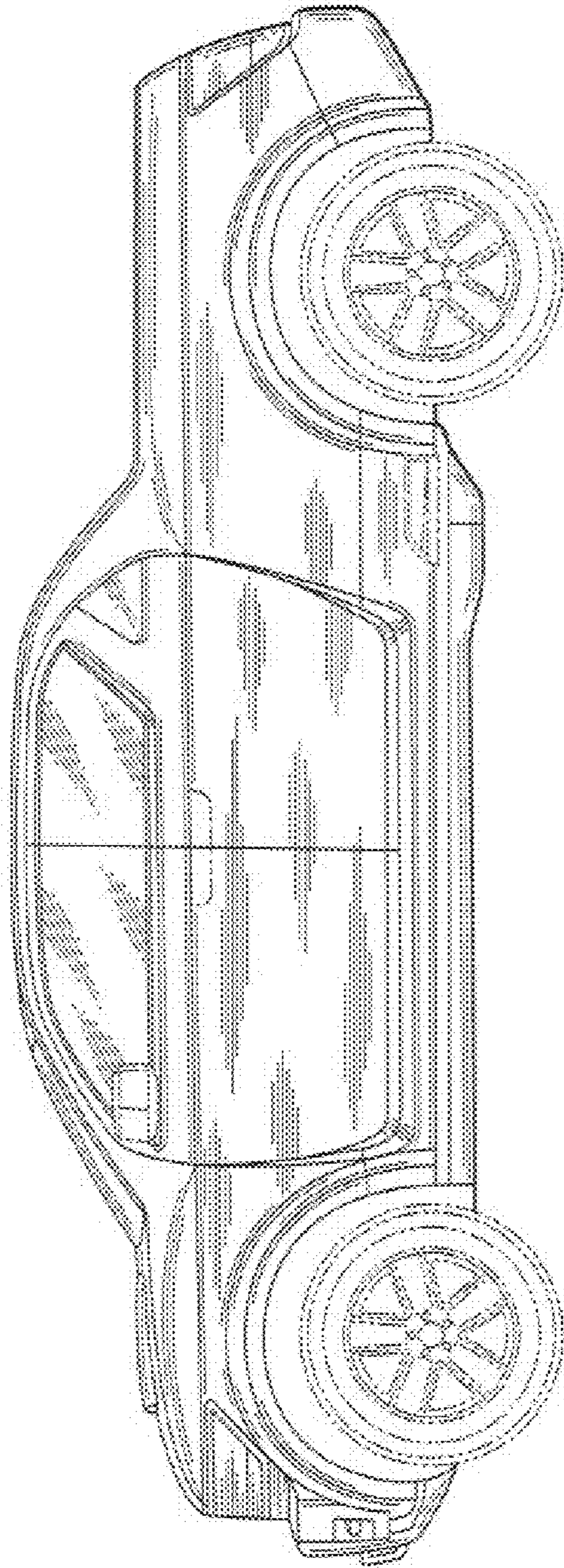


Fig. 2

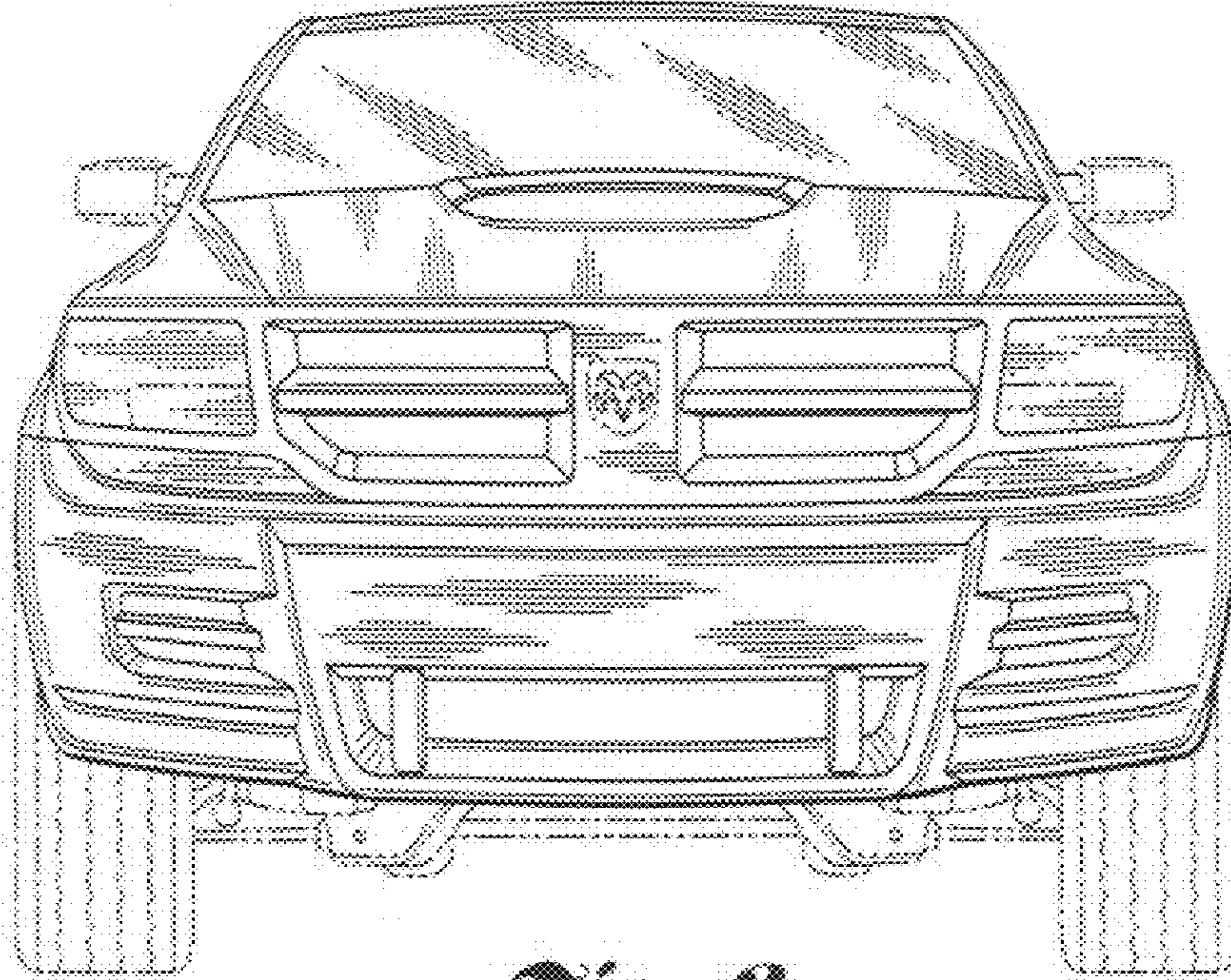


Fig. 3

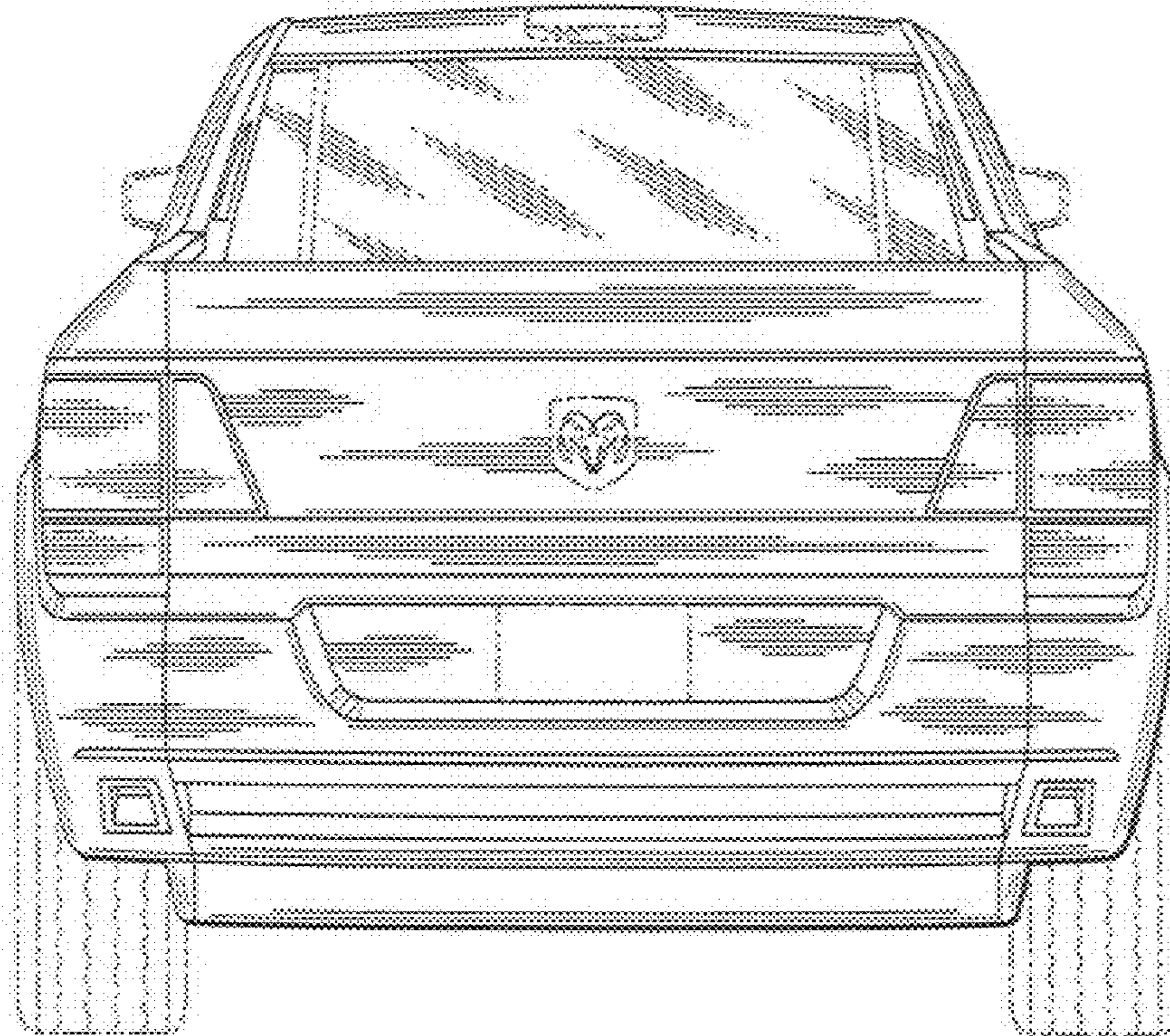


Fig. 4

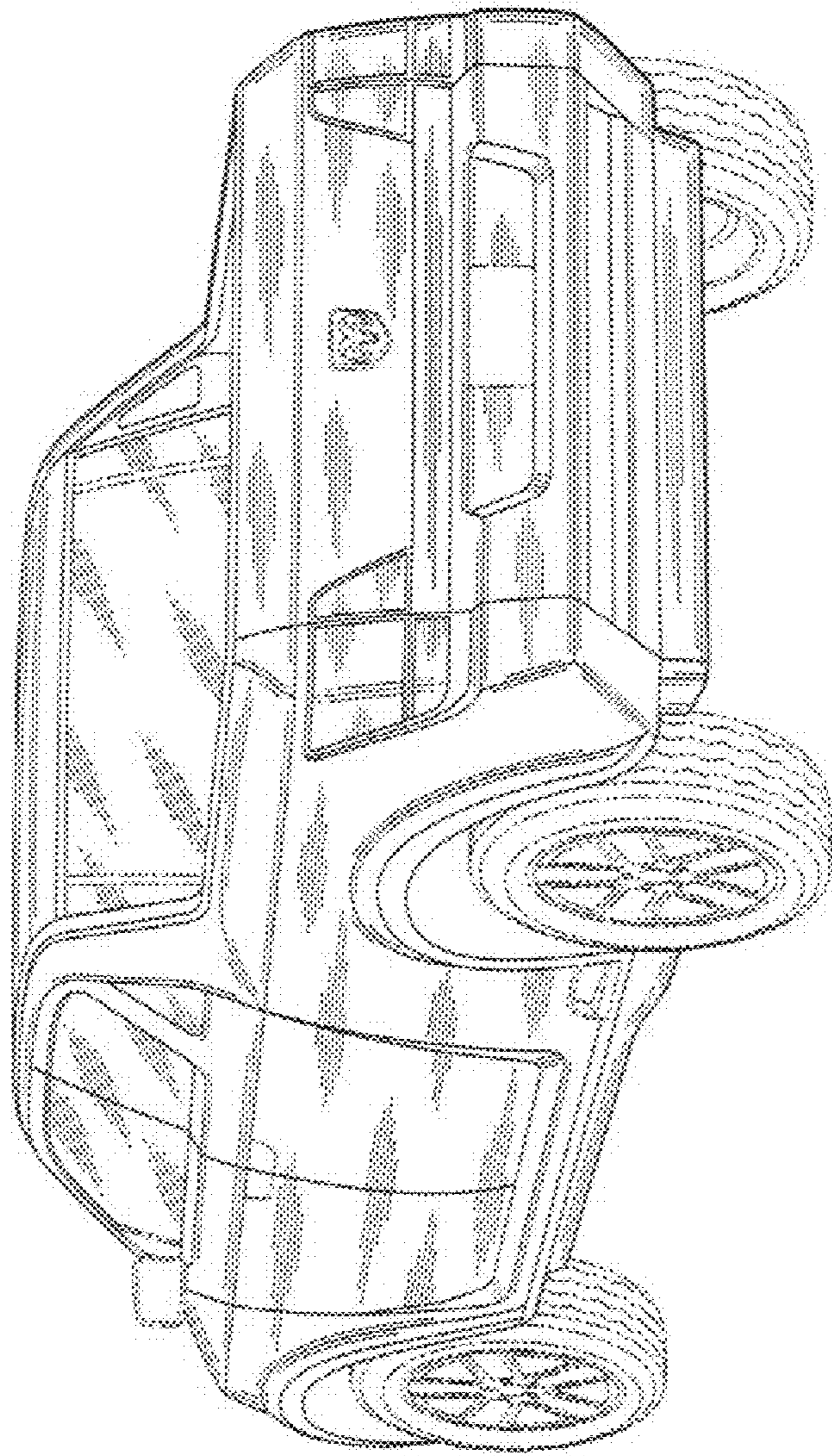


Fig. 5

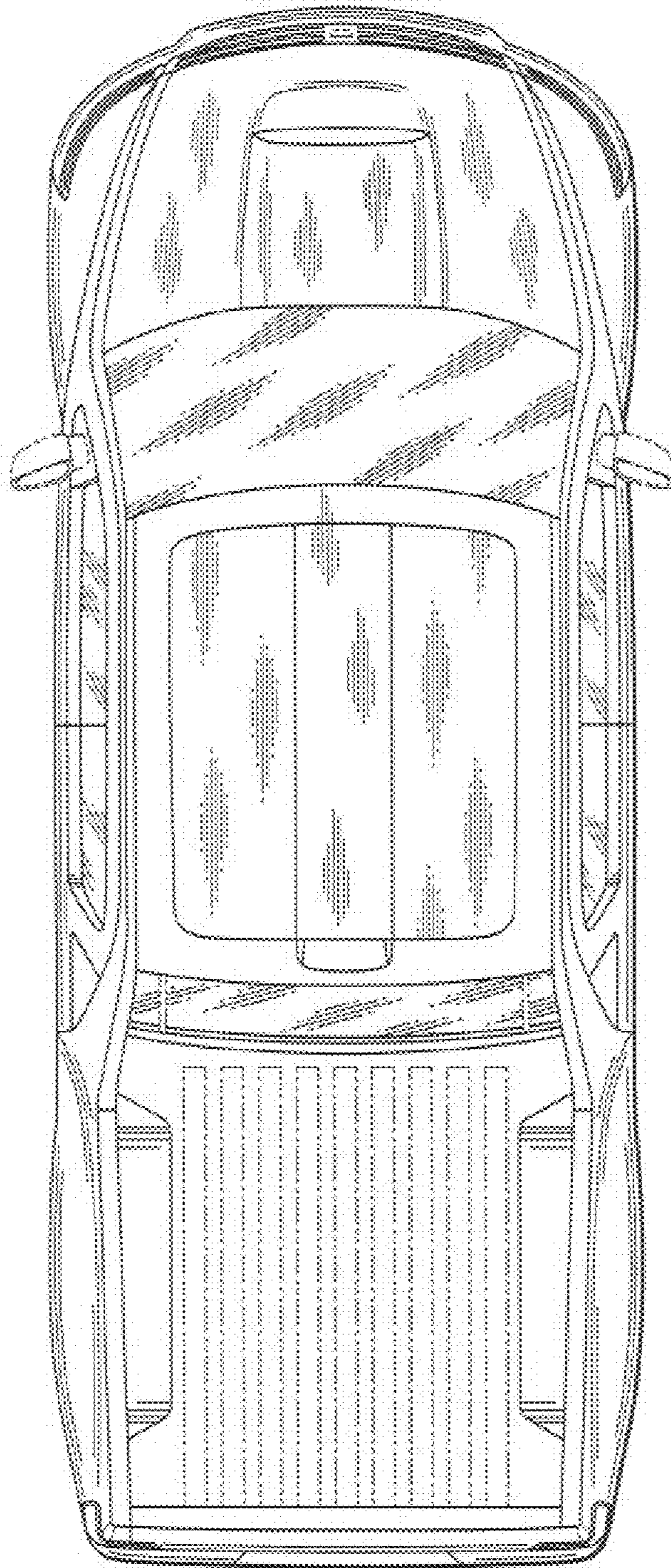


Fig. 6