



US00D551124S

(12) **United States Design Patent**
Aneiros et al.

(10) **Patent No.:** **US D551,124 S**

(45) **Date of Patent:** **** Sep. 18, 2007**

(54) **AUTOMOBILE BODY**

(75) Inventors: **Ricardo Z. Aneiros**, Bingham Farms, MI (US); **John P. Sgalia**, Farmington Hills, MI (US); **Mark T. Allen**, Oxford, MI (US); **Dan M. Zimmermann**, Bloomfield Township, MI (US)

(73) Assignee: **DaimlerChrysler Corporation**, Auburn Hills, MI (US)

(**) Term: **14 Years**

(21) Appl. No.: **29/248,591**

(22) Filed: **Aug. 23, 2006**

(51) **LOC (8) Cl.** **12-08**

(52) **U.S. Cl.** **D12/92**

(58) **Field of Classification Search** D12/90-92,
D12/86; 296/181.1, 181.5
See application file for complete search history.

(56) **References Cited**

U.S. PATENT DOCUMENTS

D350,504 S	9/1994	Nixon
D383,710 S	9/1997	Guichard et al.
D389,438 S	1/1998	Guichard et al.
D391,520 S	3/1998	Laster
D424,992 S	5/2000	Faurote

D454,813 S	3/2002	Boniface et al.
D500,460 S	1/2005	Allen et al.
D506,955 S	7/2005	Allen et al.
D507,766 S	7/2005	McMahan et al.
D514,983 S	2/2006	Renkert et al.
D519,066 S	4/2006	Ney et al.
D528,471 S *	9/2006	Renkert et al. D12/91
D534,097 S *	12/2006	Renkert et al. D12/91

* cited by examiner

Primary Examiner—Melody N. Brown

(74) *Attorney, Agent, or Firm*—Ralph E. Smith

(57) **CLAIM**

The design for an automobile body, as shown and described.

DESCRIPTION

FIG. 1 is a front perspective view of an automobile body showing our new design;

FIG. 2 is a side view thereof;

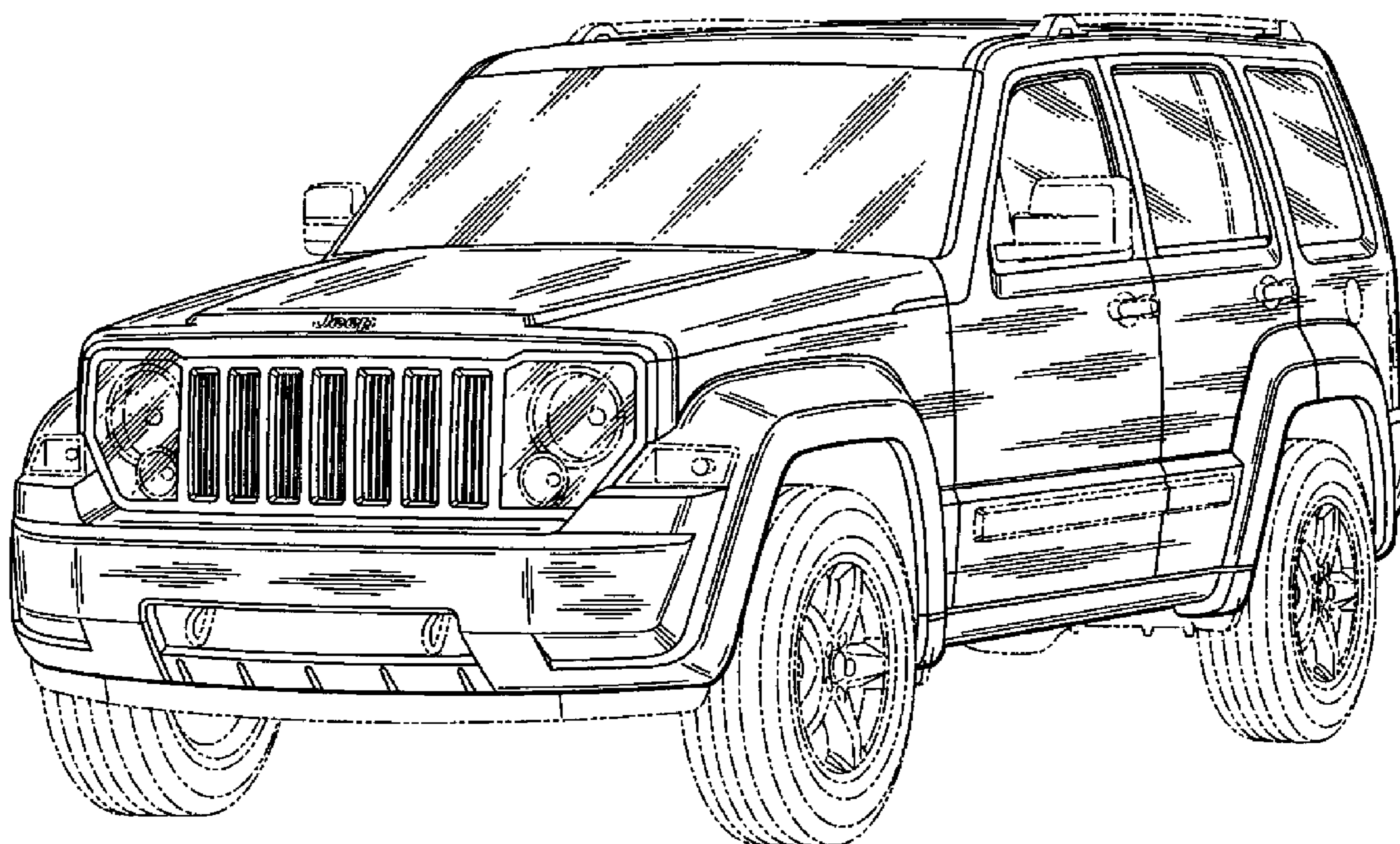
FIG. 3 is a front view thereof;

FIG. 4 is a rear view thereof; and,

FIG. 5 is a rear perspective view thereof.

It will be understood that the broken lines presented in the drawings are for illustration only, and do not form a part of the claimed design.

1 Claim, 4 Drawing Sheets



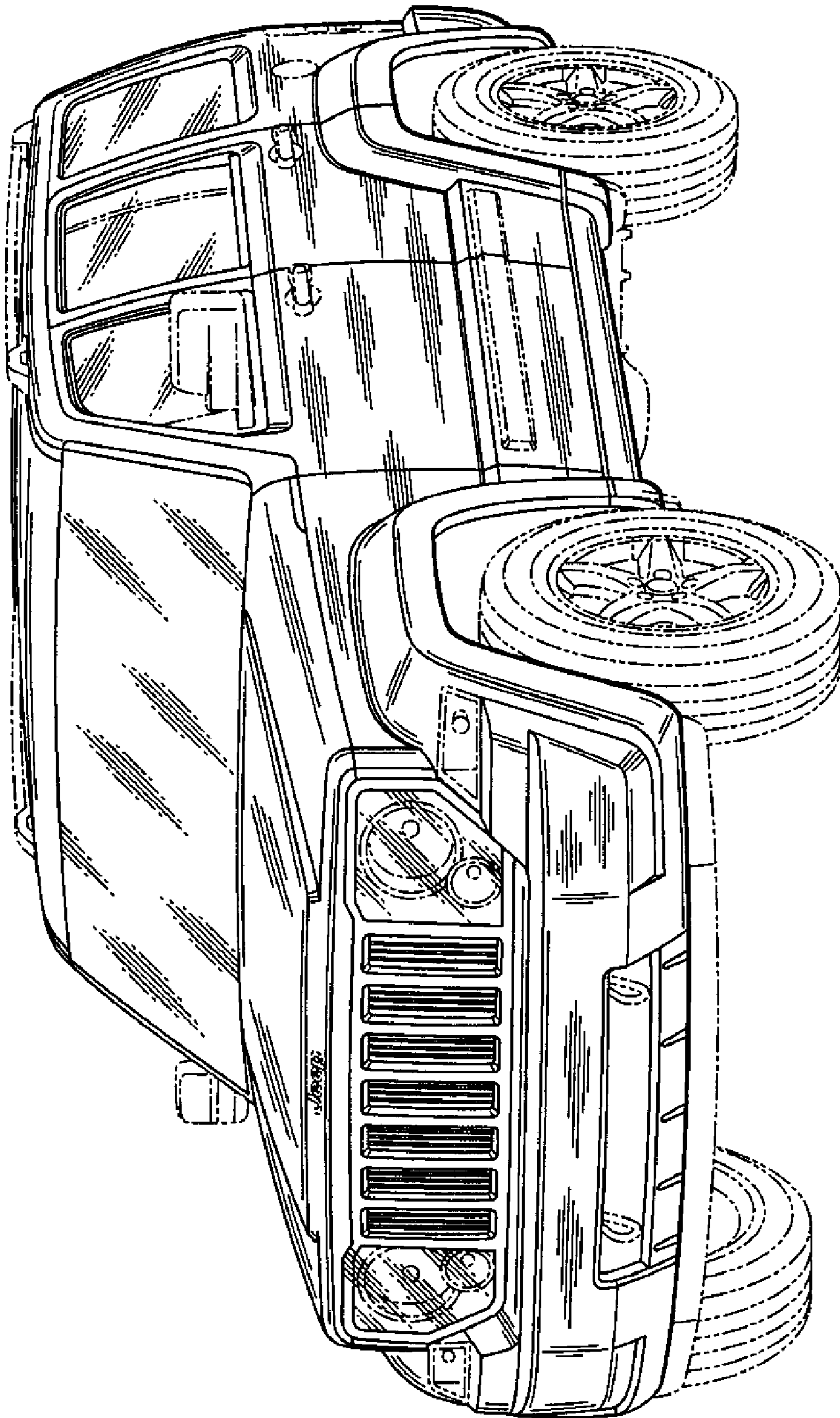


Fig. 1

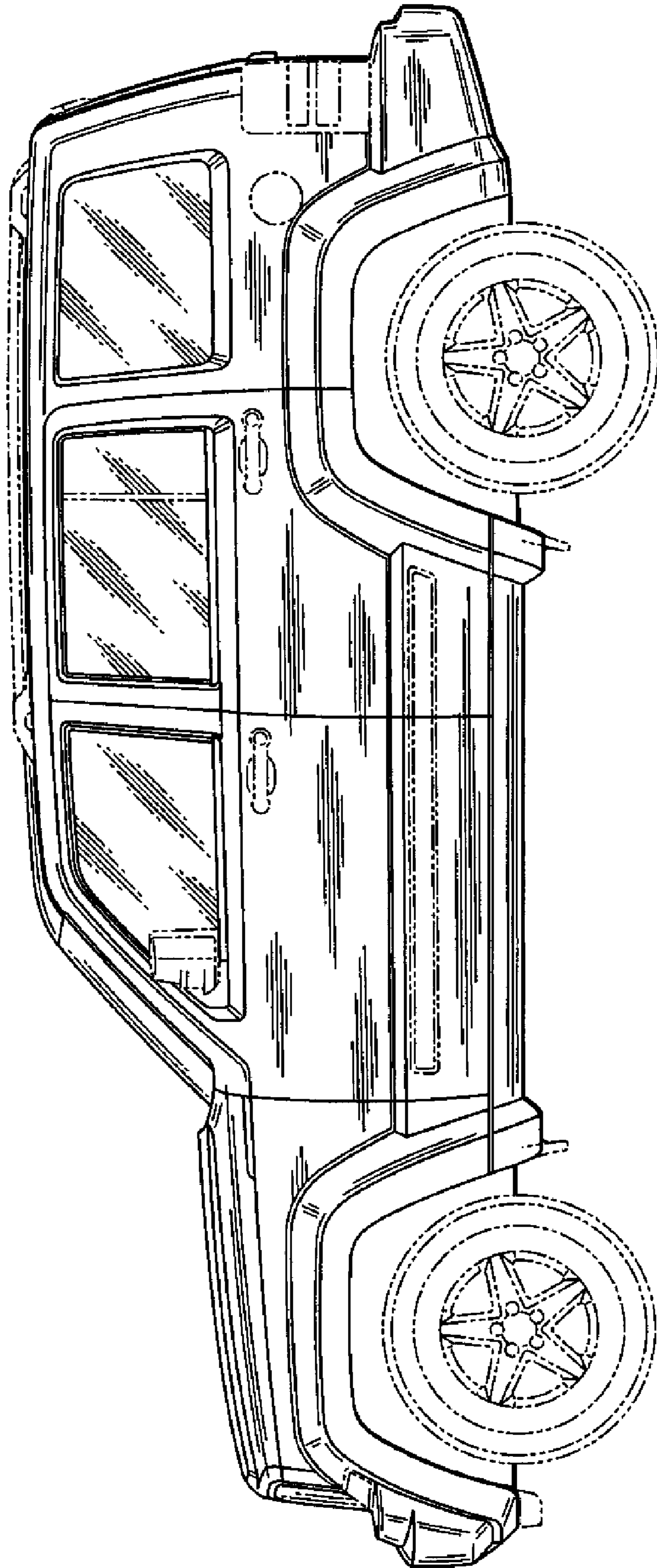


Fig. 2

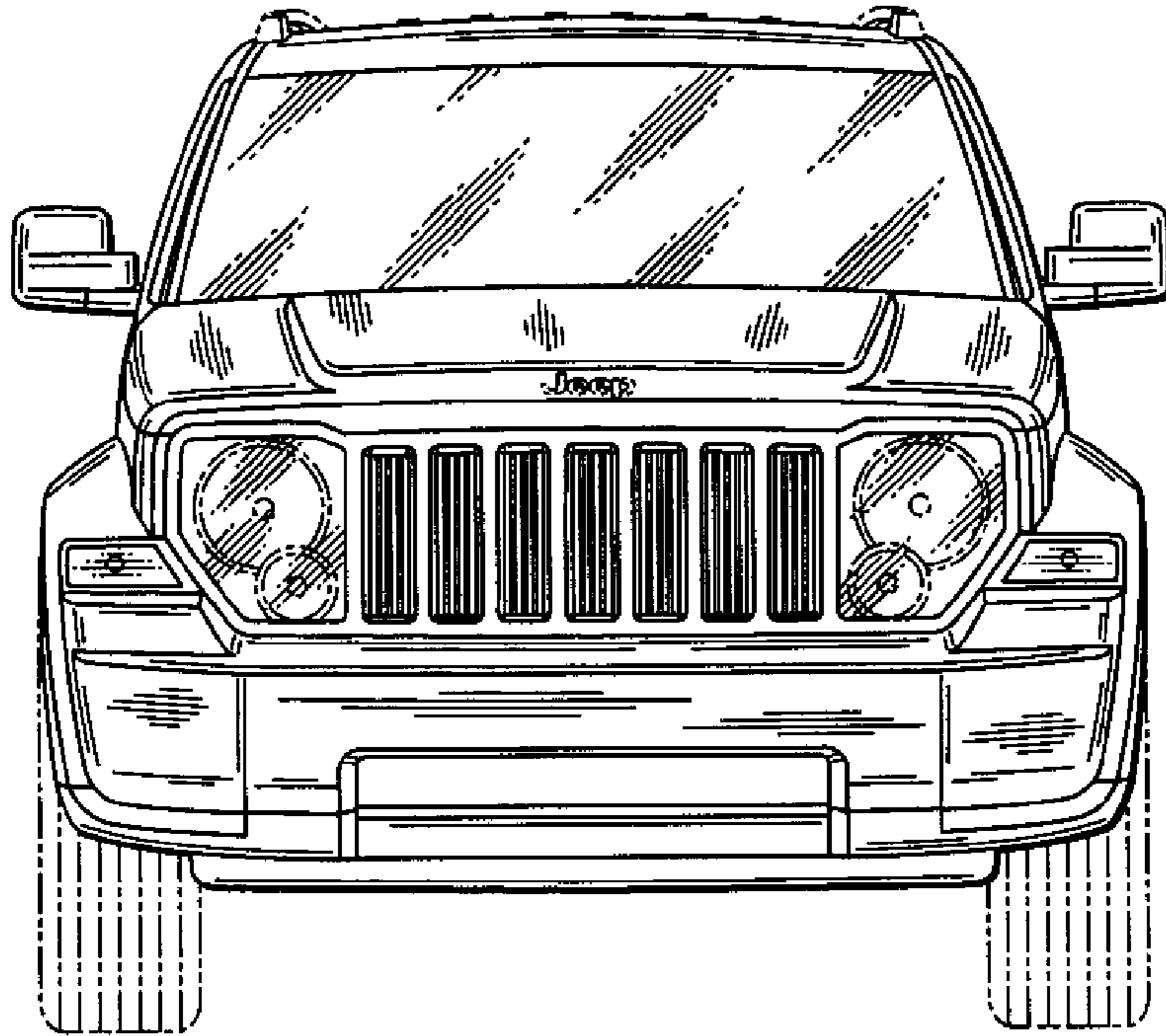


Fig. 3

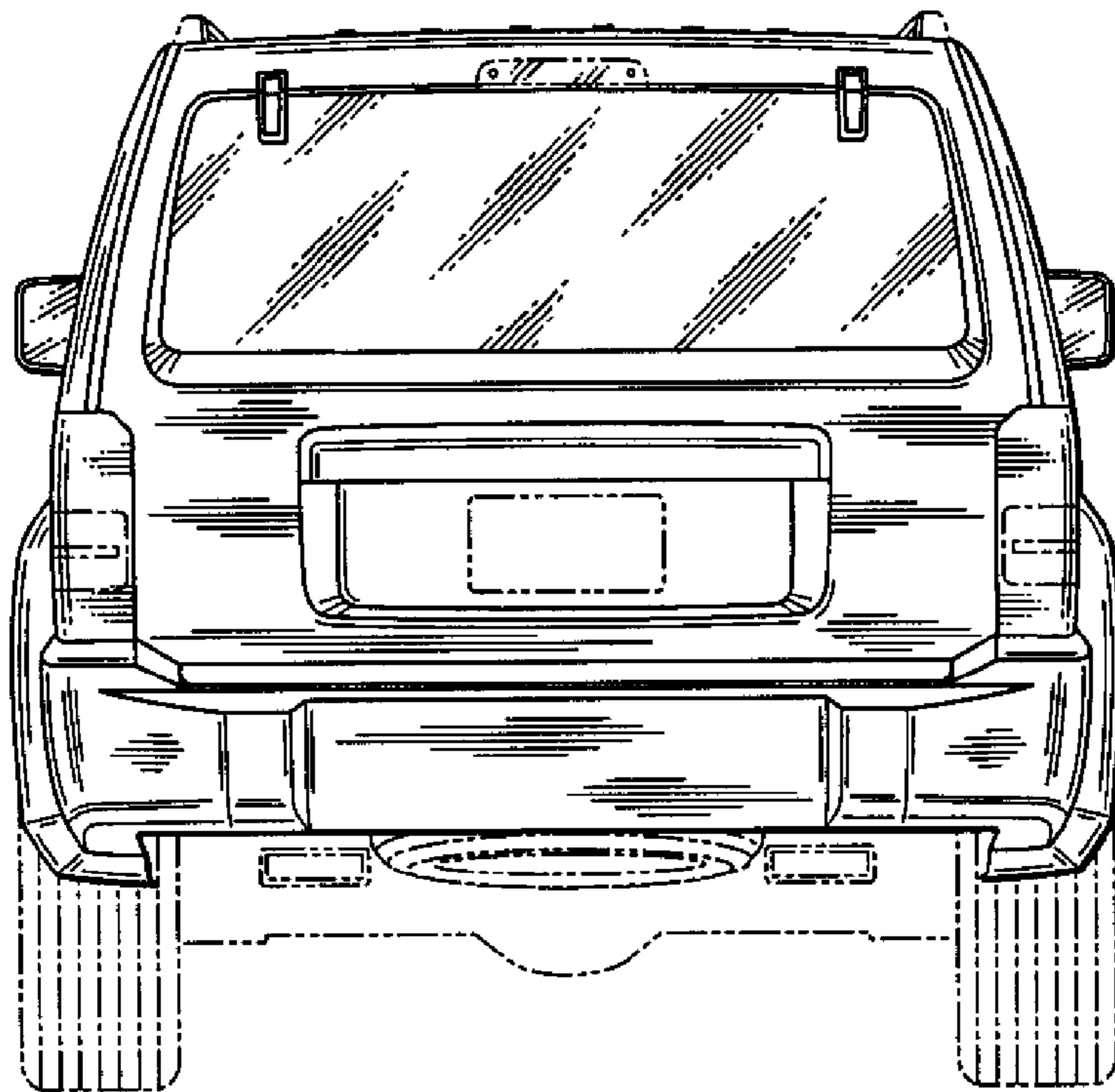


Fig. 4

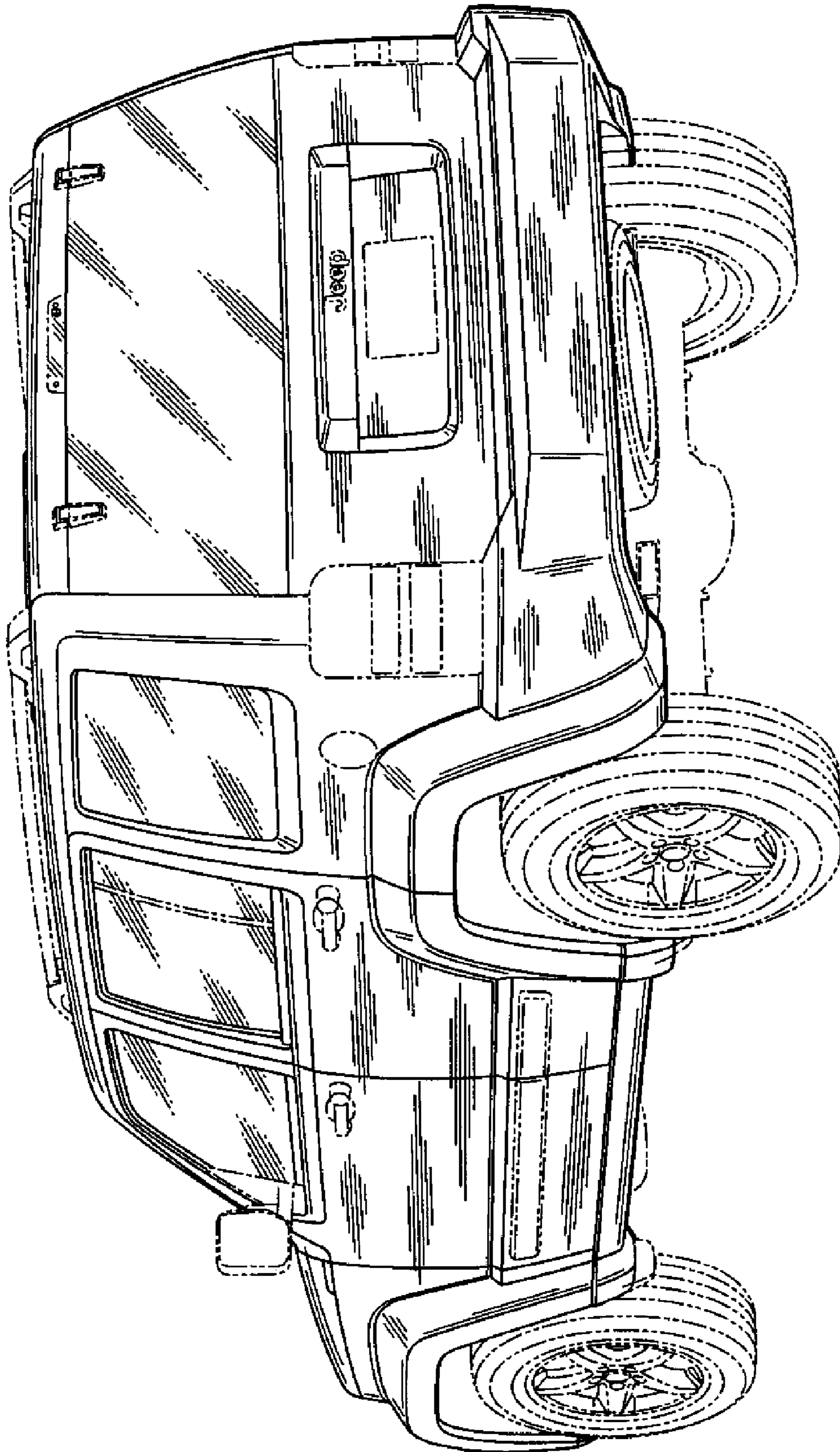


Fig. 5