



US00D551122S

(12) **United States Design Patent**
Trostle et al.

(10) **Patent No.:** **US D551,122 S**

(45) **Date of Patent:** **** Sep. 18, 2007**

(54) **AUTOMOBILE BODY**

(75) Inventors: **Mark C. Trostle**, Clarkston, MI (US);
Ryan C. Nagode, West Bloomfield, MI
(US); **Lance R. Wagner**, Lake Orion,
MI (US)

(73) Assignee: **DaimlerChrysler Corporation**, Auburn
Hills, MI (US)

(**) Term: **14 Years**

(21) Appl. No.: **29/248,212**

(22) Filed: **Aug. 3, 2006**

(51) **LOC (8) Cl.** **12-08**

(52) **U.S. Cl.** **D12/92**

(58) **Field of Classification Search** D12/90-92,
D12/86; 296/181.1, 181.5
See application file for complete search history.

(56) **References Cited**

U.S. PATENT DOCUMENTS

| | | | |
|--------------|---------|-----------------------|--------|
| D453,713 S * | 2/2002 | McMahan et al. | D12/91 |
| D466,053 S * | 11/2002 | O'Connell et al. | D12/91 |
| D466,443 S * | 12/2002 | Faurote et al. | D12/91 |
| D472,850 S * | 4/2003 | Frasher et al. | D12/91 |
| D479,154 S * | 9/2003 | Krugger et al. | D12/91 |
| D479,492 S * | 9/2003 | Gale et al. | D12/91 |
| D482,990 S * | 12/2003 | Sims et al. | D12/91 |

| | | | |
|--------------|--------|--------------------|--------|
| D489,648 S * | 5/2004 | Gale et al. | D12/92 |
| D495,624 S * | 9/2004 | Dolan et al. | D12/91 |
| D510,056 S | 9/2005 | Hall et al. | |
| D519,060 S | 4/2006 | Hall et al. | |
| D522,917 S * | 6/2006 | Wagner et al. | D12/91 |
| D526,935 S * | 8/2006 | Wagner et al. | D12/91 |

* cited by examiner

Primary Examiner—Melody N. Brown

(74) *Attorney, Agent, or Firm*—Ralph E. Smith

(57) **CLAIM**

The ornamental design for an automobile body, as shown and described.

DESCRIPTION

FIG. 1 is a front perspective view of an automobile body showing our new design;

FIG. 2 is a side view thereof;

FIG. 3 is a front view thereof;

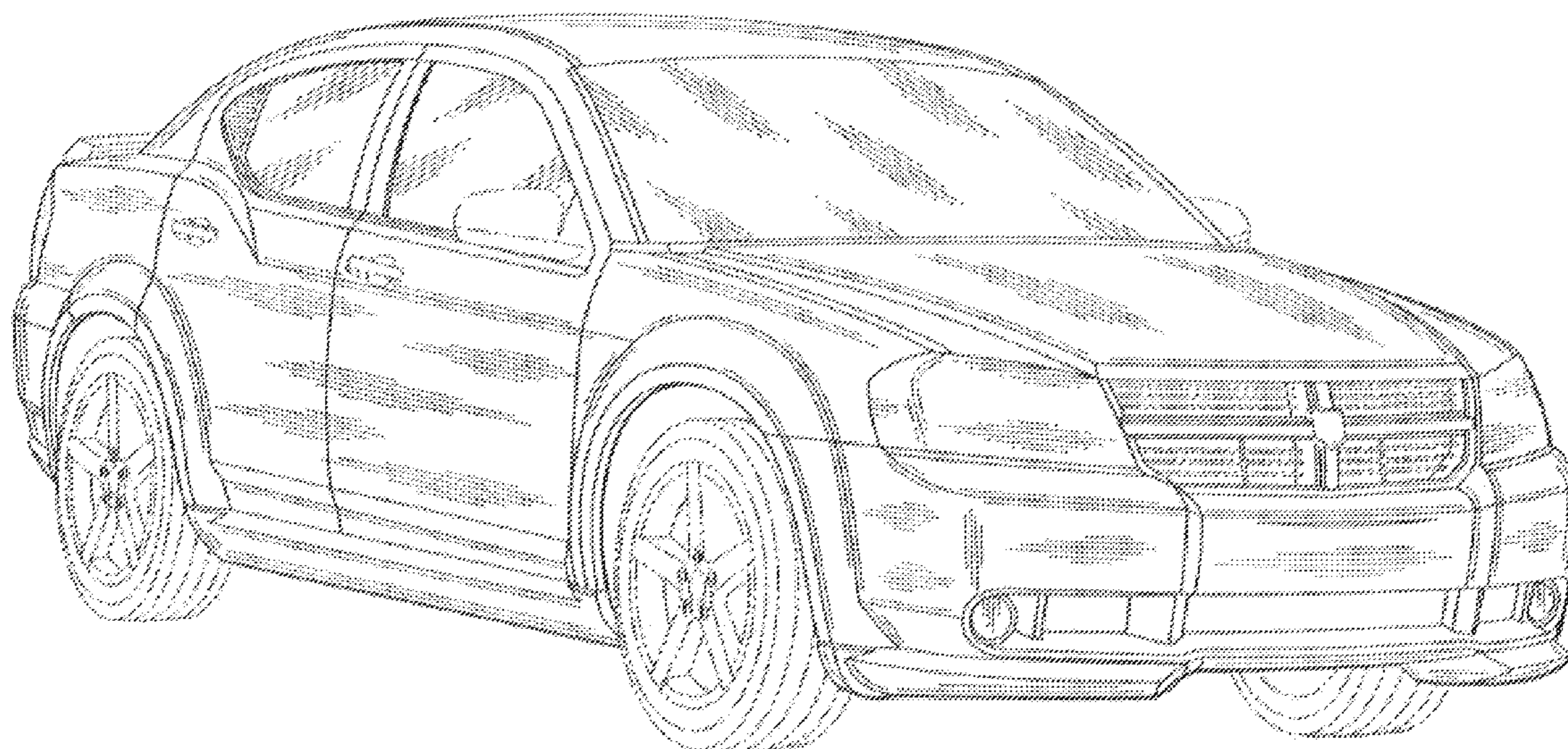
FIG. 4 is a rear view thereof;

FIG. 5 is a rear perspective view thereof; and,

FIG. 6 is a top plan view thereof.

It will be understood that the broken lines presented in the drawings are for illustration only, and do not form a part of the claimed design.

1 Claim, 5 Drawing Sheets



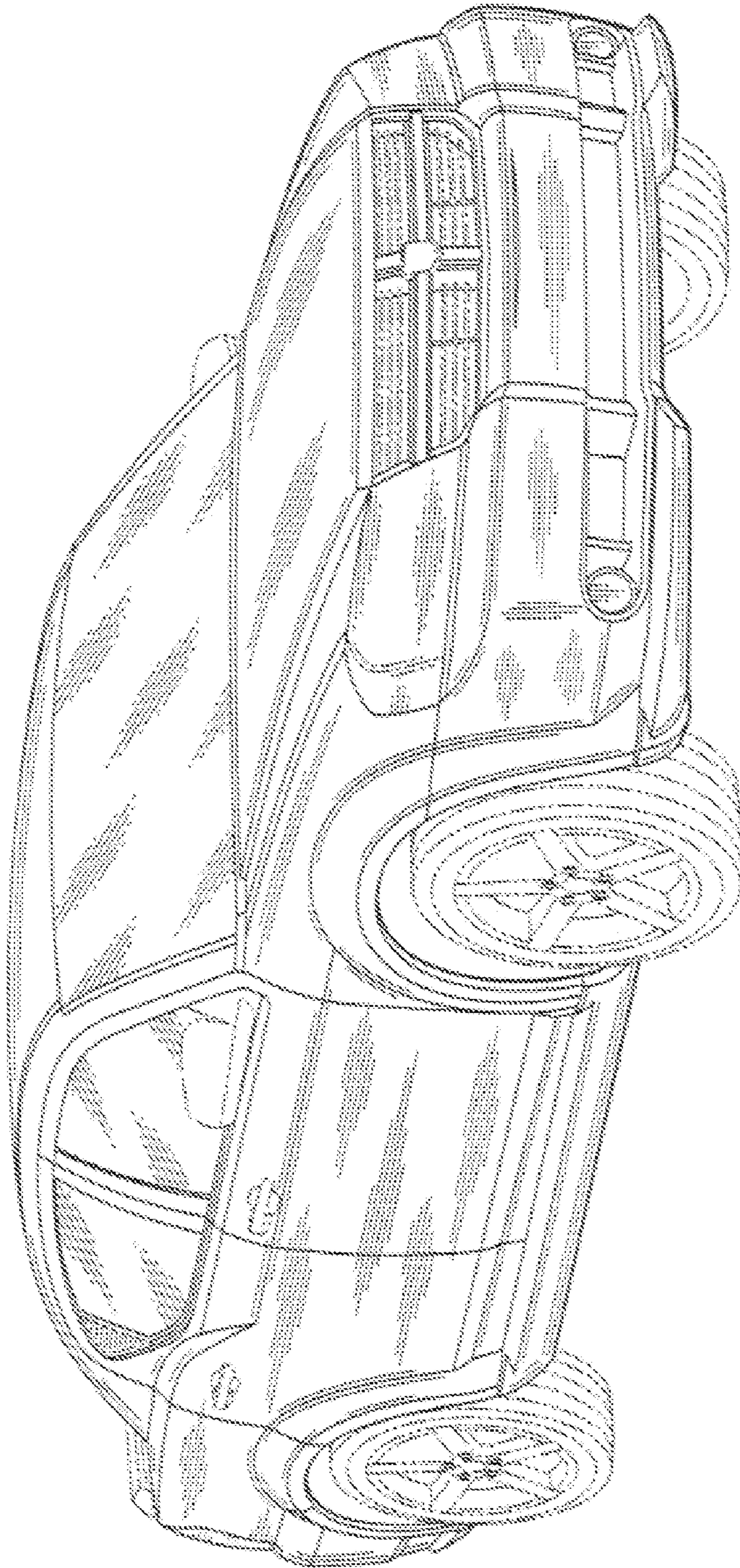


FIG. 1

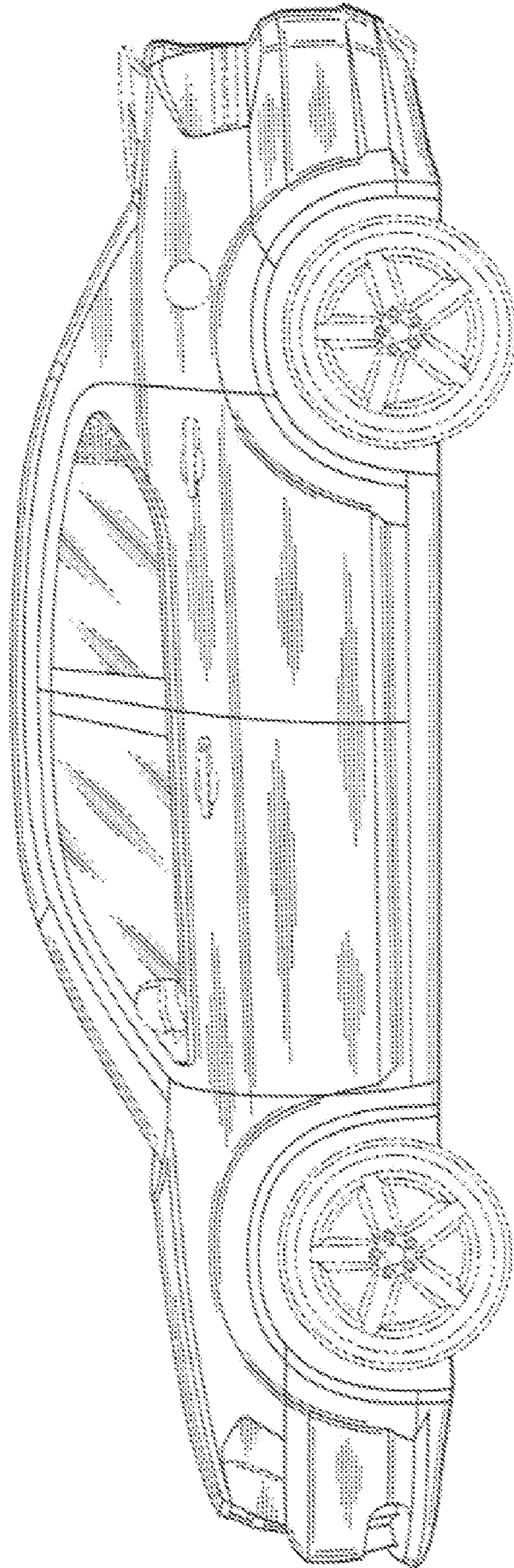


Fig. 2

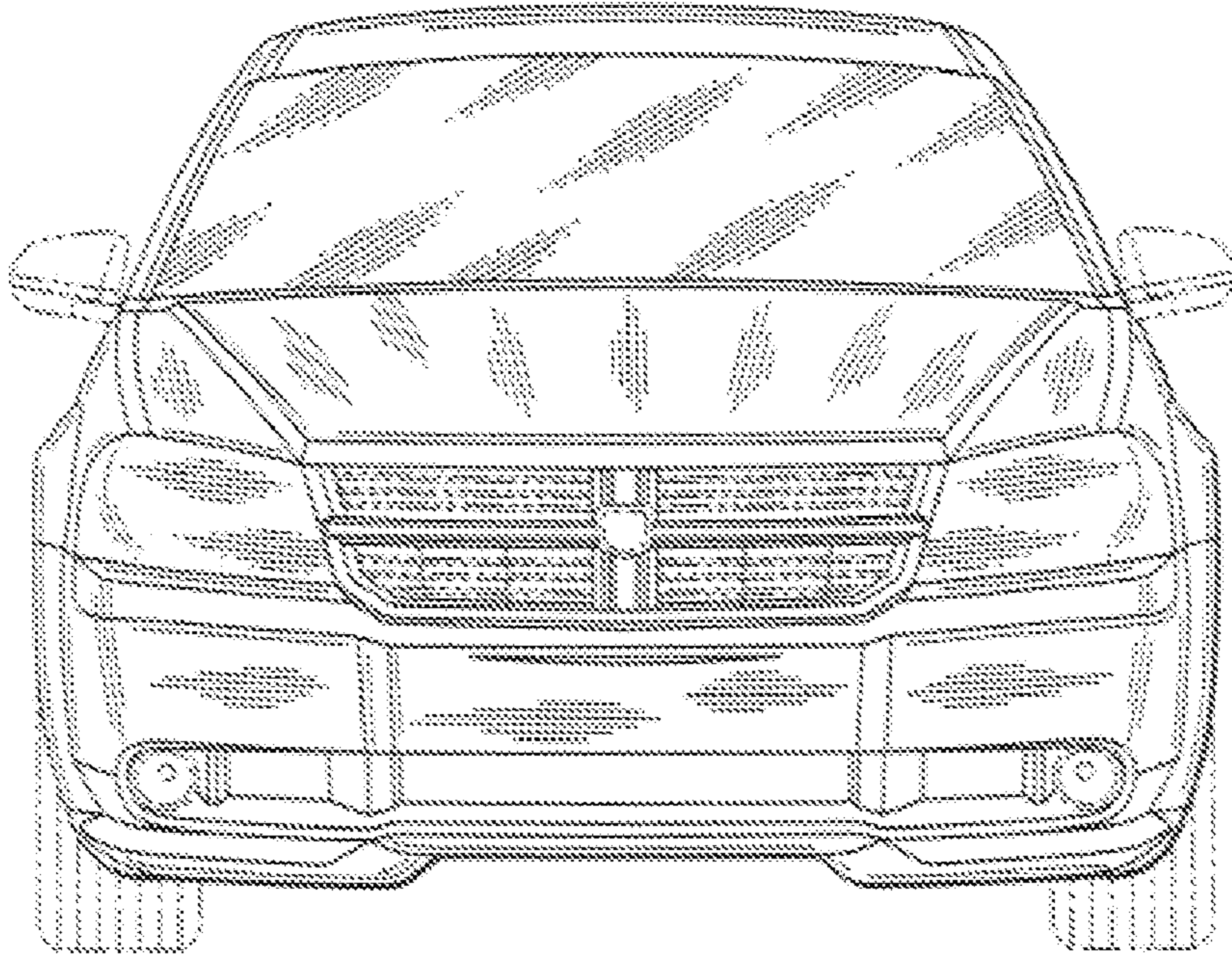


Fig. 3

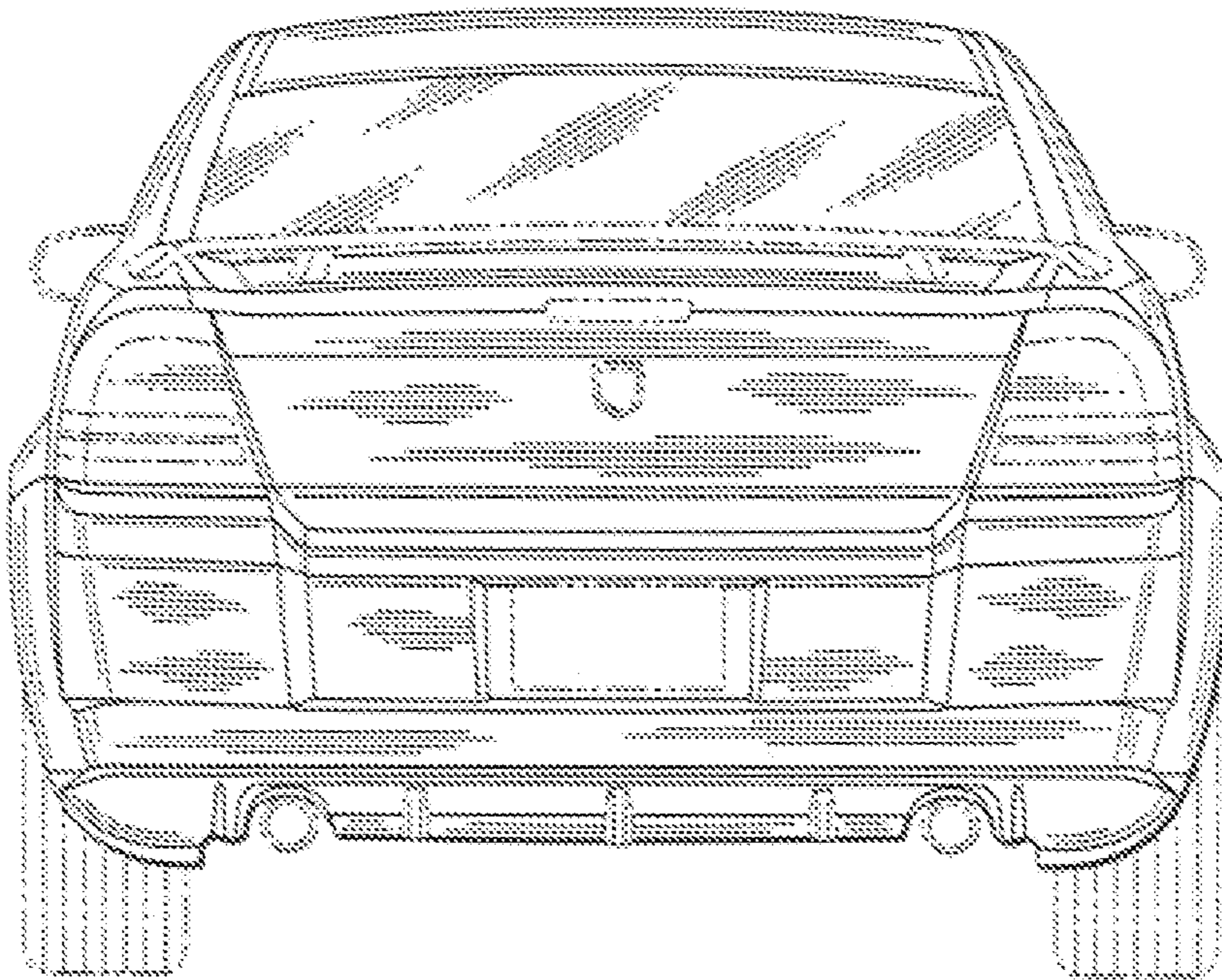


Fig. 4

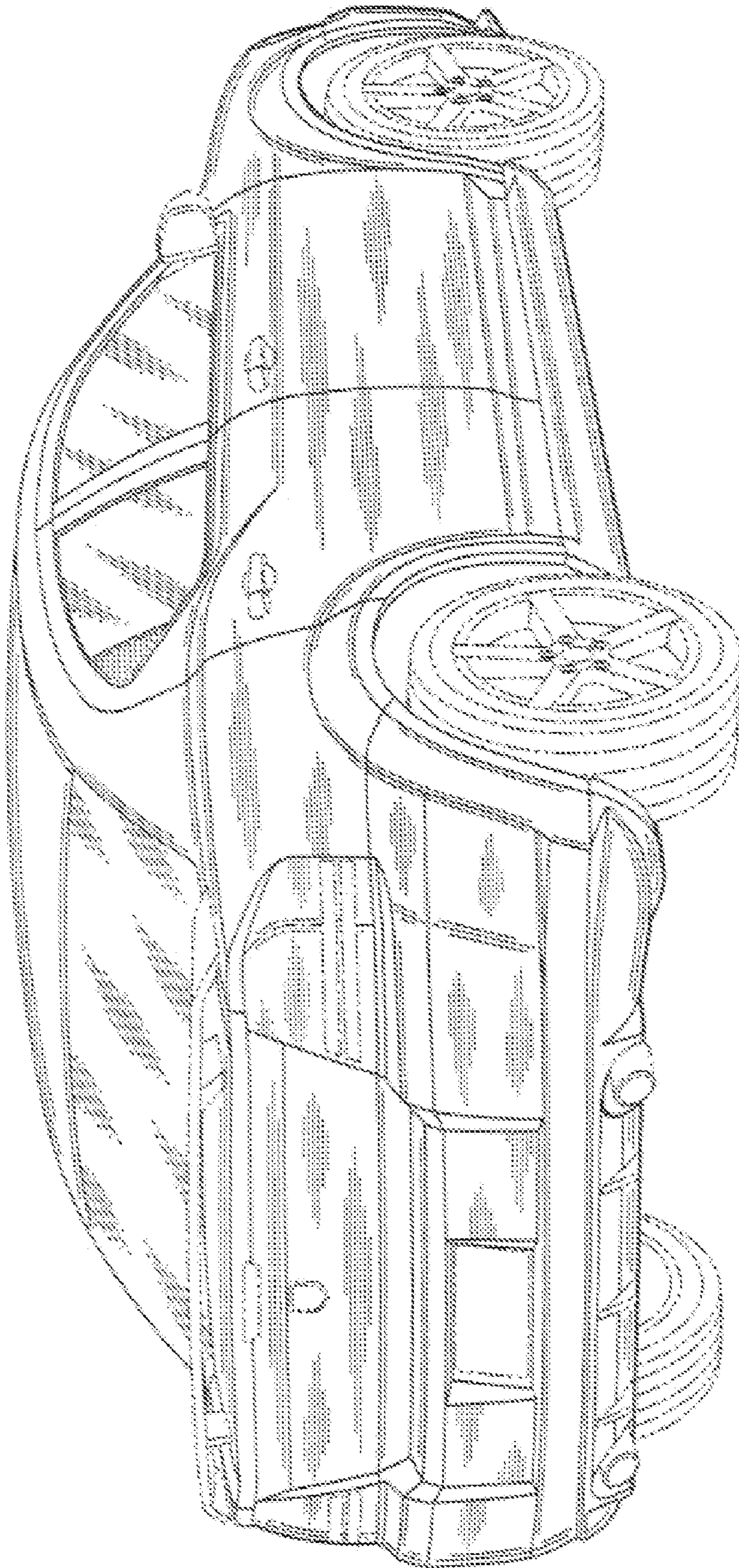


Fig. 5

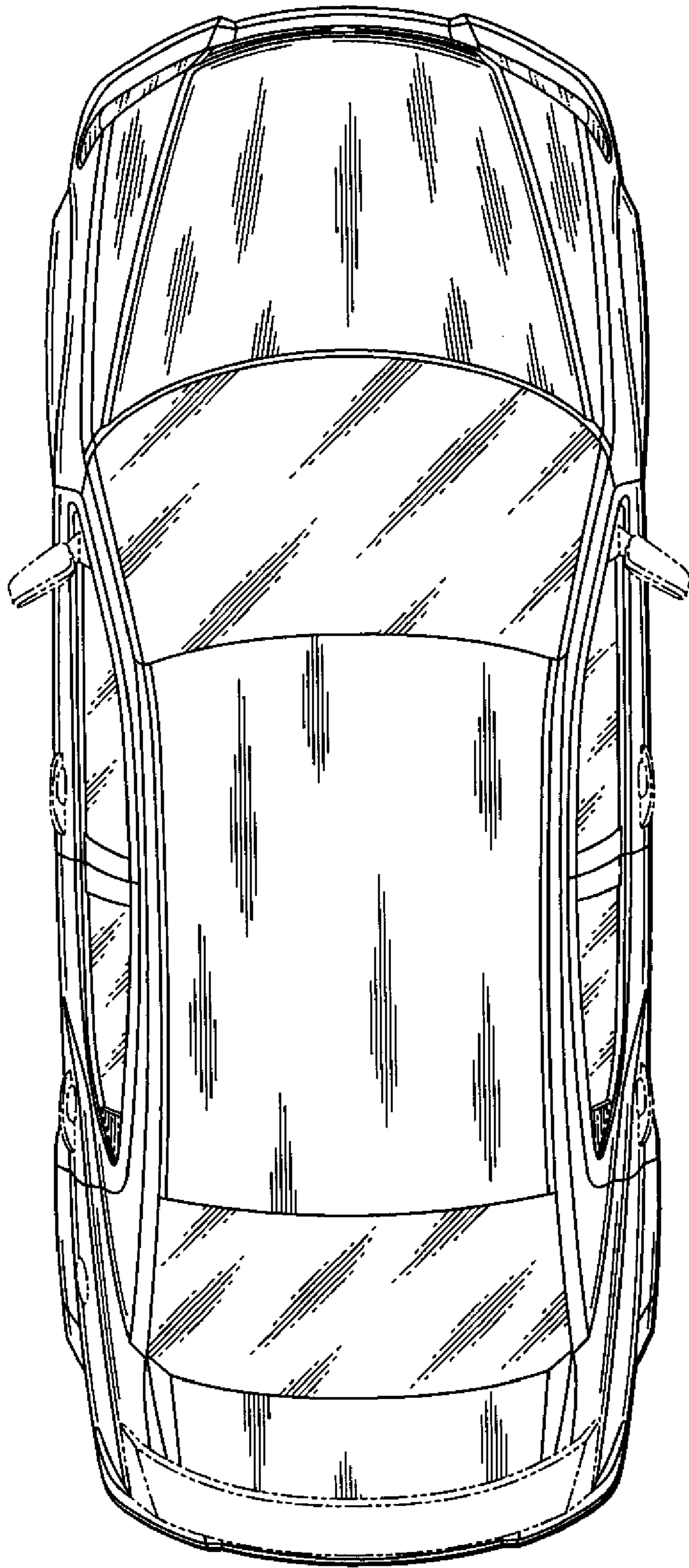


Fig. 6