



US00D551117S

(12) **United States Design Patent** (10) **Patent No.:** **US D551,117 S**
Edöcs (45) **Date of Patent:** **** Sep. 18, 2007**

(54) **CUFF LINK**

(57) **CLAIM**

(75) Inventor: **Janos Edöcs**, Magglingen (CH)

The ornamental design for a cuff link, as shown and described.

(73) Assignee: **Milus International SA** (CH)

(**) Term: **14 Years**

DESCRIPTION

(21) Appl. No.: **29/239,363**

FIG. 1 is a front view of a cuff link incorporating my new design.

(22) Filed: **Sep. 29, 2005**

FIG. 2 is a front view with frontal portion piece rotated to a second position.

(51) **LOC (8) Cl.** **02-07**

FIG. 3 is a front view with frontal portion piece rotated to a third position.

(52) **U.S. Cl.** **D11/222**

FIG. 4 is a front view with frontal portion piece rotated to a fourth position.

(58) **Field of Classification Search** D11/222,
D11/200, 213–216, 226–228; 24/41–47
See application file for complete search history.

FIG. 5 is a back view.

(56) **References Cited**

FIG. 6 is a back view with link pin rotated to a second position.

U.S. PATENT DOCUMENTS

FIG. 7 is a top plan view.

| | | | | |
|--------------|---------|---------------|-------|---------|
| D397,064 S * | 8/1998 | Nelson | | D11/222 |
| D415,068 S * | 10/1999 | Calvani | | D11/222 |
| D446,751 S * | 8/2001 | Xidakou | | D11/222 |
| D449,564 S * | 10/2001 | Platt | | D11/222 |
| D508,432 S * | 8/2005 | Cogoli et al. | | D11/222 |

FIG. 8 is a bottom plan view.

* cited by examiner

FIG. 9 is a bottom plan view with link pin in said second position.

Primary Examiner—Catherine R. Oliver

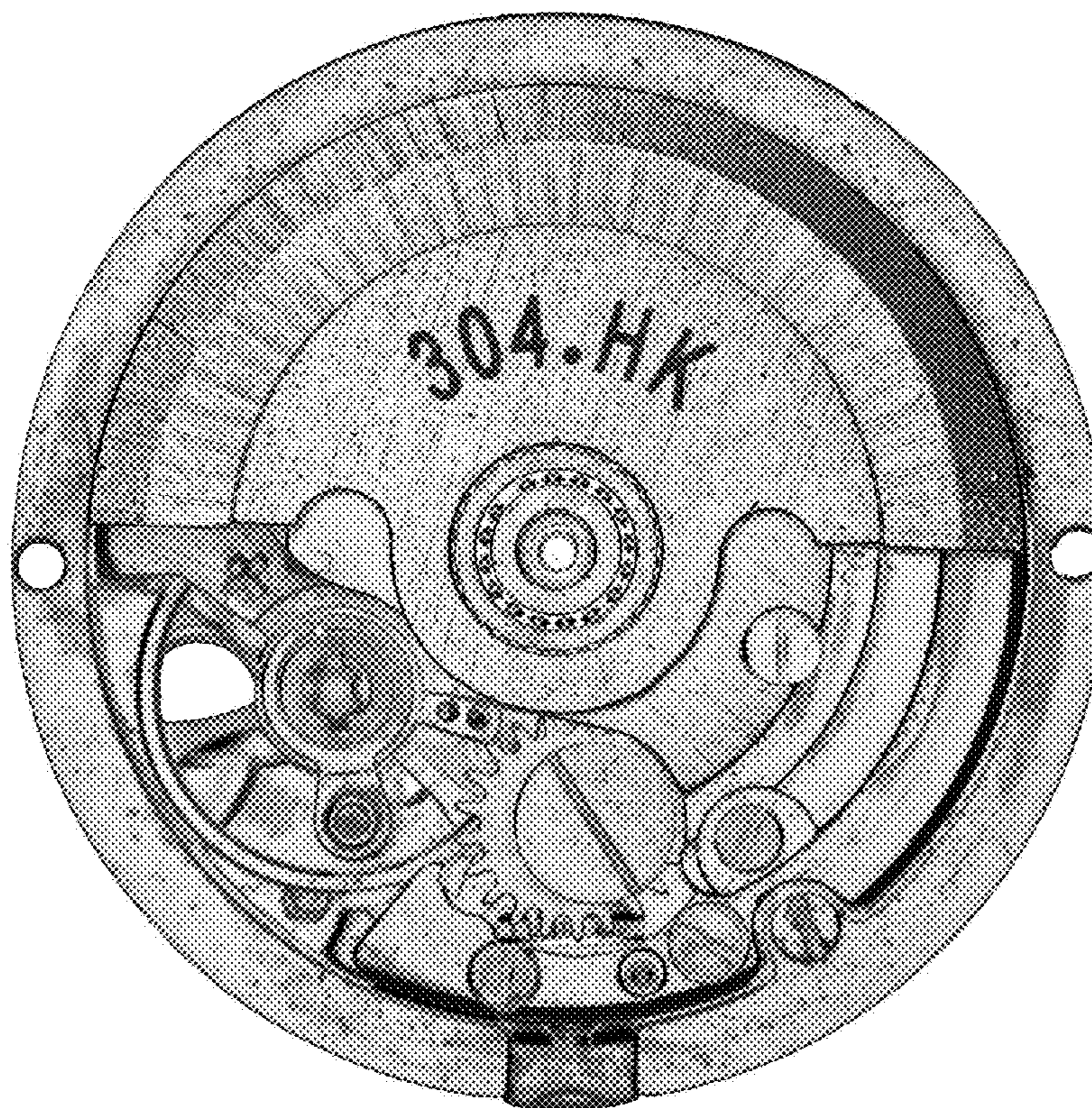
FIG. 10 is a left side elevational view.

(74) *Attorney, Agent, or Firm*—Woodard, Emhardt,
Moriarty, McNett & Henry LLP

FIG. 11 is a right side elevational view; and,

FIG. 12 is a perspective view.

1 Claim, 12 Drawing Sheets



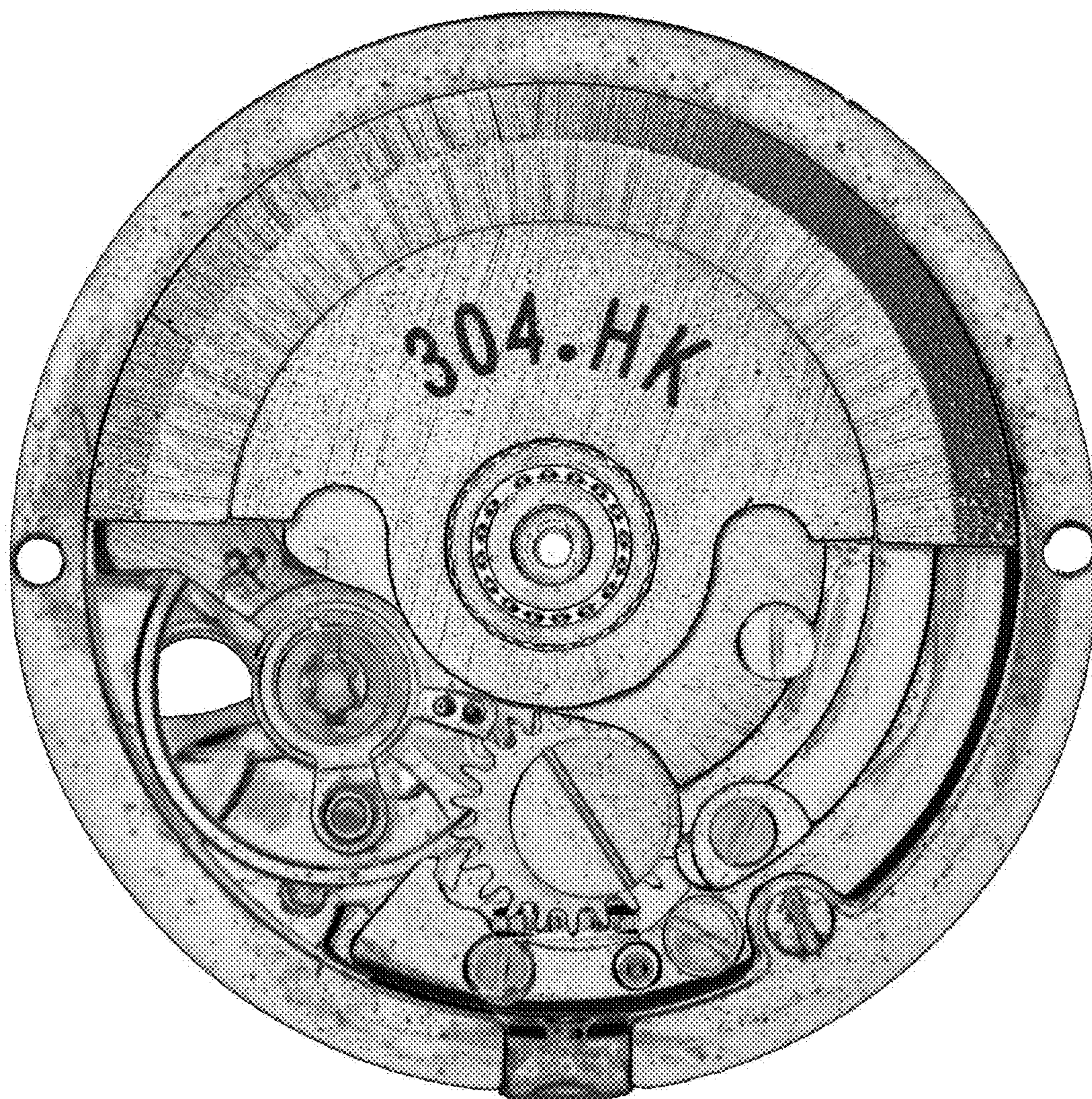


Fig. 1

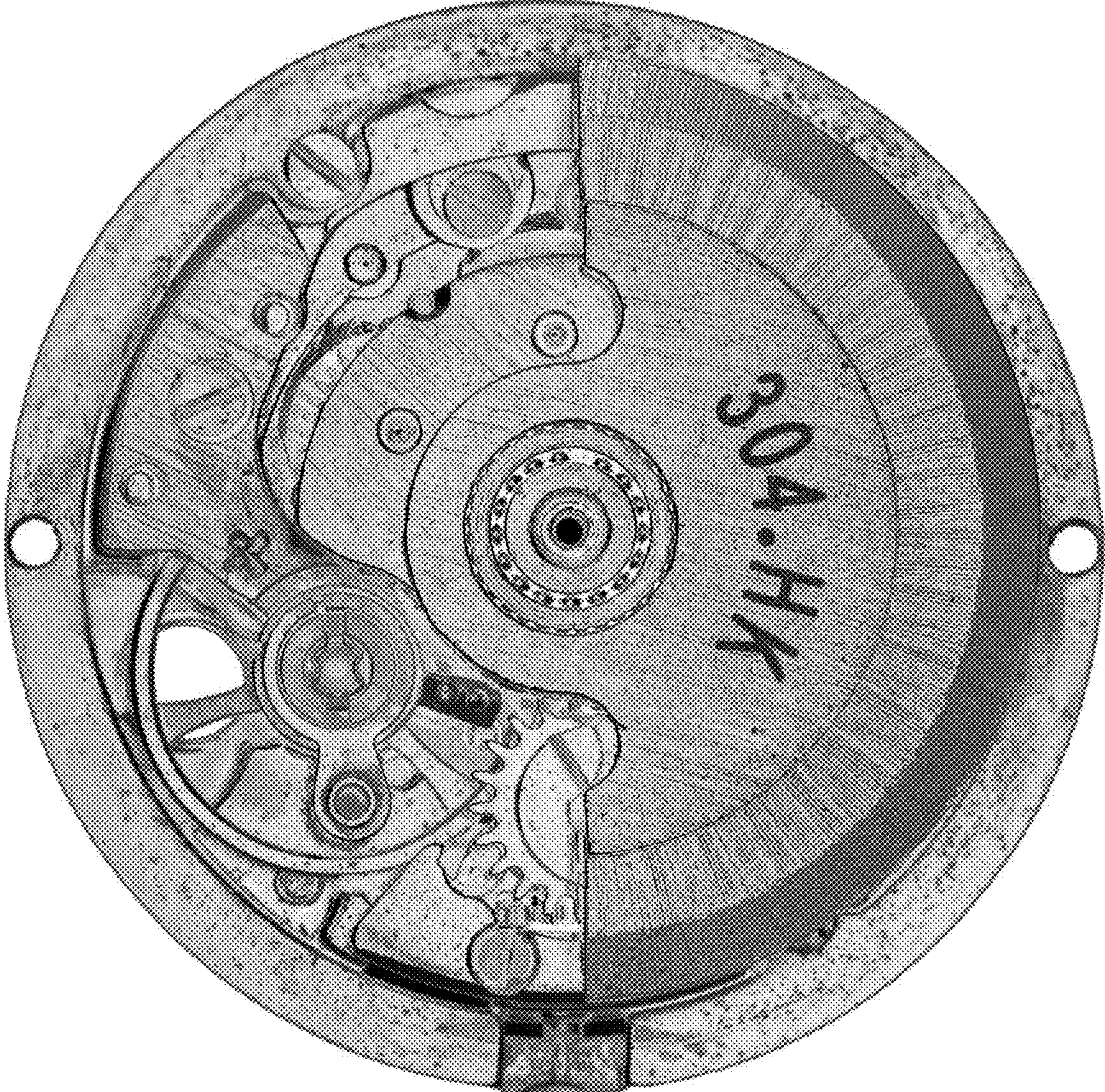


Fig. 2

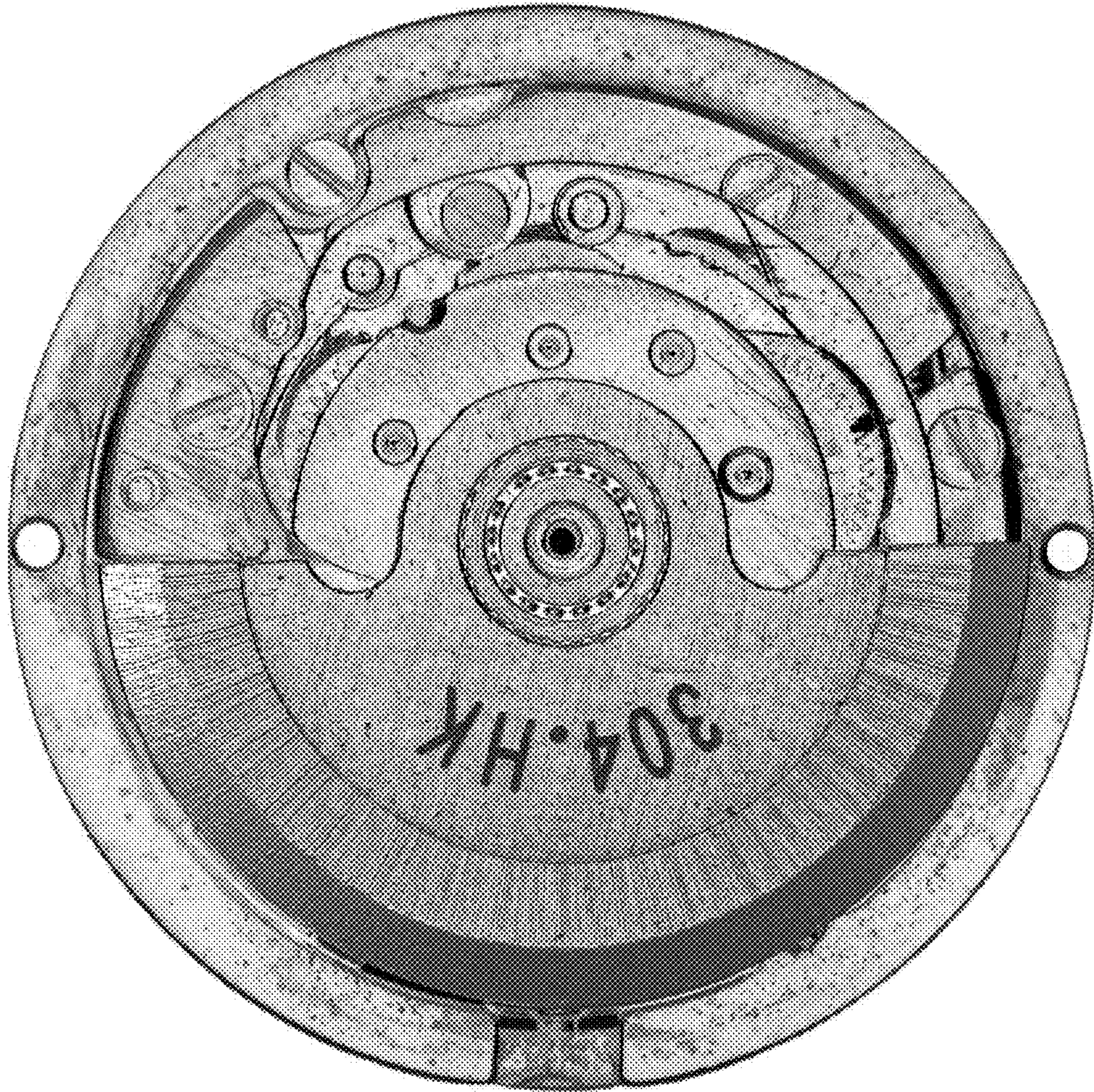


Fig. 3

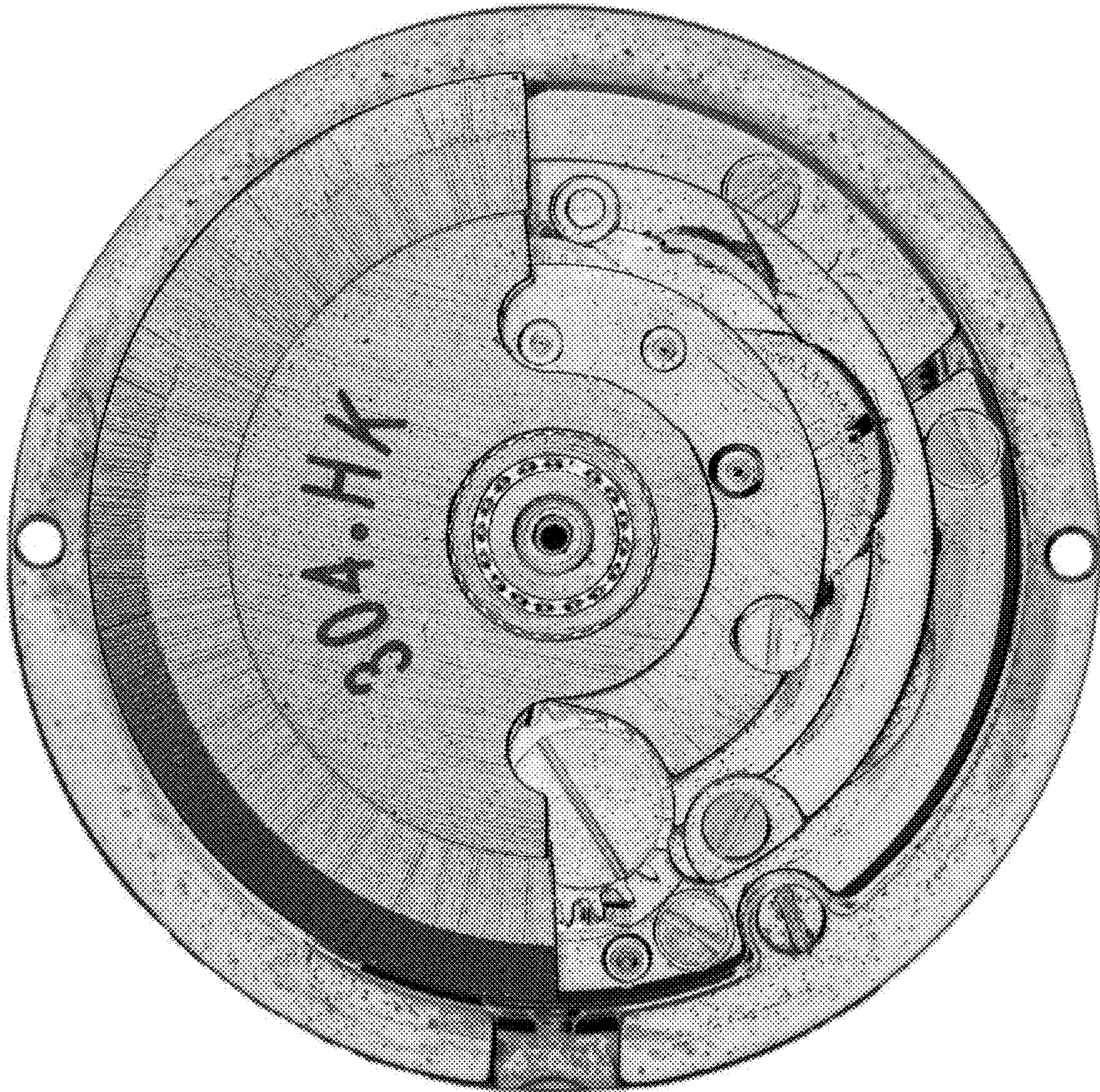


Fig. 4

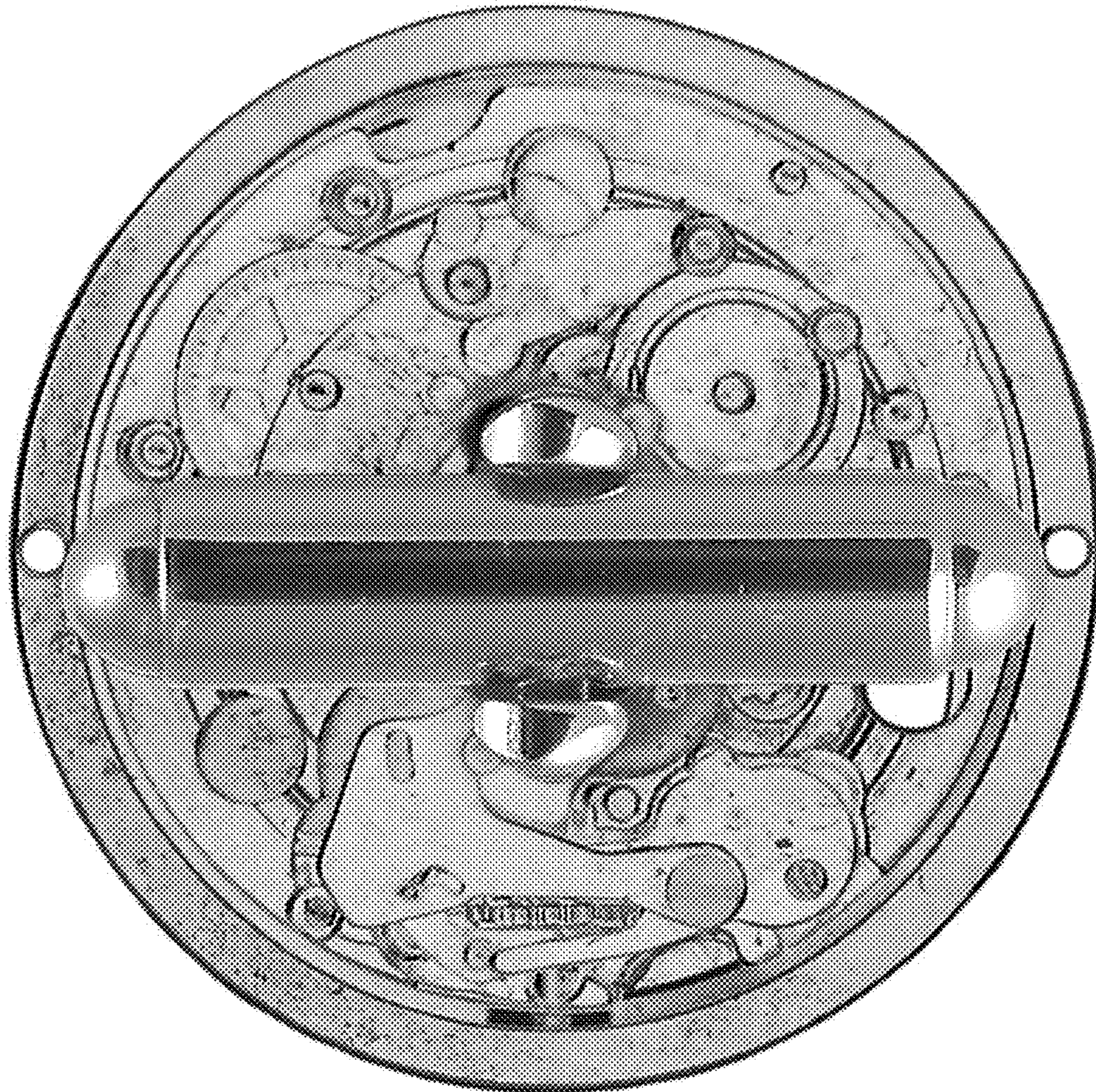


Fig. 5



Fig. 6



Fig. 7

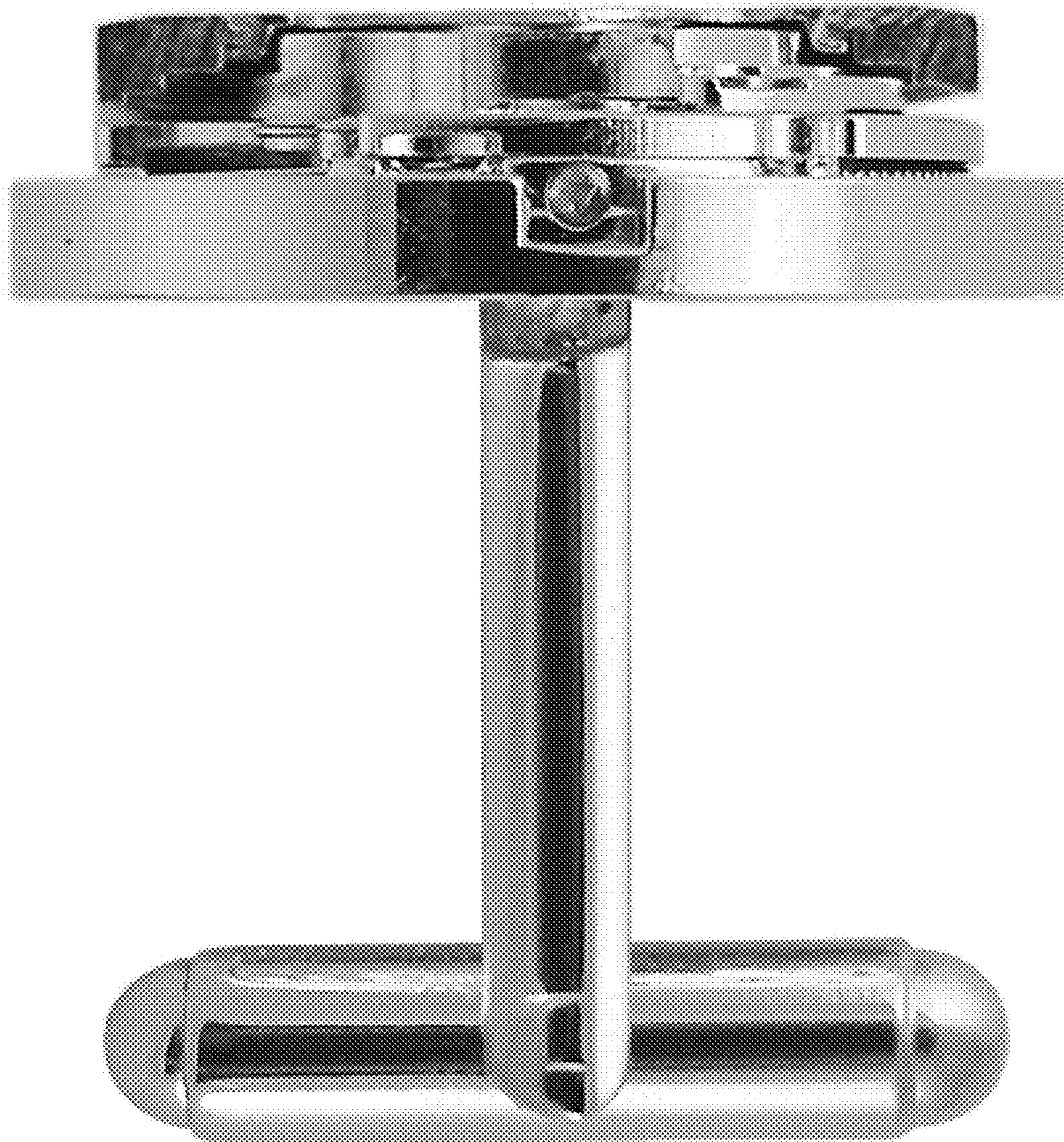


Fig. 8



Fig. 9

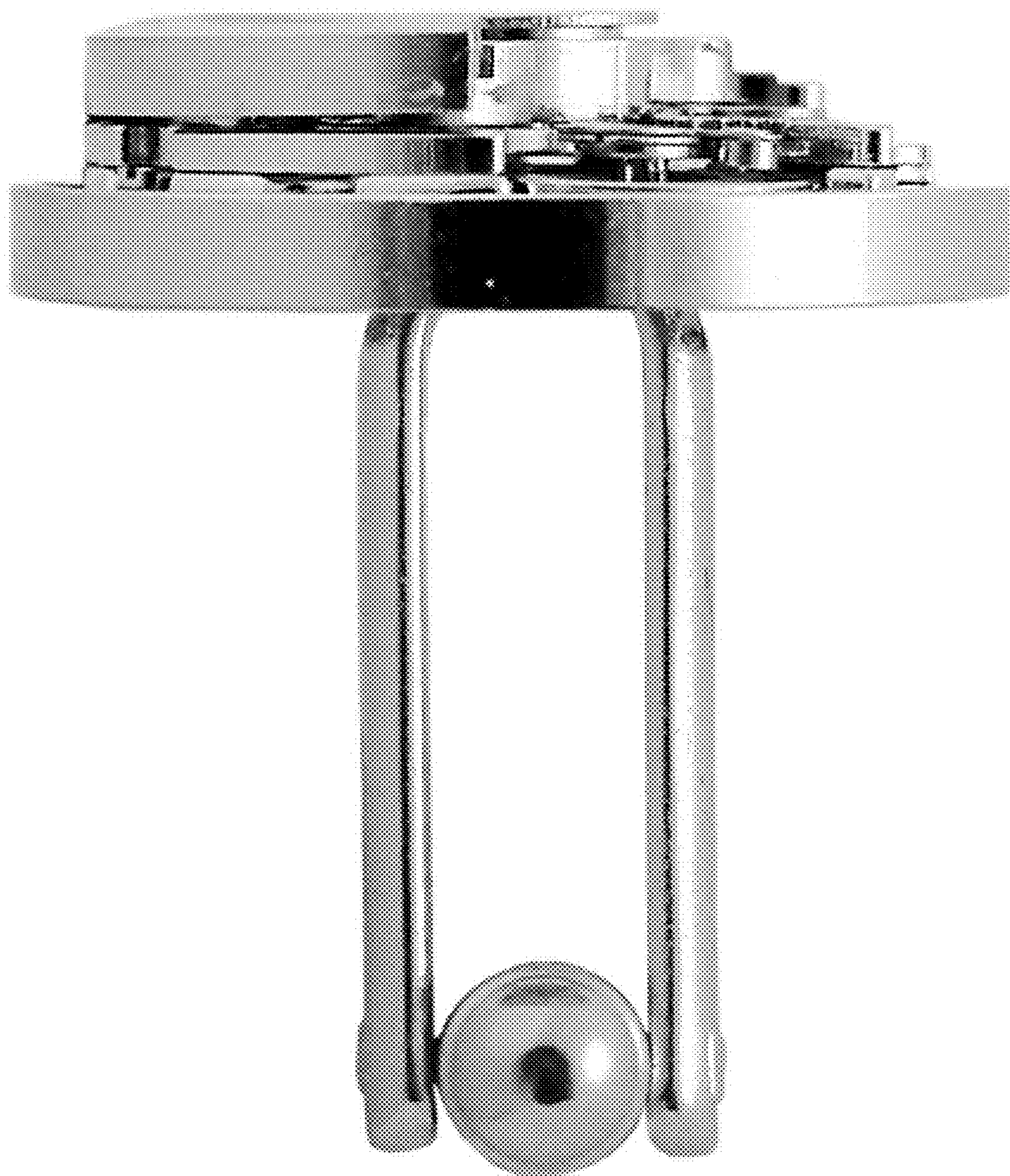


Fig. 10



Fig. 11

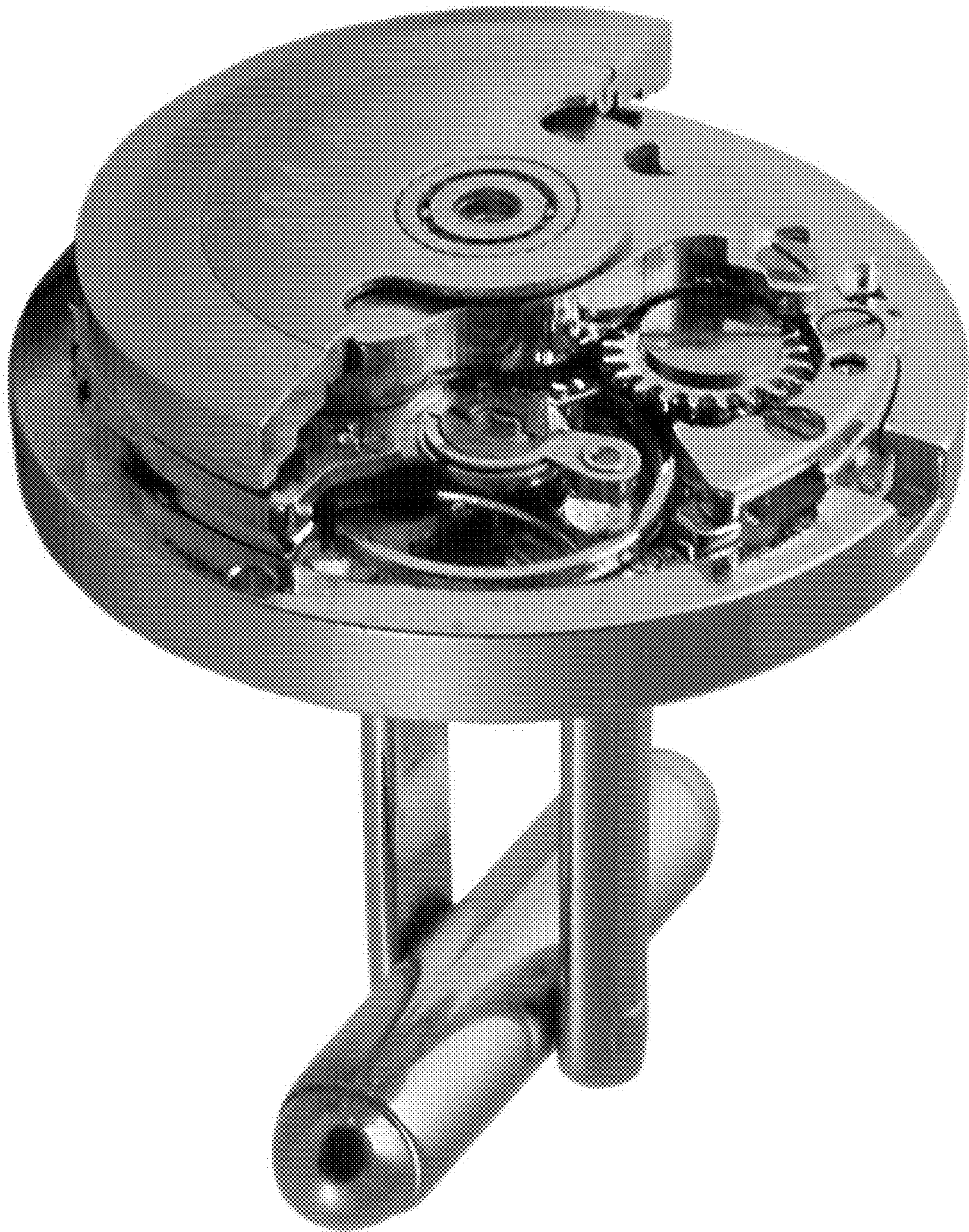


Fig. 12