



US00D551115S

(12) **United States Design Patent**  
**Azrielant**

(10) **Patent No.:** **US D551,115 S**

(45) **Date of Patent:** **\*\* Sep. 18, 2007**

(54) **TWO STONES JEWELRY PIECE**

(57) **CLAIM**

(75) Inventor: **Ofer Azrielant**, New York, NY (US)

The ornamental design for a two stones jewelry piece, as shown and described.

(73) Assignee: **Andin International, Inc.**, New York, NY (US)

(\*\*) Term: **14 Years**

**DESCRIPTION**

(21) Appl. No.: **29/264,929**

FIG. 1 is a perspective view of the two stone jewelry piece showing my new design;

(22) Filed: **Aug. 22, 2006**

FIG. 2 is a top view thereof;

(51) **LOC (8) Cl.** ..... **11-01**

FIG. 3 is a front view thereof;

(52) **U.S. Cl.** ..... **D11/79**

FIG. 4 is a side view thereof;

(58) **Field of Classification Search** ..... D11/1-2,  
D11/7, 40-44, 46-49, 53, 56-57, 59-61,  
D11/63, 65, 79-83, 86-87, 89-90, 99, 91-92,  
D11/101, 106, 114-116, 200-201; 63/1.11,  
63/18-20; D3/207-211

FIG. 5 is a perspective view of a second embodiment of my new design, the earring loop shown in dotted lines for illustrative purposes only and form no part of the claimed design;

See application file for complete search history.

FIG. 6 is a top view thereof;

(56) **References Cited**

FIG. 7 is a front view thereof;

**U.S. PATENT DOCUMENTS**

FIG. 8 is a side view thereof;

2,931,196 A \* 4/1960 Liftman ..... 63/31

FIG. 9 is a front view of a third embodiment of my new design, the part of a necklace shown in dotted lines for illustrative purposes only and form no part of the claimed design;

D301,318 S \* 5/1989 Yoshida ..... D11/79

FIG. 10 is a top plan view thereof;

D522,398 S \* 6/2006 Thapar ..... D11/79

FIG. 11 is a front view thereof; and,

\* cited by examiner

FIG. 12 is a side view thereof.

*Primary Examiner*—Ralf Seifert

(74) *Attorney, Agent, or Firm*—Gottlieb, Rackman & Reisman, P.C.

**1 Claim, 6 Drawing Sheets**

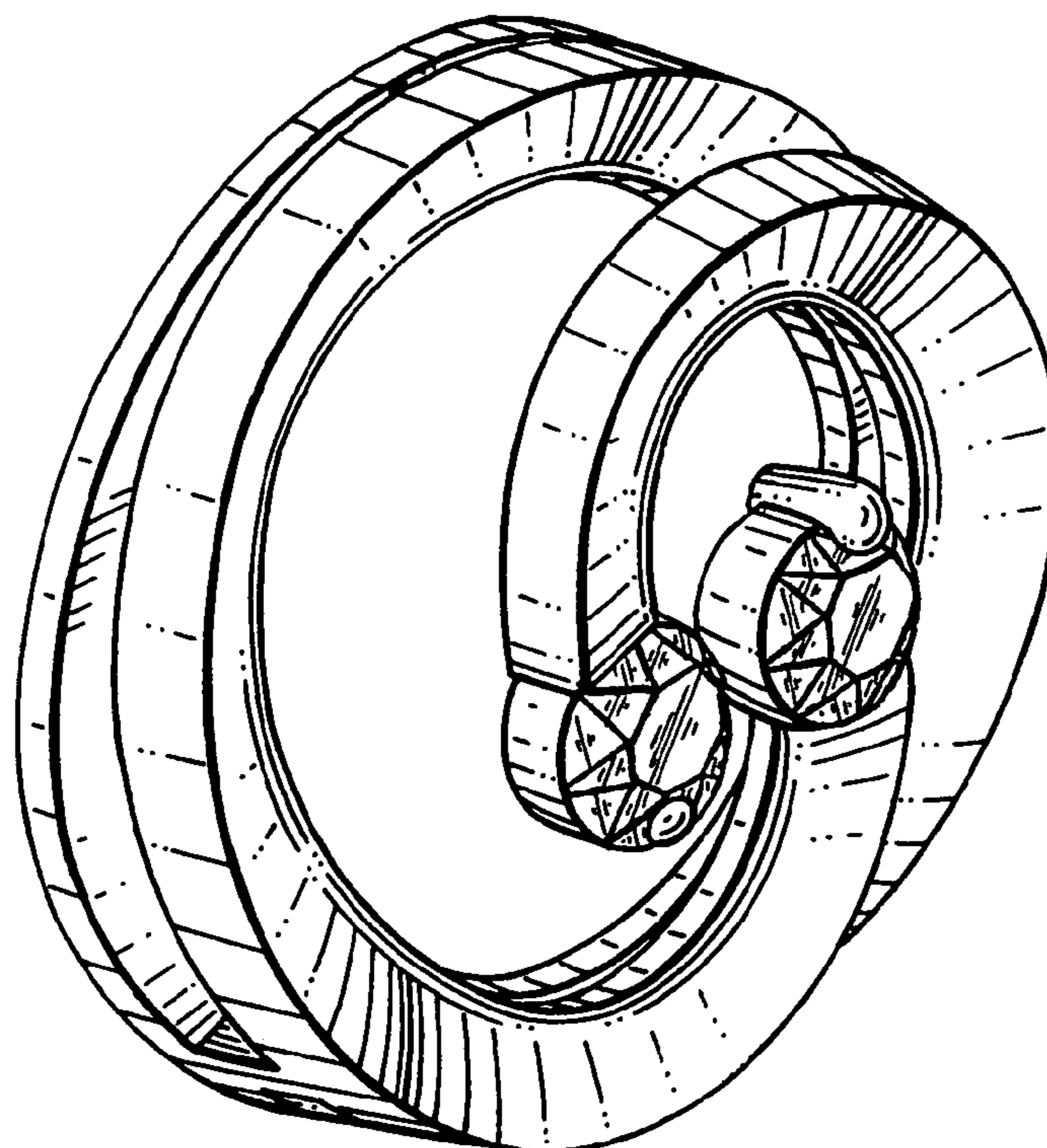


FIG. 1

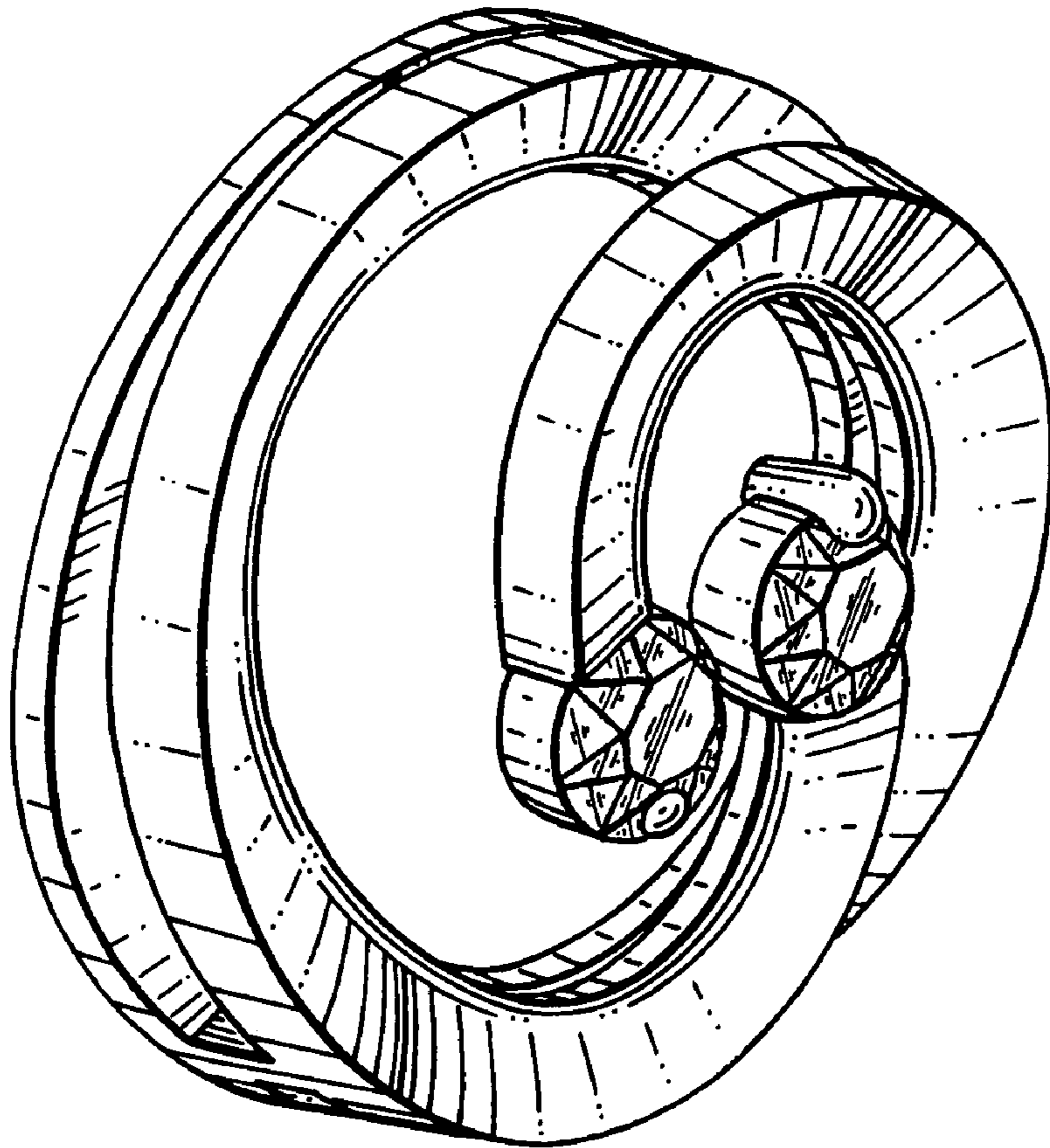


FIG. 2

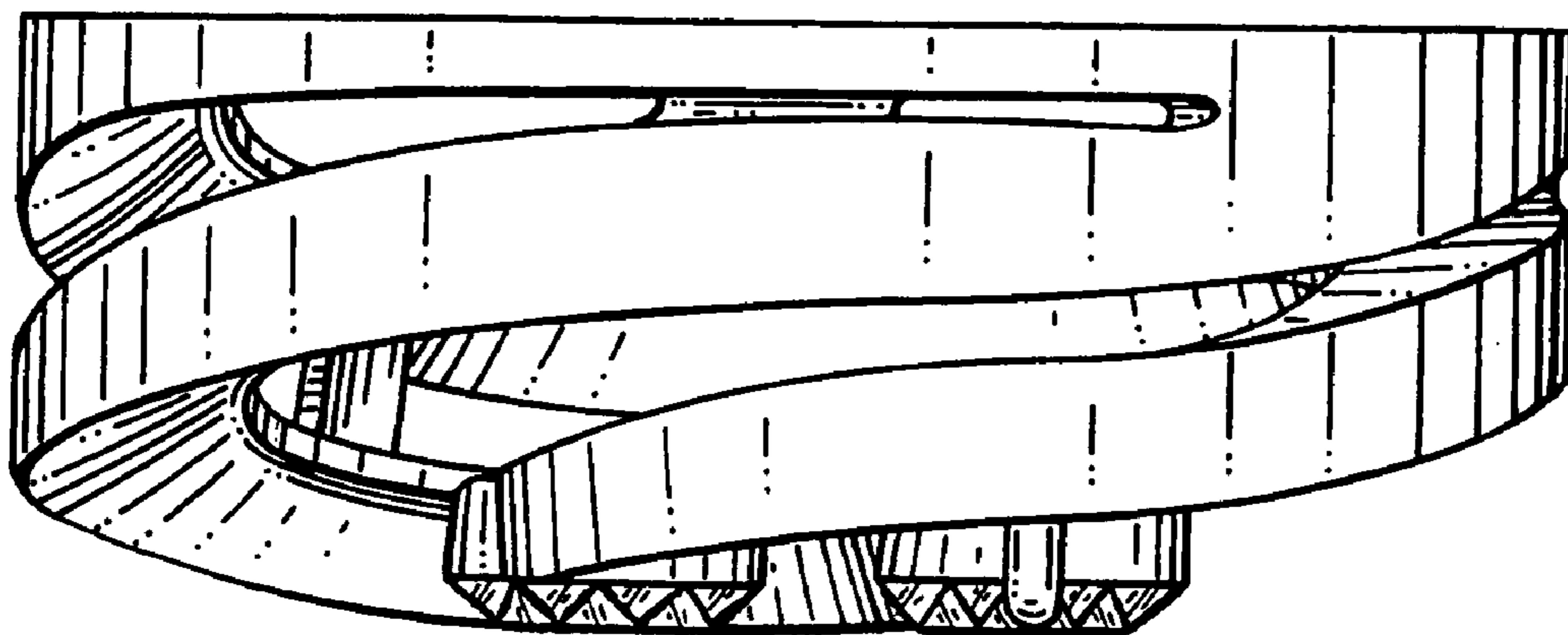


FIG. 4

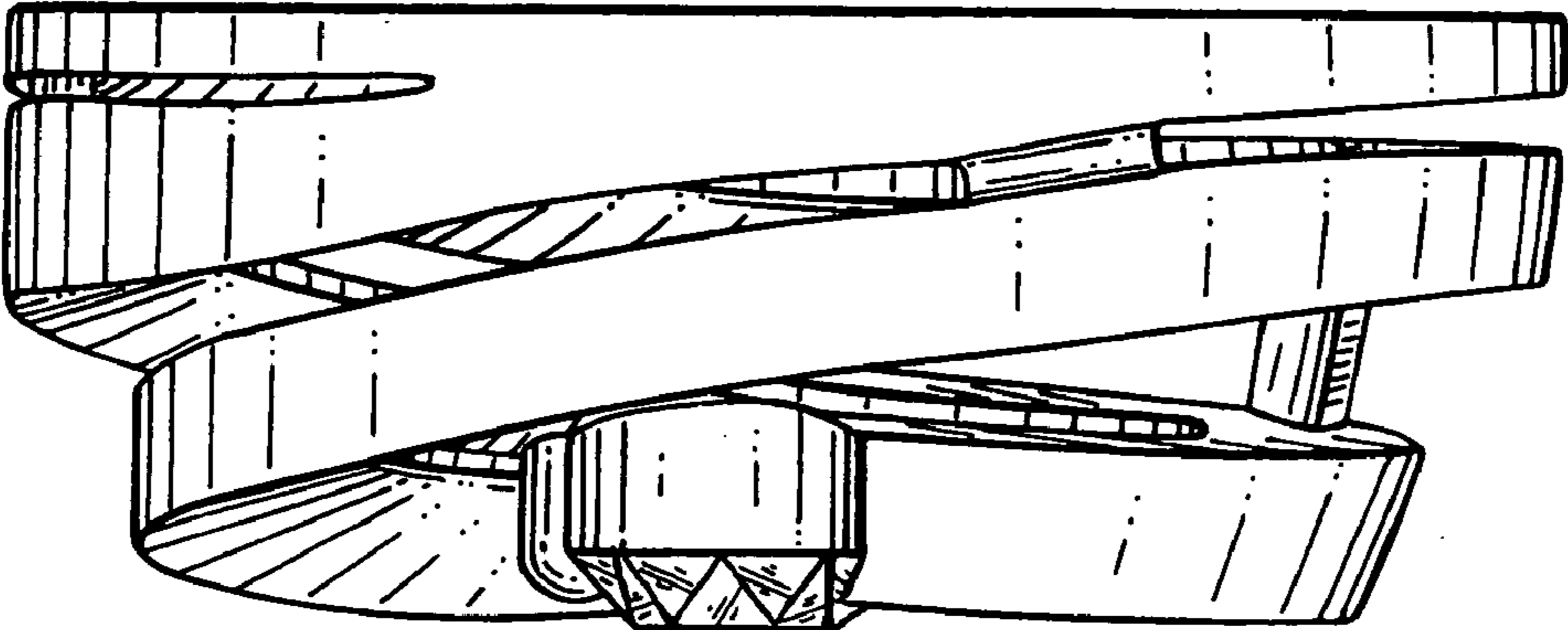
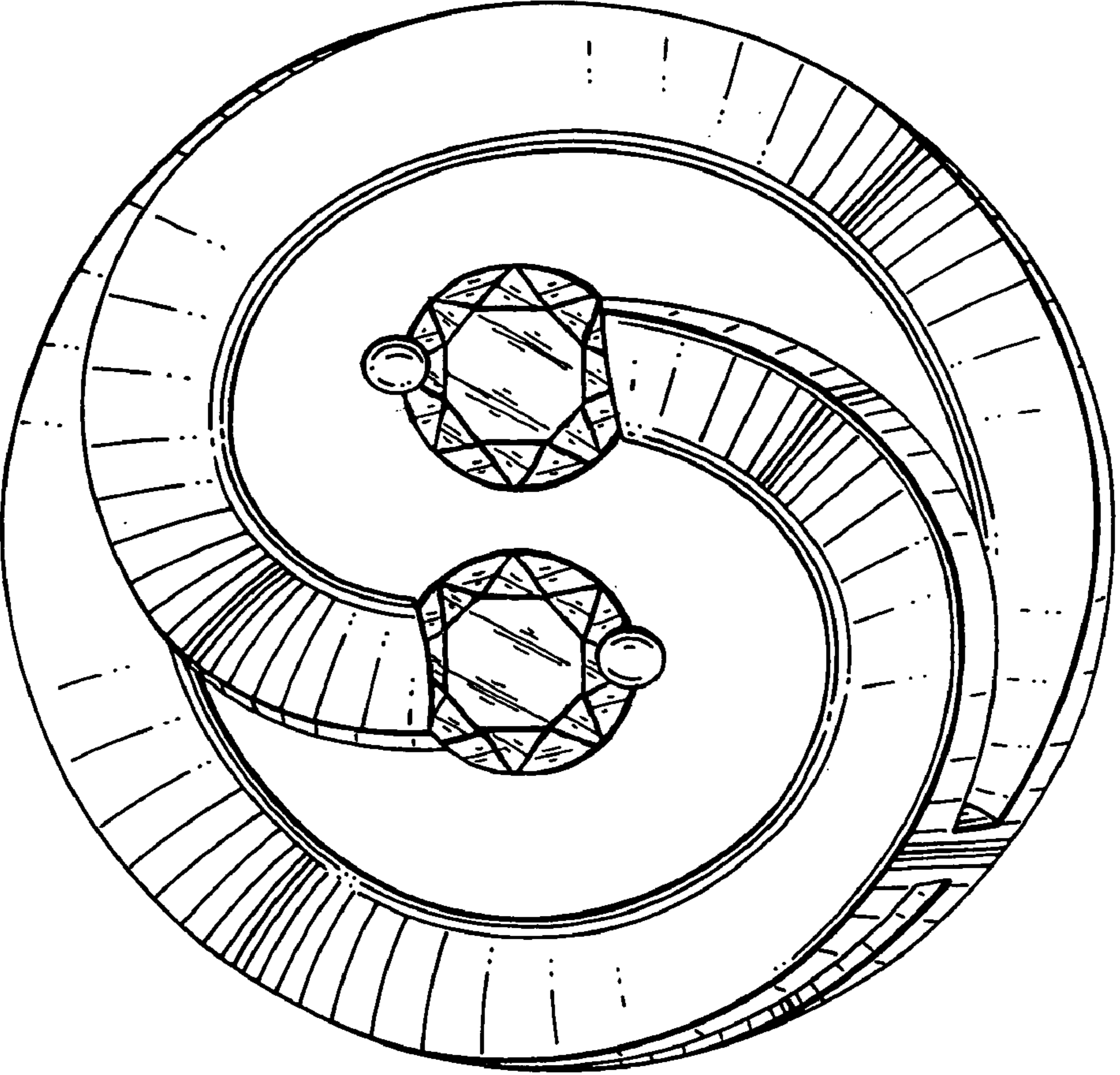


FIG. 3



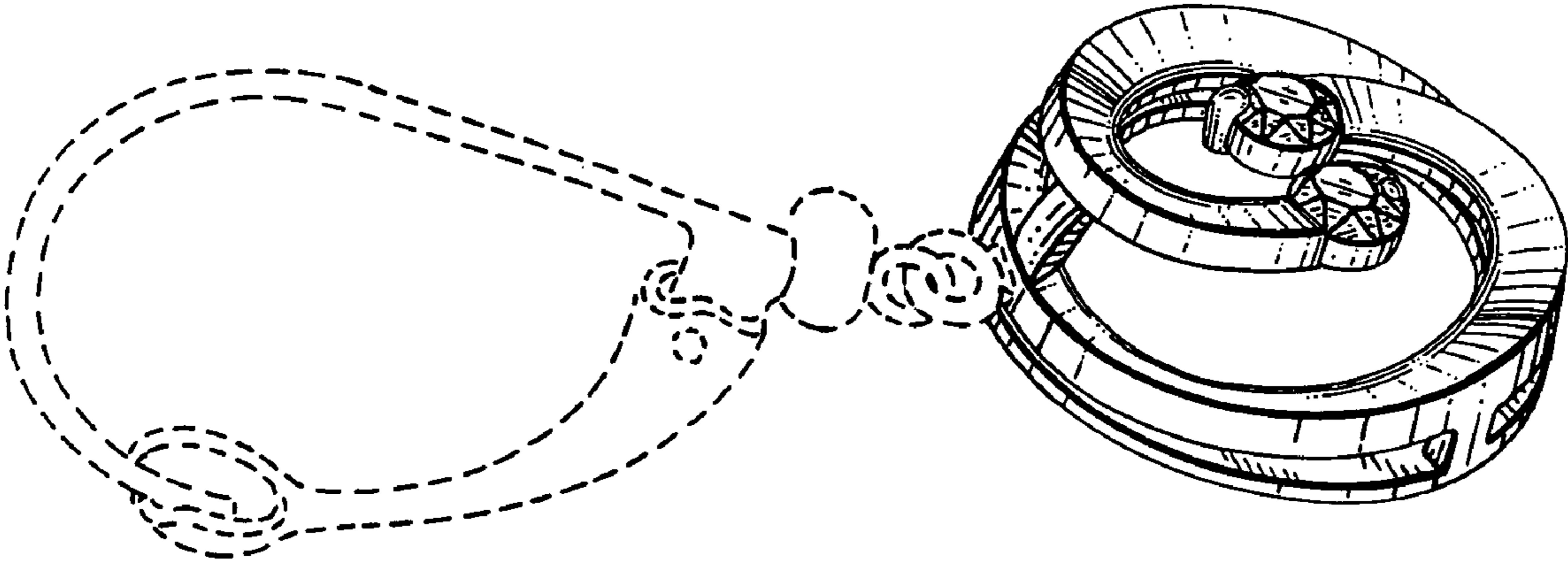


FIG. 5

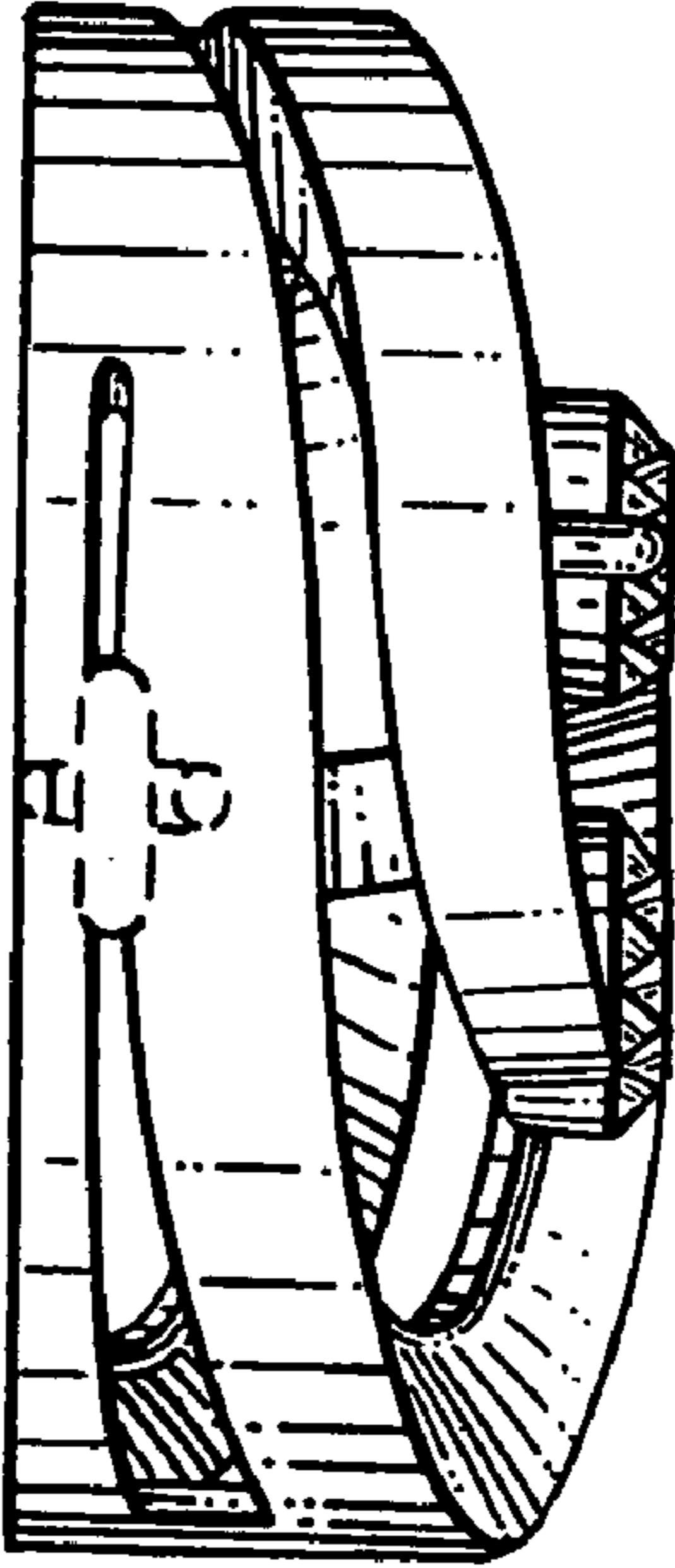


FIG. 6

FIG. 8

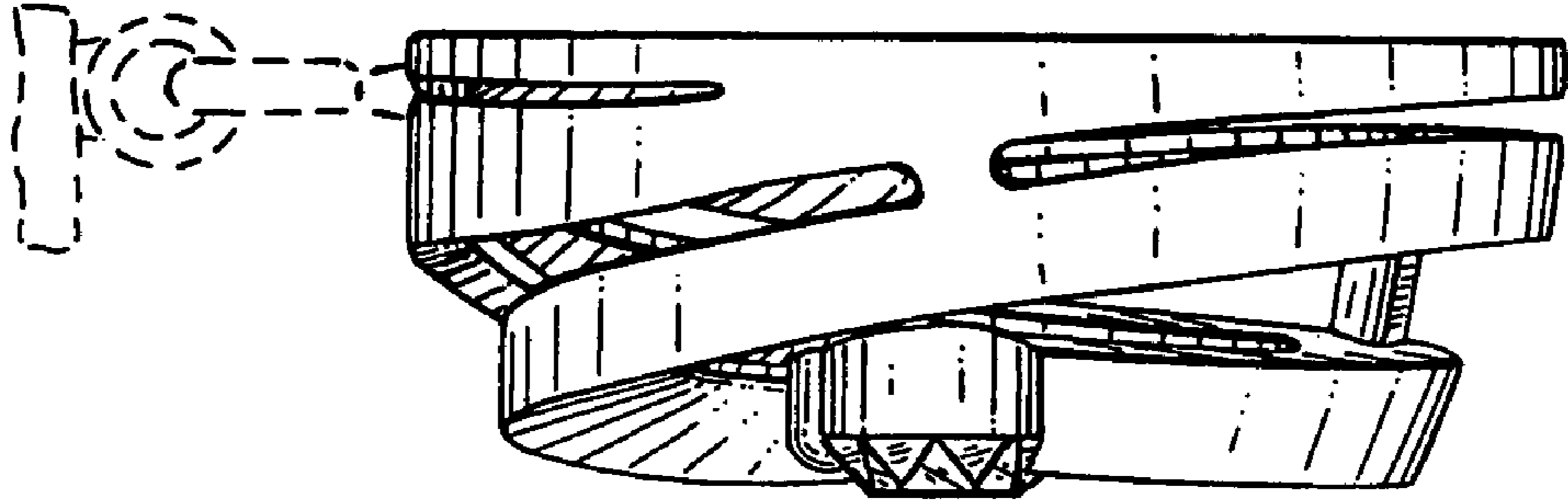


FIG. 7

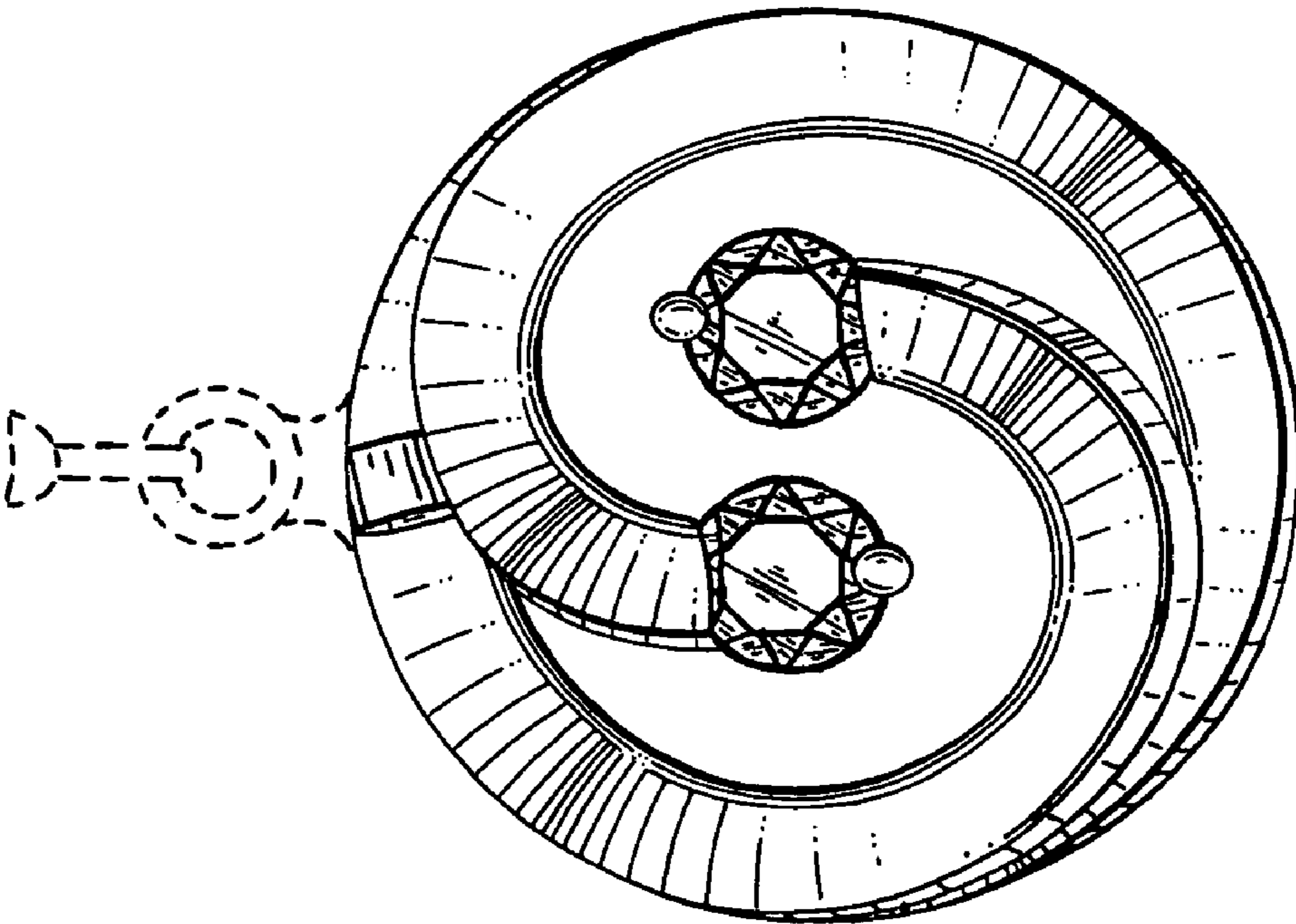


FIG. 9

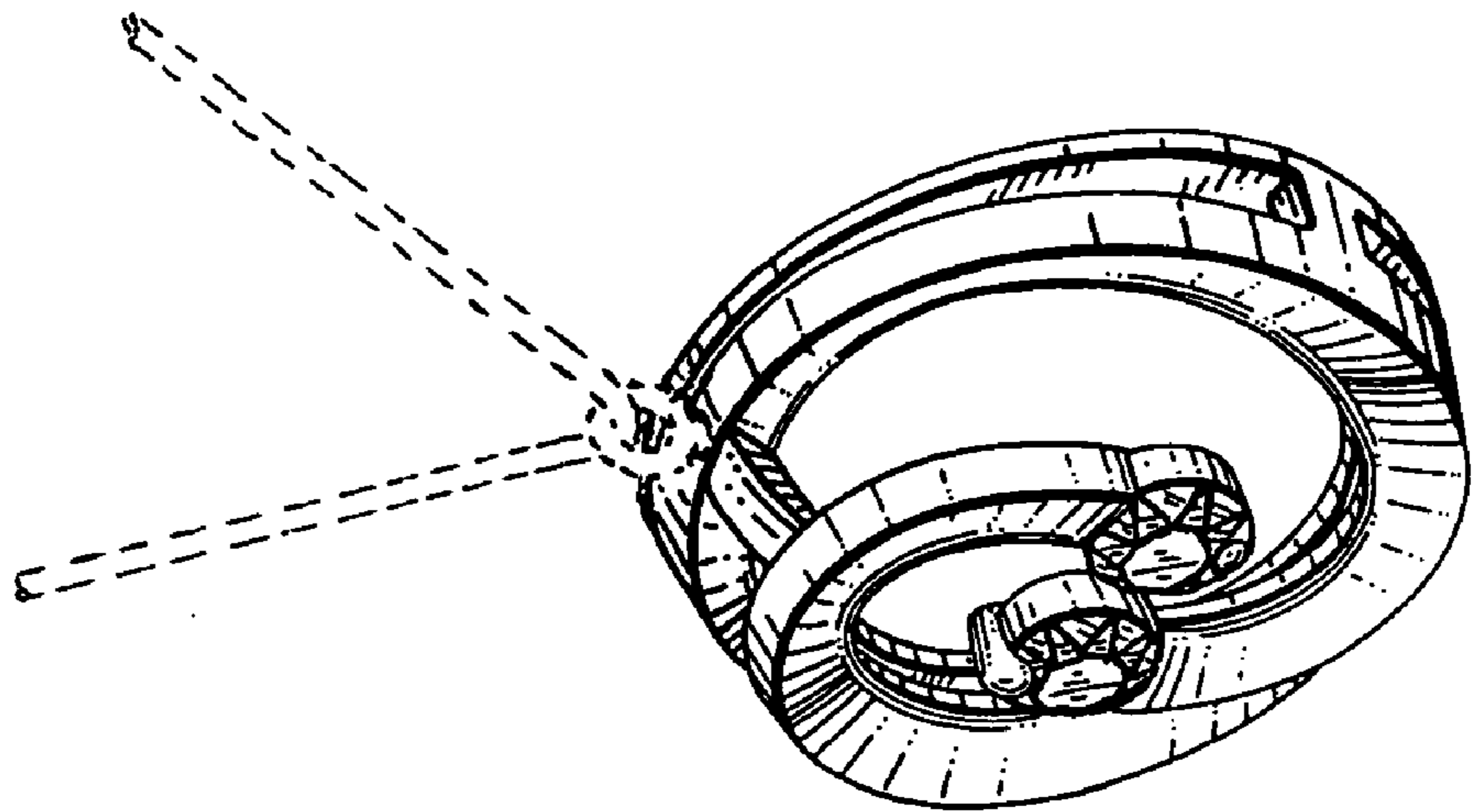


FIG. 10

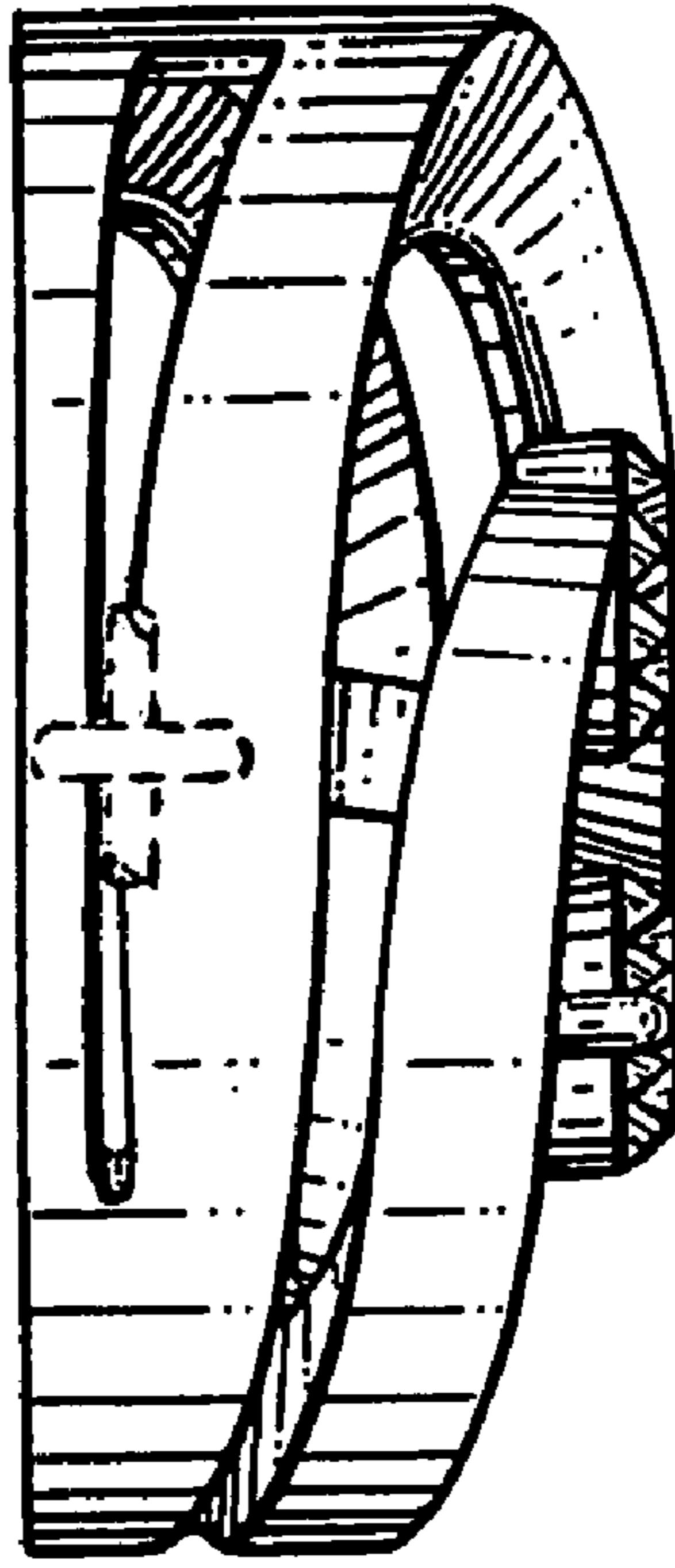


FIG. 12

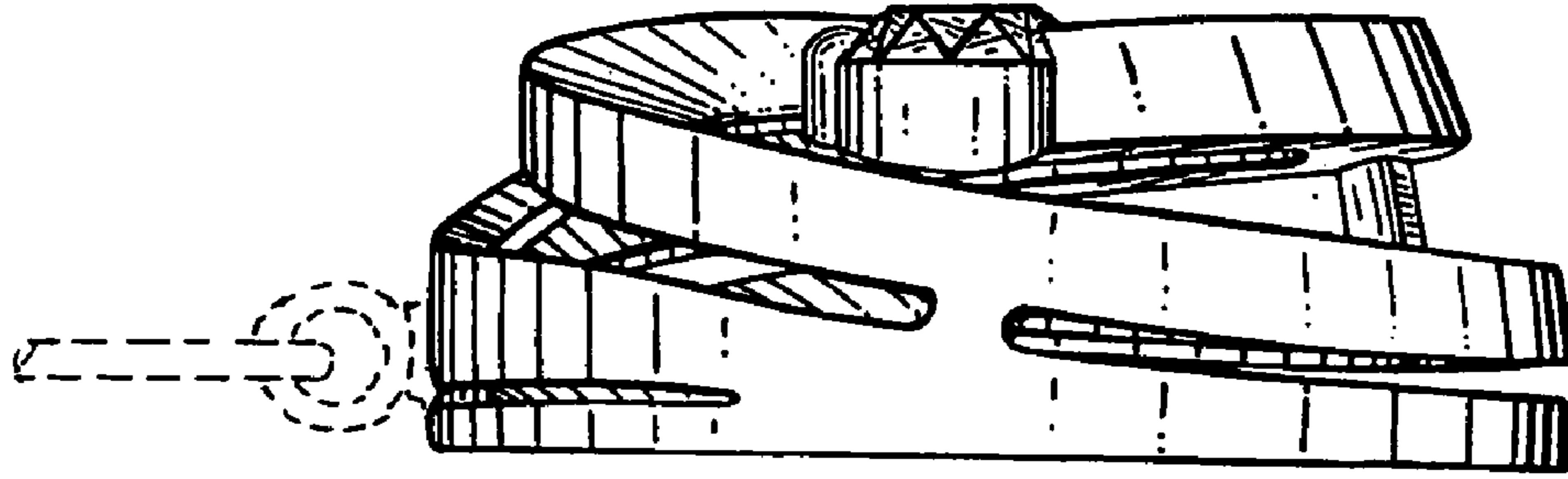


FIG. 11

