



US00D551107S

(12) **United States Design Patent**  
**Kuo**

(10) **Patent No.:** **US D551,107 S**

(45) **Date of Patent:** **\*\* Sep. 18, 2007**

(54) **WARNING LAMP**

(75) Inventor: **Po-Cho Kuo**, Hsin Tien (TW)

(73) Assignee: **Seven Stars Electronics Taiwan Ltd.**,  
Taipei Hsien (TW)

(\*\*) Term: **14 Years**

(21) Appl. No.: **29/268,491**

(22) Filed: **Nov. 8, 2006**

(51) **LOC (8) Cl.** ..... **10-05**

(52) **U.S. Cl.** ..... **D10/114**

(58) **Field of Classification Search** ..... D10/104-121;  
D20/39, 42, 20, 15, 10; D14/129, 126; D26/28,  
D26/31; 40/473, 592; 340/472, 486  
See application file for complete search history.

(56) **References Cited**

**U.S. PATENT DOCUMENTS**

D255,726 S *	7/1980	Leuthesser	.....	D26/31
D327,708 S *	7/1992	Schoelpple et al.	.....	D20/10
5,132,666 A *	7/1992	Fahs	.....	340/468
D353,549 S *	12/1994	Gorman	.....	D10/109
D398,409 S *	9/1998	Jessa	.....	D26/31
D399,534 S *	10/1998	Lengyel	.....	D20/42
D460,985 S *	7/2002	Horvath et al.	.....	D20/10
D464,283 S *	10/2002	Kuo	.....	D10/114
D481,419 S *	10/2003	Dixon	.....	D20/39

D495,750 S *	9/2004	Lee	.....	D20/42
D498,315 S *	11/2004	Campagna	.....	D26/28
D499,197 S *	11/2004	Campagna	.....	D26/28
D511,391 S *	11/2005	Altman	.....	D26/31
D534,880 S *	1/2007	Peng	.....	D14/126
D537,049 S *	2/2007	Peng	.....	D14/126
D537,420 S *	2/2007	Tsai	.....	D14/126

\* cited by examiner

*Primary Examiner*—Robert M. Spear

*Assistant Examiner*—George D Kirschbaum

(74) *Attorney, Agent, or Firm*—Bacon & Thomas, PLLC

(57) **CLAIM**

The ornamental design for a warning lamp, as shown and described.

**DESCRIPTION**

FIG. 1 is a perspective view of a warning lamp showing my design;

FIG. 2 is a front view thereof;

FIG. 3 is a rear view thereof;

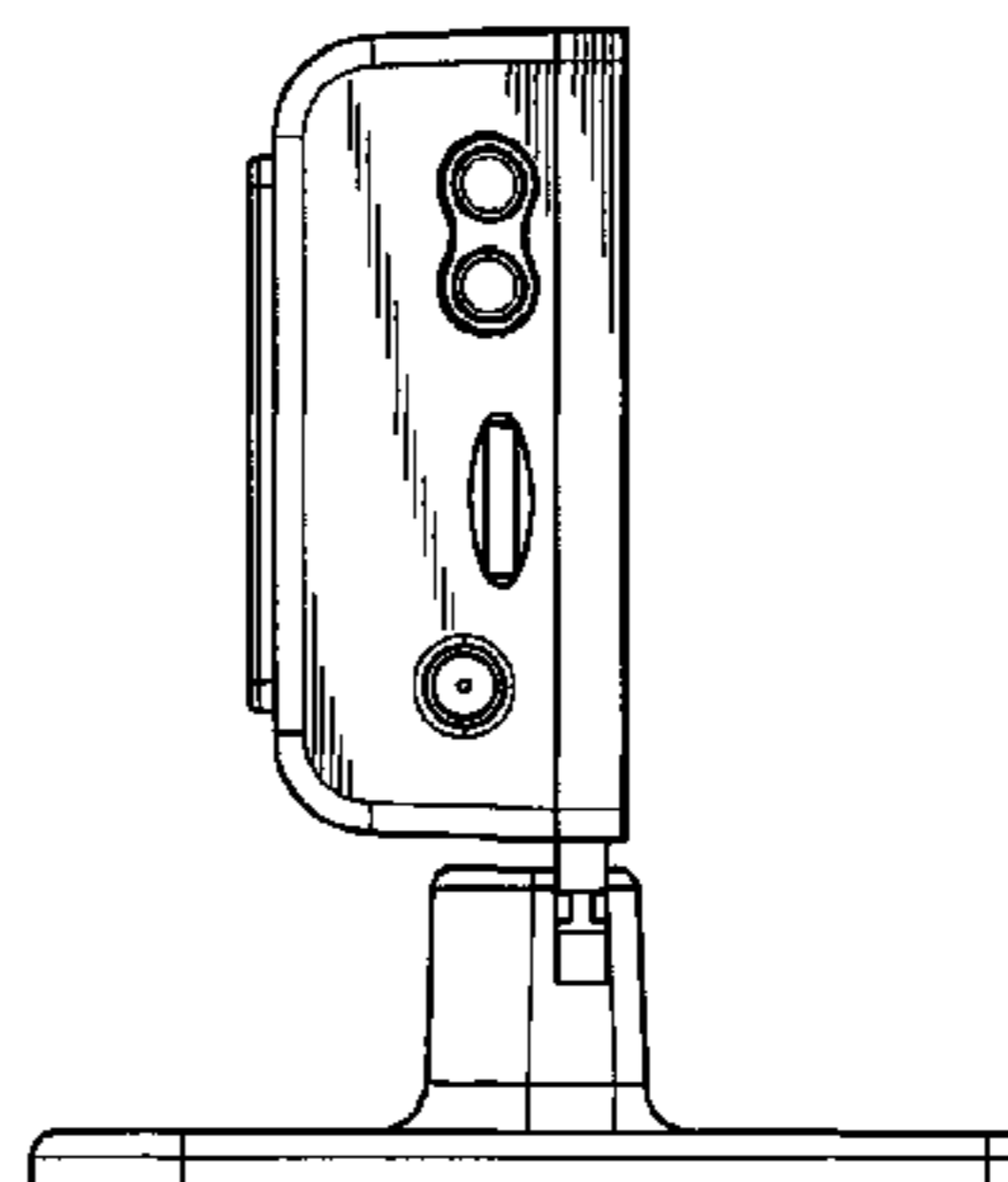
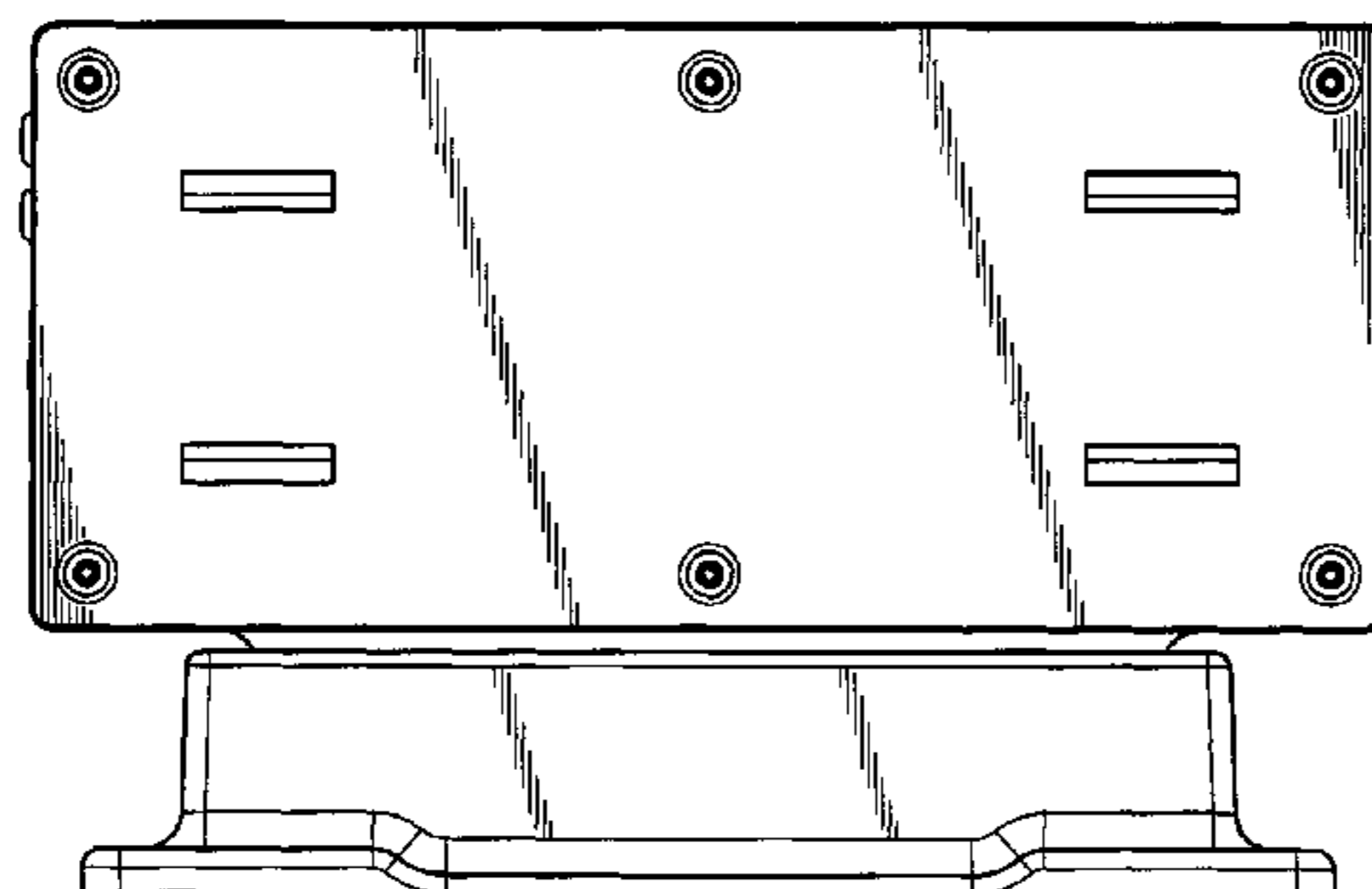
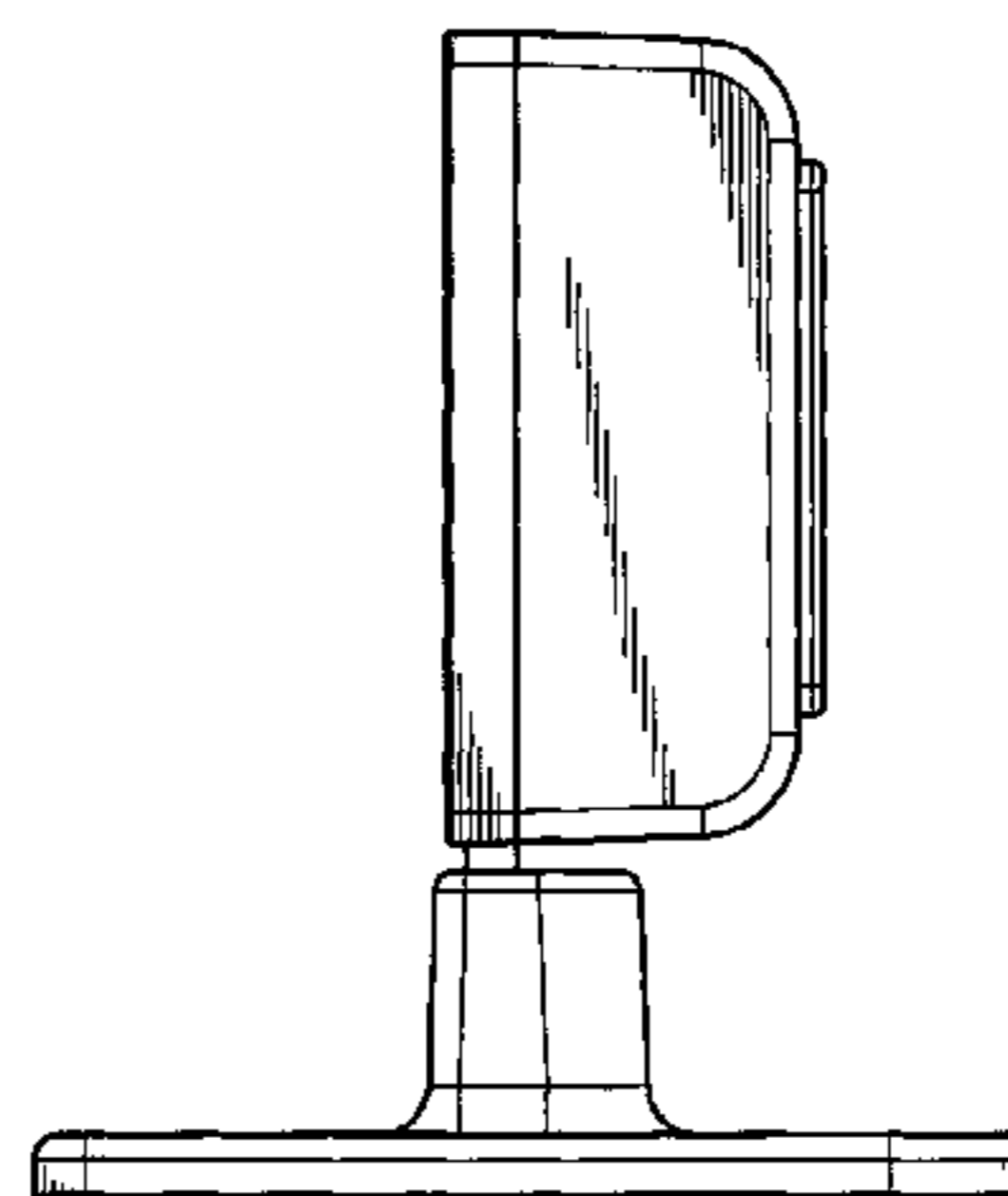
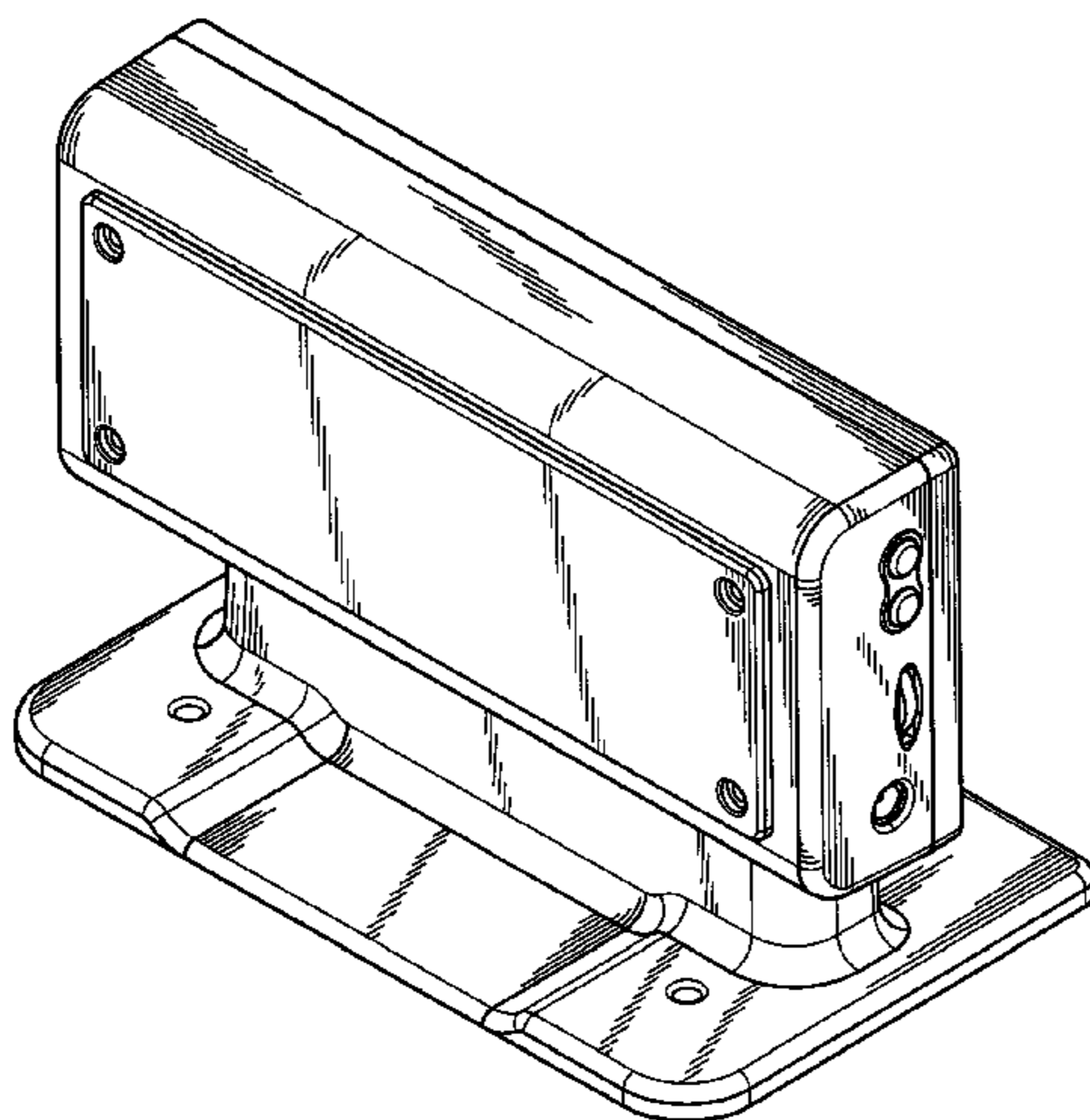
FIG. 4 is a left side view thereof;

FIG. 5 is a right side view thereof;

FIG. 6 is a top view thereof; and,

FIG. 7 is a bottom view thereof.

**1 Claim, 7 Drawing Sheets**



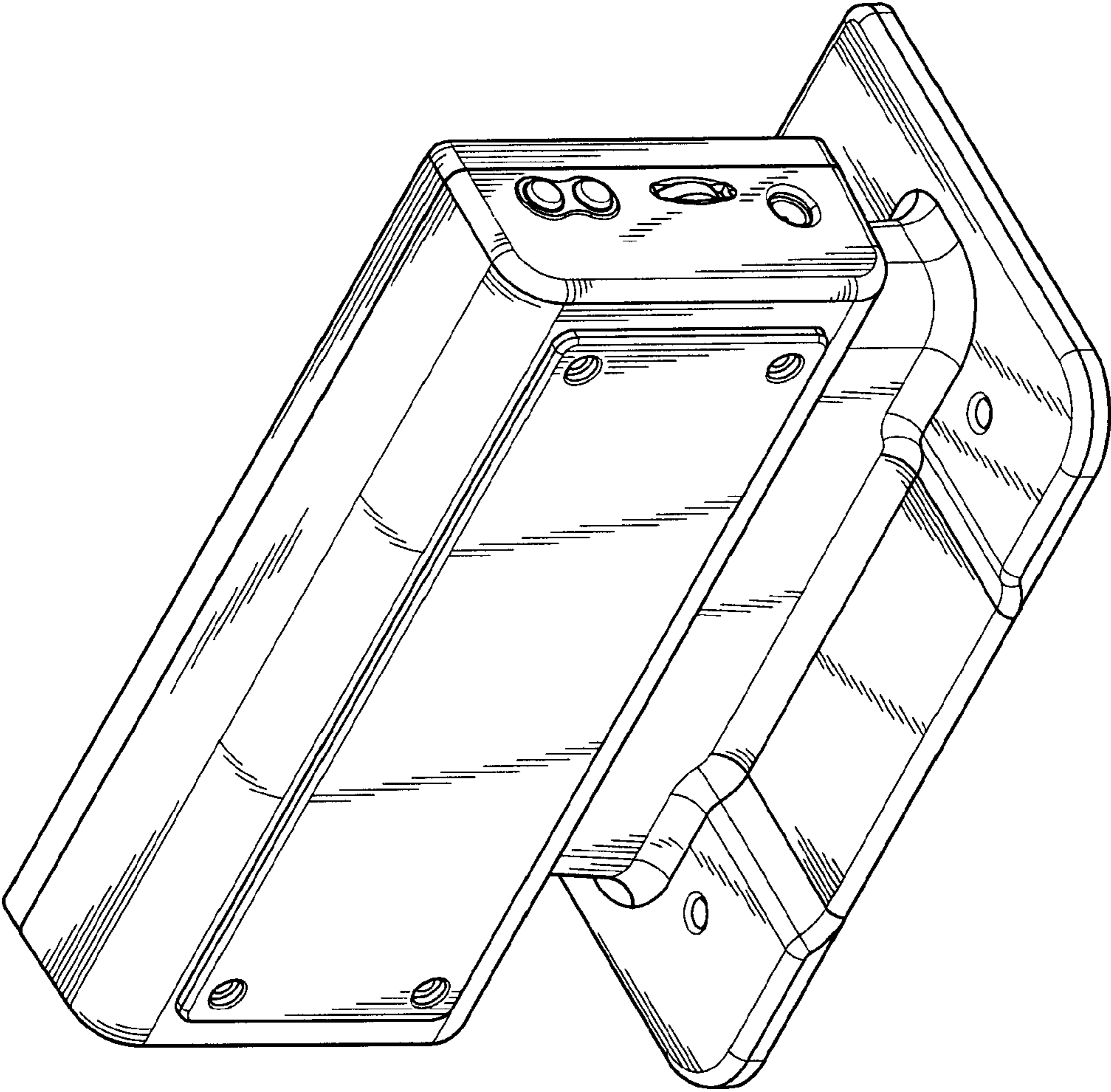
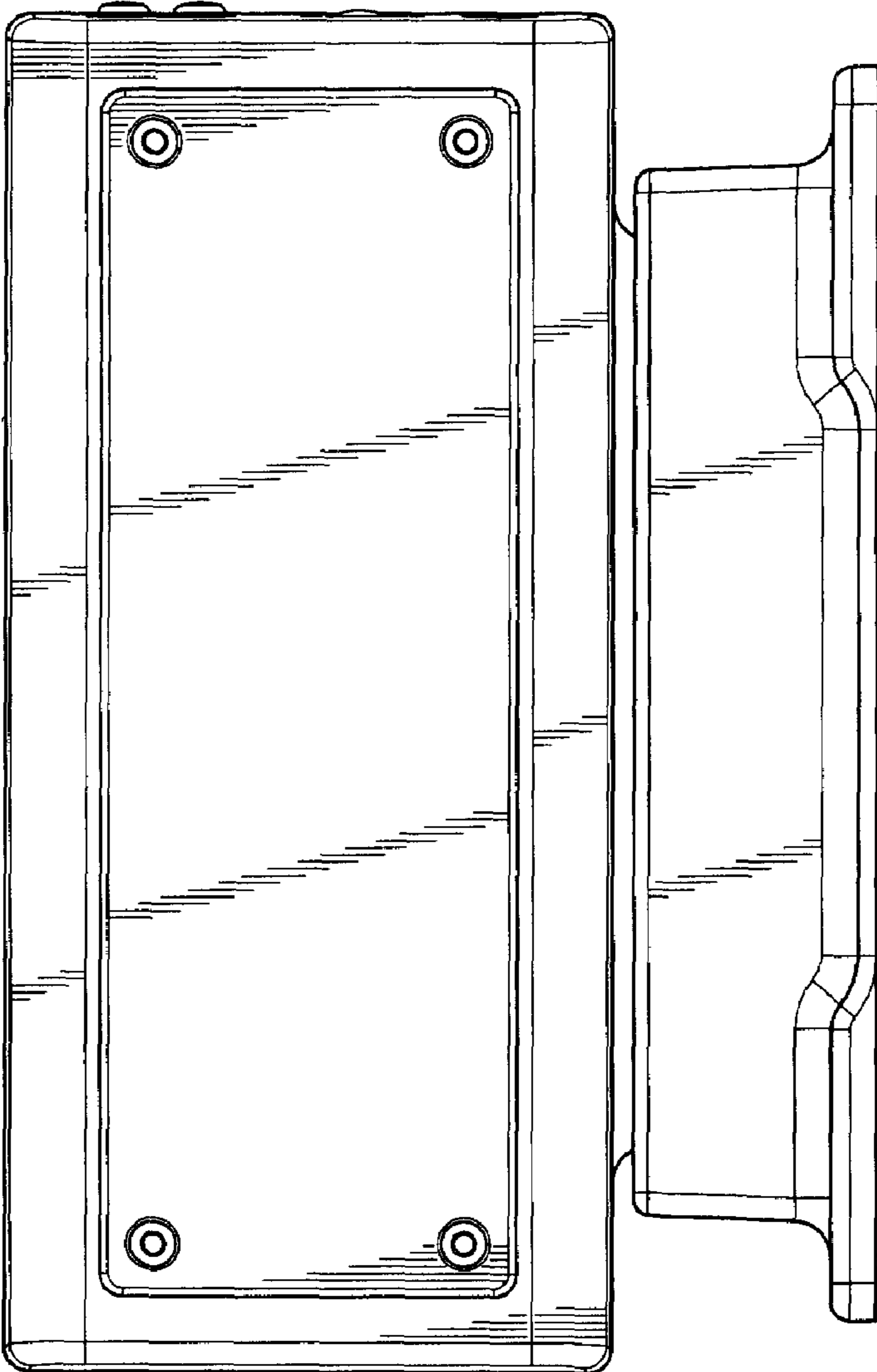


FIG. 1



*FIG. 2*

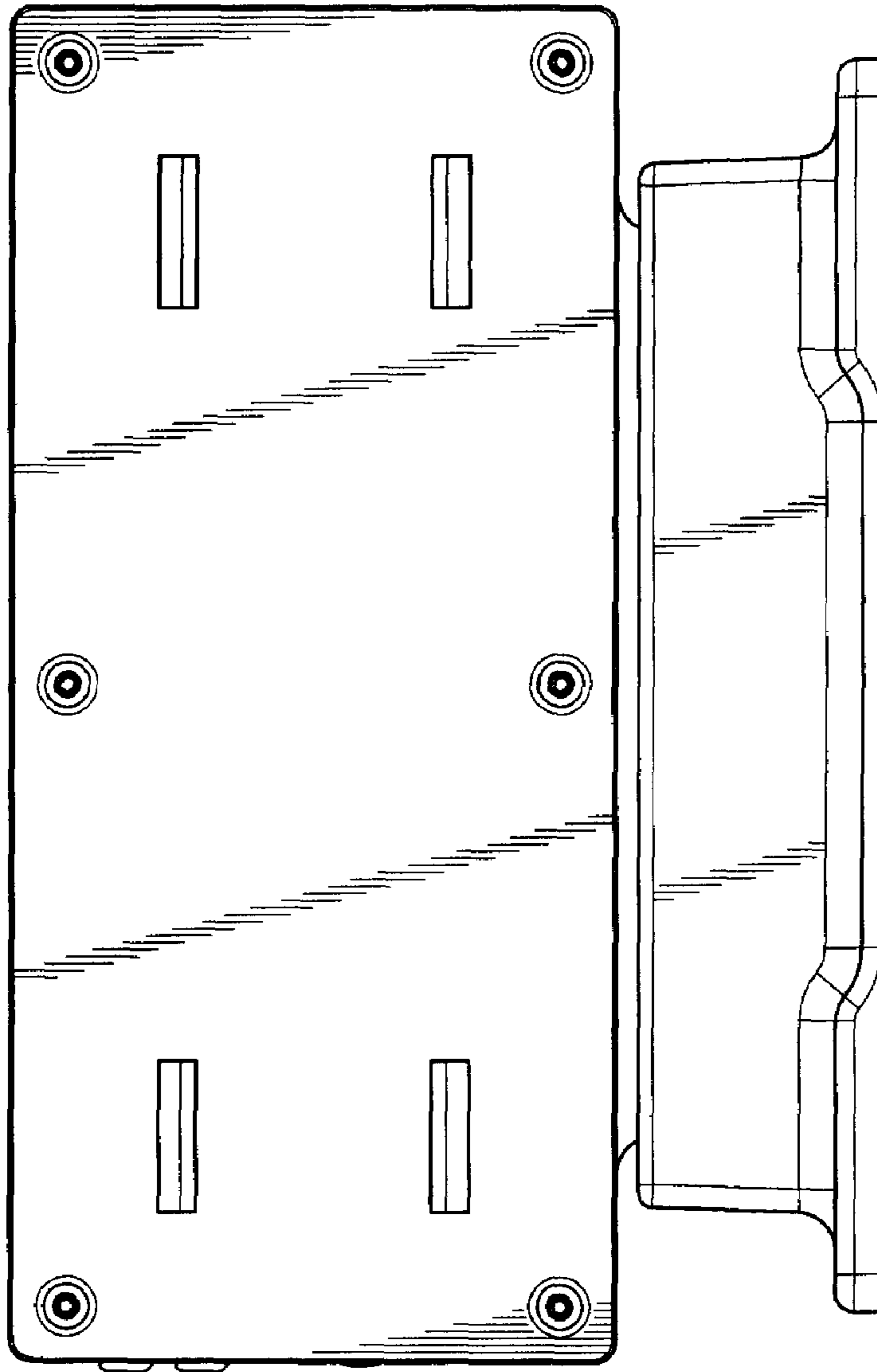
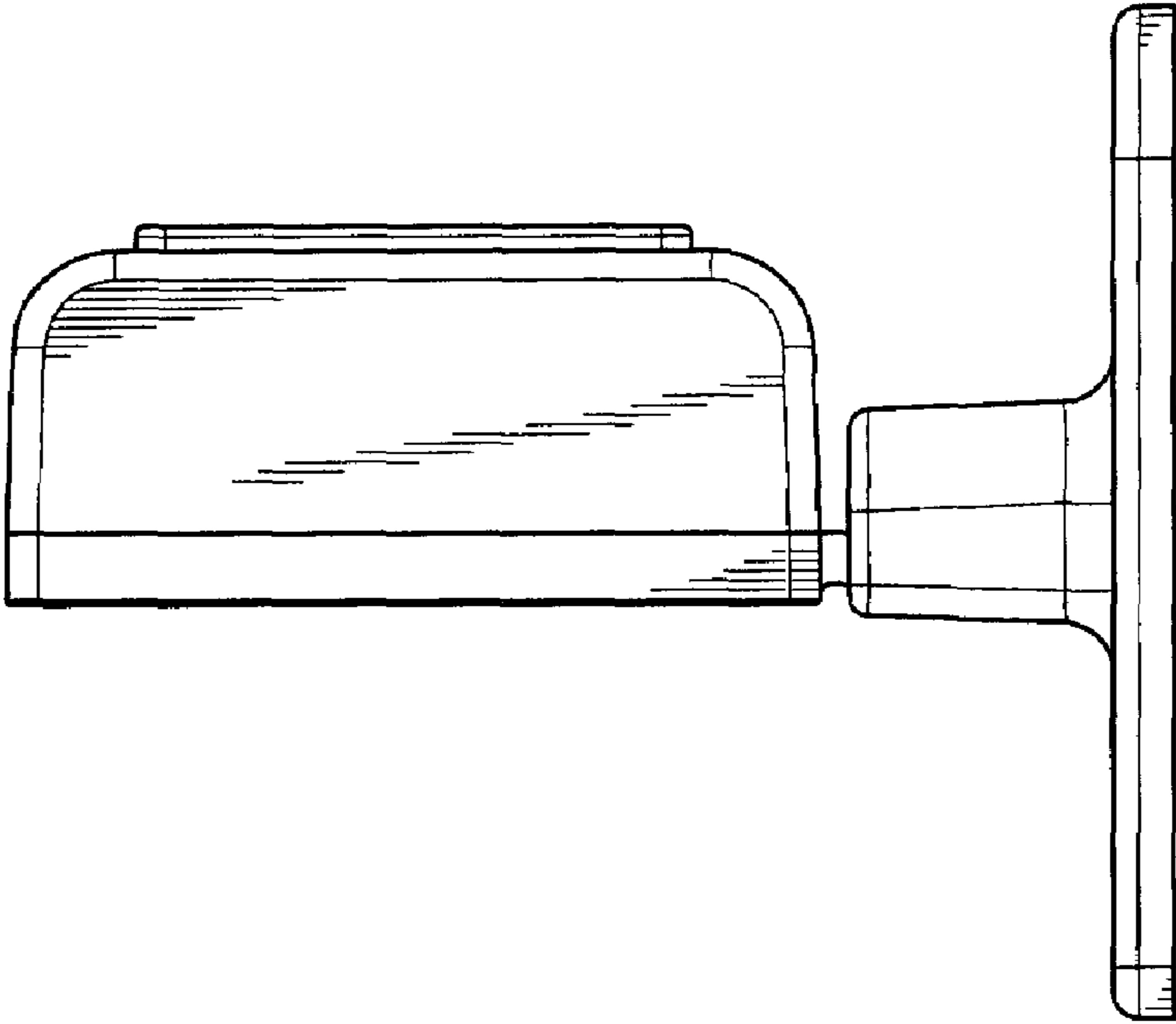
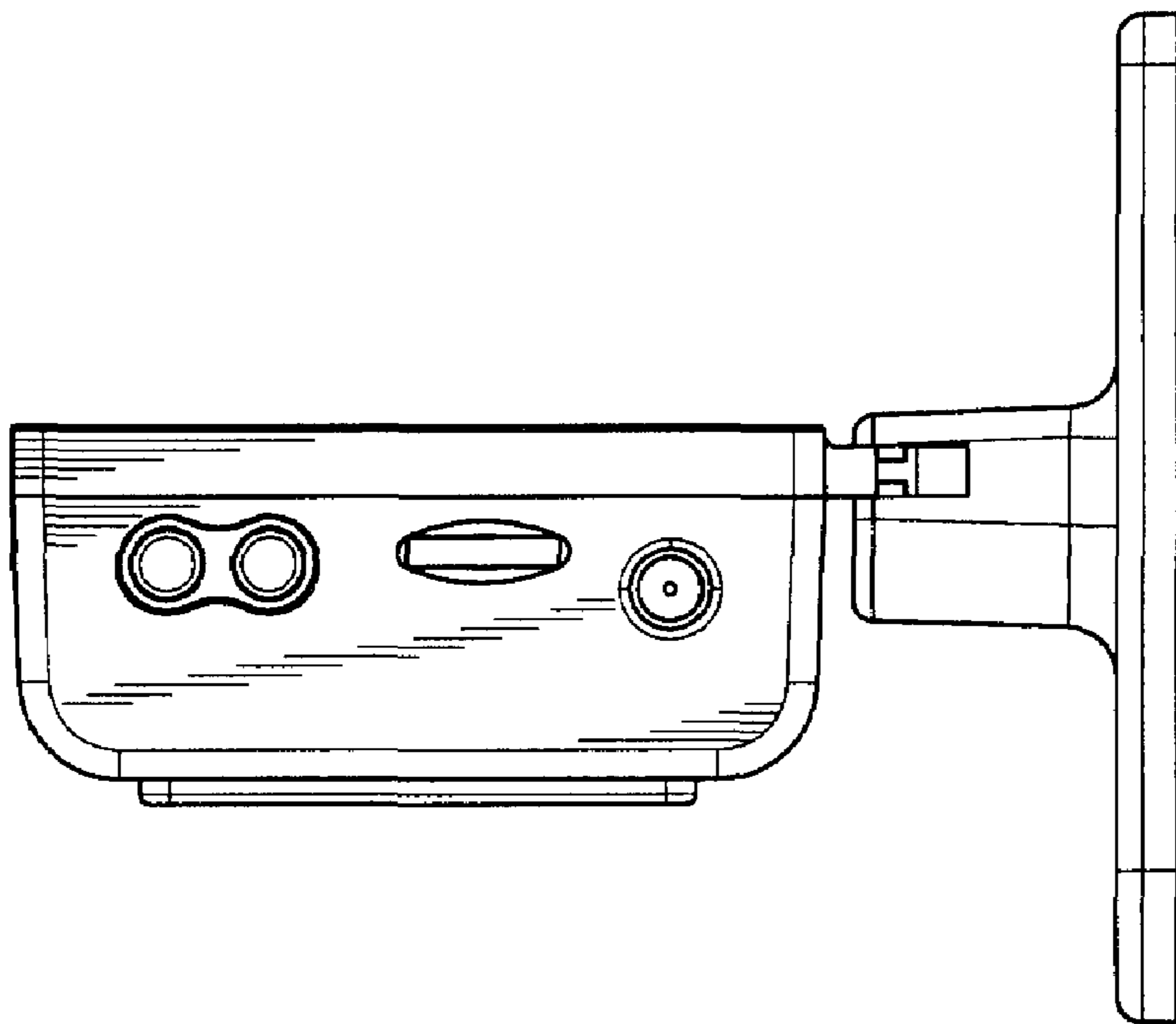


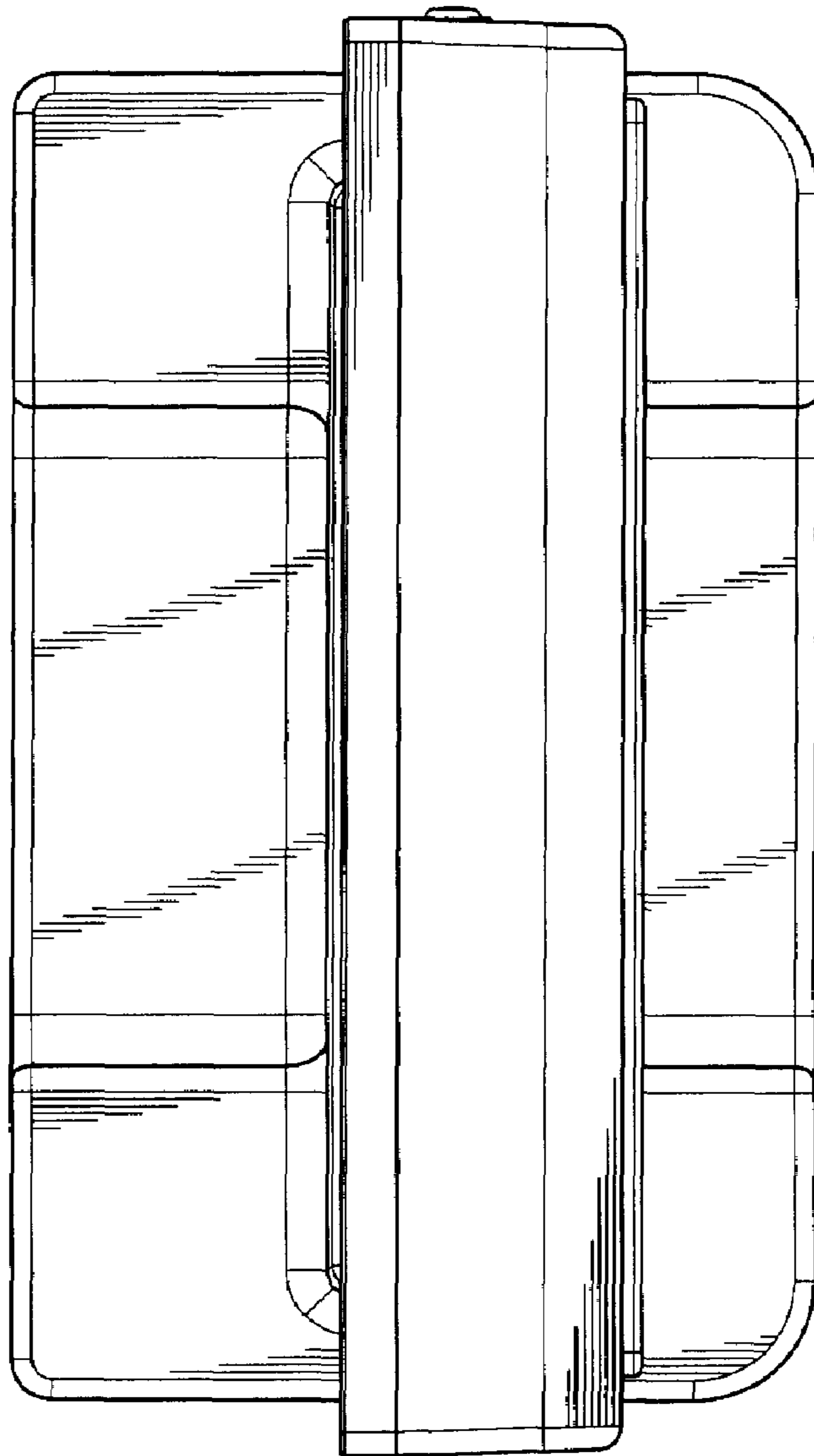
FIG. 3



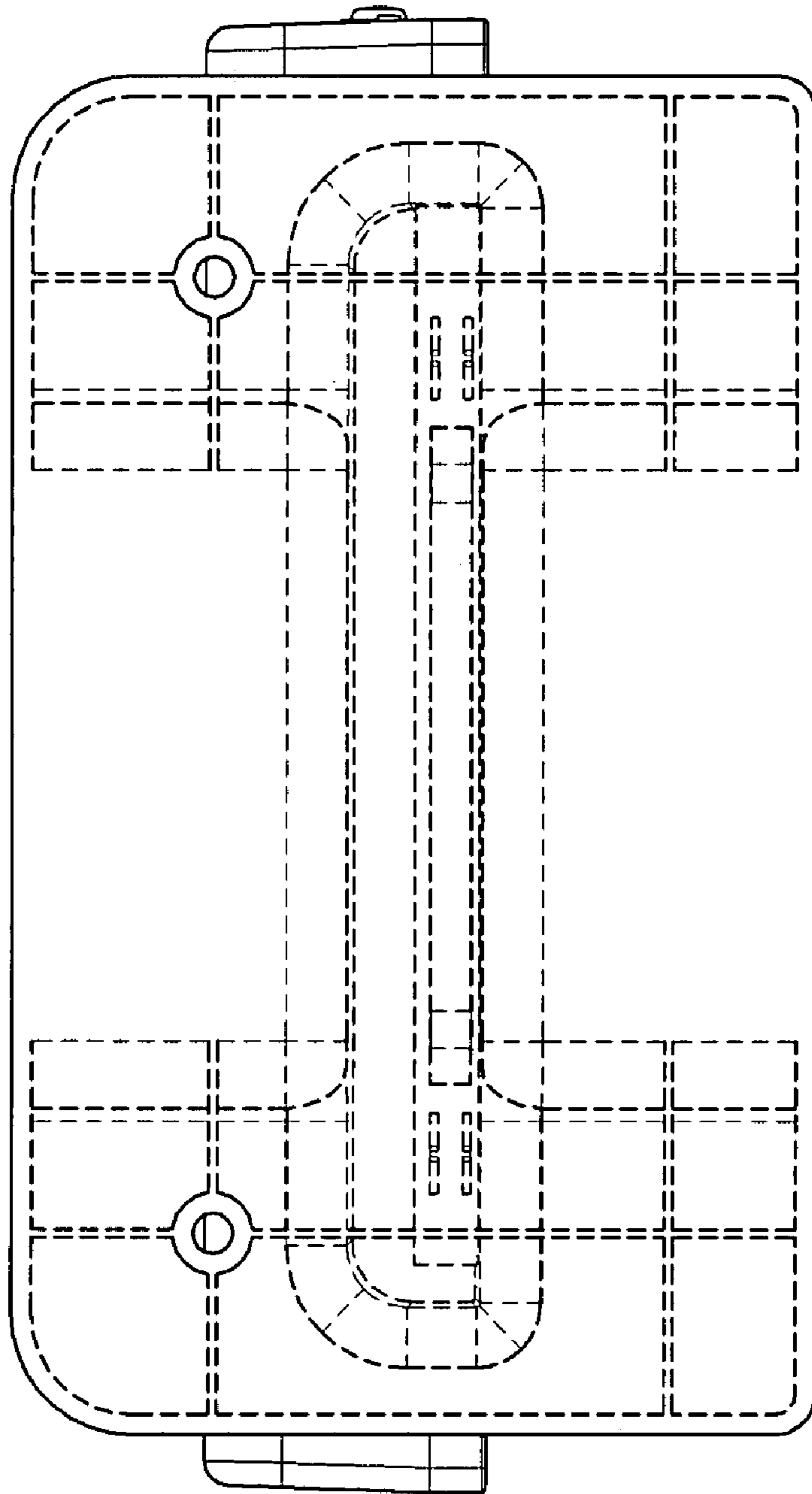
*FIG. 4*



*FIG. 5*



*FIG. 6*



*FIG. 7*