



US00D551104S

(12) **United States Design Patent**
Wounder

(10) **Patent No.:** **US D551,104 S**

(45) **Date of Patent:** **** Sep. 18, 2007**

(54) **CHROMATOGRAPHY COLUMN**

(75) Inventor: **Sven Wounder**, Uppsala (SE)

(73) Assignee: **GE Healthcare Bio-Sciences AB**,
Uppsala (SE)

(**) Term: **14 Years**

(21) Appl. No.: **29/249,105**

(22) Filed: **Sep. 21, 2006**

(51) **LOC (8) Cl.** **10-04**

(52) **U.S. Cl.** **D10/81; D24/224**

(58) **Field of Classification Search** D10/81;
D24/224, 232; 96/101, 104; 210/198.2,
210/198.3, 656

See application file for complete search history.

(56) **References Cited**

U.S. PATENT DOCUMENTS

5,378,361	A *	1/1995	Baekstrum	210/198.2
6,391,196	B1 *	5/2002	Prior et al.	210/198.2
6,558,539	B1 *	5/2003	Mann	210/198.2
6,620,326	B1 *	9/2003	Lihme et al.	210/635

* cited by examiner

Primary Examiner—Antoine D. Davis

(74) *Attorney, Agent, or Firm*—Dwayne L. Bentley

(57) **CLAIM**

The ornamental design for a chromatography column, as shown and described.

DESCRIPTION

FIG. 1 is a perspective view of the first embodiment of a chromatography column.

FIG. 2 is a front elevation view of the chromatography column of FIG. 1.

FIG. 3 is a back elevation view of the chromatography column of FIG. 1.

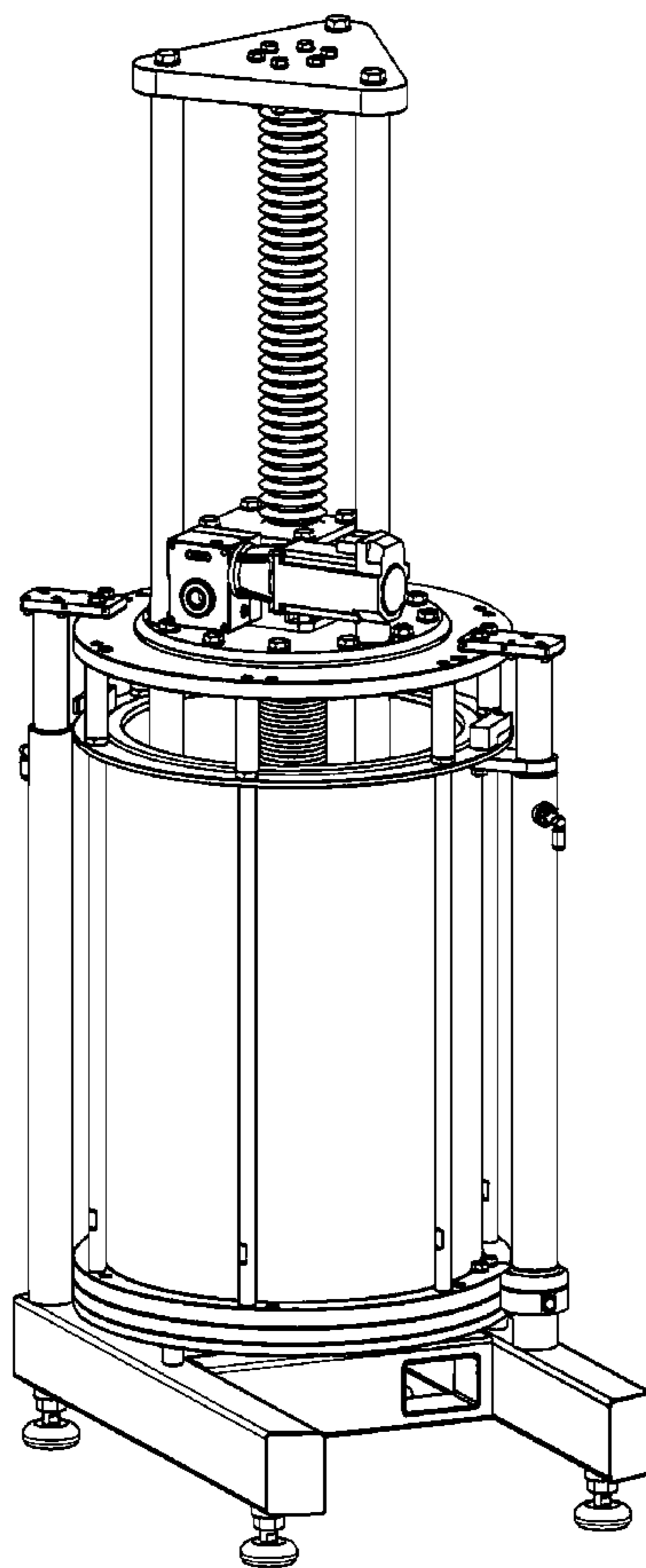
FIG. 4 is a left side elevation view of the chromatography column of FIG. 1.

FIG. 5 is a right side elevation view of the chromatography column of FIG. 1.

FIG. 6 is a plan view from above the chromatography column of FIG. 1; and,

FIG. 7 is a bottom plan view of the chromatography column of FIG. 1.

1 Claim, 5 Drawing Sheets



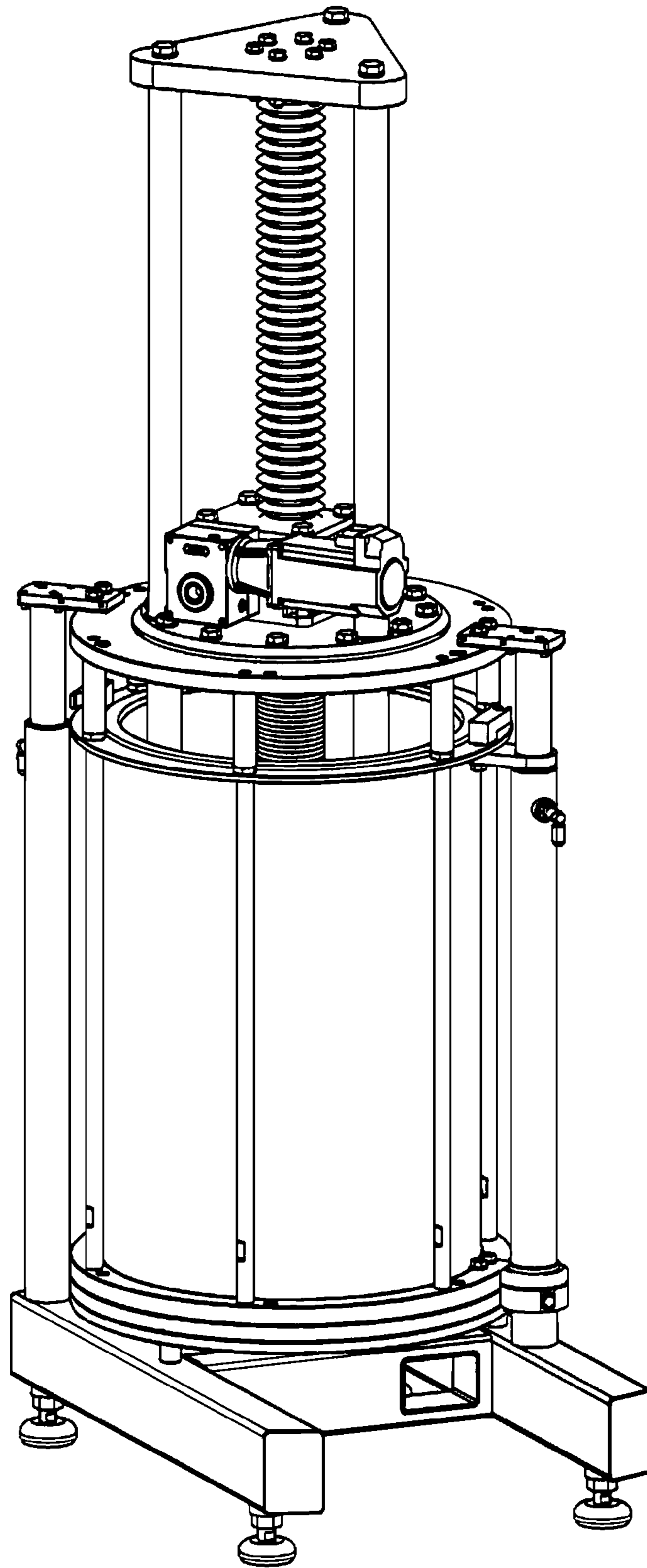


Fig. 1.

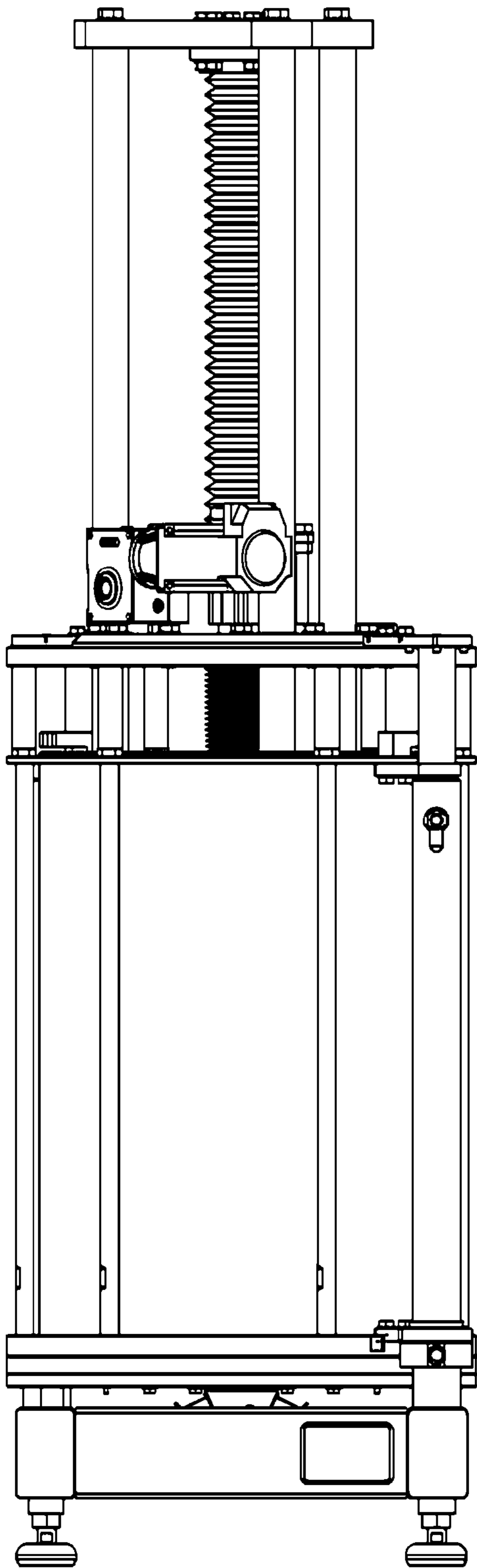


Fig.2.

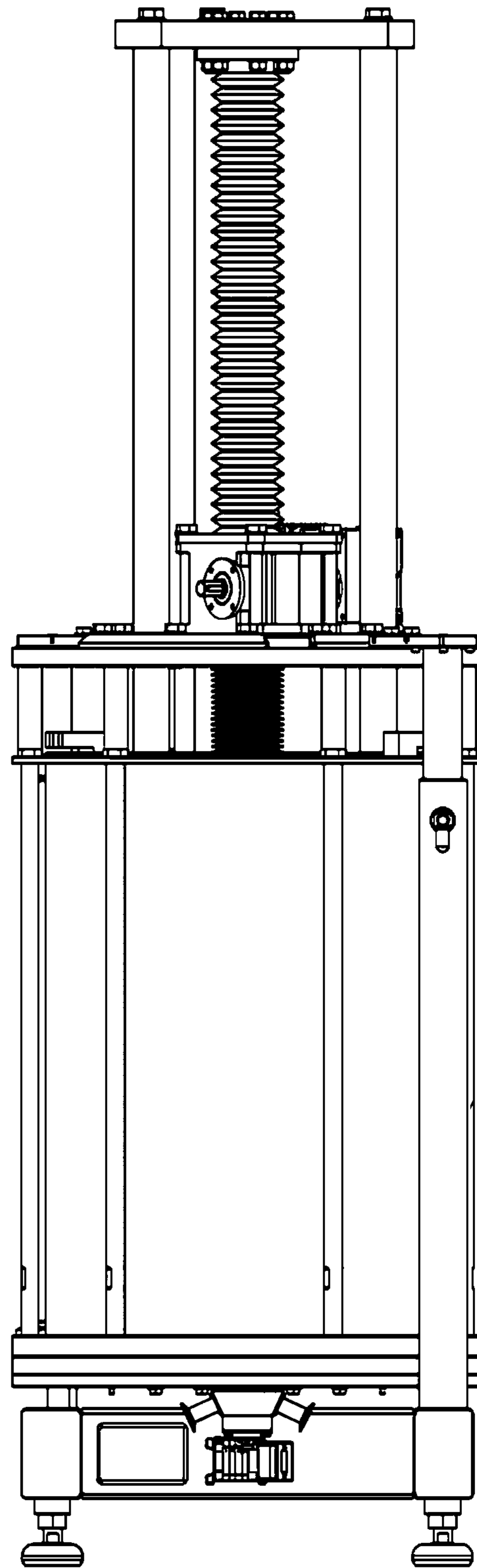


Fig.3.

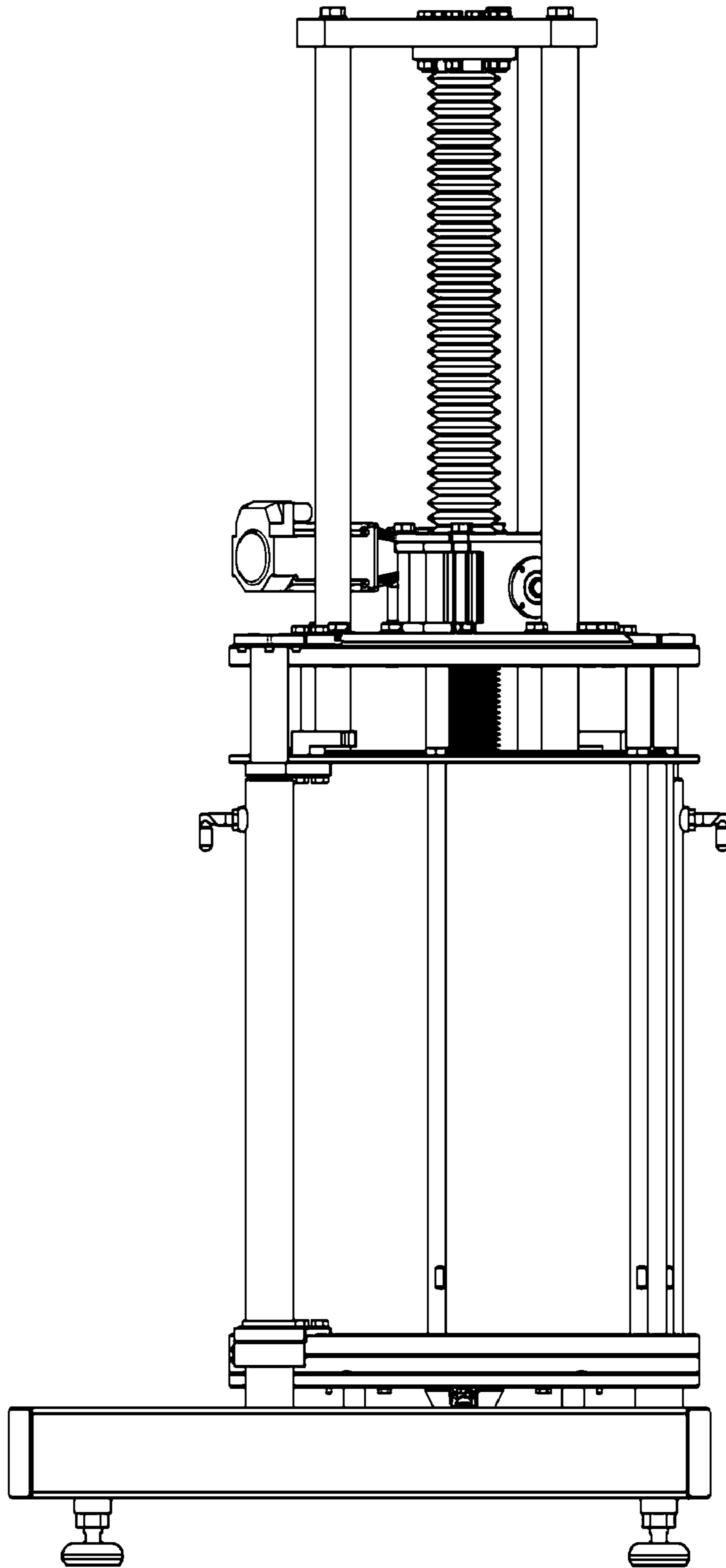


Fig.4.

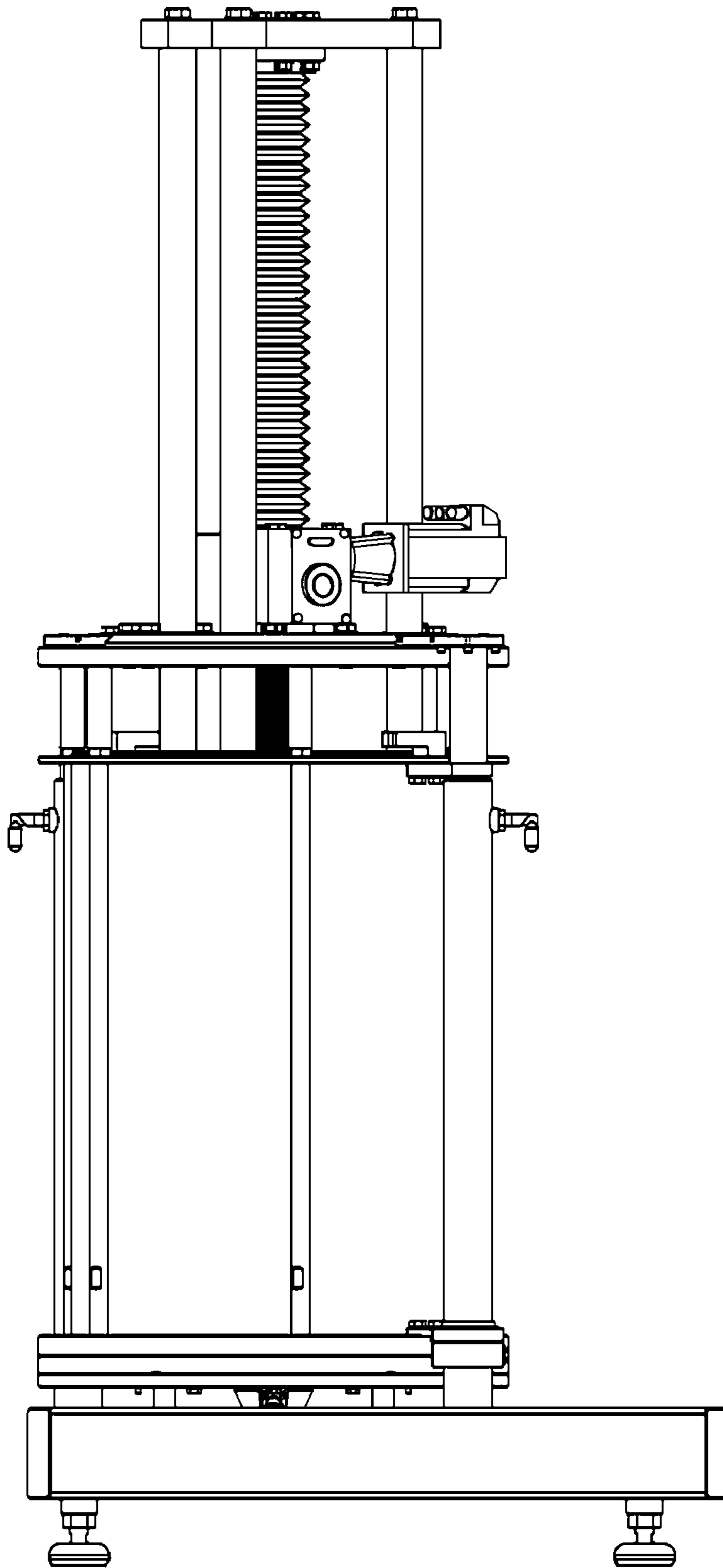


Fig.5.

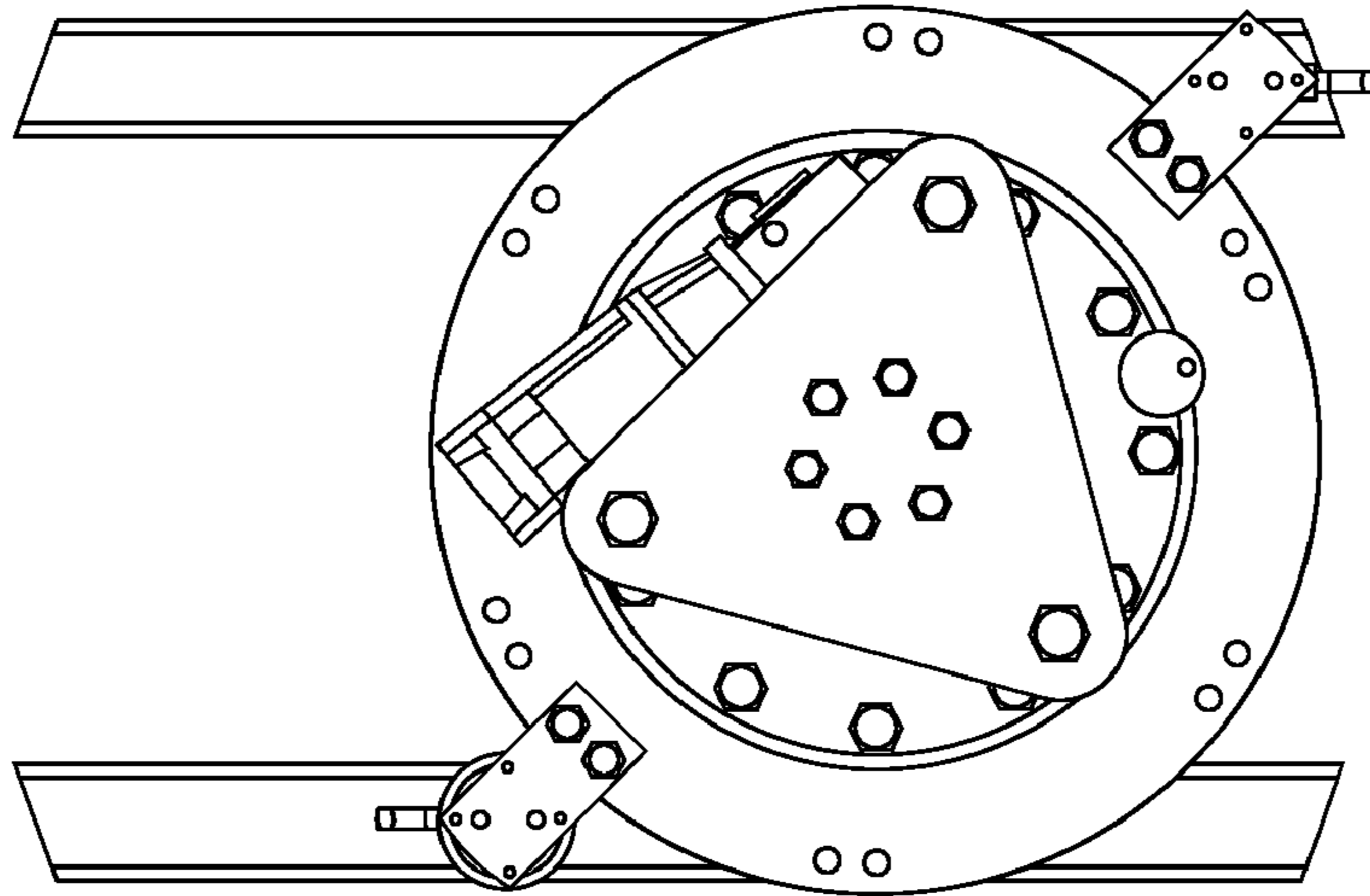


Fig.6.

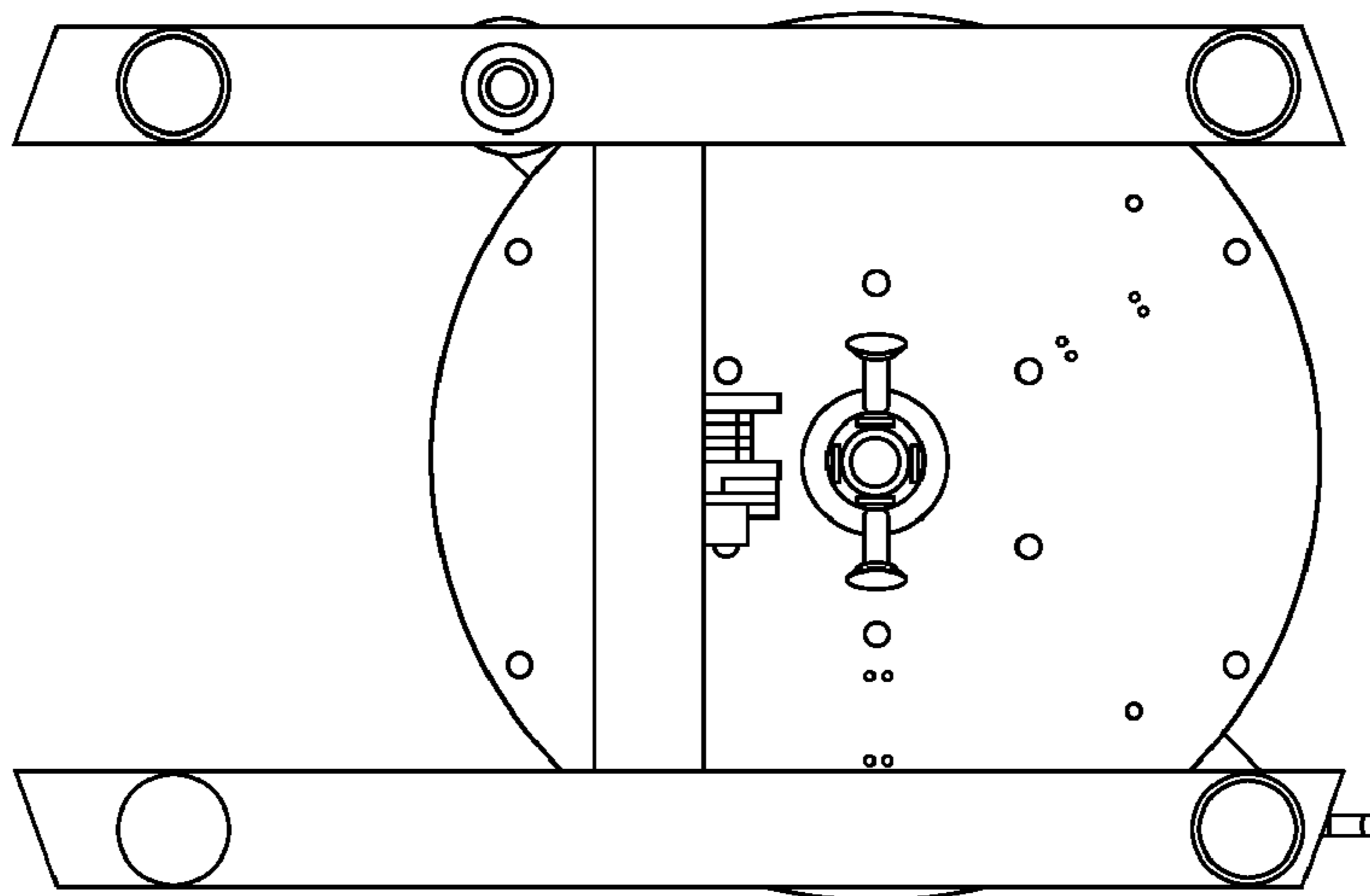


Fig.7.