



US00D551102S

(12) **United States Design Patent**
Ritti

(10) **Patent No.:** **US D551,102 S**

(45) **Date of Patent:** **** Sep. 18, 2007**

(54) **RIFLE MEASUREMENT GAUGE**

(76) Inventor: **Robert Ritti**, 26681 Venado Dr.,
Mission Viejo, CA (US) 92691

(**) Term: **14 Years**

(21) Appl. No.: **29/255,429**

(22) Filed: **Mar. 8, 2006**

(51) **LOC (8) Cl.** **10-04**

(52) **U.S. Cl.** **D10/64**

(58) **Field of Classification Search** D10/64;
33/562-566

See application file for complete search history.

(56) **References Cited**

U.S. PATENT DOCUMENTS

D251,059 S * 2/1979 Montell D10/64

D362,196 S * 9/1995 Angelo et al. D10/64

* cited by examiner

Primary Examiner—Antoine D. Davis

(74) *Attorney, Agent, or Firm*—Knobbe, Martens, Olson, &
Bear LLP

(57) **CLAIM**

The ornamental designs for a rifle measurement gauge, as
shown and described.

DESCRIPTION

FIG. 1 is a perspective view of the top, front and left side of
a first rifle measurement gauge.

FIG. 2 is a top view of the rifle measurement gauge of FIG.
1.

FIG. 3 is a bottom view of the rifle measurement gauge of
FIG. 1.

FIG. 4 is a front view of the rifle measurement gauge of FIG.
1.

FIG. 5 is a rear view of the rifle measurement gauge of FIG.
1.

FIG. 6 is a right-side view of the rifle measurement gauge of
FIG. 1.

FIG. 7 is a left-side view of the rifle measurement gauge of
FIG. 1.

FIG. 8 is a perspective view of the top, front and left side of
a second rifle measurement gauge.

FIG. 9 is a top view of the rifle measurement gauge of FIG.
8.

FIG. 10 is a bottom view of the rifle measurement gauge of
FIG. 8.

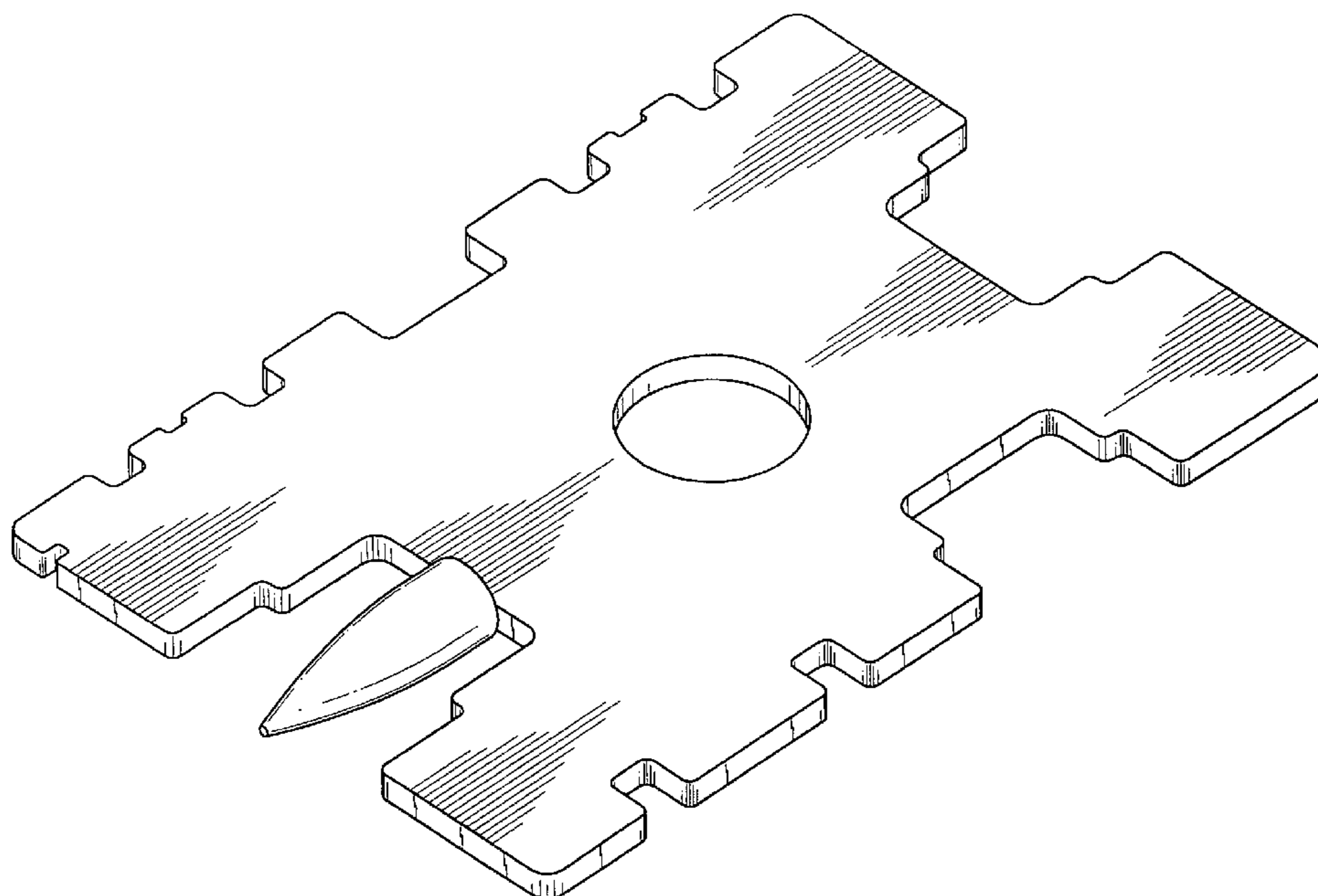
FIG. 11 is a front view of the rifle measurement gauge of
FIG. 8.

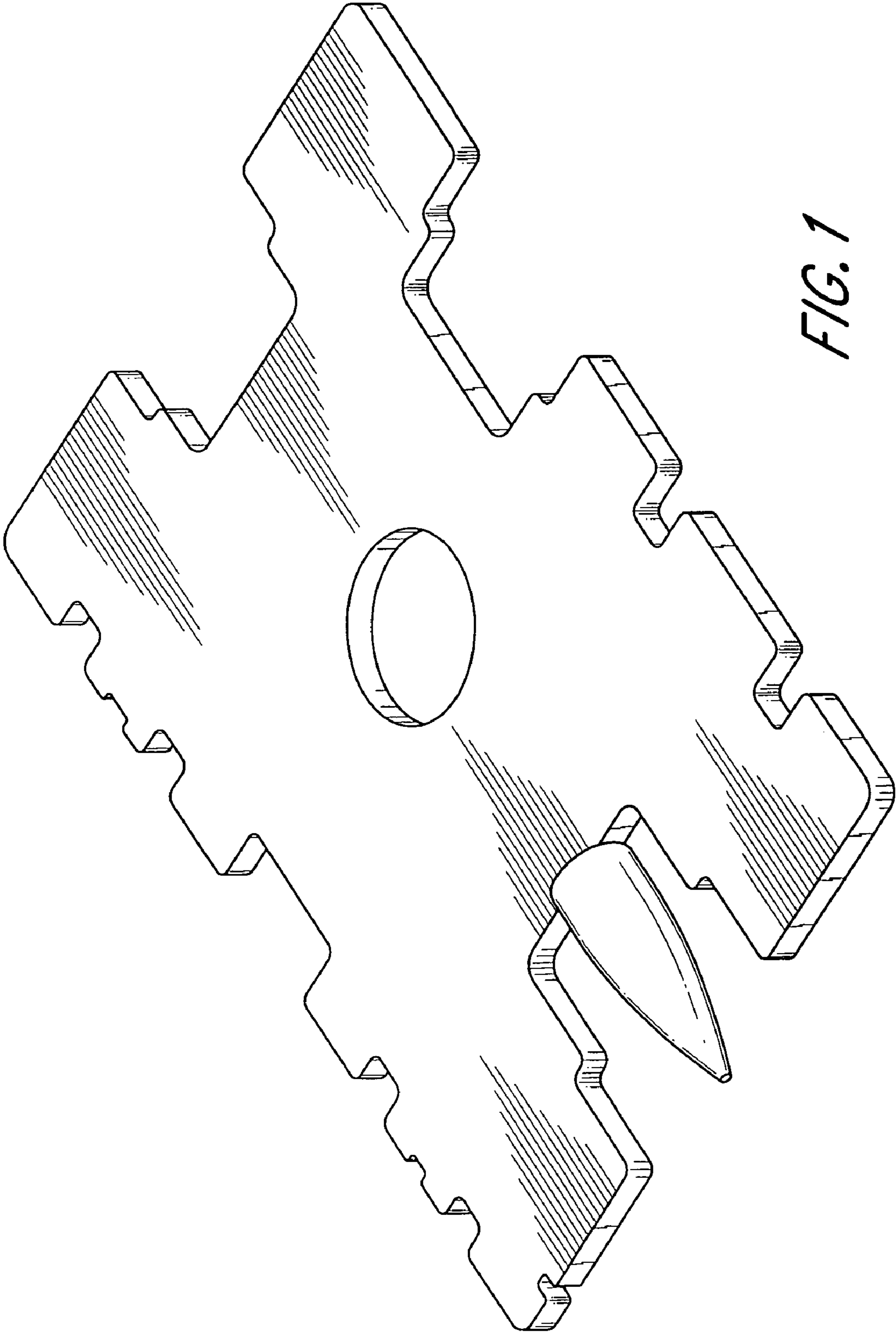
FIG. 12 is a rear view of the rifle measurement gauge of FIG.
8.

FIG. 13 is a right-side view of the rifle measurement gauge
of FIG. 8; and,

FIG. 14 is a left-side view of the rifle measurement gauge of
FIG. 8.

1 Claim, 10 Drawing Sheets





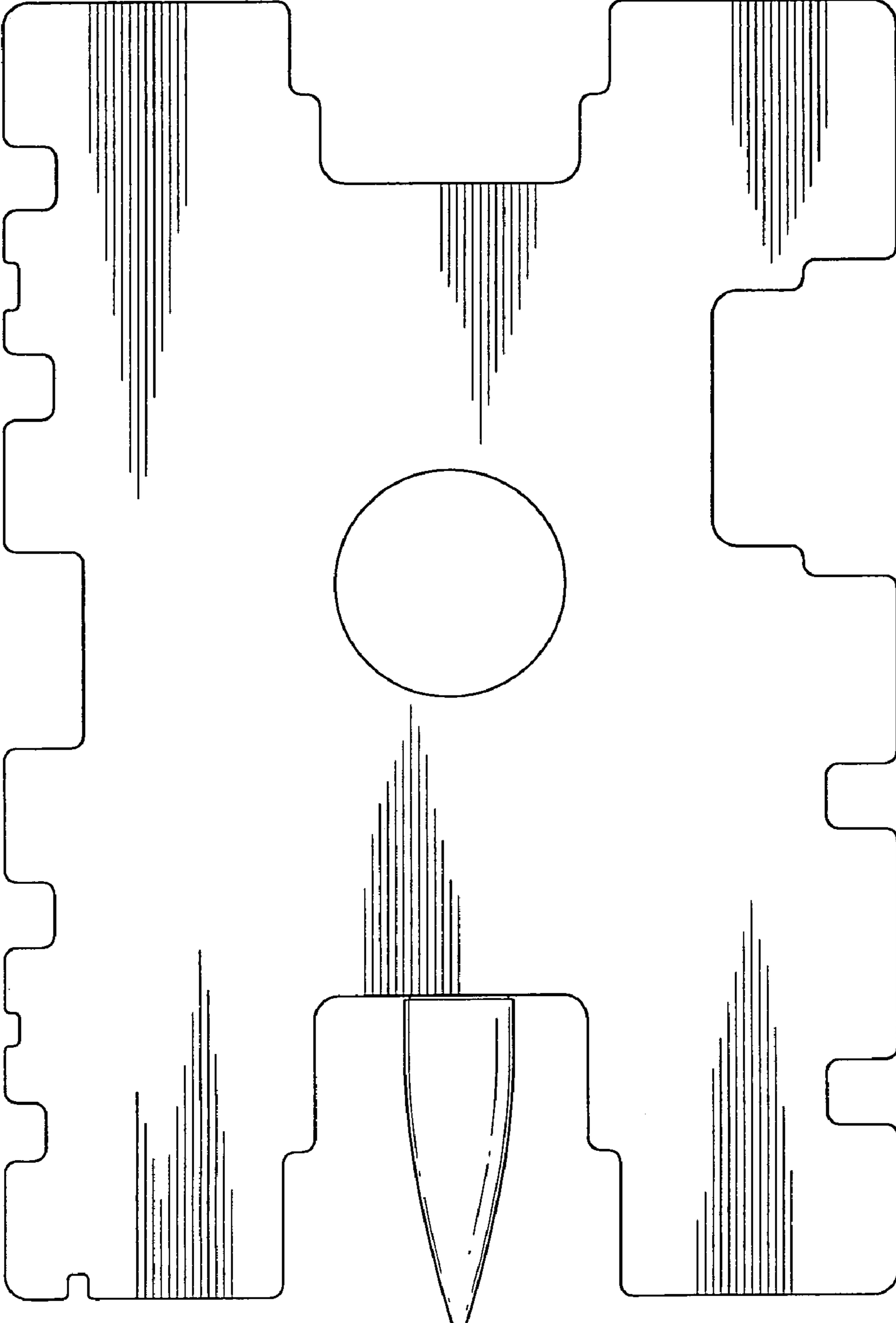


FIG. 2

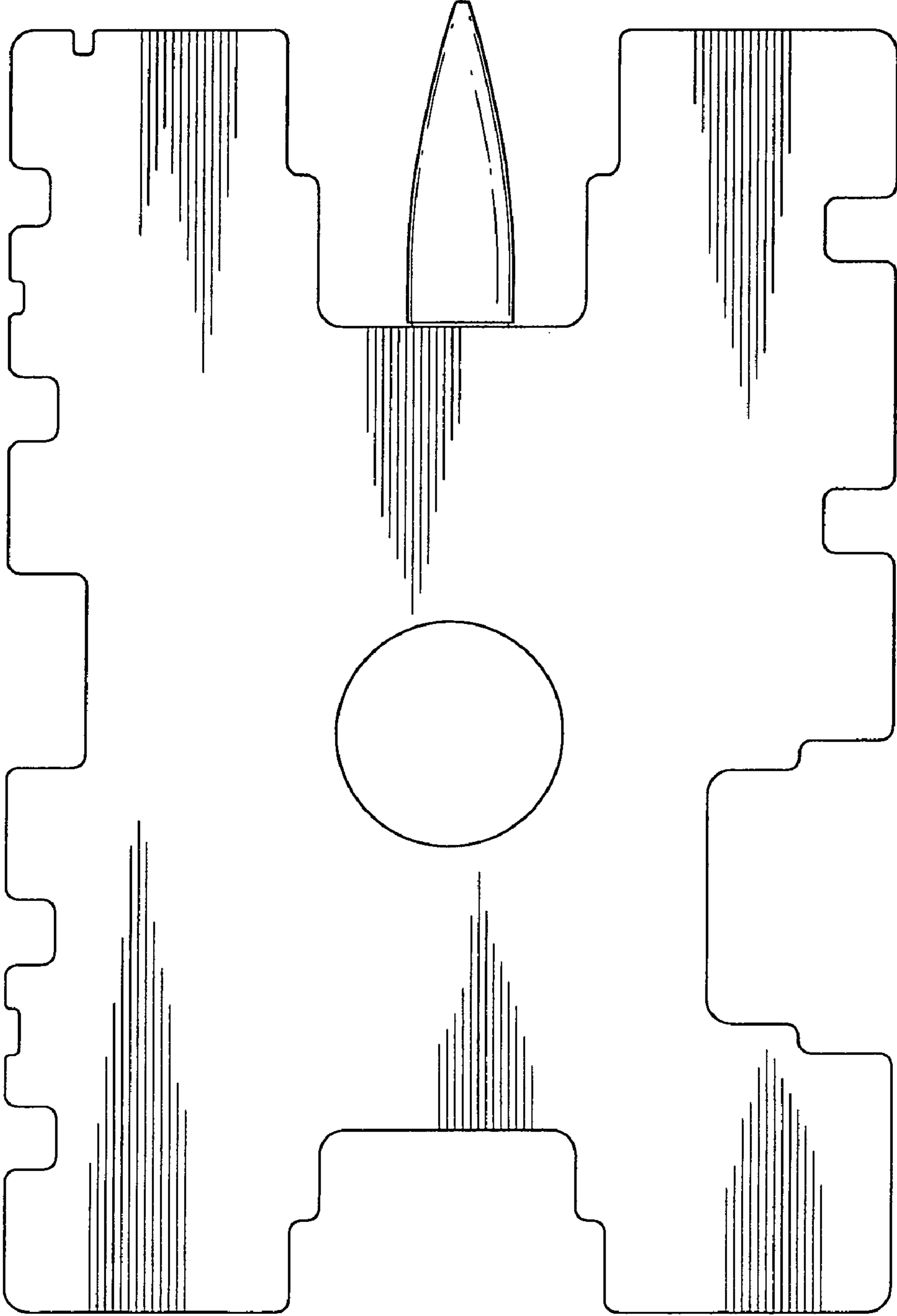


FIG. 3

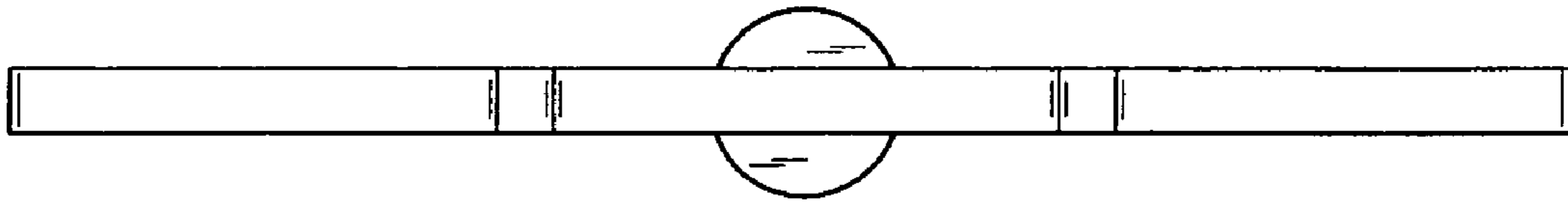


FIG. 5

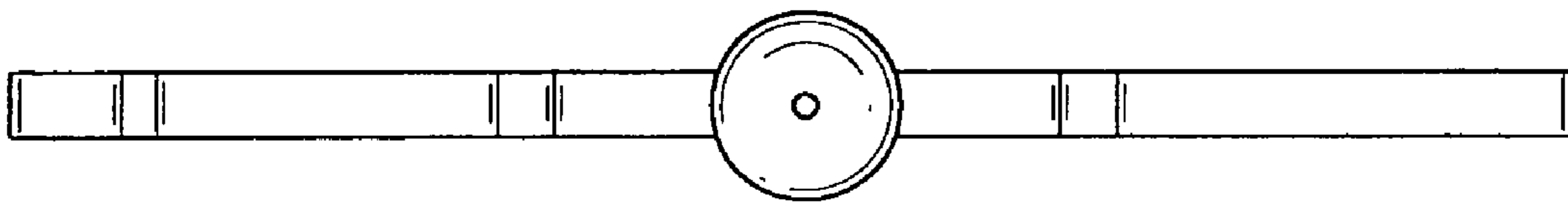


FIG. 4

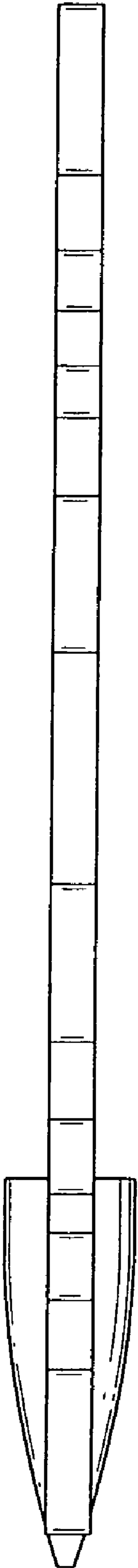


FIG. 6

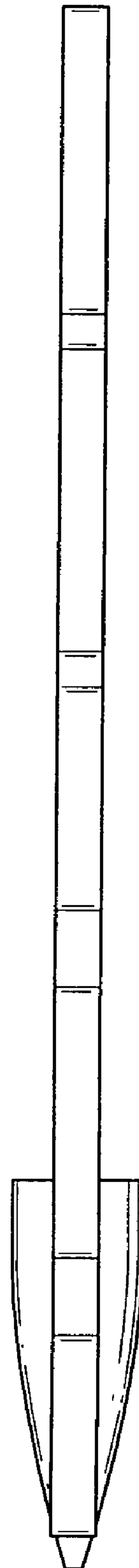


FIG. 7

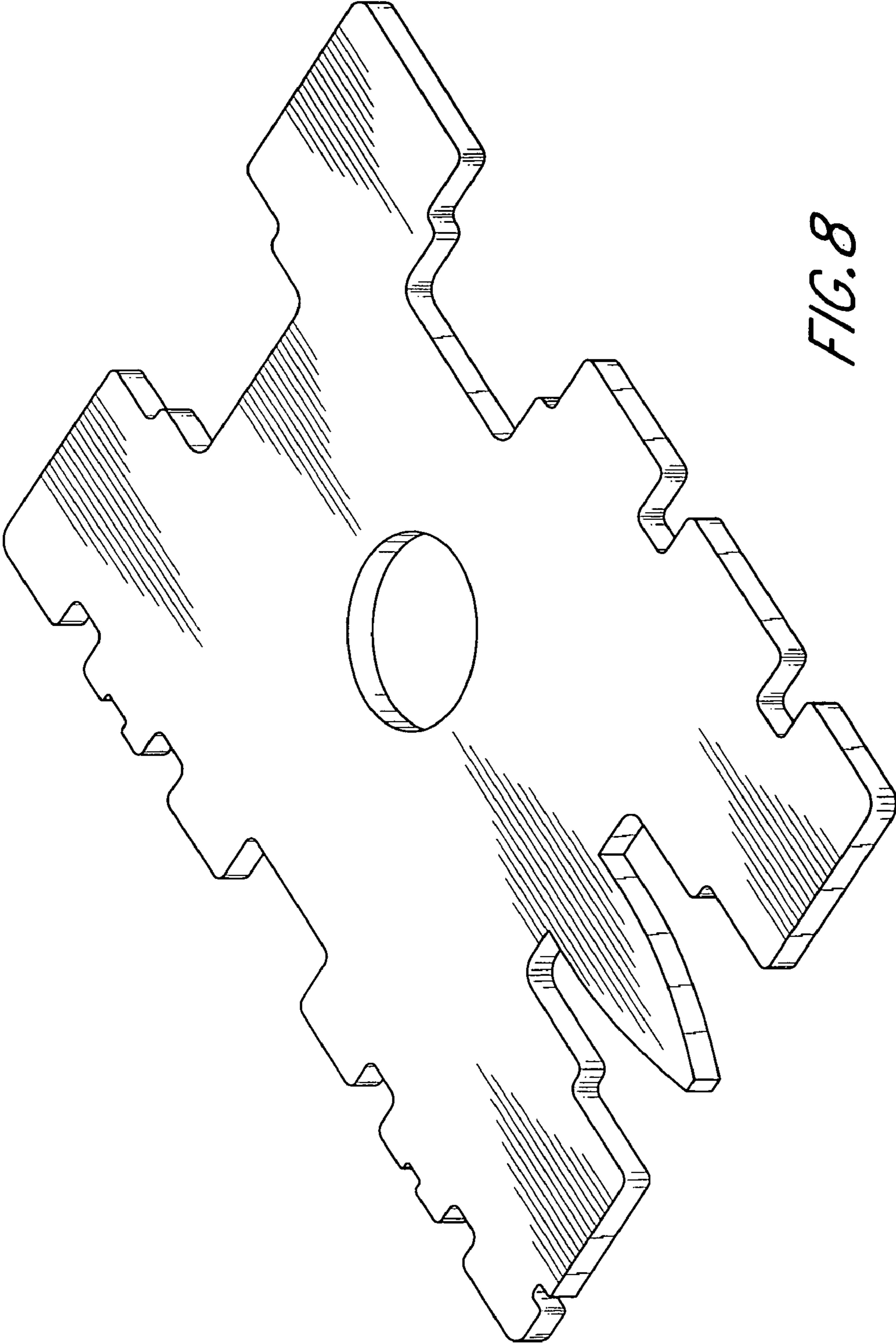


FIG. 8

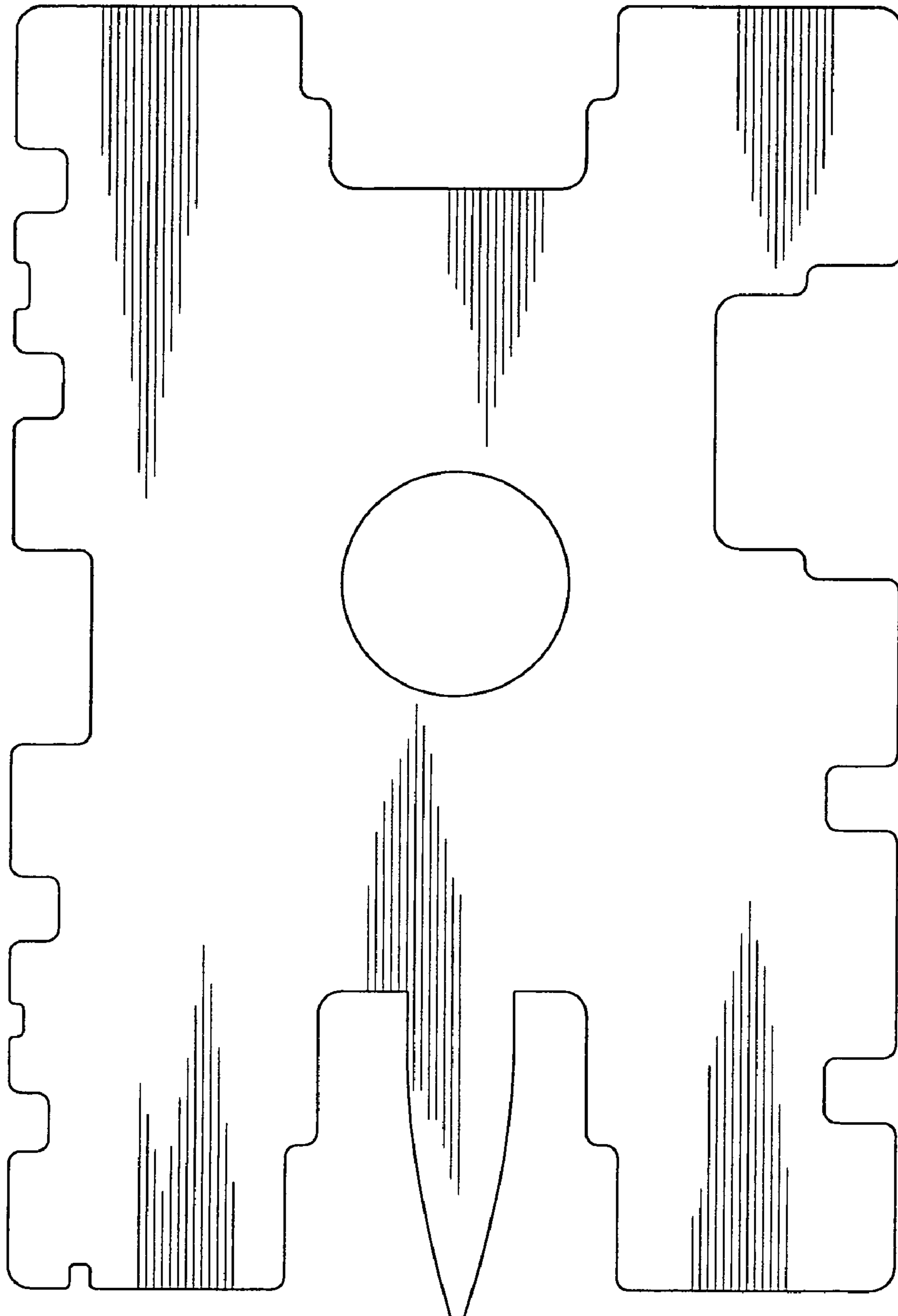


FIG. 9

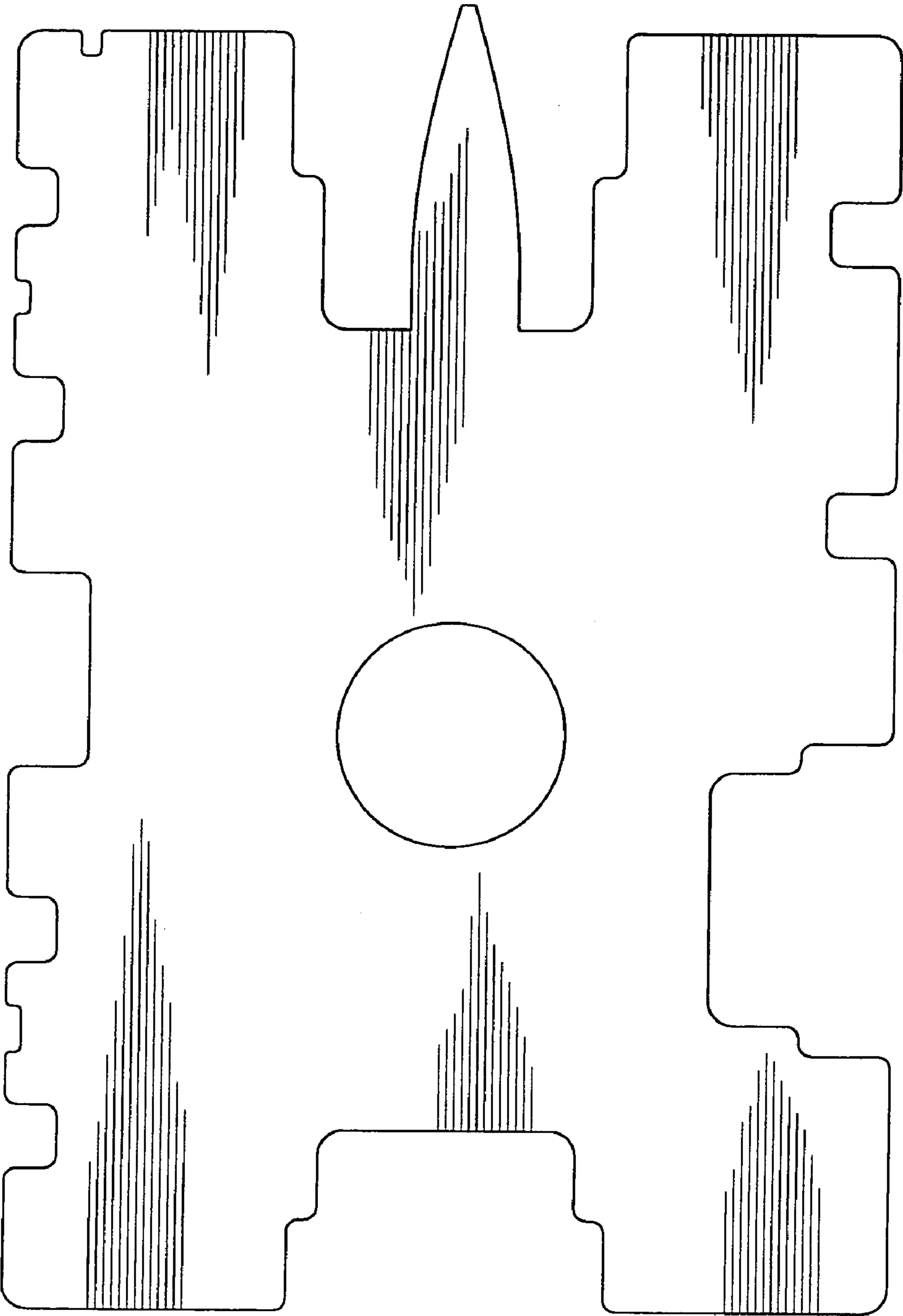


FIG. 10



FIG. 12



FIG. 11

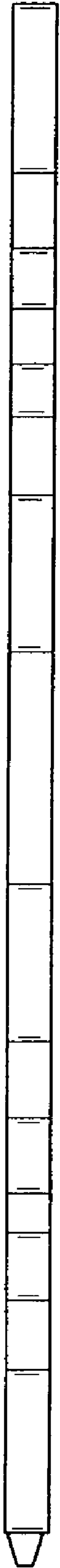


FIG. 13



FIG. 14