



US00D551101S

(12) **United States Design Patent**  
**Nataf**

(10) **Patent No.:** **US D551,101 S**

(45) **Date of Patent:** **\*\* Sep. 18, 2007**

(54) **WATCH CASE**

(75) Inventor: **Thierry Nataf**, Paris (FR)

(73) Assignee: **Zenith International, SA** (CH)

(\*\*) Term: **14 Years**

(21) Appl. No.: **29/266,623**

(22) Filed: **Sep. 25, 2006**

(30) **Foreign Application Priority Data**

Mar. 29, 2006 (WO) ..... DM/067 672

(51) **LOC (8) Cl.** ..... **10-02**

(52) **U.S. Cl.** ..... **D10/38**

(58) **Field of Classification Search** ..... D10/30-39,  
D10/122-132; 368/276-278, 281-283, 308,  
368/223, 319, 288, 285, 294, 295  
See application file for complete search history.

(56) **References Cited**

**U.S. PATENT DOCUMENTS**

2,361,563	A *	10/1944	Pellaton	.....	368/80
2,385,234	A *	9/1945	Schmitz	.....	368/288
3,427,800	A *	2/1969	Blum	.....	368/223
D327,440	S *	6/1992	Galli	.....	D11/32
D359,916	S *	7/1995	Iida	.....	D10/32
D379,769	S *	6/1997	Schoepfer	.....	D10/39
D413,071	S *	8/1999	Fichter	.....	D10/39
D416,498	S *	11/1999	Blondin	.....	D10/39
D433,639	S *	11/2000	Bodino	.....	D10/32
6,200,019	B1 *	3/2001	Latini	.....	368/289
D445,343	S *	7/2001	Schneider	.....	D10/30

D464,274	S *	10/2002	Strasser	.....	D10/32
D480,656	S *	10/2003	Peled	.....	D10/131
6,679,624	B1 *	1/2004	Mouawad	.....	368/216
D493,730	S *	8/2004	Monachon	.....	D10/32
D521,396	S *	5/2006	Bourquin	.....	D10/33
D525,883	S *	8/2006	Lalo	.....	D10/38

**OTHER PUBLICATIONS**

Watches International VI, The Original Annual of the World's Finest Wristwatches, 2005, Tourbillon international LLC., p. 190, Corum watches with crown protection.\*

\* cited by examiner

*Primary Examiner*—Lucy Lieberman

(74) *Attorney, Agent, or Firm*—Lott & Friedland, PA

(57) **CLAIM**

The ornamental design for a watch case, substantially as shown and described.

**DESCRIPTION**

FIG. 1 is a perspective view of the watch case of the present invention;

FIG. 2 is a front view of the watch case shown in FIG. 1;

FIG. 3 is a rear view of the watch case shown in FIG. 1;

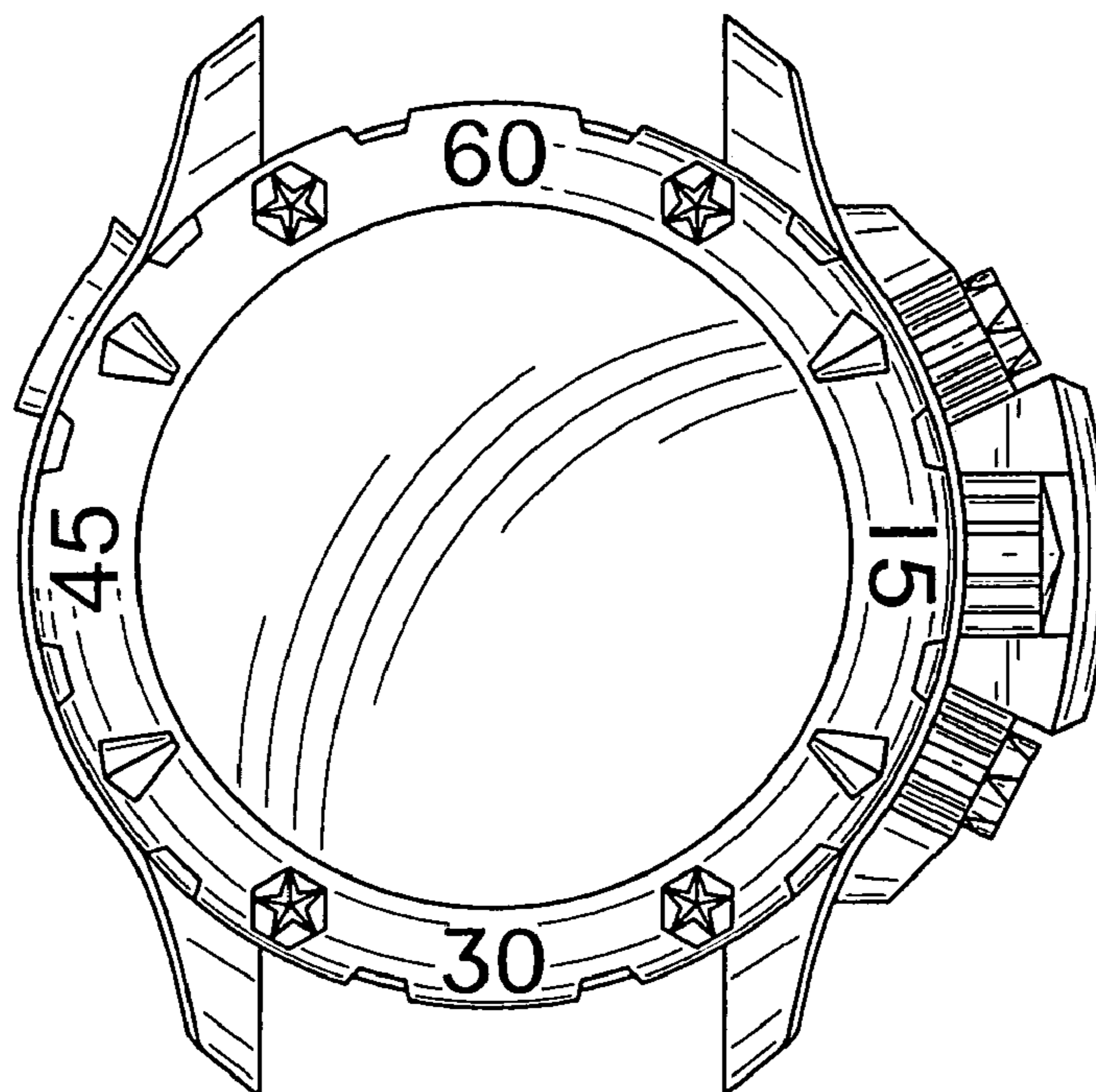
FIG. 4 is a left side elevational view of the watch case shown in FIG. 1;

FIG. 5 is a right side elevational view of the watch case shown in FIG. 1;

FIG. 6 is a top view of the watch case shown in FIG. 1; and,

FIG. 7 is a bottom view of the watch case shown in FIG. 1.

**1 Claim, 4 Drawing Sheets**



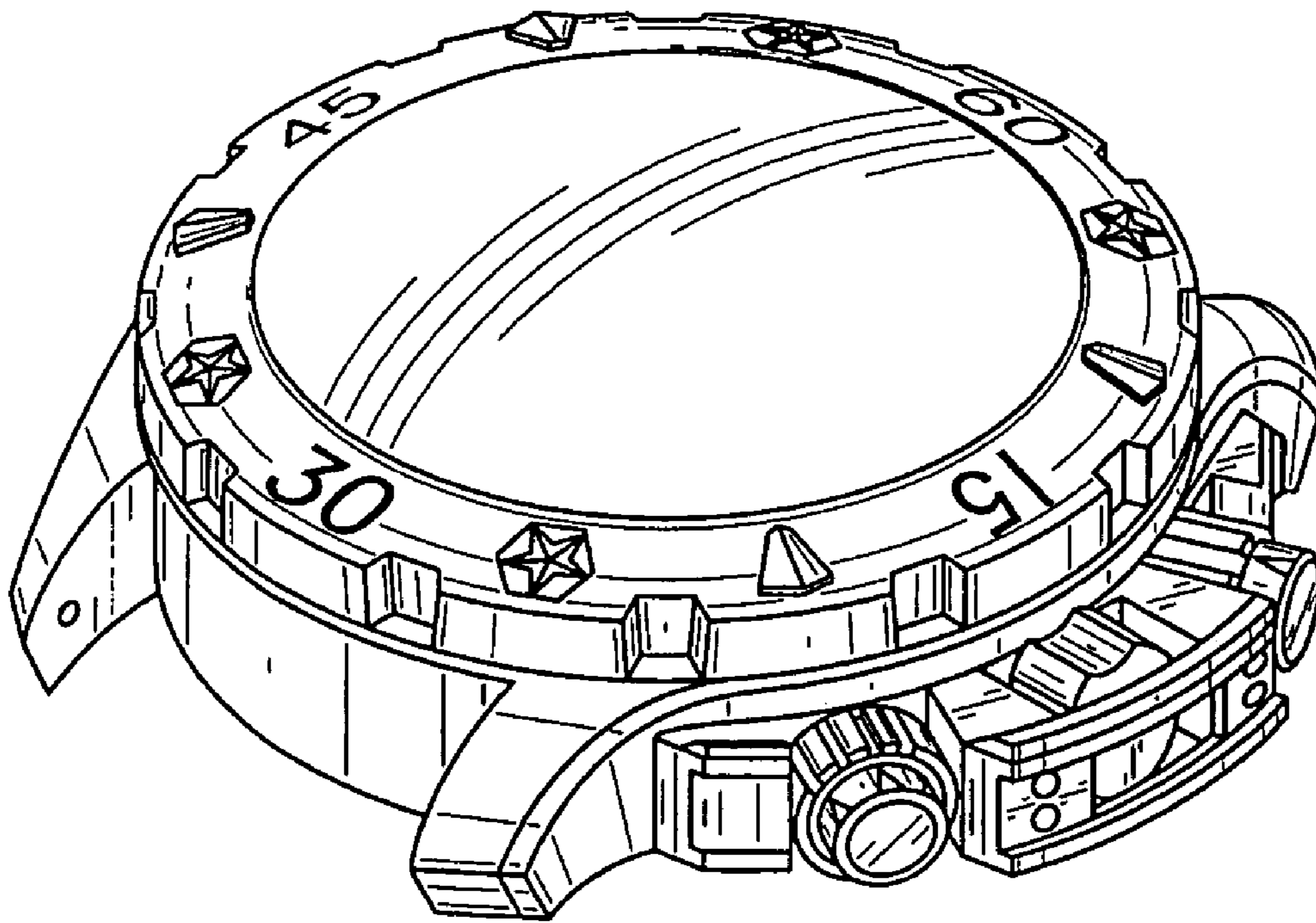


FIG. 1

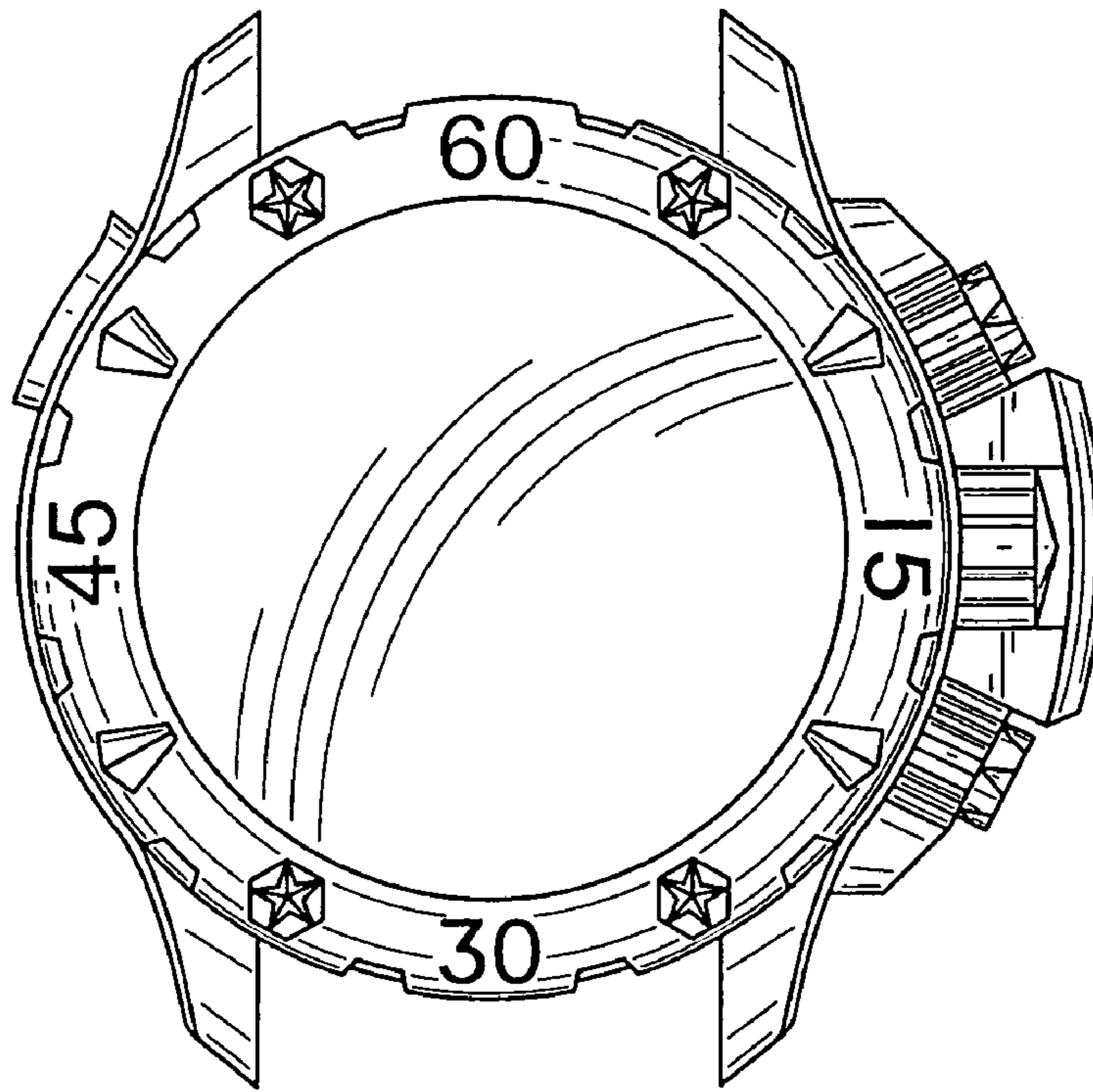


FIG. 2

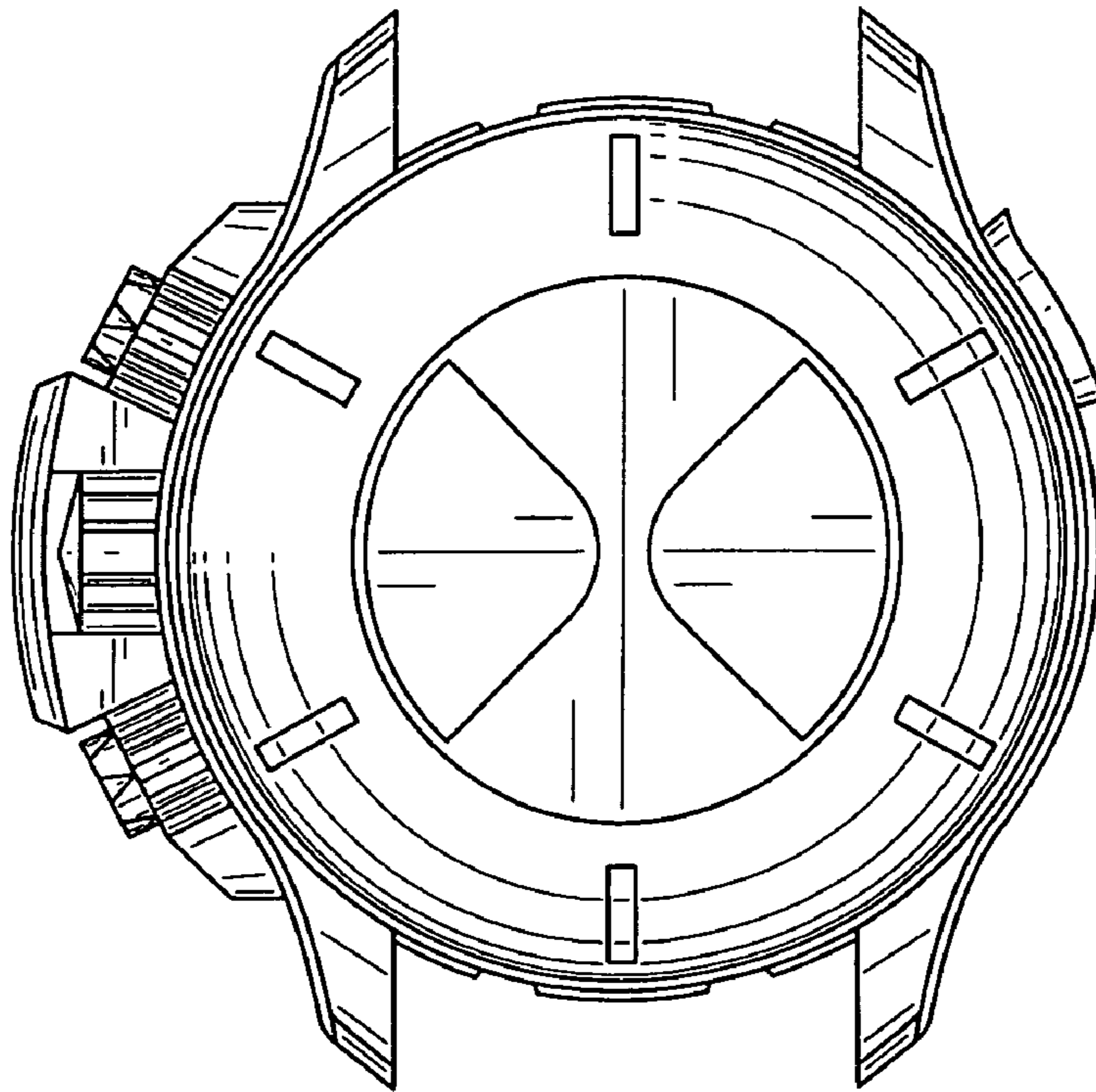


FIG. 3

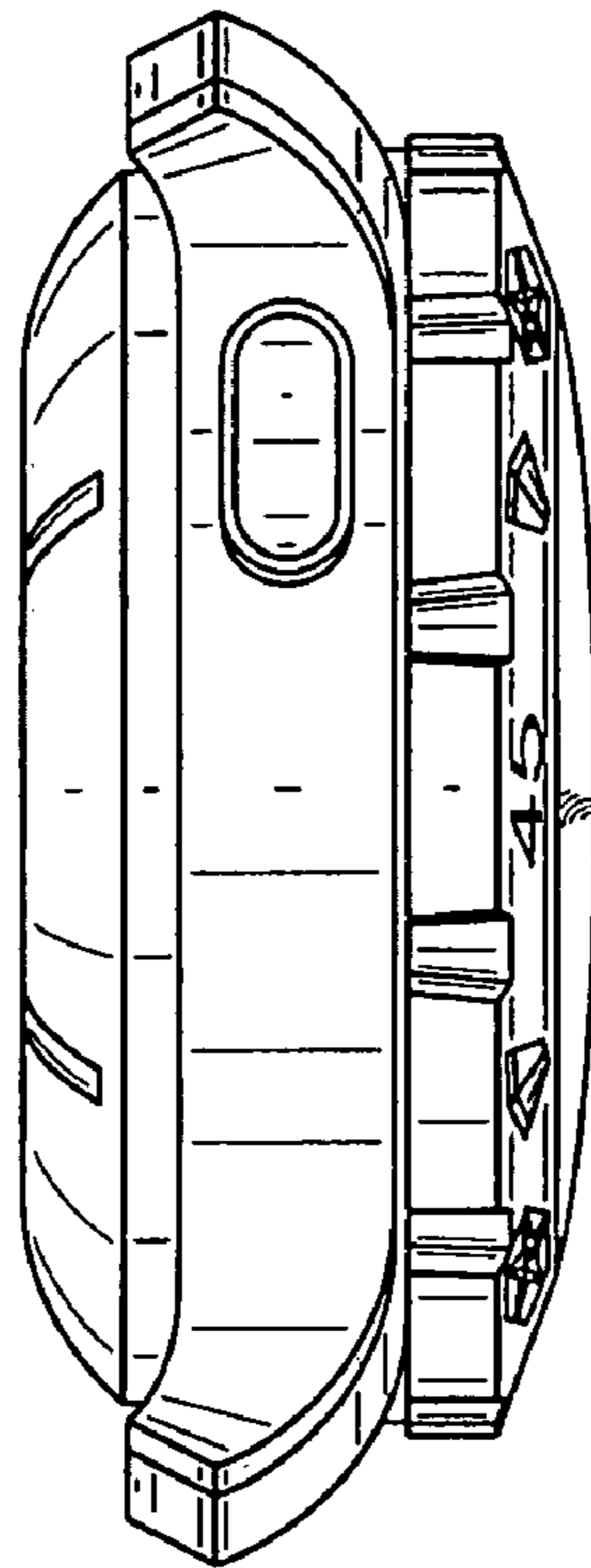


FIG. 4

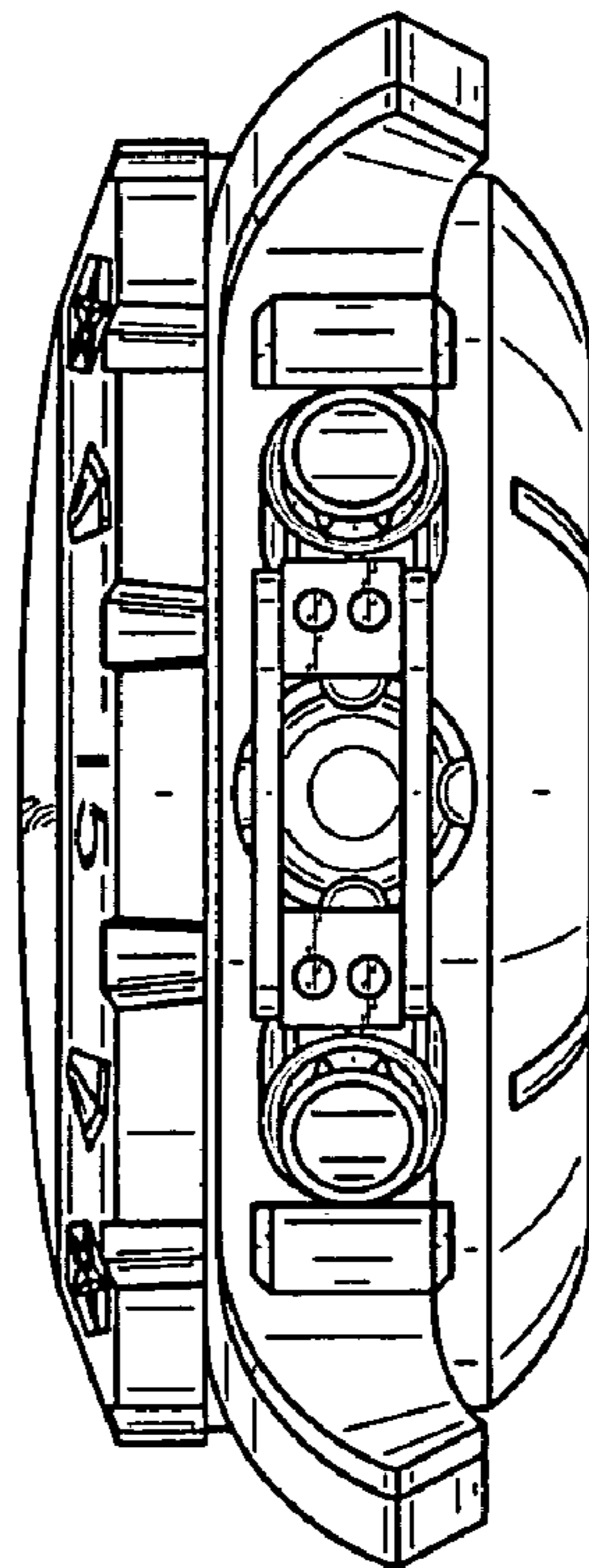


FIG. 5

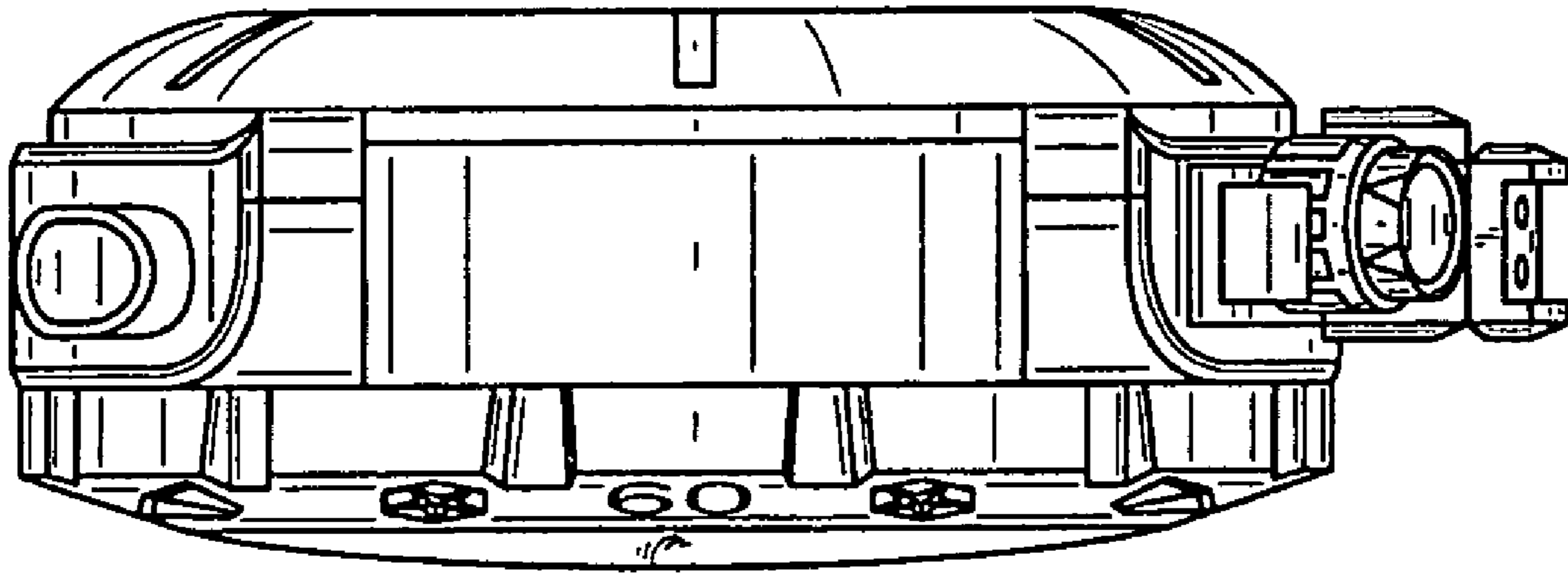


FIG. 6

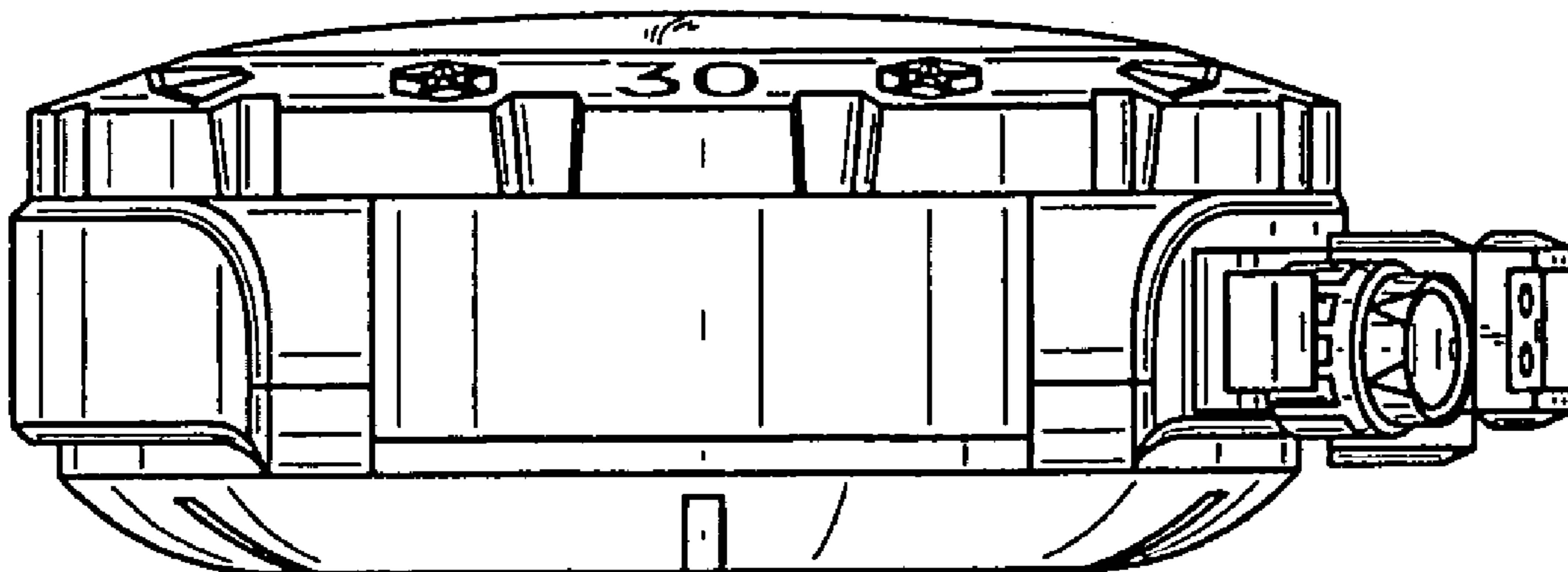


FIG. 7