



US00D551100S

(12) **United States Design Patent**
Okaya

(10) **Patent No.:** **US D551,100 S**

(45) **Date of Patent:** **** Sep. 18, 2007**

(54) **WATCH CASE**

(75) **Inventor:** **Tetsuo Okaya, Suwa (JP)**

(73) **Assignee:** **Seiko Watch Kabushiki Kaisha (JP)**

(**) **Term:** **14 Years**

(21) **Appl. No.:** **29/234,043**

(22) **Filed:** **Jul. 13, 2005**

(30) **Foreign Application Priority Data**

Jan. 17, 2005 (JP) D2005-000970

(51) **LOC (8) Cl.** **10-02**

(52) **U.S. Cl.** **D10/38**

(58) **Field of Classification Search** D10/30-39,
D10/122-132; 368/276-278, 281-283, 285,
368/228, 232, 223, 28

See application file for complete search history.

(56) **References Cited**

U.S. PATENT DOCUMENTS

4,653,933	A	*	3/1987	Reichel	368/282
D334,715	S	*	4/1993	Besson	D10/39
D336,616	S	*	6/1993	Gueit	D10/39
5,235,562	A	*	8/1993	Vaucher	368/28
D352,470	S	*	11/1994	Besson	D10/39
D373,957	S	*	9/1996	Mareschal	D10/30
D386,421	S	*	11/1997	Kennedy	D10/30
5,943,299	A	*	8/1999	Genta	368/28
D443,835	S	*	6/2001	Butler	D10/33

D459,241	S	*	6/2002	Bodino	D10/32
D473,473	S	*	4/2003	Wunderman	D10/32
D484,423	S	*	12/2003	Takahashi	D10/32
D508,653	S	*	8/2005	Roden	D10/32

OTHER PUBLICATIONS

Official Japanese Gazette; Japanese Design Registration No. 821437, Issued Oct. 29, 1991.

Official Japanese Gazette; Japanese Design Registration No. 851068, Issued Oct. 28, 1992.

Official Japanese Gazette; Japanese Design Registration No. 888910, Issued Jan. 31, 1994.

* cited by examiner

Primary Examiner—Lucy Lieberman

(74) *Attorney, Agent, or Firm*—Saidman DesignLaw Group

(57) **CLAIM**

The ornamental design for a watch case, as shown and described.

DESCRIPTION

FIG. 1 is a perspective view of a watch case;

FIG. 2 is a front view thereof;

FIG. 3 is a rear view thereof;

FIG. 4 is a left side view thereof;

FIG. 5 is a right side view thereof;

FIG. 6 is a top plan view thereof; and,

FIG. 7 is a bottom view thereof.

1 Claim, 4 Drawing Sheets

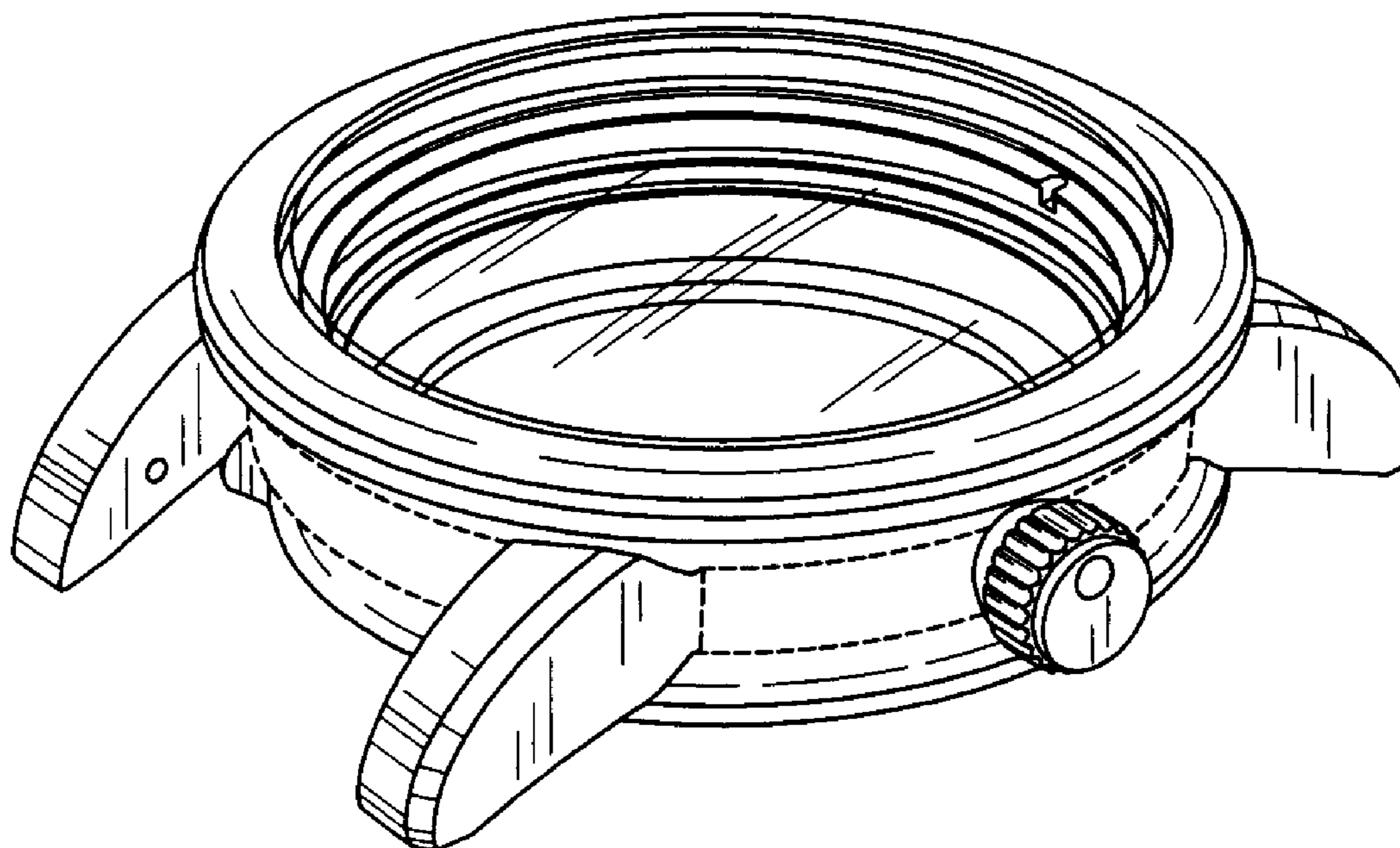


Fig.1

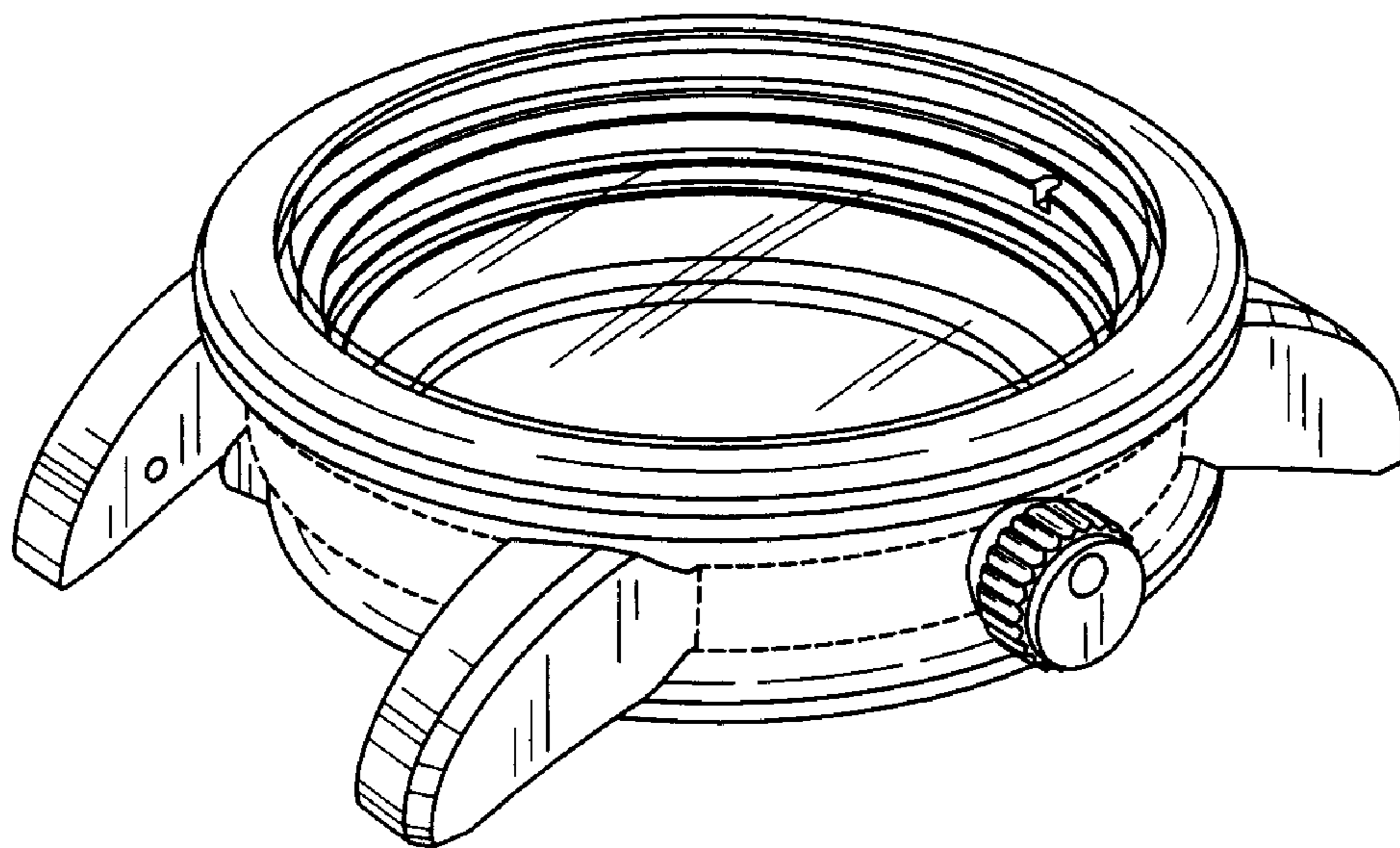


Fig.2

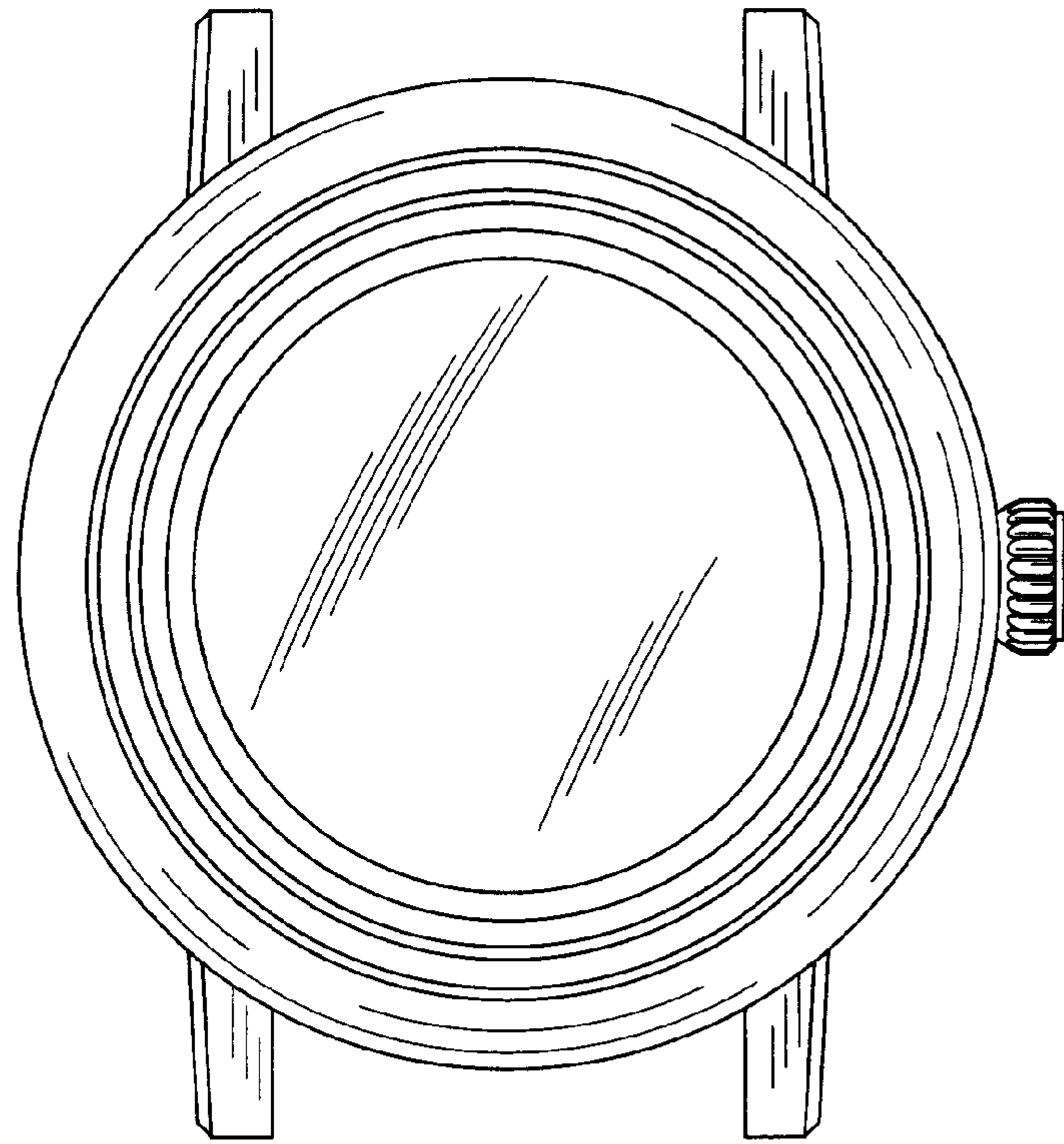


Fig.3

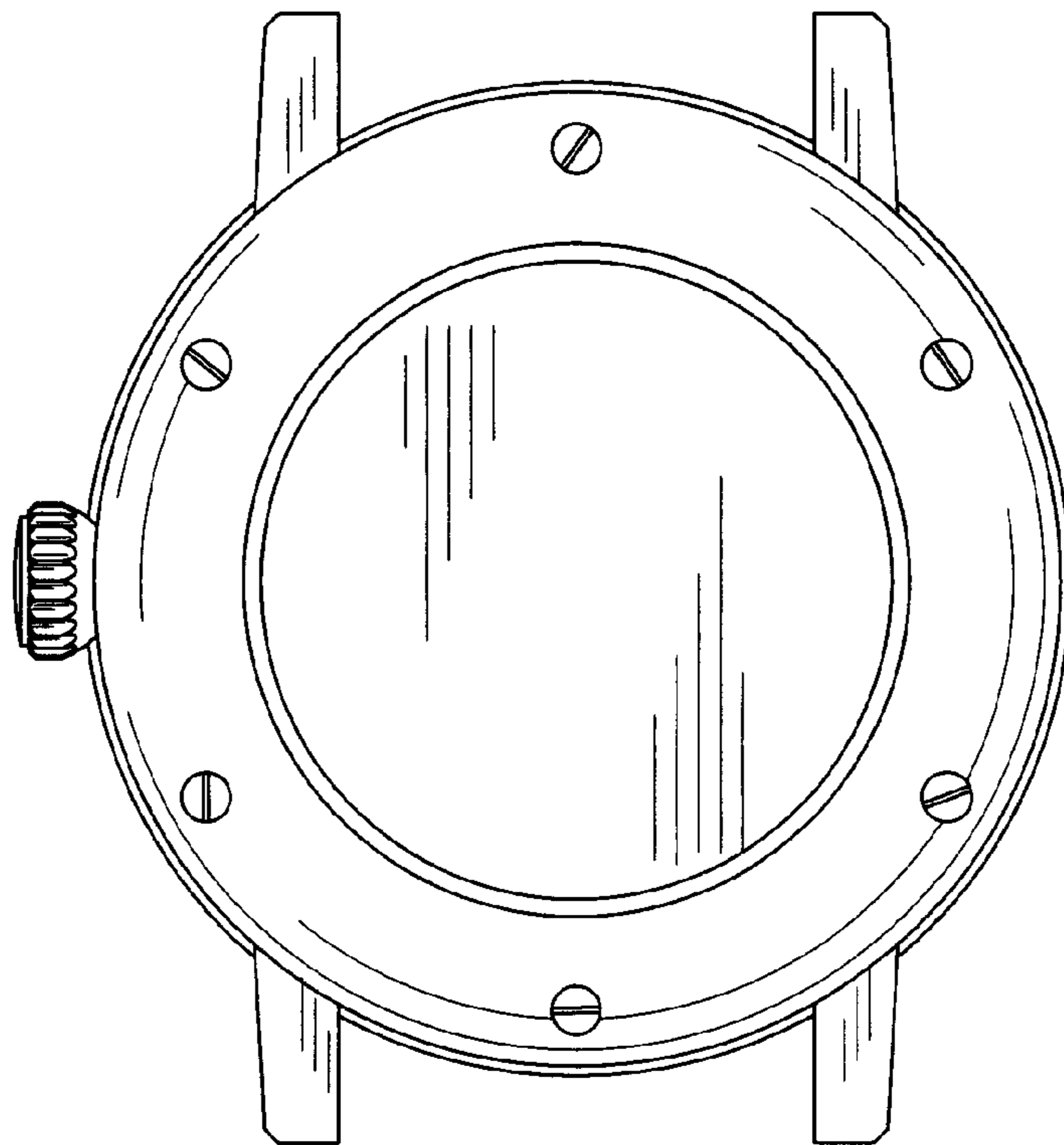


Fig.4

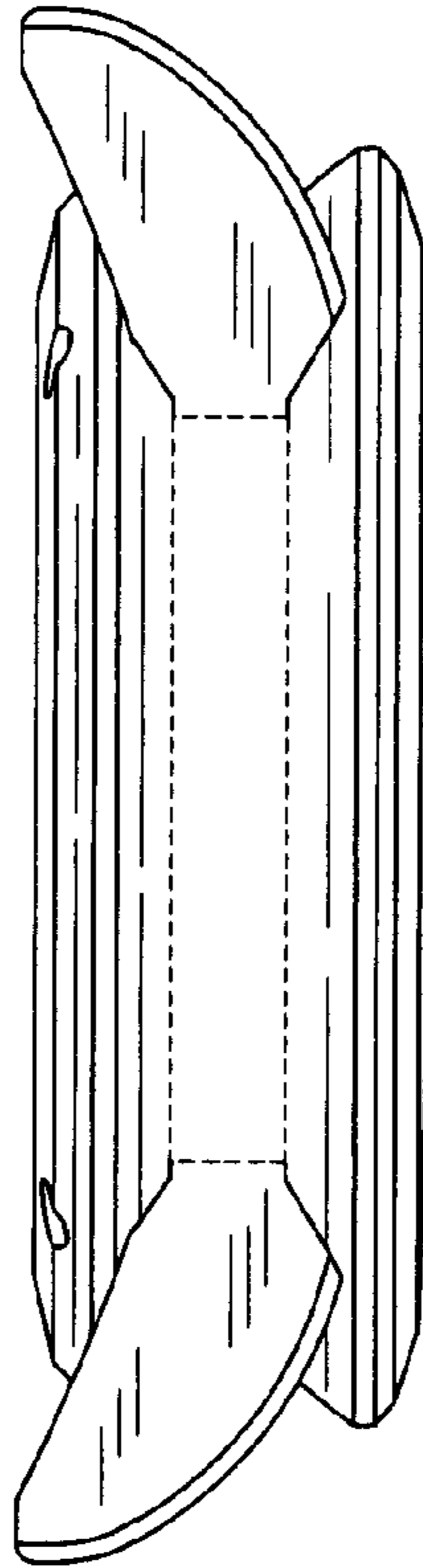


Fig.5

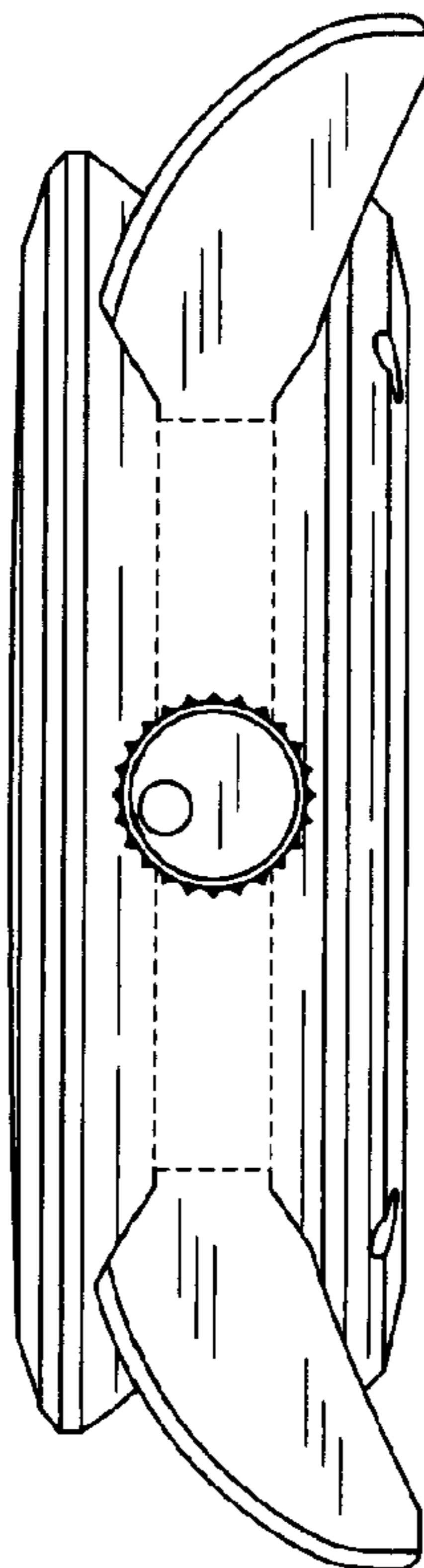


Fig.6

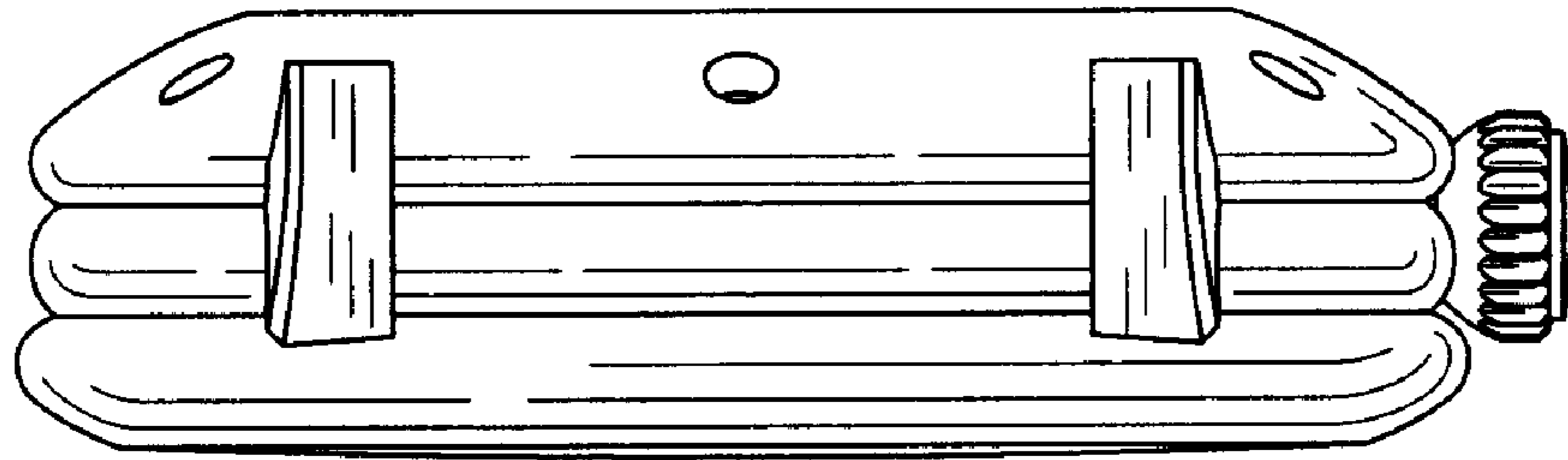
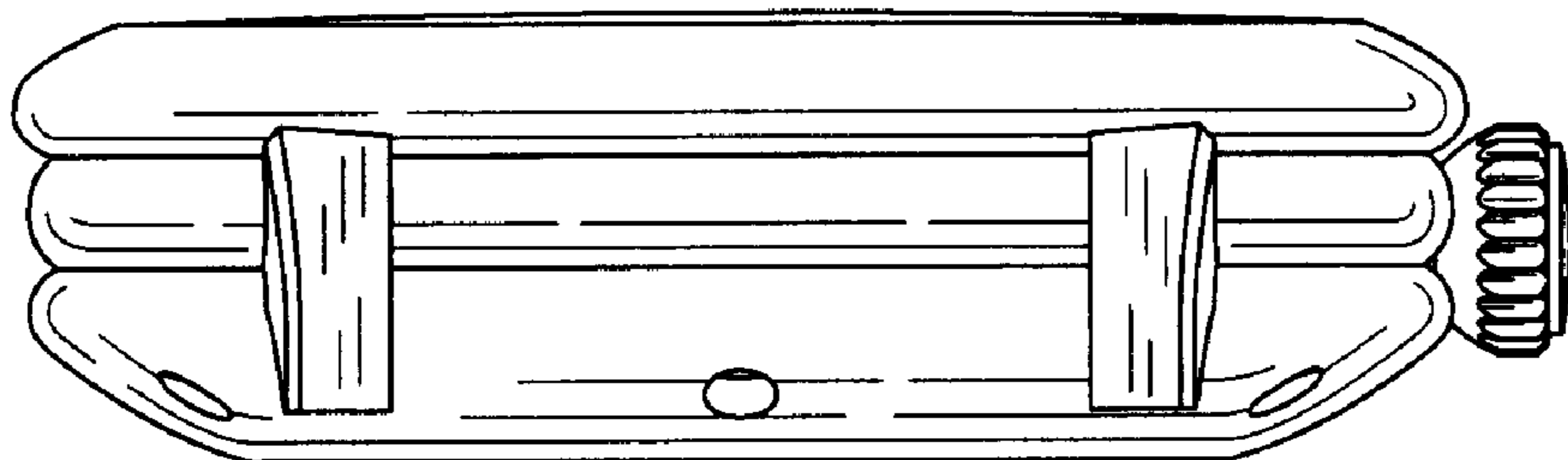


Fig.7



UNITED STATES PATENT AND TRADEMARK OFFICE
CERTIFICATE OF CORRECTION

PATENT NO. : Des. 551,100 S
APPLICATION NO. : 29/234043
DATED : September 18, 2007
INVENTOR(S) : Tetsuo Okaya

Page 1 of 6

It is certified that error appears in the above-identified patent and that said Letters Patent is hereby corrected as shown below:

The title page, showing an illustrative figure, should be deleted and substitute therefor the attached title page.

Delete drawing sheets 1 – 4, and substitute therefor the drawing sheets consisting of FIGS. 1 – 7 as shown on the attached pages.

Signed and Sealed this

Eleventh Day of December, 2007

A handwritten signature in black ink on a light gray dotted background. The signature reads "Jon W. Dudas" in a cursive style.

JON W. DUDAS

Director of the United States Patent and Trademark Office

(12) **United States Design Patent**
Okaya

(10) Patent No.: **US D551,100 S**
(45) Date of Patent: **** Sep. 18, 2007**

(54) WATCH CASE

(75) Inventor: Tetsuo Okaya, Suwa (JP)

(73) Assignee: Seiko Watch Kabushiki Kaisha (JP)

(**) Term: 14 Years

(21) Appl. No.: 29/234,043

(22) Filed: Jul. 13, 2005

(30) Foreign Application Priority Data

Jan. 17, 2005 (JP) D2005-000970

(51) LOC (8) Cl. 10-02

(52) U.S. Cl. D10/38

(58) Field of Classification Search D10/30-39,
D10/122-132; 368/276-278, 281-283, 285,
368/228, 232, 223, 28

See application file for complete search history.

(56) References Cited

U.S. PATENT DOCUMENTS

4,653,933 A *	3/1987	Reichel	368/282
D334,715 S *	4/1993	Besson	D10/39
D336,616 S *	6/1993	Guest	D10/39
5,235,562 A *	8/1993	Vaucher	368/28
D352,470 S *	11/1994	Besson	D10/39
D373,957 S *	9/1996	Marschal	D10/30
D386,421 S *	11/1997	Kennedy	D10/30
5,943,299 A *	8/1999	Genta	368/28
D443,835 S *	6/2001	Butler	D10/33

D459,241 S *	6/2002	Bodino	D10/32
D473,473 S *	4/2003	Wunderman	D10/32
D484,423 S *	12/2003	Takahashi	D10/32
D508,653 S *	8/2005	Reden	D10/32

OTHER PUBLICATIONS

Official Japanese Gazette; Japanese Design Registration No. 821437, Issued Oct. 29, 1991.
Official Japanese Gazette; Japanese Design Registration No. 851068, Issued Oct. 28, 1992.
Official Japanese Gazette; Japanese Design Registration No. 888910, Issued Jan. 31, 1994.

* cited by examiner

Primary Examiner—Lucy Lieberman

(74) Attorney, Agent, or Firm—Seldman DesignLaw Group

(57) CLAIM

The ornamental design for a watch case, as shown and described.

DESCRIPTION

FIG. 1 is a perspective view of a watch case;
FIG. 2 is a front view thereof;
FIG. 3 is a rear view thereof;
FIG. 4 is a left side view thereof;
FIG. 5 is a right side view thereof;
FIG. 6 is a top plan view thereof; and,
FIG. 7 is a bottom view thereof.

1 Claim, 4 Drawing Sheets

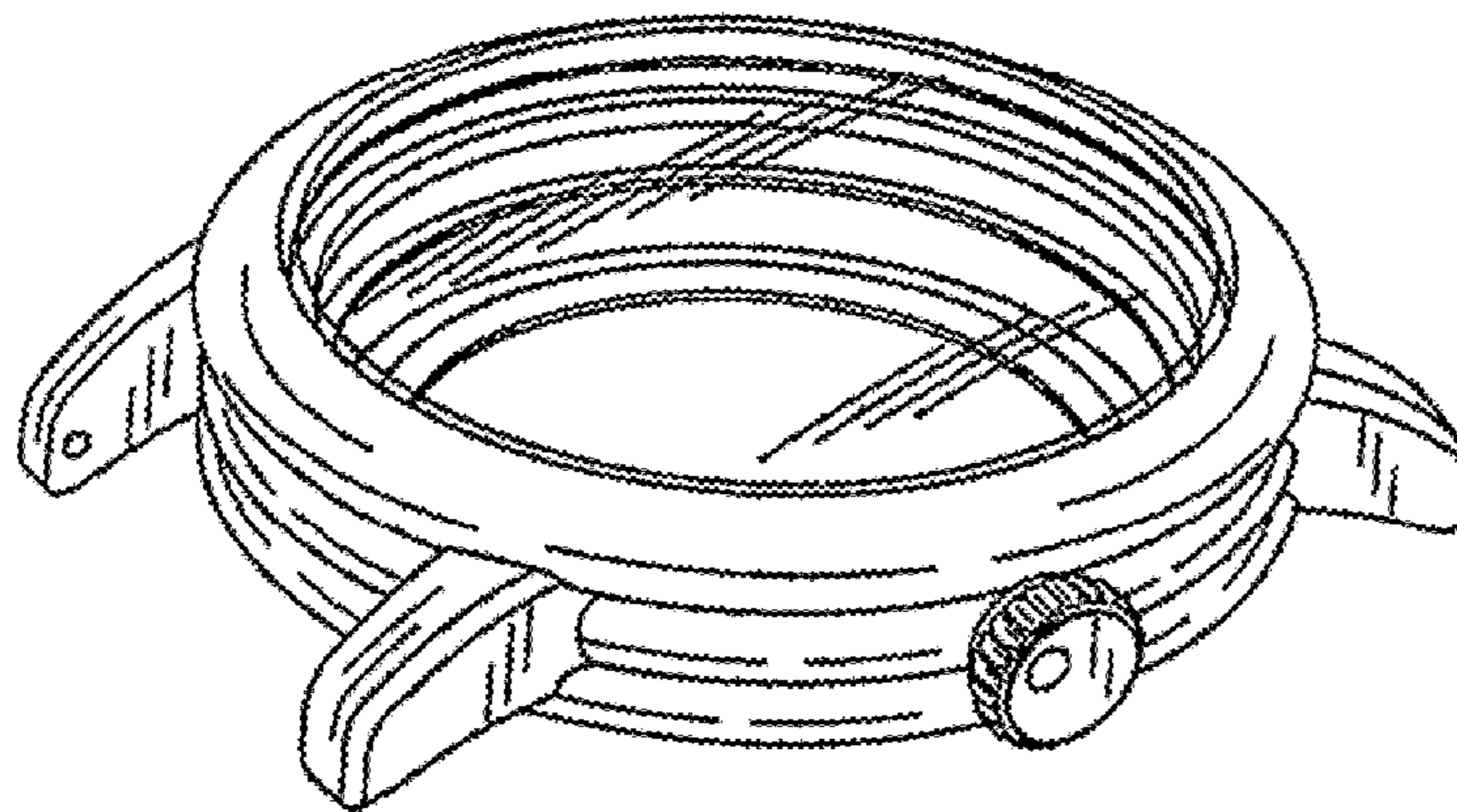


Fig.1

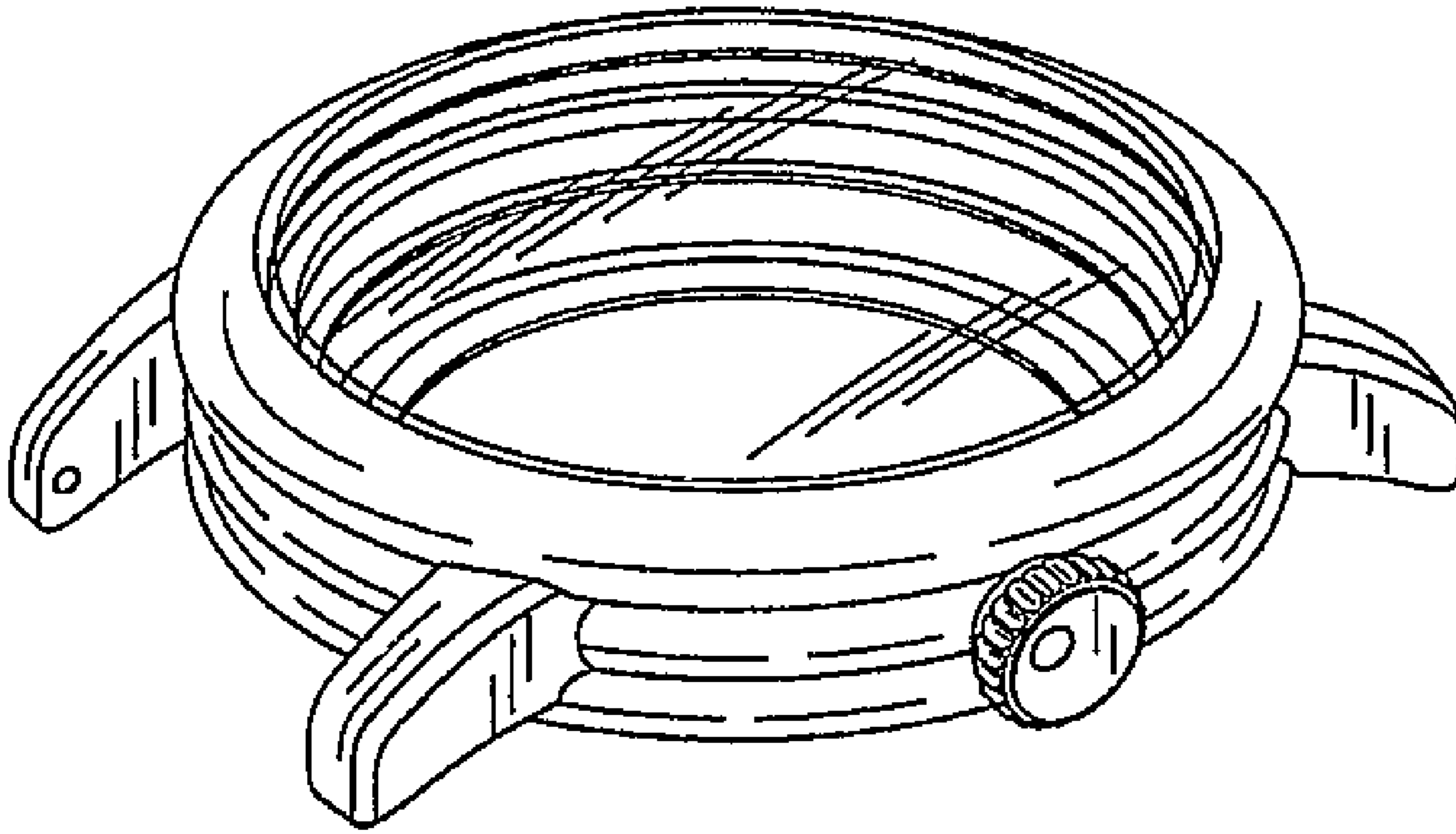


Fig.2

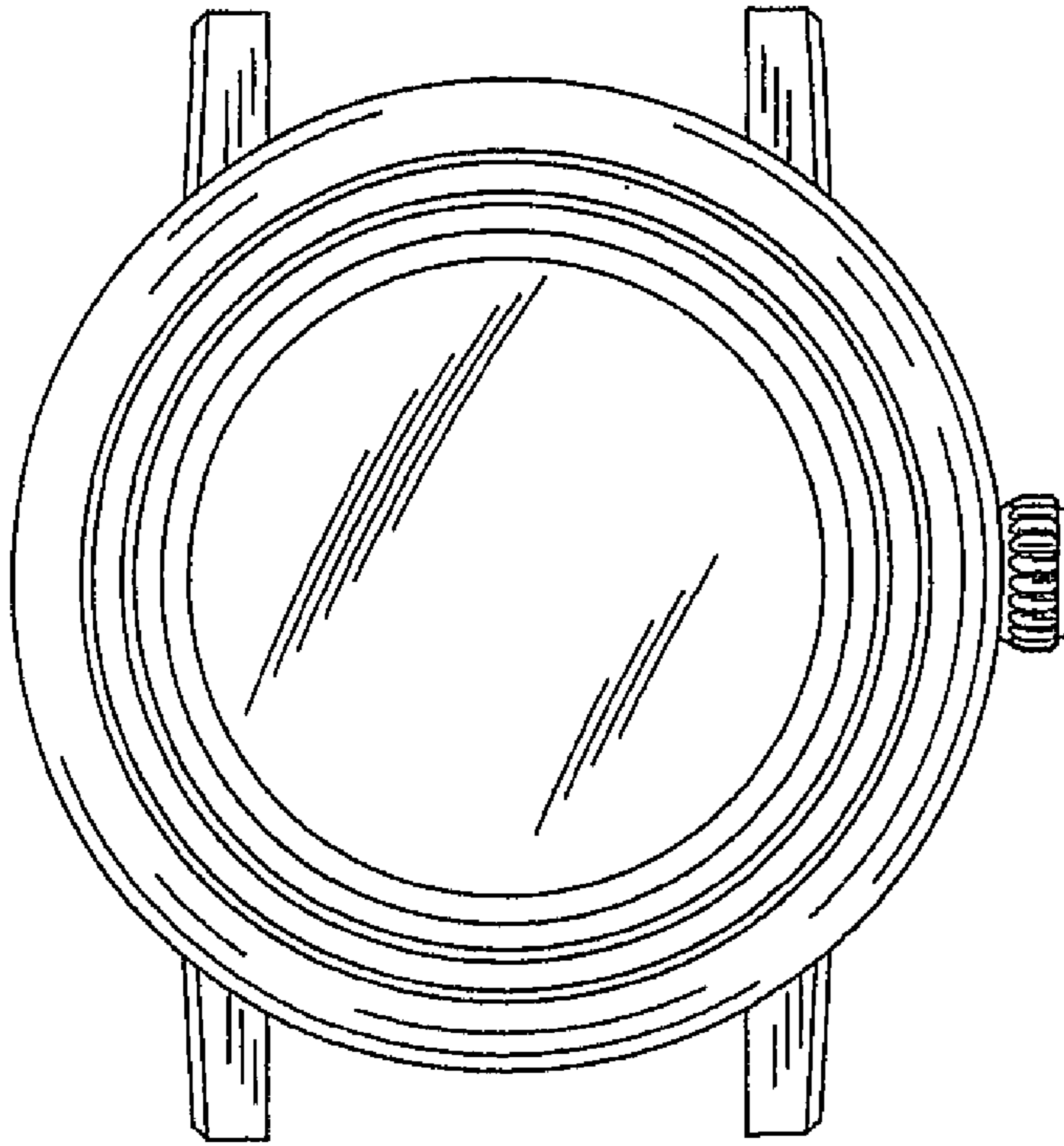


Fig.3

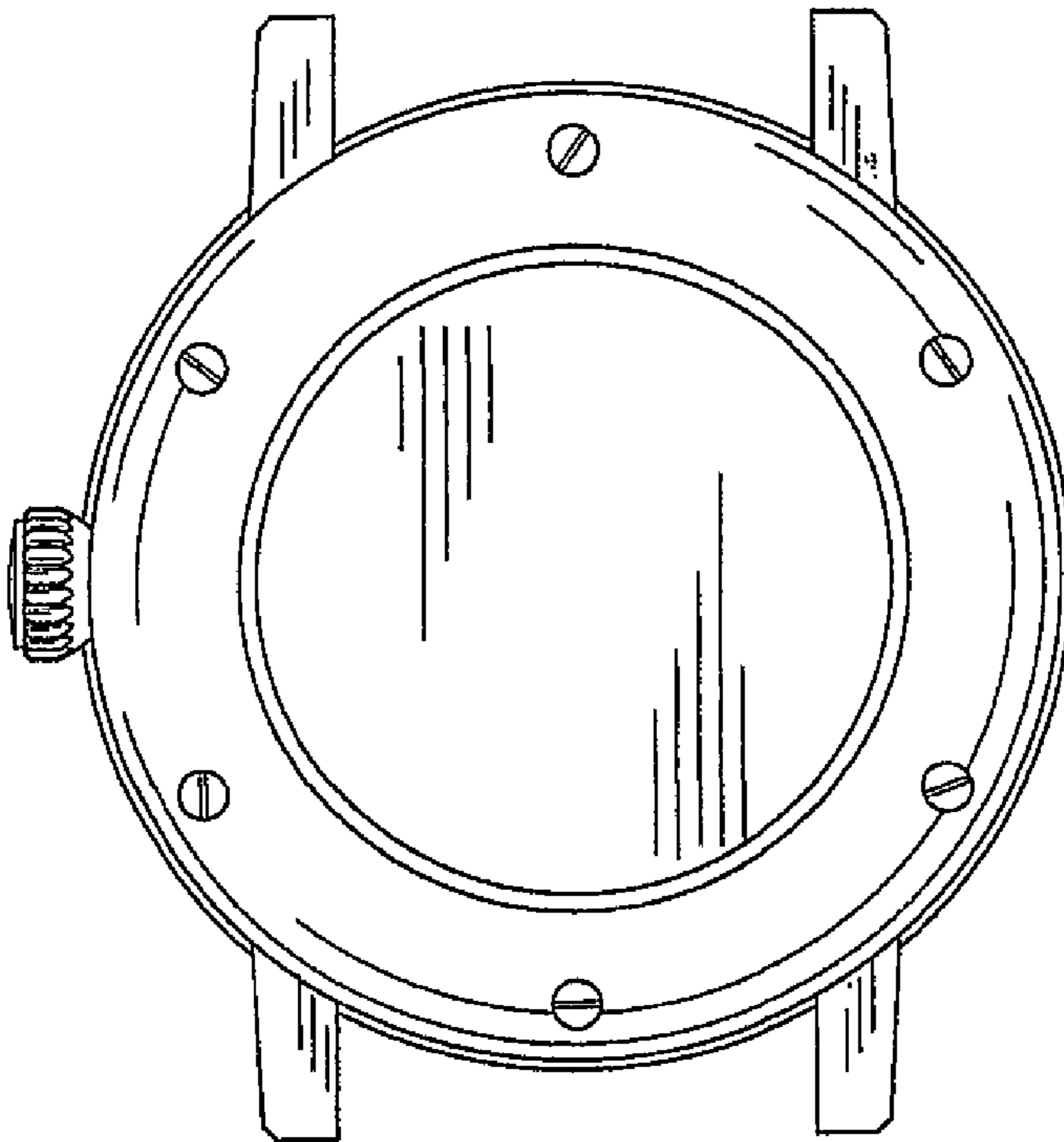


Fig.4



Fig.5

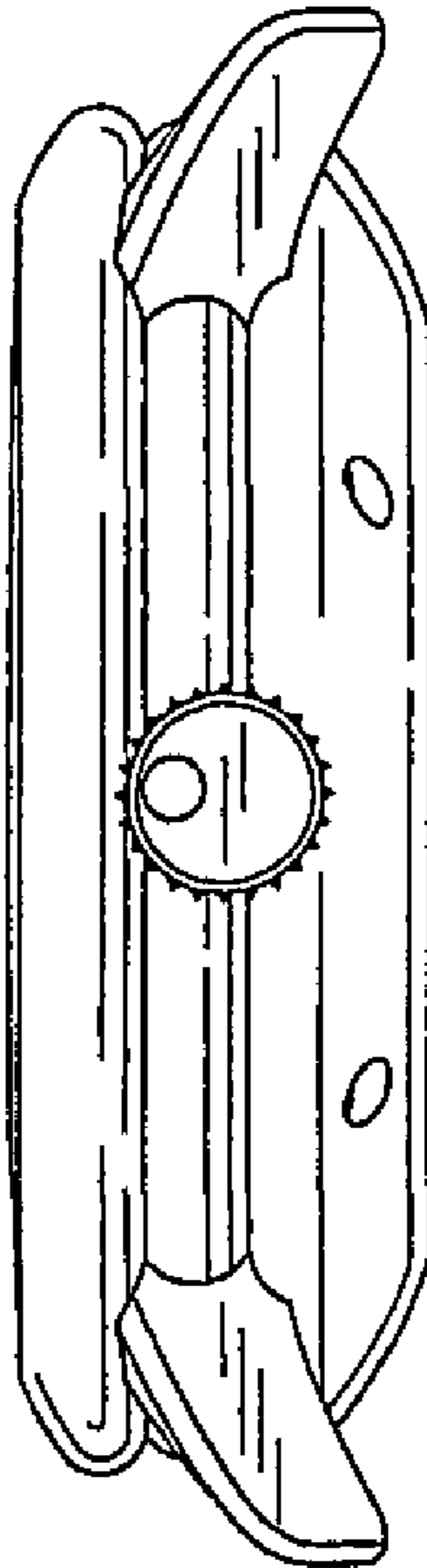


Fig.6

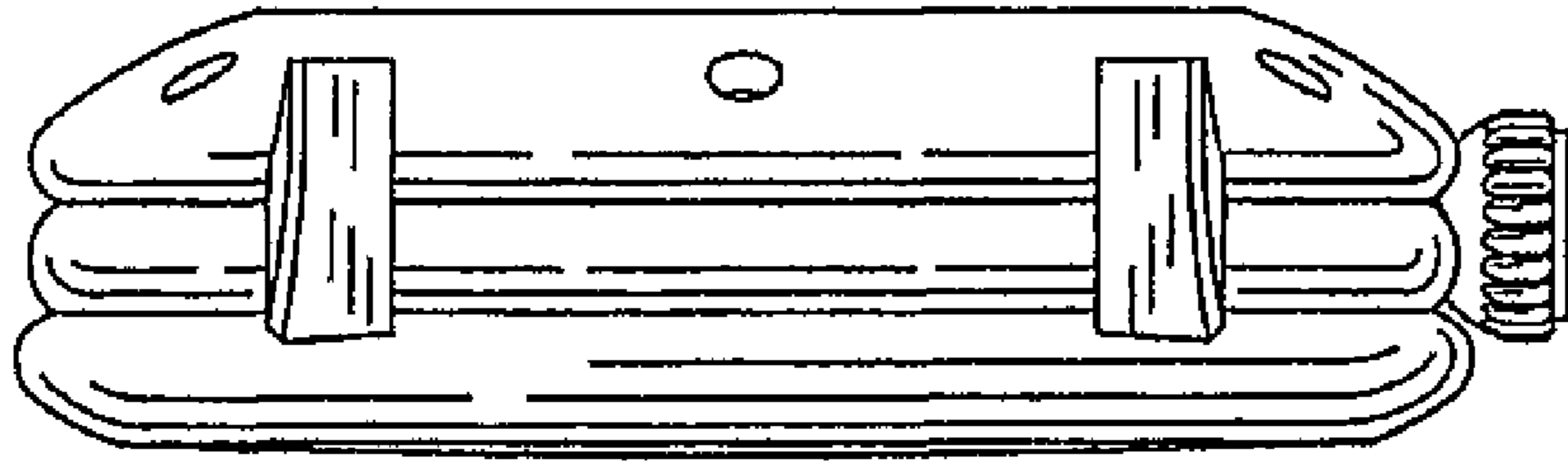


Fig.7

