



US00D551098S

(12) **United States Design Patent**
Modolo

(10) **Patent No.:** **US D551,098 S**

(45) **Date of Patent:** **** Sep. 18, 2007**

(54) **WRISTWATCH**

(75) Inventor: **Dino Modolo**, La Chaux-de-Fonds
(CH)

(73) Assignee: **Luxury Timepieces International SA**,
Cortailod (CH)

(**) Term: **14 Years**

(21) Appl. No.: **29/267,209**

(22) Filed: **Oct. 10, 2006**

(30) **Foreign Application Priority Data**

Jun. 21, 2006 (CH) 132888

(51) **LOC (8) Cl.** **10-02**

(52) **U.S. Cl.** **D10/32**

(58) **Field of Classification Search** D10/30-39,
D10/122-132; D11/3, 4, 12; 368/276, 281,
368/282, 285; 63/3, 3.1, 4, 7; 224/179
See application file for complete search history.

(56) **References Cited**

U.S. PATENT DOCUMENTS

2,189,096 A * 2/1940 Alonge 224/170
2,400,591 A * 5/1946 Nanasi 59/80
D152,729 S * 2/1949 Philippe D11/15
D278,686 S * 5/1985 Mathez D10/39
D299,117 S * 12/1988 Maroni D10/32
D314,153 S * 1/1991 Ratajski D10/32

D398,541 S * 9/1998 Voegeli D10/32
D399,161 S * 10/1998 Mougnot D11/3
D412,445 S * 8/1999 Bodino D10/32
D413,526 S * 9/1999 Perrin et al. D10/30
D420,599 S * 2/2000 Perrin et al. D10/32
D447,704 S * 9/2001 Deguines D10/39
6,344,103 B1 * 2/2002 Cheng et al. 156/230
D468,657 S * 1/2003 Calvani et al. D11/12
D519,396 S * 4/2006 Migliorati D11/4
D533,086 S * 12/2006 Bedat D10/32

* cited by examiner

Primary Examiner—Lucy Lieberman

(74) *Attorney, Agent, or Firm*—Sughrue Mion, PLLC

(57) **CLAIM**

The ornamental design for a wristwatch, as shown.

DESCRIPTION

FIG. 1 is a perspective view of the front and right side of a wristwatch showing my new design;

FIG. 2 is a front elevational view thereof;

FIG. 3 is a rear elevational view thereof;

FIG. 4 is a right side elevational view thereof;

FIG. 5 is a left side elevational view thereof;

FIG. 6 is a top plan view thereof; and,

FIG. 7 is a bottom plan view thereof.

1 Claim, 2 Drawing Sheets

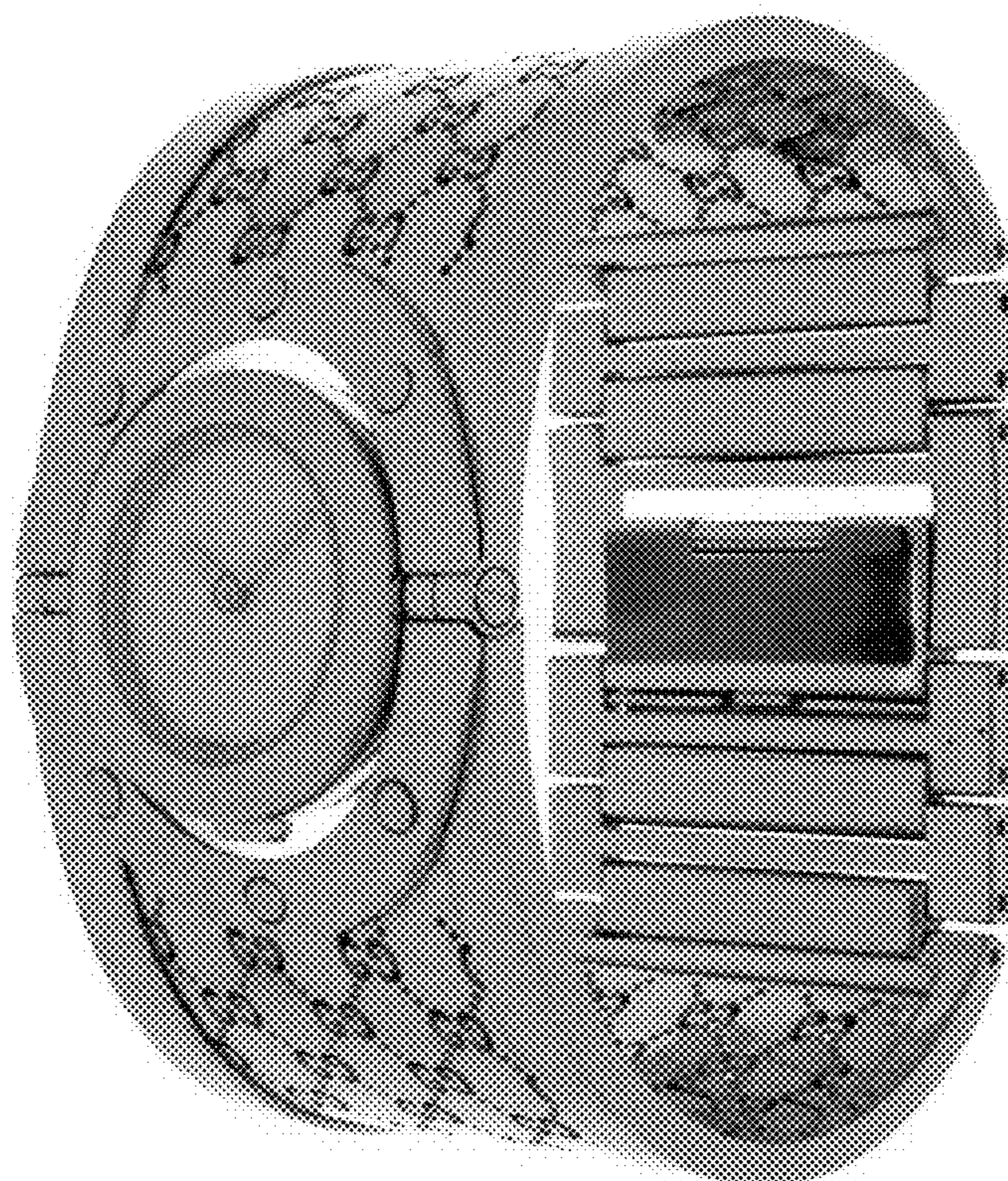


FIG. 1

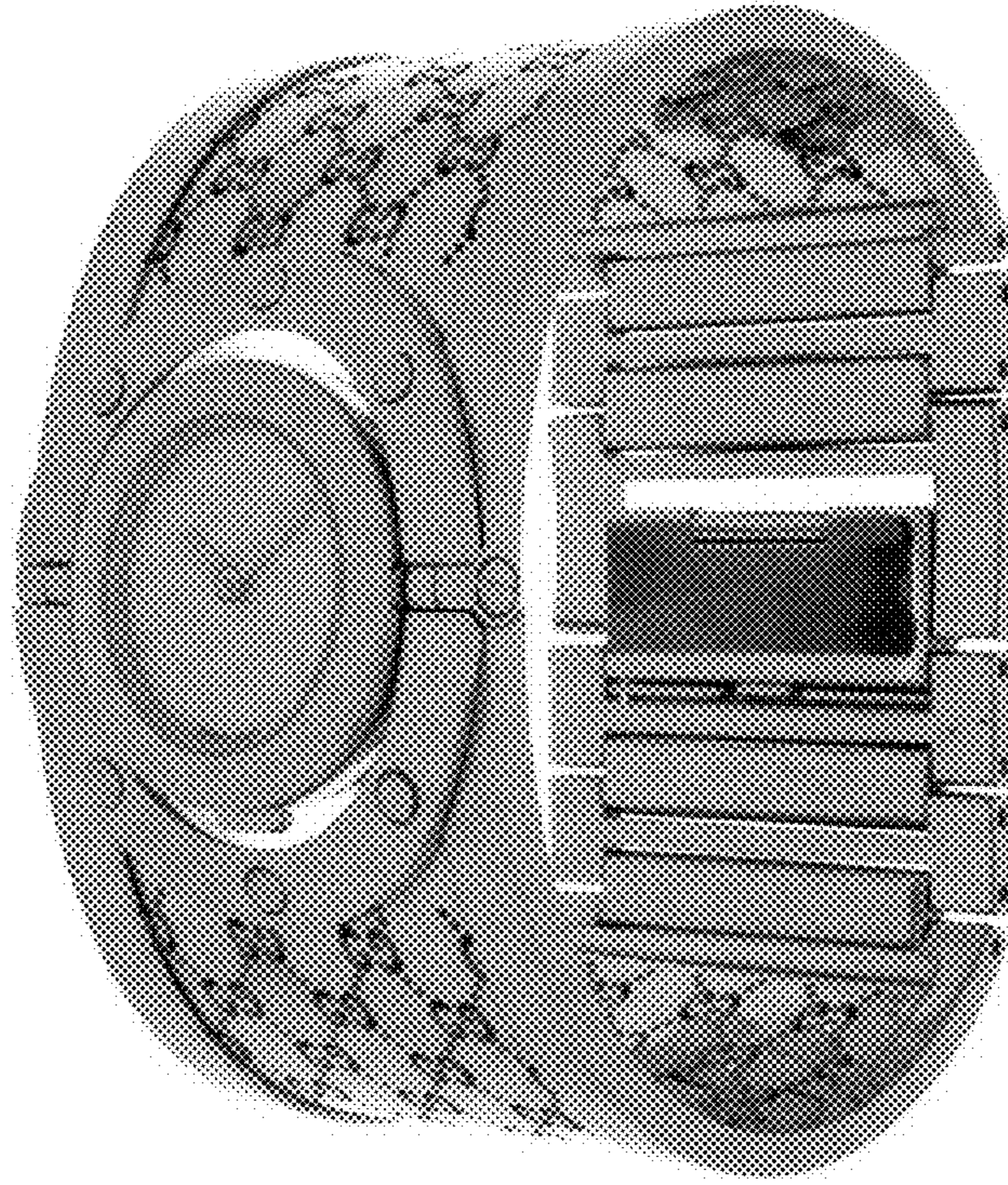


FIG. 2

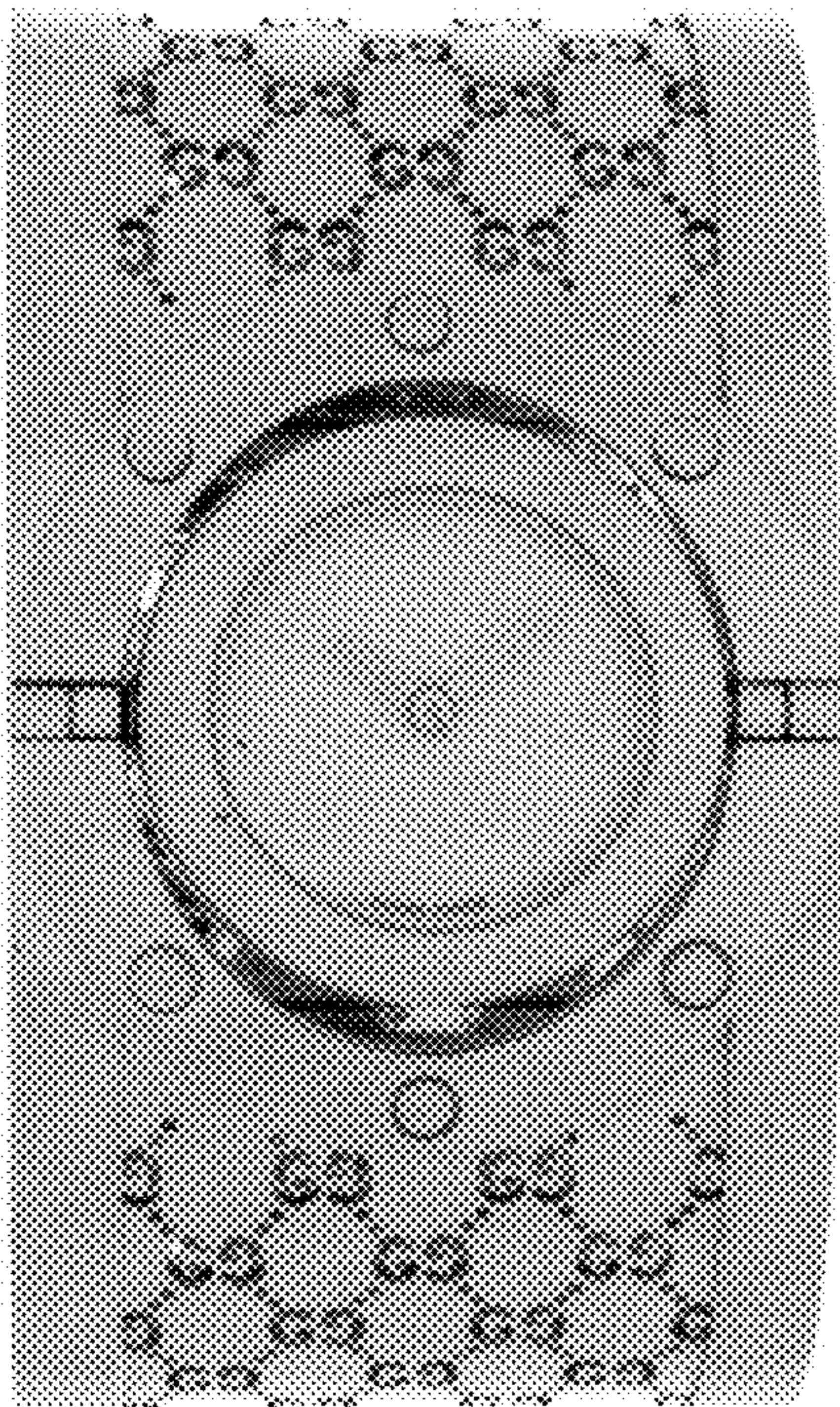


FIG. 3

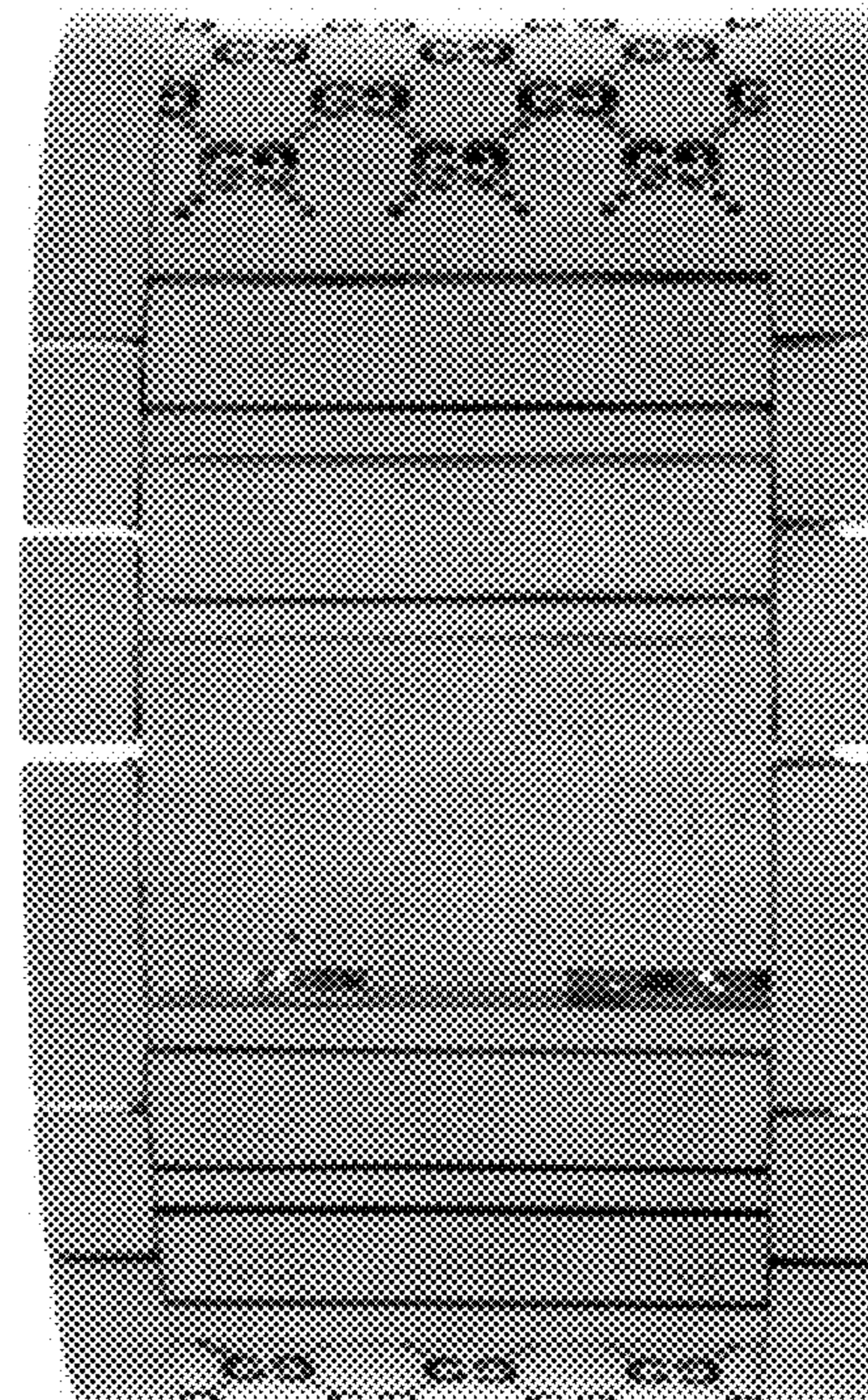


FIG. 4

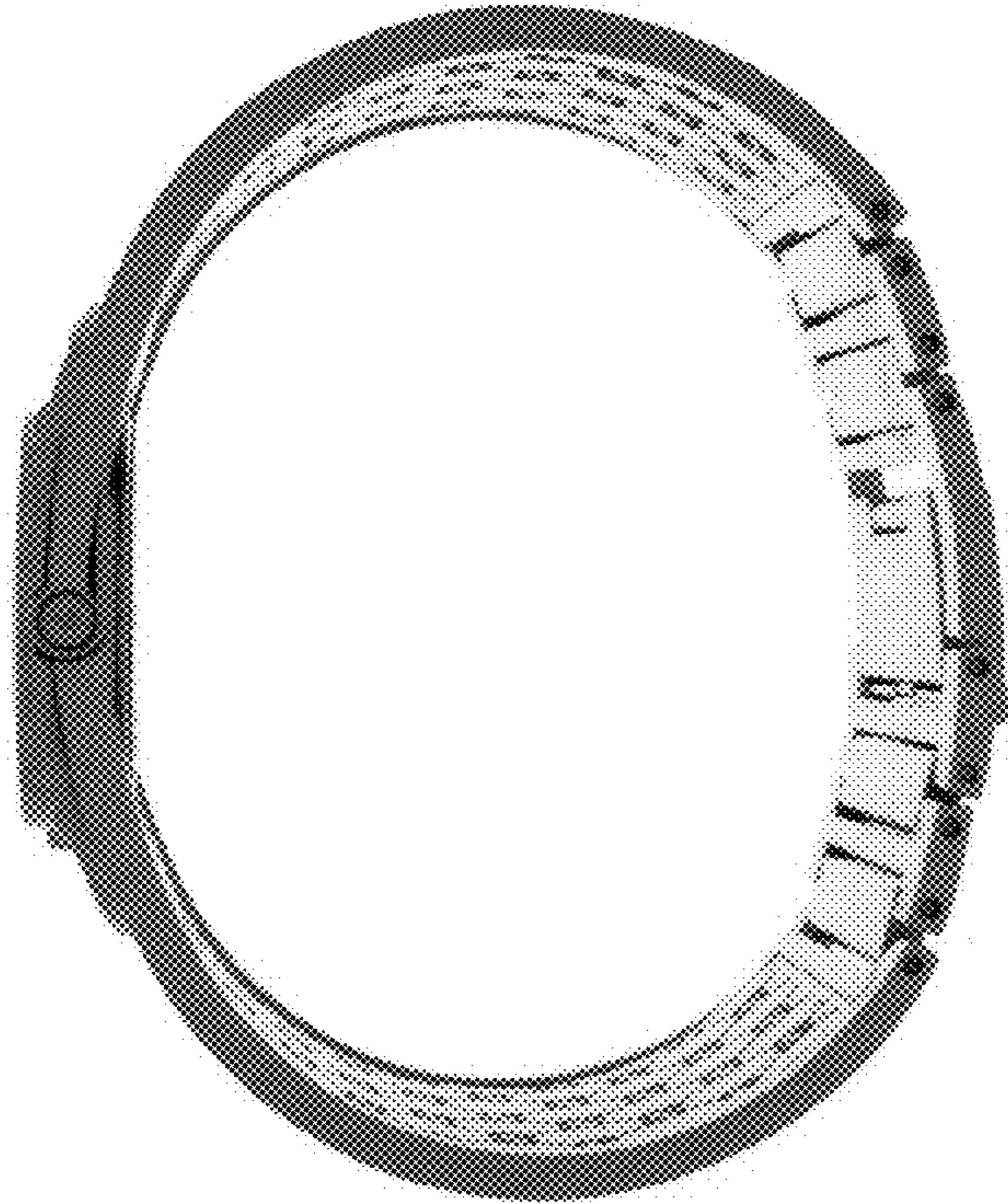


FIG. 6

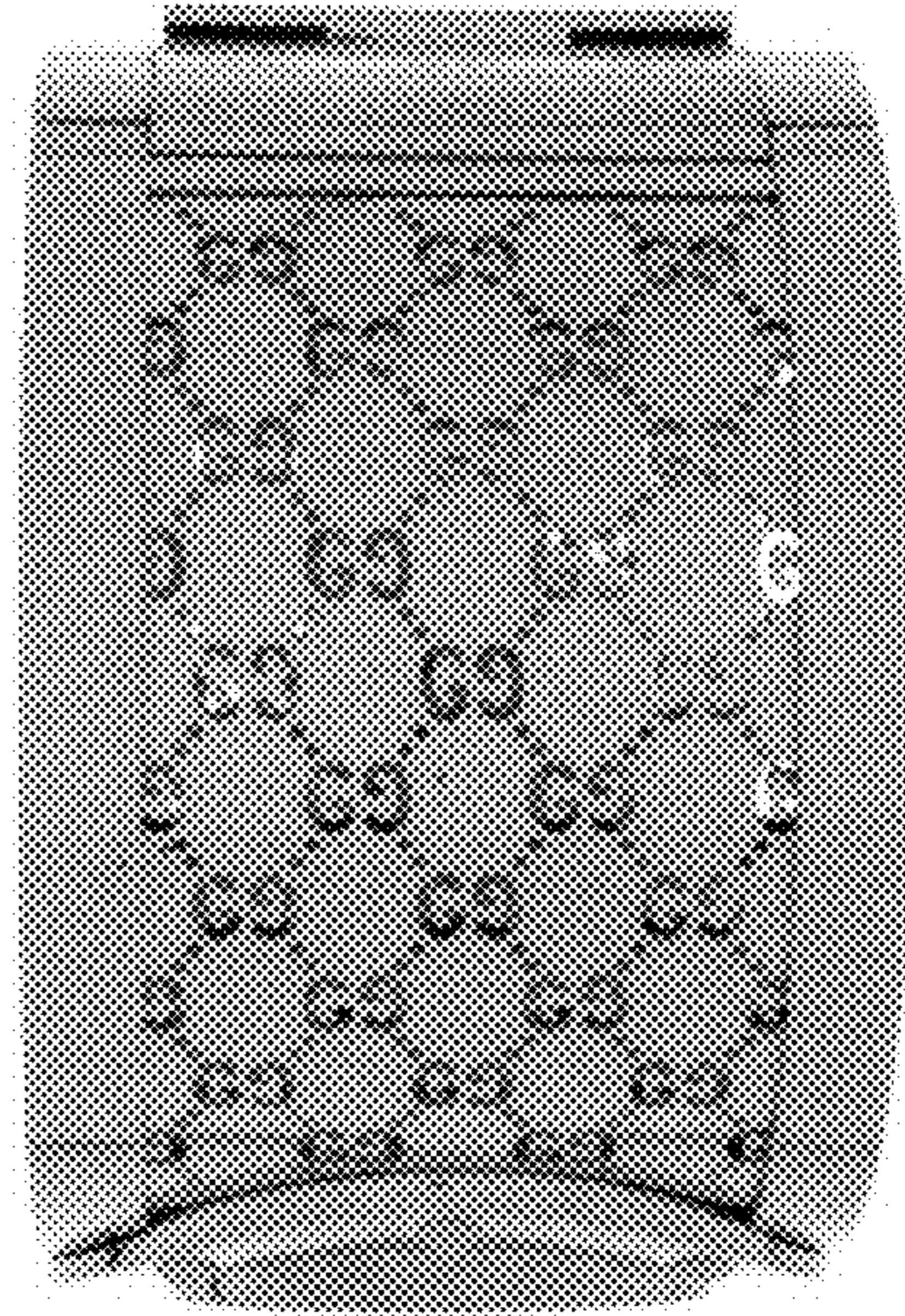


FIG. 5

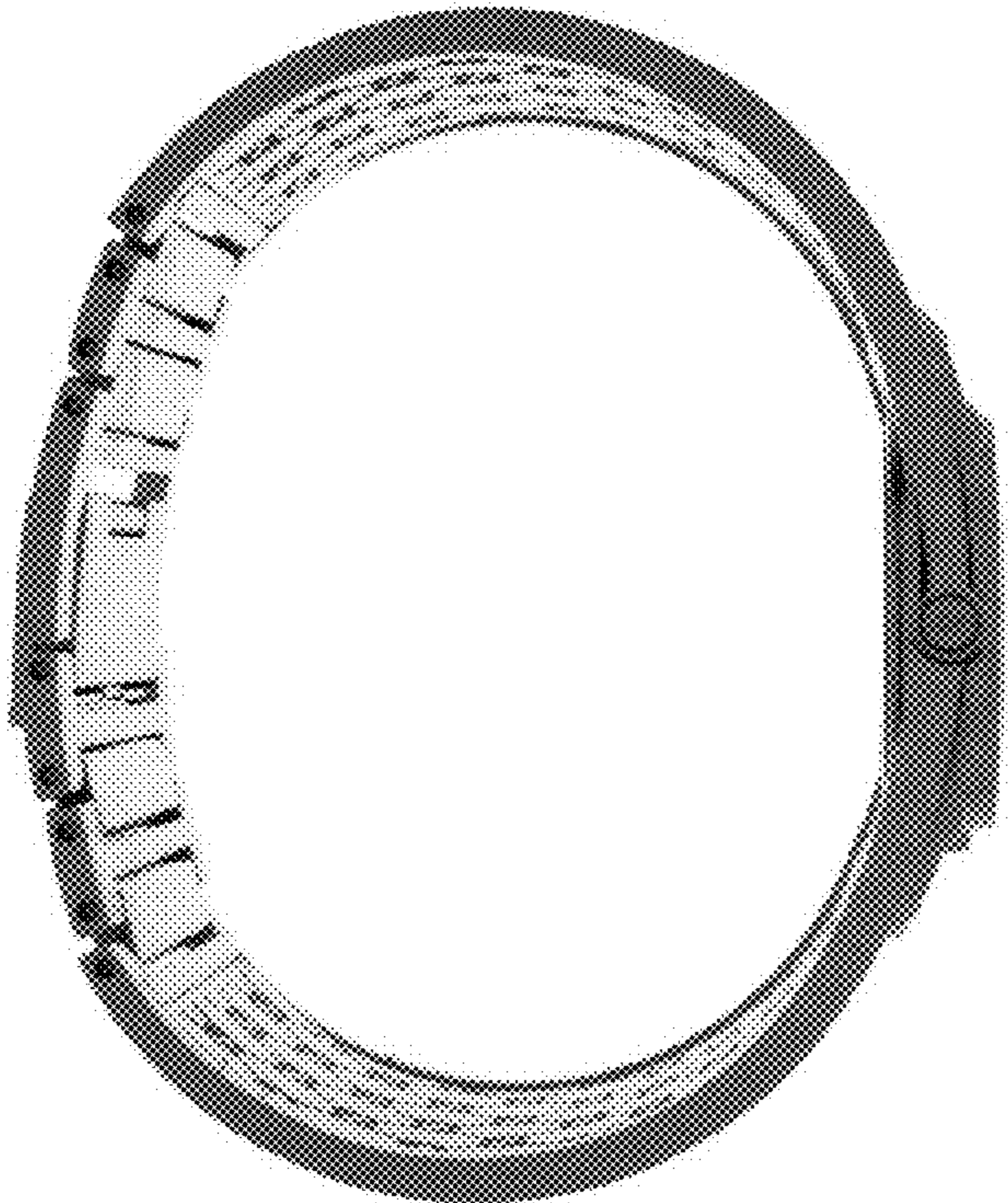


FIG. 7

