



US00D551092S

(12) **United States Design Patent**  
**Sakamoto**

(10) **Patent No.:** **US D551,092 S**

(45) **Date of Patent:** **\*\* Sep. 18, 2007**

(54) **HUB CLOCK**

(75) Inventor: **Toshiaki Sakamoto**, Funabashi (JP)

(73) Assignee: **Hiromori International Limited**,  
Kowloon (HK)

(\*\*) Term: **14 Years**

(21) Appl. No.: **29/241,408**

(22) Filed: **Oct. 26, 2005**

(30) **Foreign Application Priority Data**

Apr. 27, 2005 (HK) ..... 0500956.2M002

(51) **LOC (8) Cl.** ..... **10-01**

(52) **U.S. Cl.** ..... **D10/1**

(58) **Field of Classification Search** ..... D10/1-27,  
D10/123, 126; 368/10, 179-183, 239-242,  
368/228, 232, 316, 317, 276

See application file for complete search history.

(56) **References Cited**

**U.S. PATENT DOCUMENTS**

D250,763 S \* 1/1979 Boldt et al. .... D14/171

D475,985 S \* 6/2003 Huang et al. .... D14/130

D489,995 S \* 5/2004 Wu ..... D10/15

2006/0066753 A1\* 3/2006 Gennetten et al. .... 348/375

\* cited by examiner

*Primary Examiner*—Cathron C. Brooks

*Assistant Examiner*—George D. Kirschbaum

(74) *Attorney, Agent, or Firm*—Intellectual Property Law  
Group LLP; Otto O. Lee; Juneko Jackson

(57) **CLAIM**

The ornamental design for a hub clock, as shown and  
described.

**DESCRIPTION**

FIG. 1 is a perspective view of a hub clock embodying my  
design;

FIG. 2 is a top plan view thereof;

FIG. 3 is a bottom plan view thereof;

FIG. 4 is a front elevational view thereof;

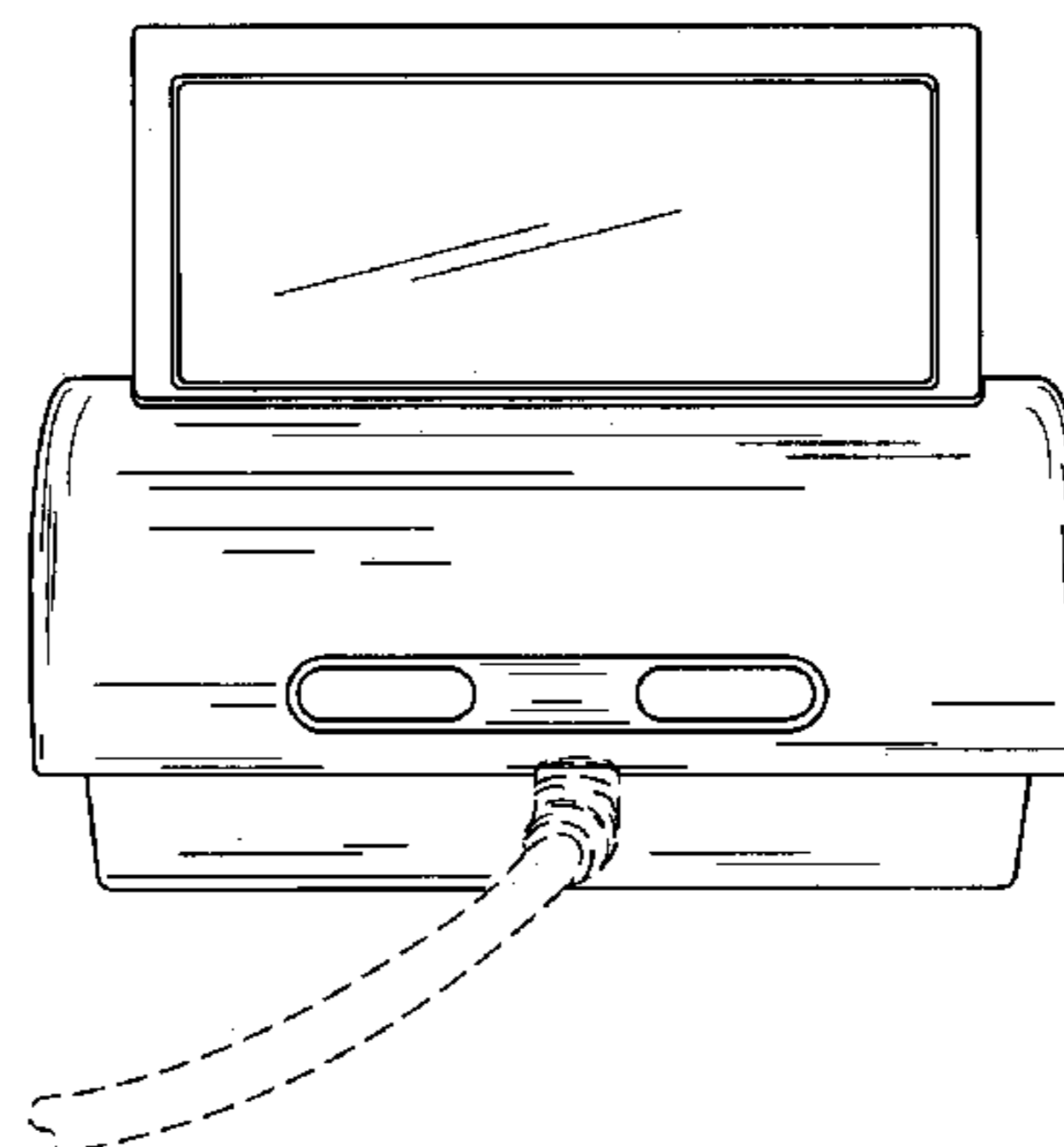
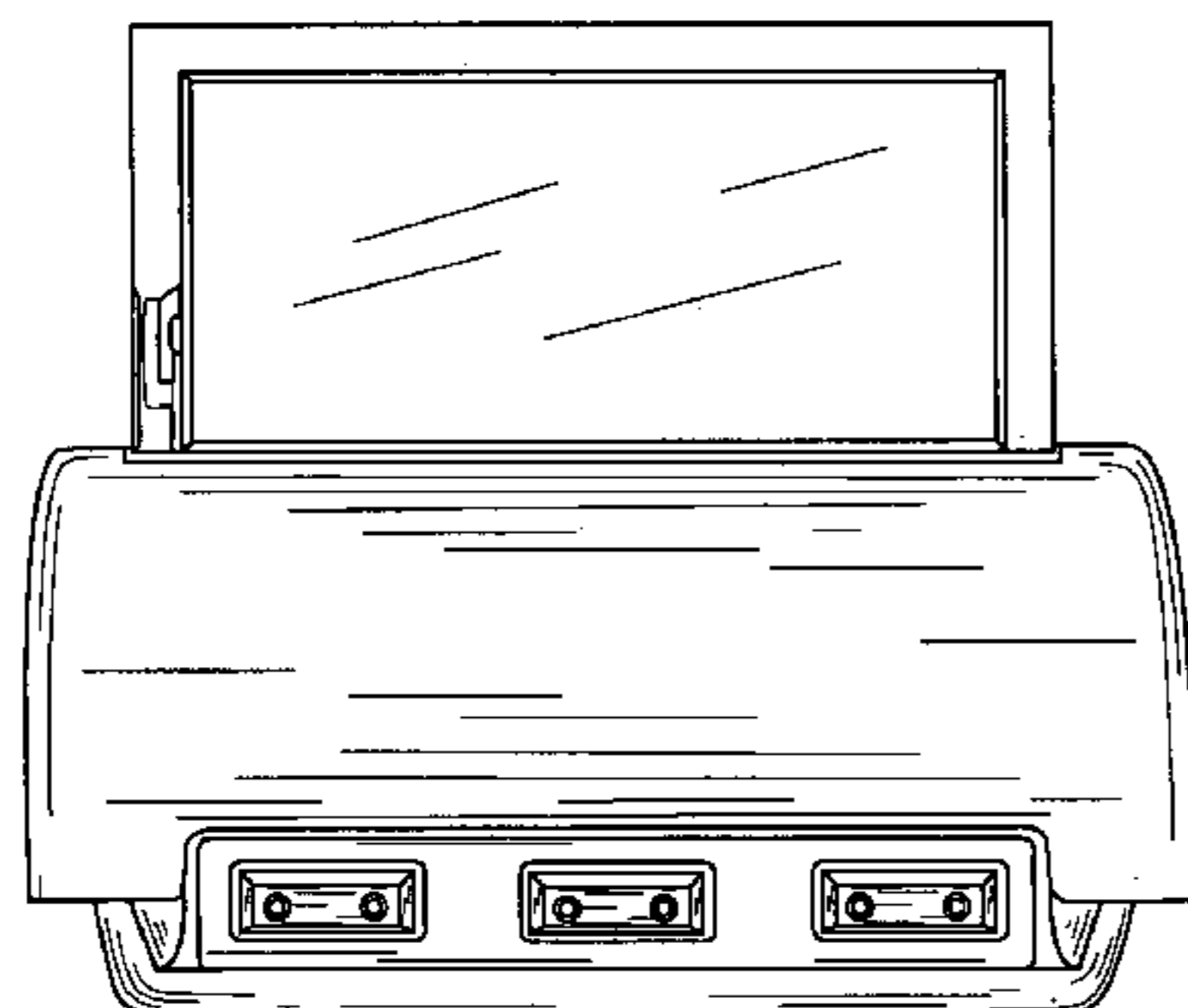
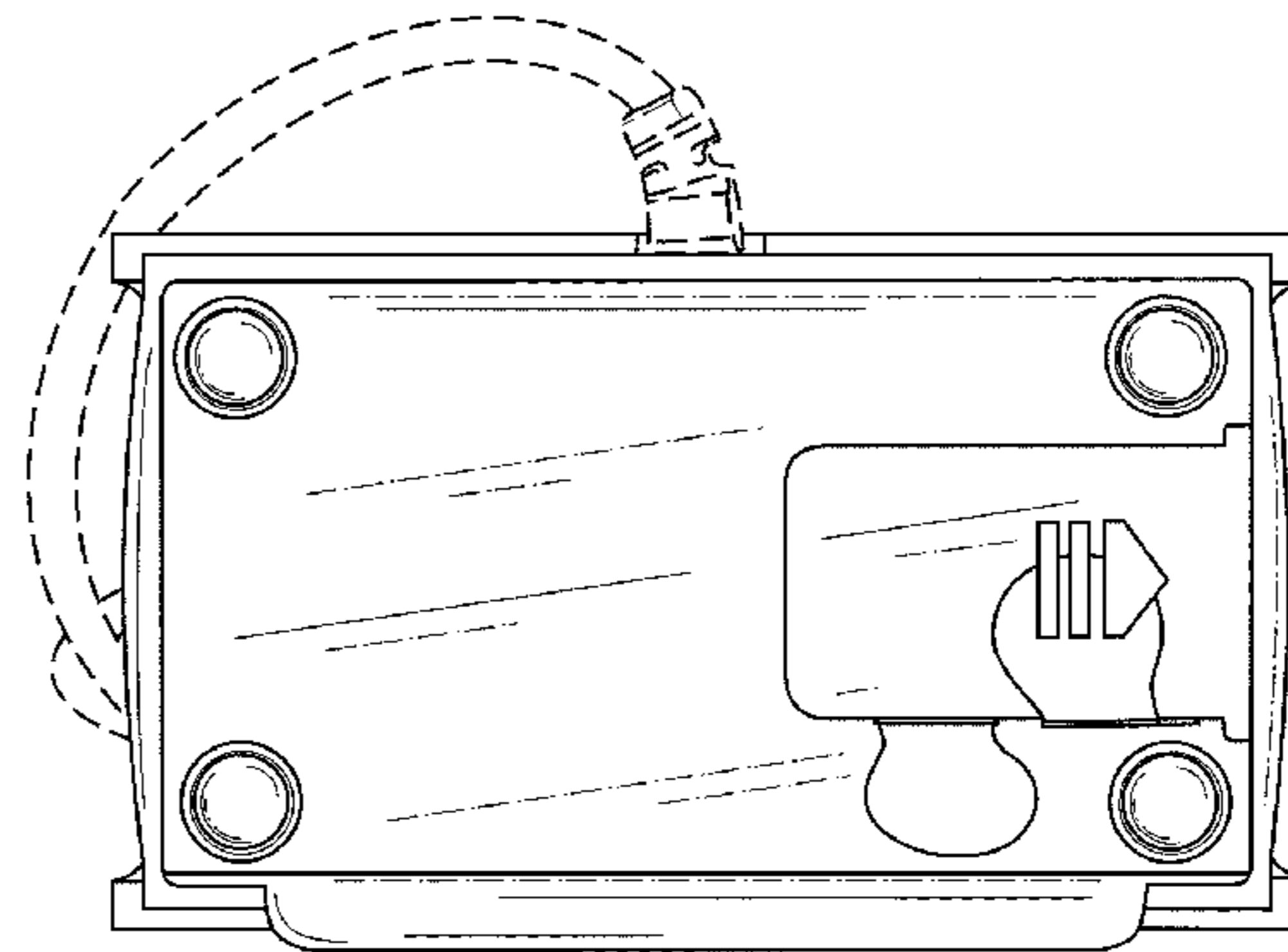
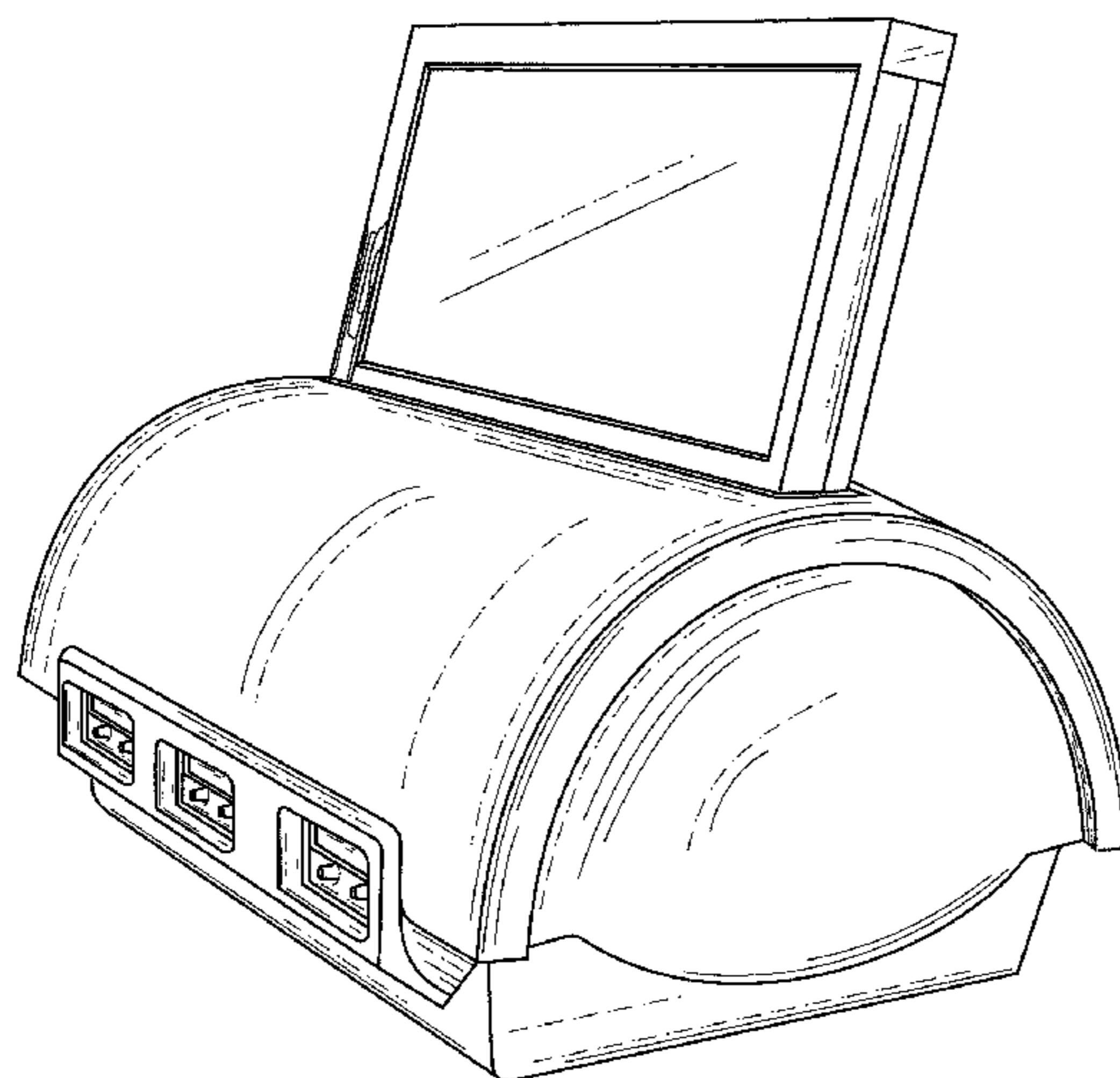
FIG. 5 is a rear elevational view thereof;

FIG. 6 is a right side elevational view thereof; and,

FIG. 7 is a left side elevational view thereof.

The broken line disclosure is understood to be for illustrative  
purposes only and forms no part of the claimed design.

**1 Claim, 4 Drawing Sheets**



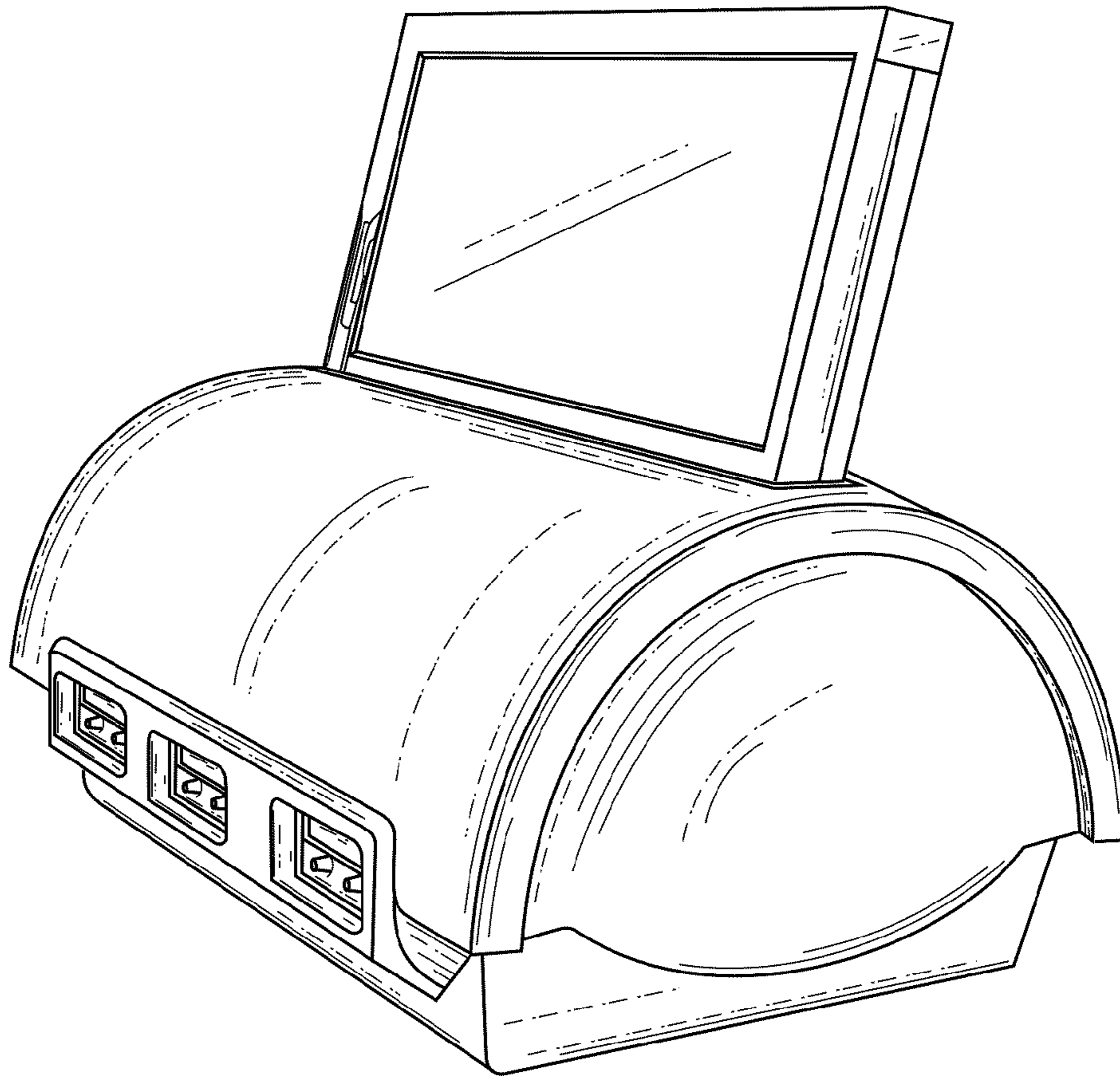


FIG. 1

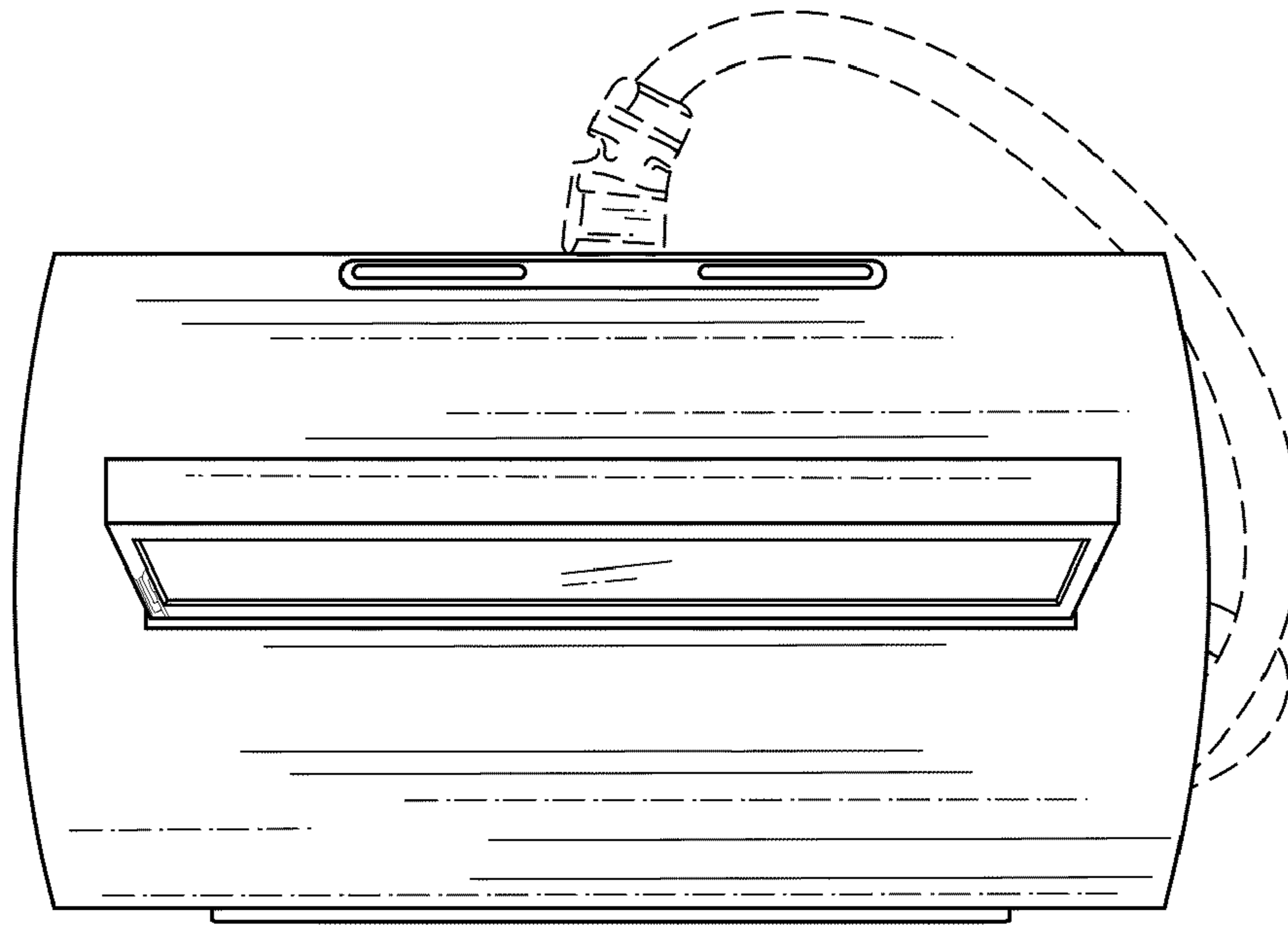


FIG. 2

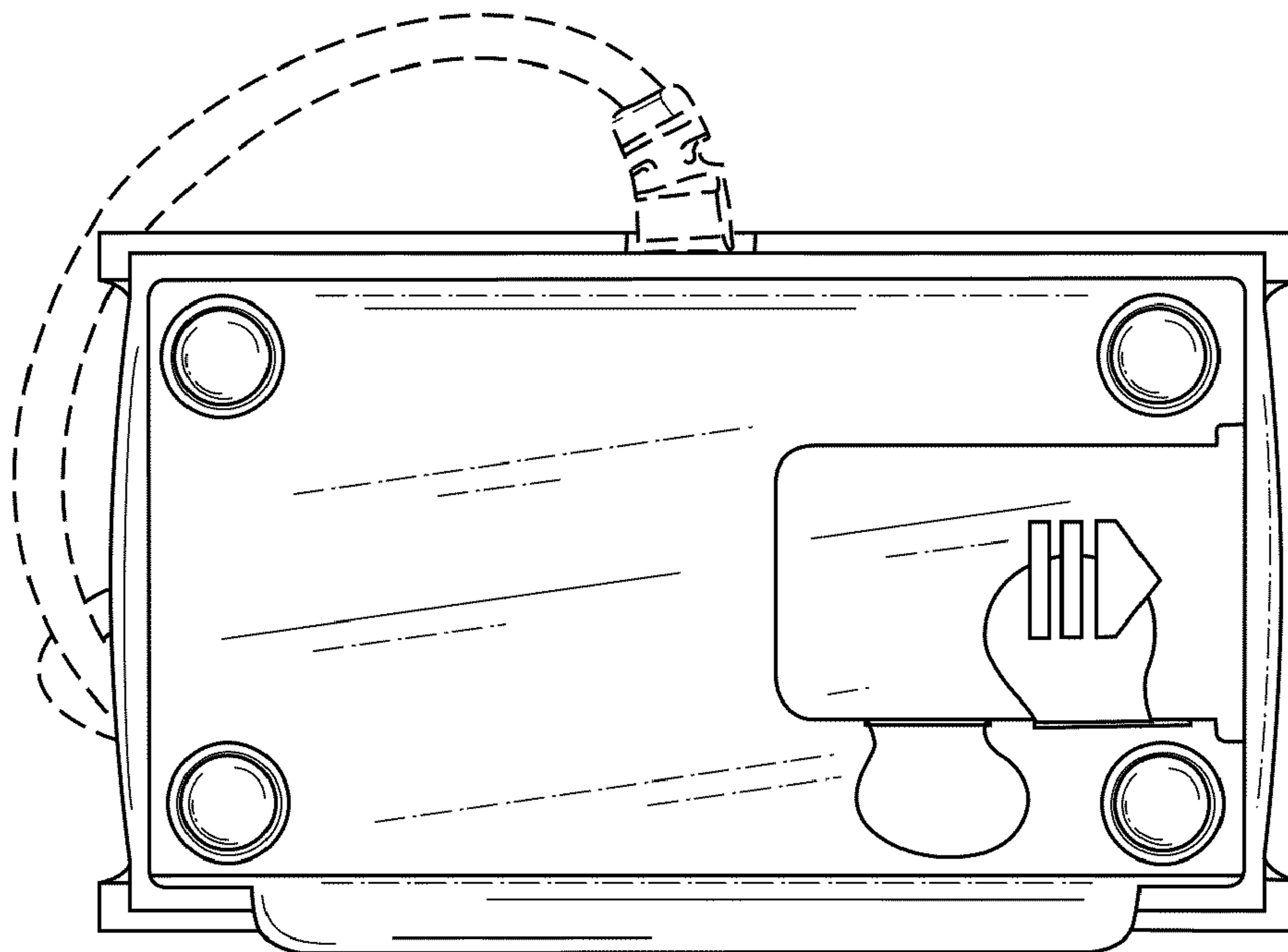


FIG. 3

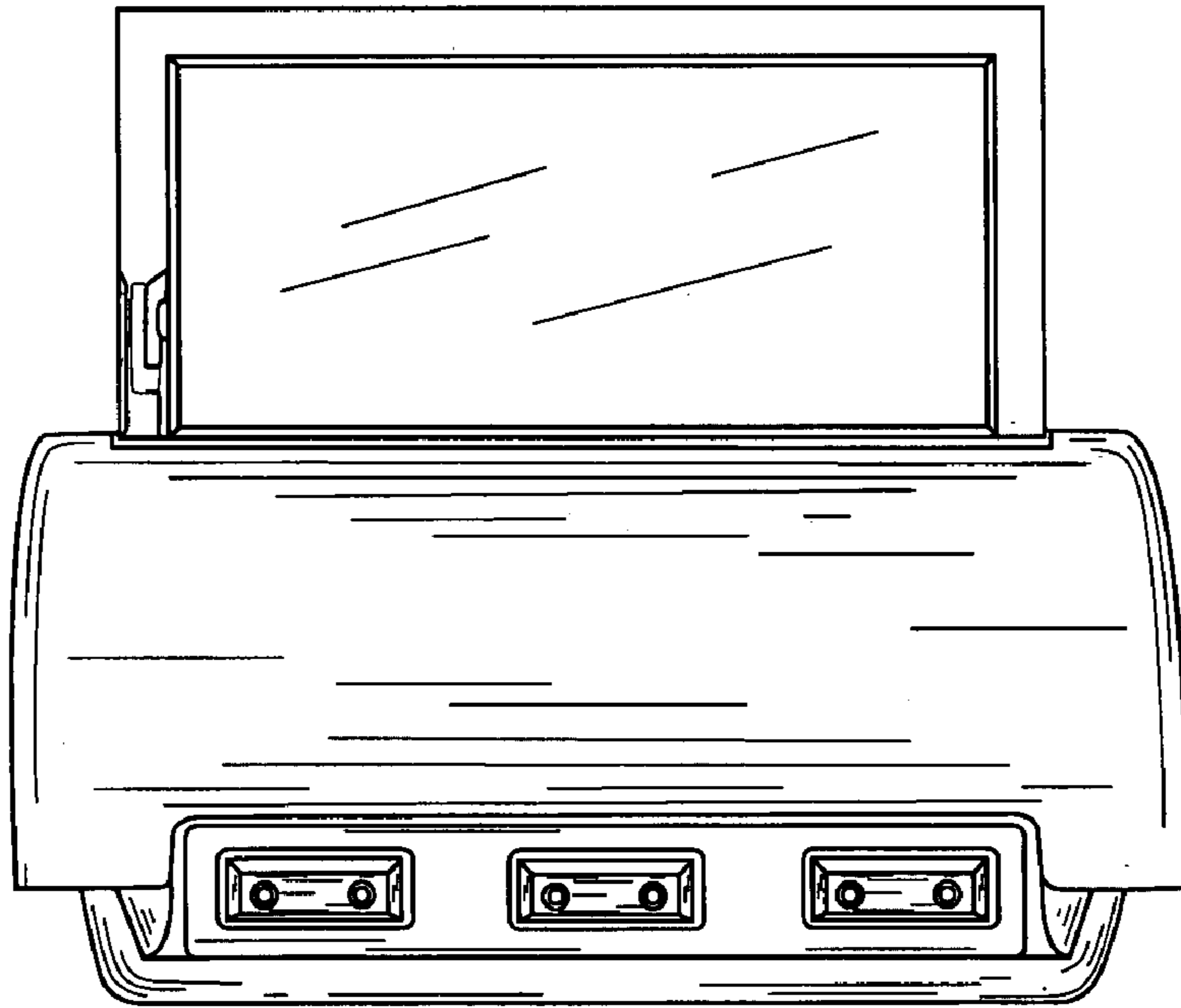


FIG. 4

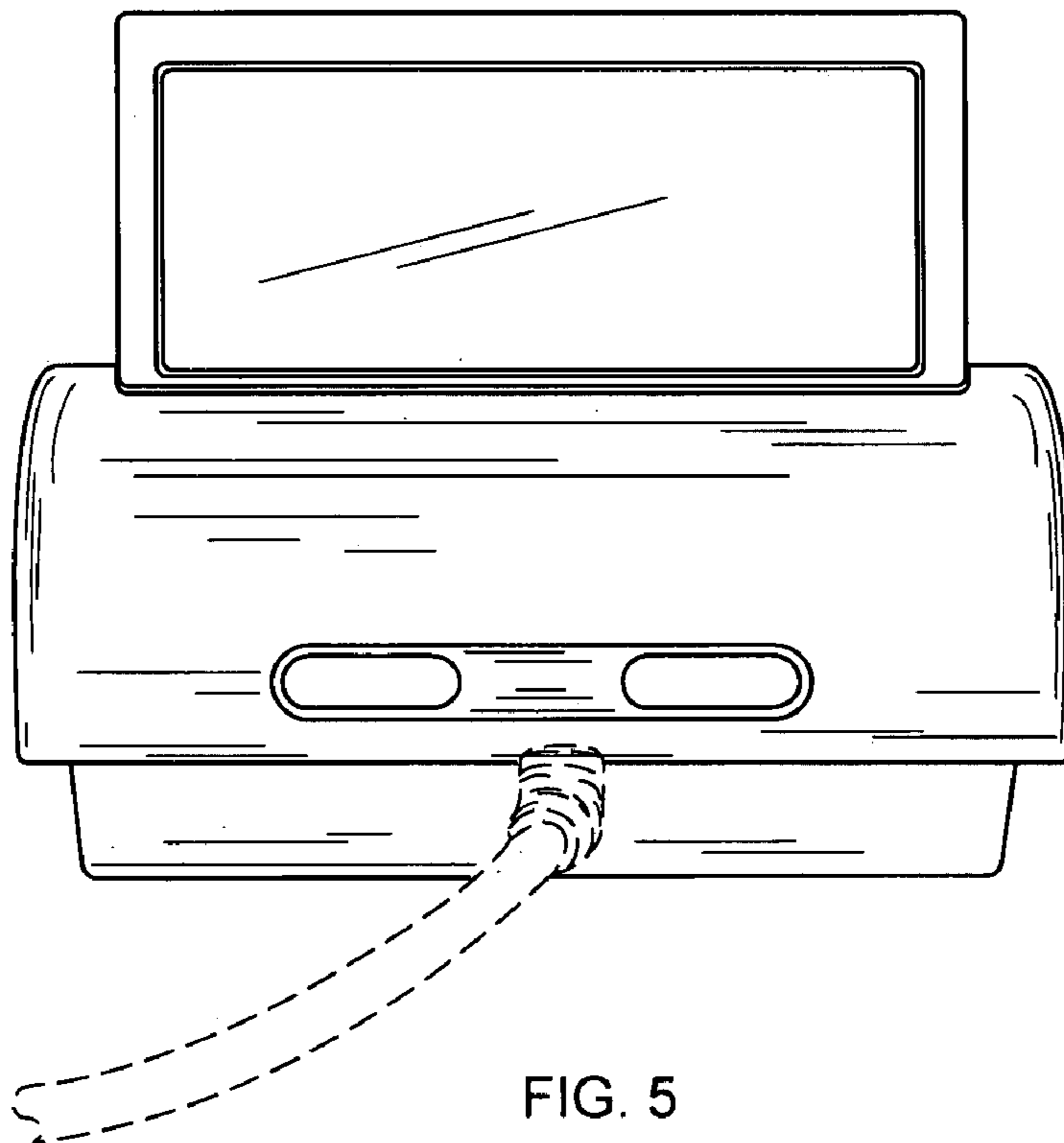


FIG. 5

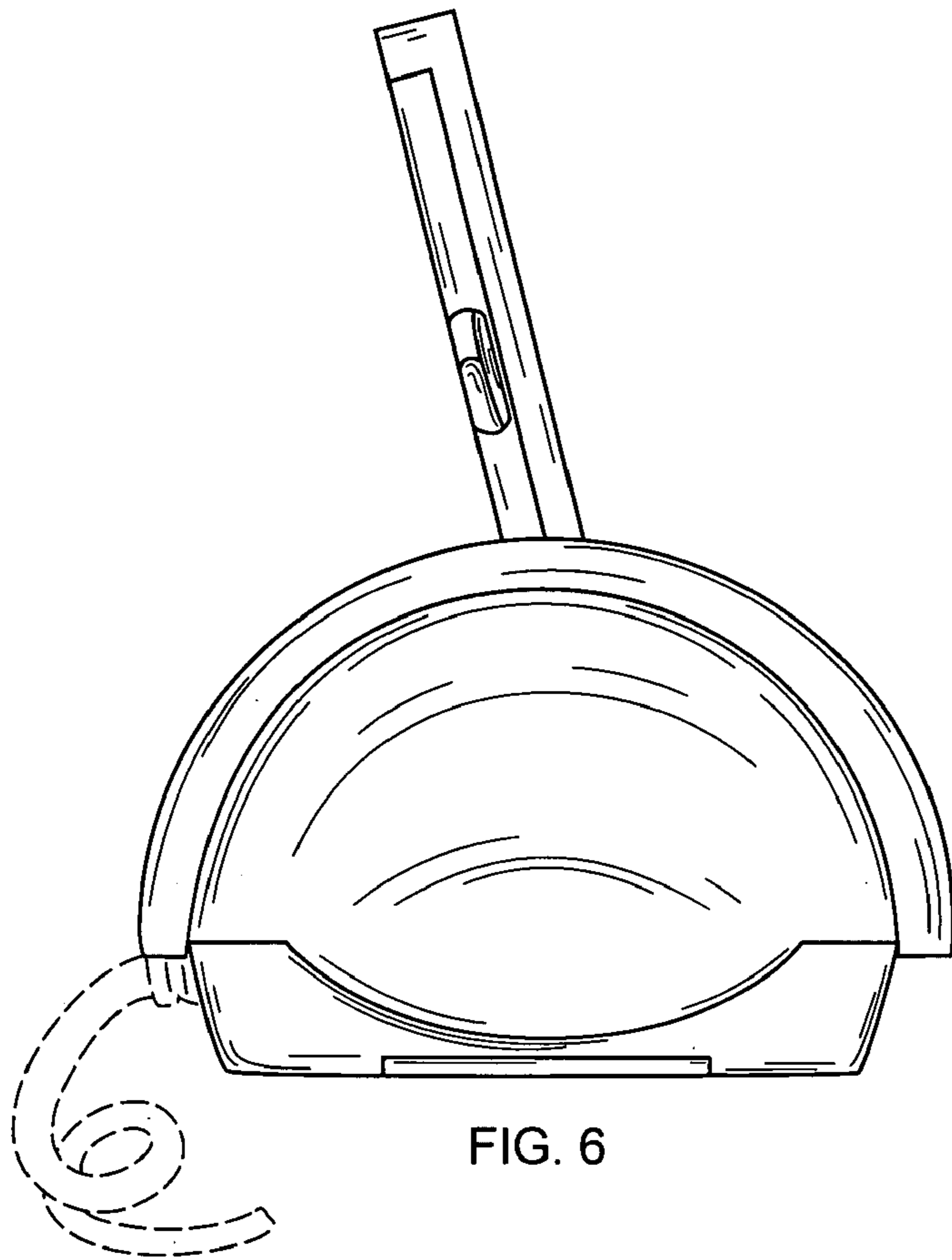


FIG. 6

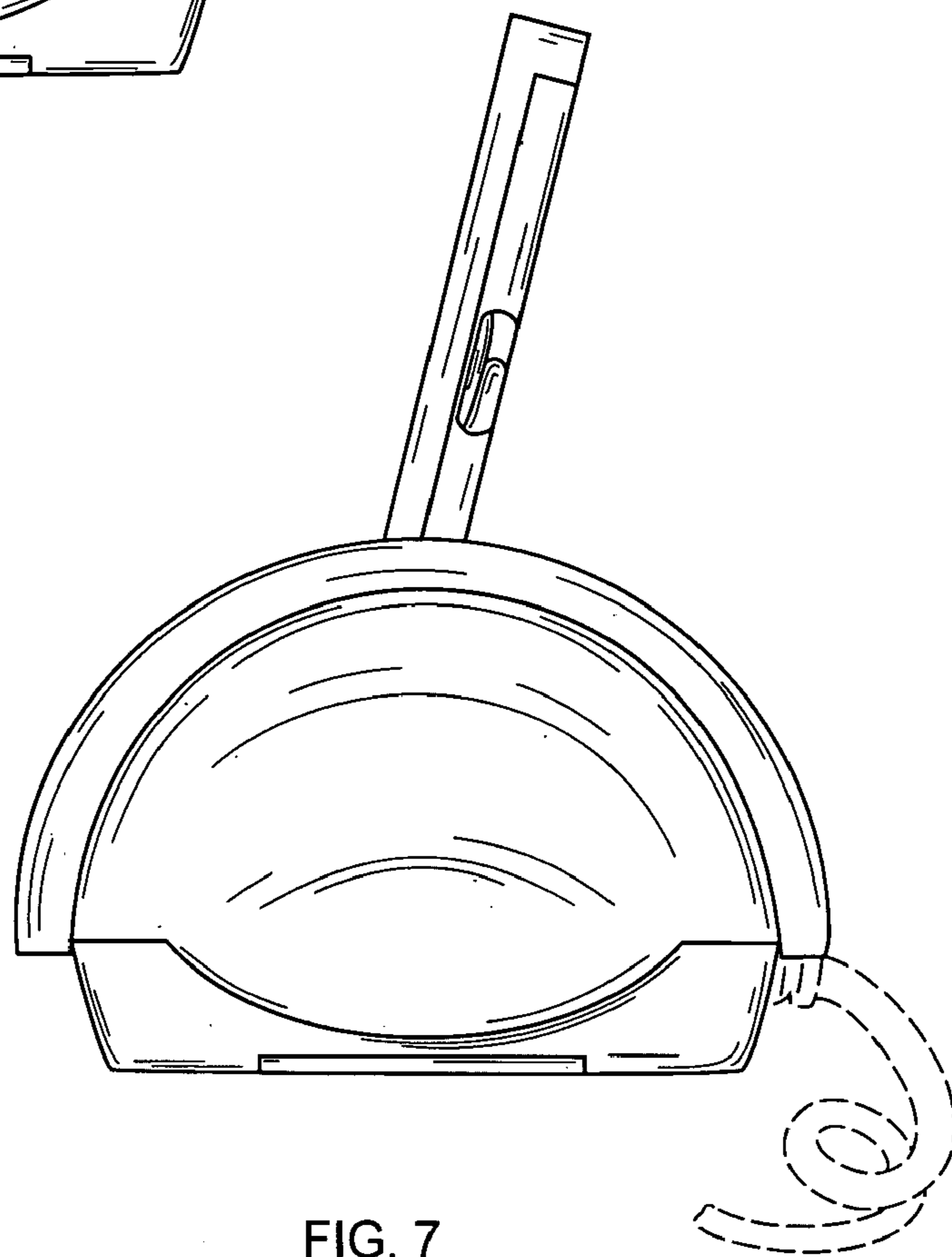


FIG. 7