



US00D551087S

(12) **United States Design Patent**
Snell

(10) **Patent No.:** **US D551,087 S**

(45) **Date of Patent:** **** Sep. 18, 2007**

(54) **SOAP PUMP**

D480,643 S 10/2003 Dretzka
D484,039 S 12/2003 Dretzka
D488,716 S 4/2004 Dretzka

(75) Inventor: **Russell Benton Snell**, Bentleyville, OH
(US)

* cited by examiner

(73) Assignee: **InterDesign, Inc.**, Solon, OH (US)

Primary Examiner—Stella Reid
Assistant Examiner—Rashida C. McCoy

(**) Term: **14 Years**

(74) *Attorney, Agent, or Firm*—D. Peter Hochberg; Sean Mellino

(21) Appl. No.: **29/218,725**

(22) Filed: **Dec. 7, 2004**

(57) **CLAIM**

(51) **LOC (8) Cl.** **09-01**

The ornamental design for a soap pump, as shown and described.

(52) **U.S. Cl.** **D9/690**

(58) **Field of Classification Search** D9/690,
D9/448, 542, 560, 563, 573–575, 682, 687;
D6/542–545; 222/173

DESCRIPTION

See application file for complete search history.

FIG. 1 is a perspective view of the soap pump according to the invention;

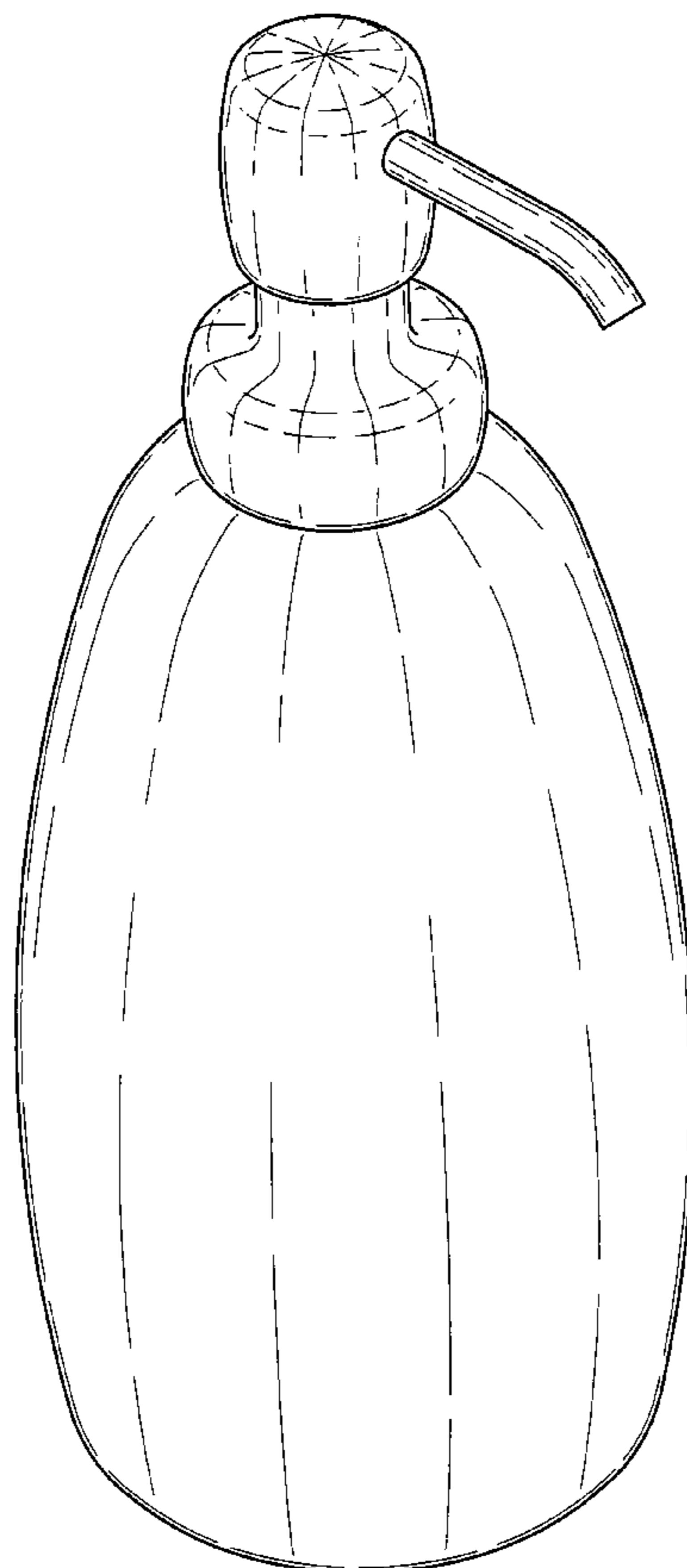
(56) **References Cited**

U.S. PATENT DOCUMENTS

D213,355 S * 2/1969 Kneapler D9/558
D353,771 S * 12/1994 Klitsner D9/500
D400,783 S * 11/1998 de Mourgues D9/691
D416,154 S * 11/1999 Diehl D6/542
D477,990 S 8/2003 Dretzka
D477,991 S 8/2003 Dretzka
D480,642 S * 10/2003 Dretzka D9/448

FIG. 2 is a top view of the soap pump as shown in FIG. 1;
FIG. 3 is a front view of the soap pump as shown in FIG. 1;
FIG. 4 is a side view of the soap pump as shown in FIG. 1;
FIG. 5 is a side view of the soap pump as shown in FIG. 1,
shown from the opposite side as that shown in FIG. 4;
FIG. 6 is a rear view of the soap pump as shown in FIG. 1;
and,
FIG. 7 is a bottom view of the soap pump as shown in FIG. 1.

1 Claim, 3 Drawing Sheets



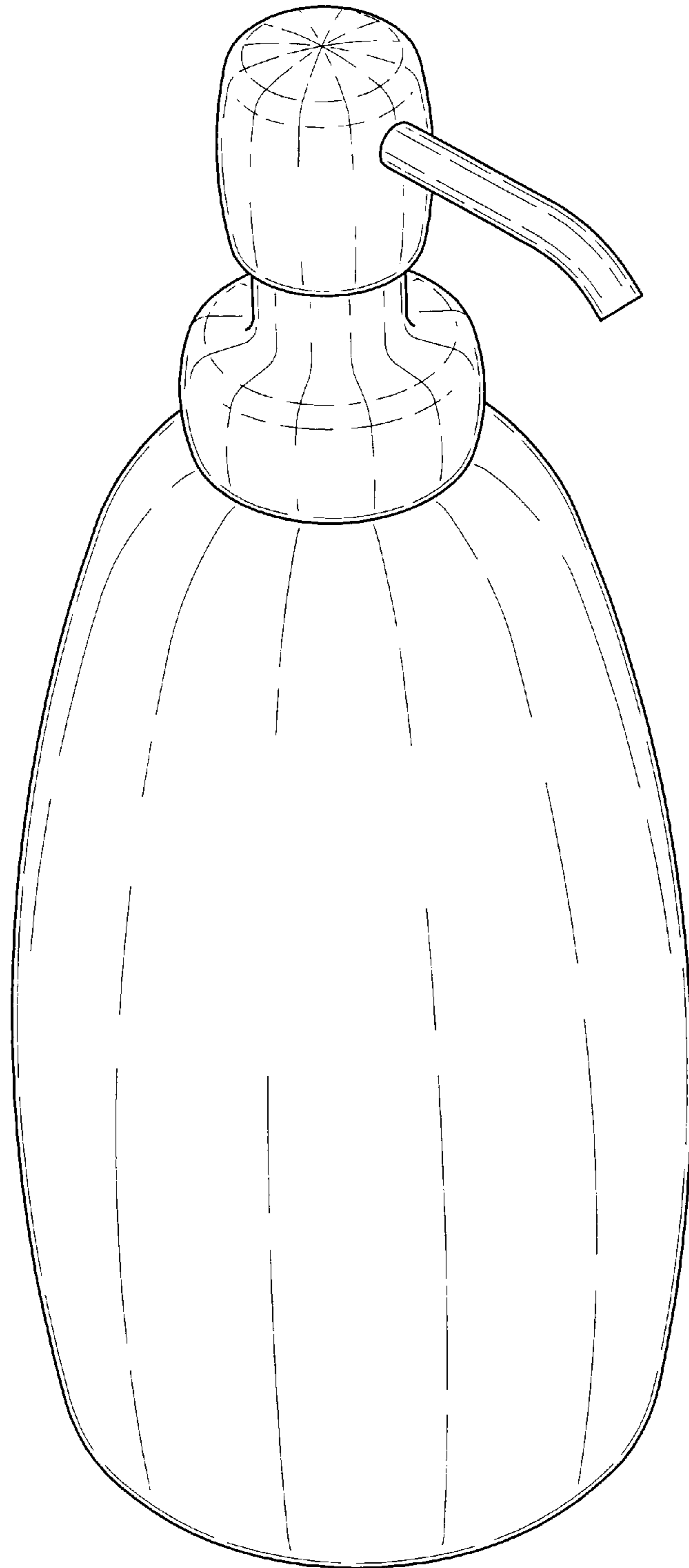


FIG-1

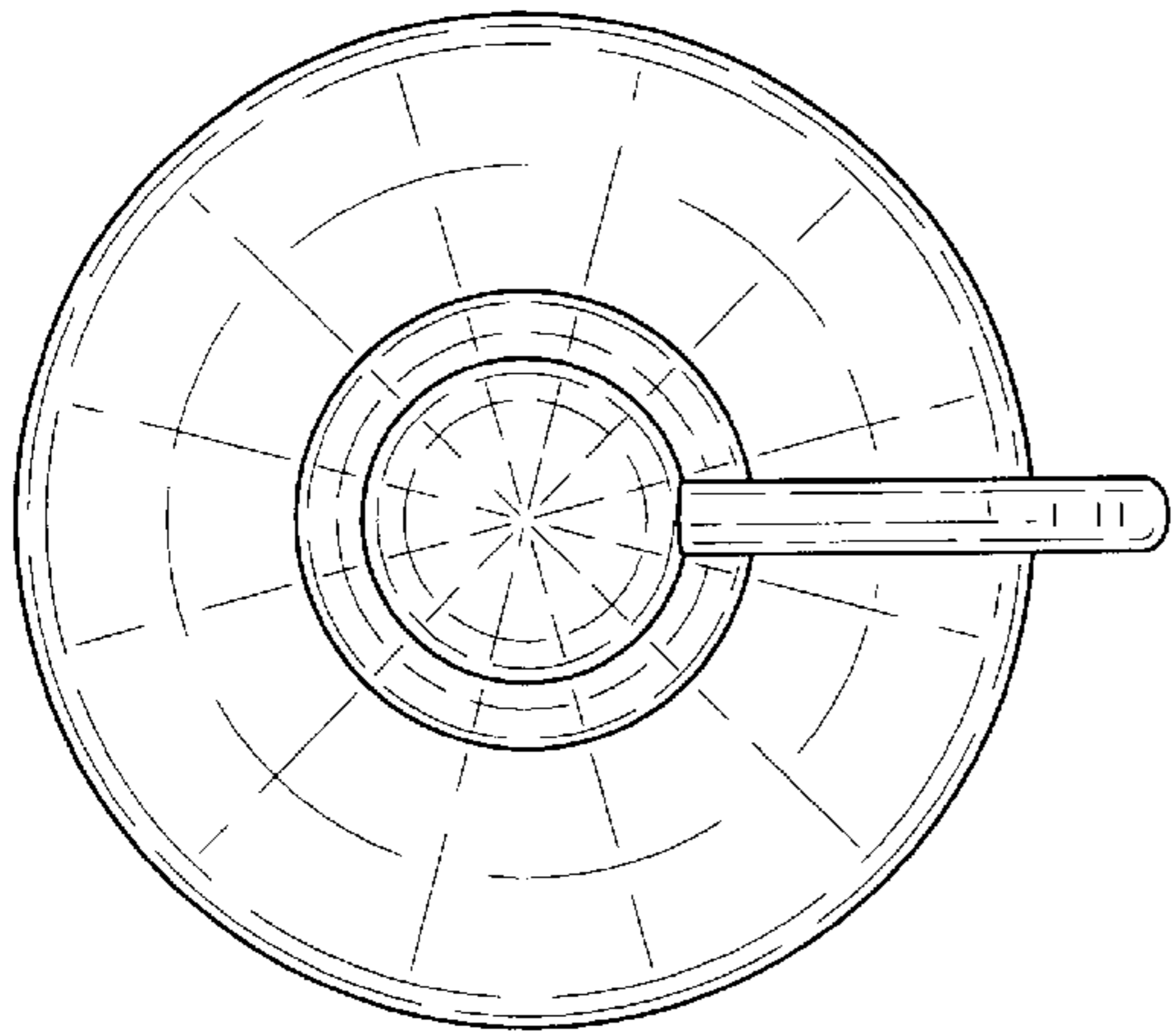


FIG-2

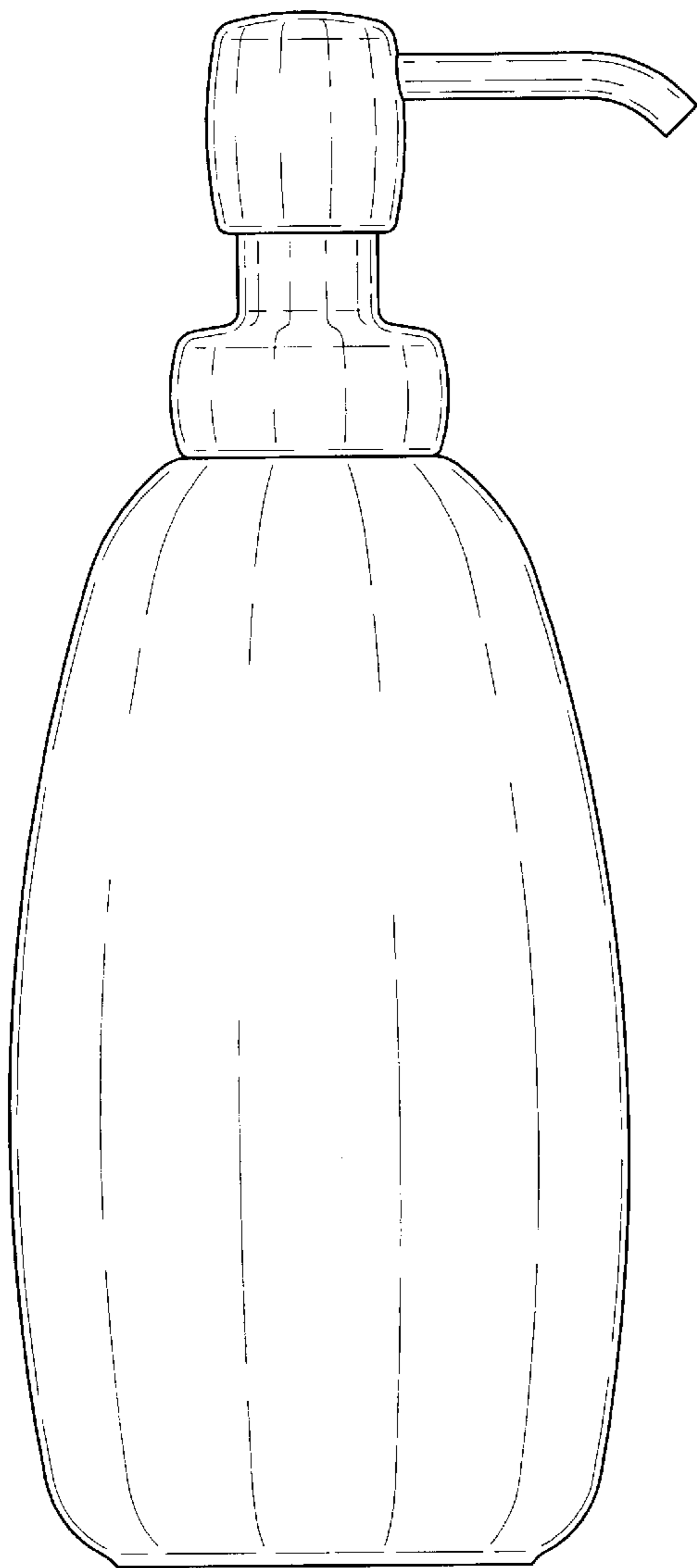


FIG-3

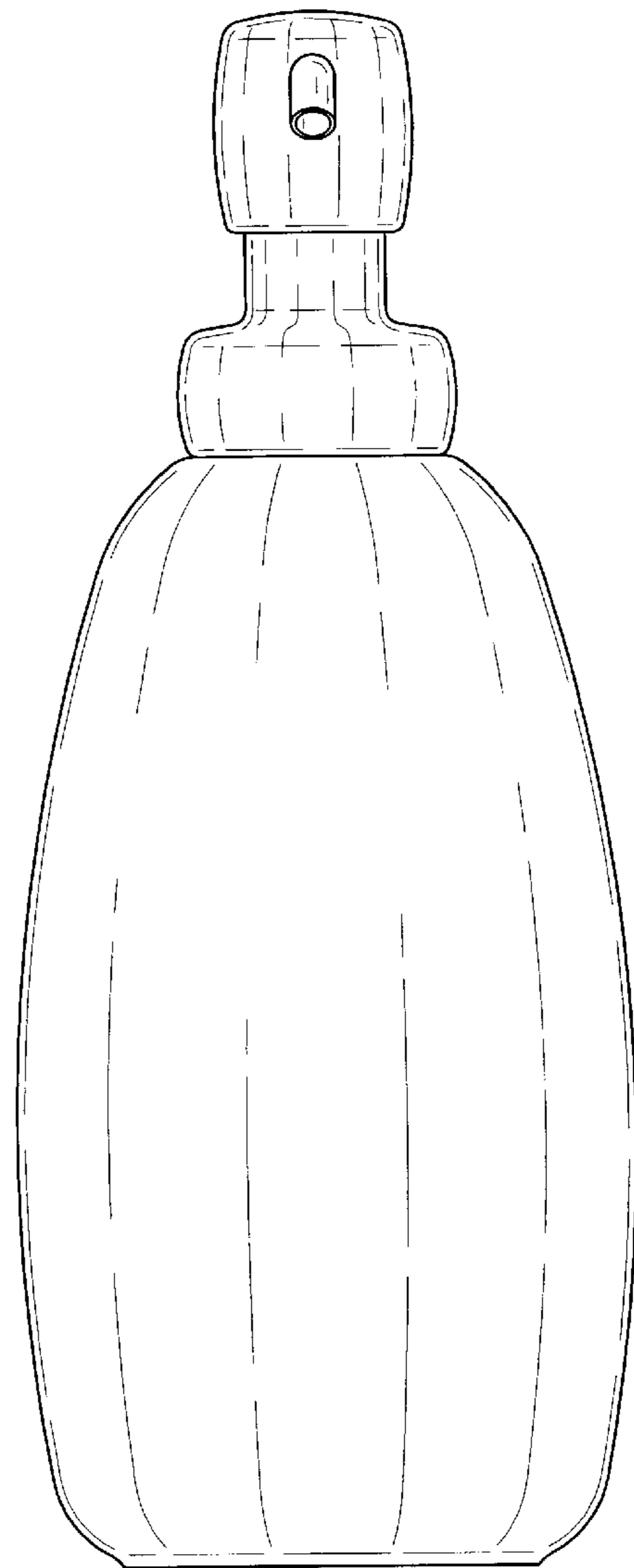


FIG-4

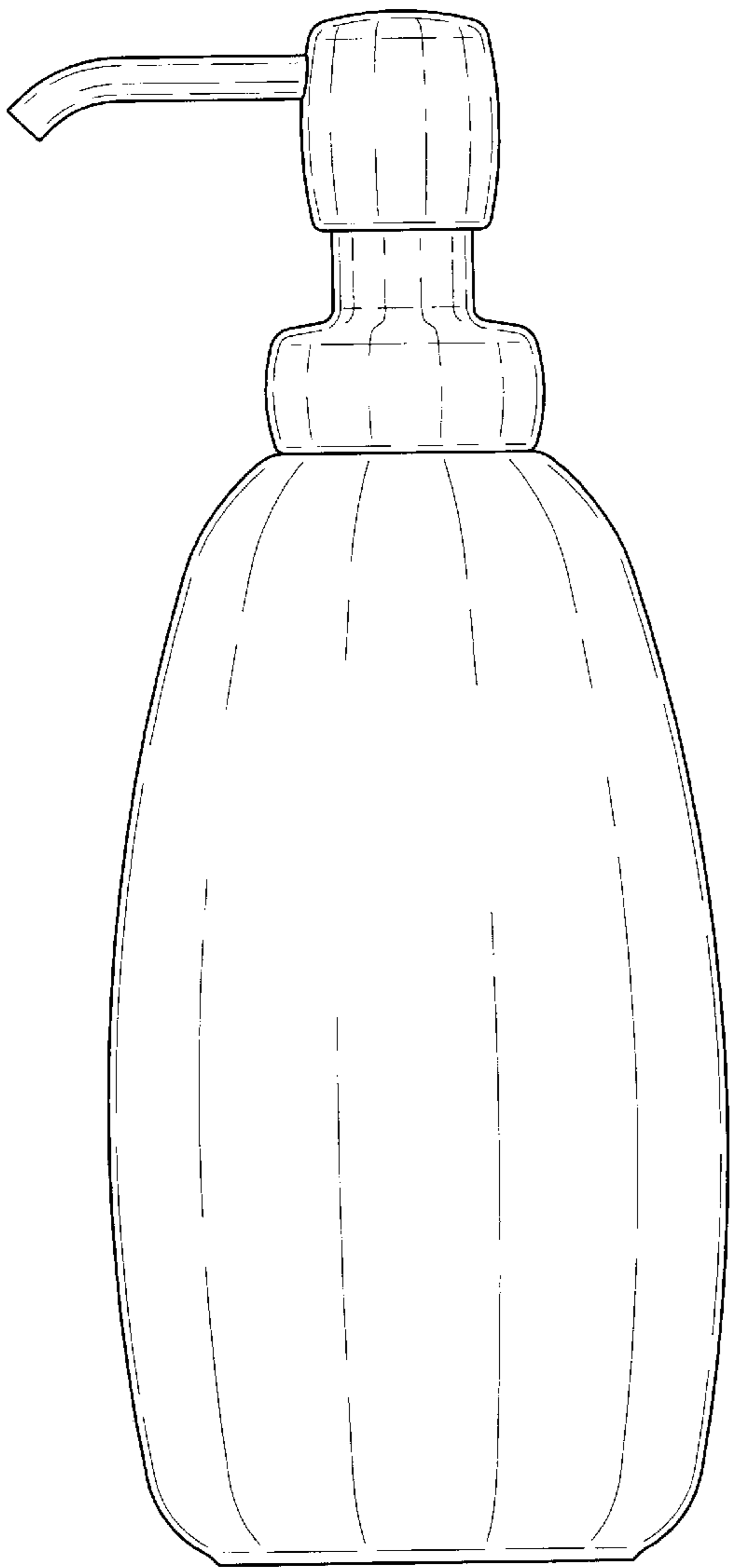


FIG-5

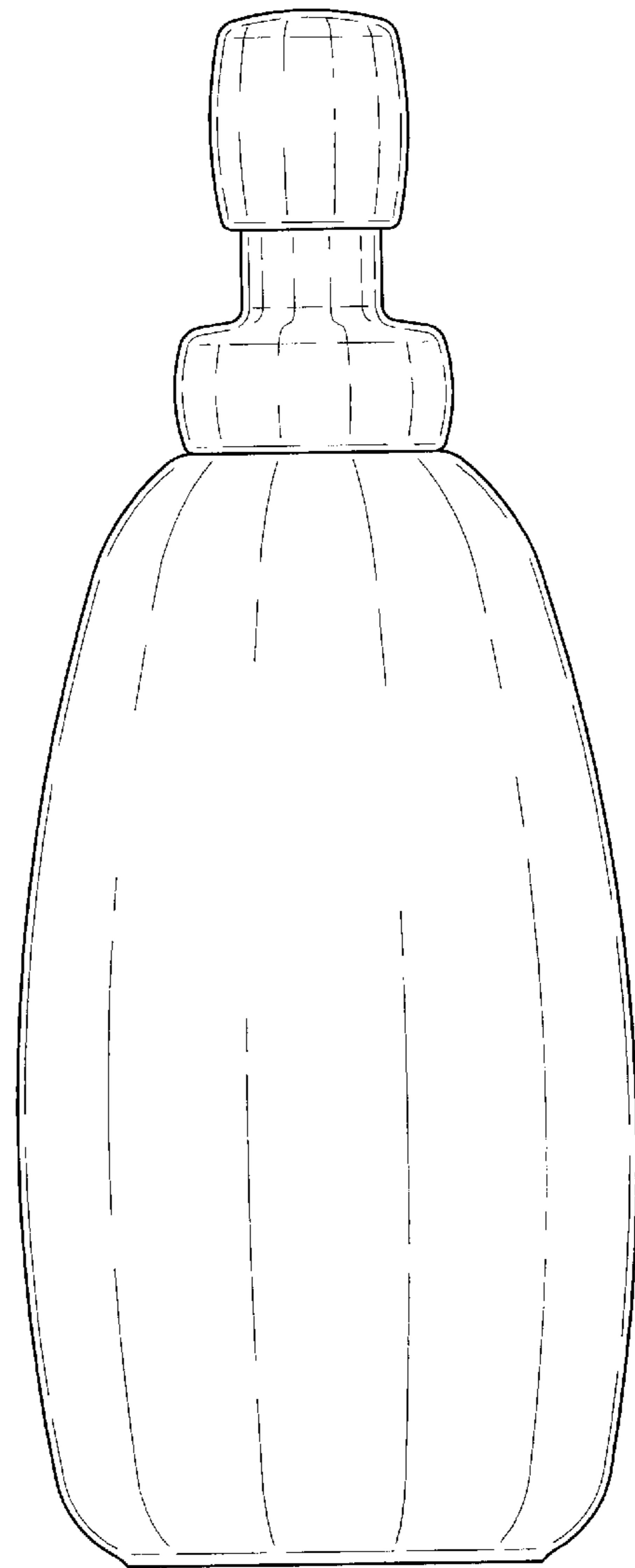


FIG-6

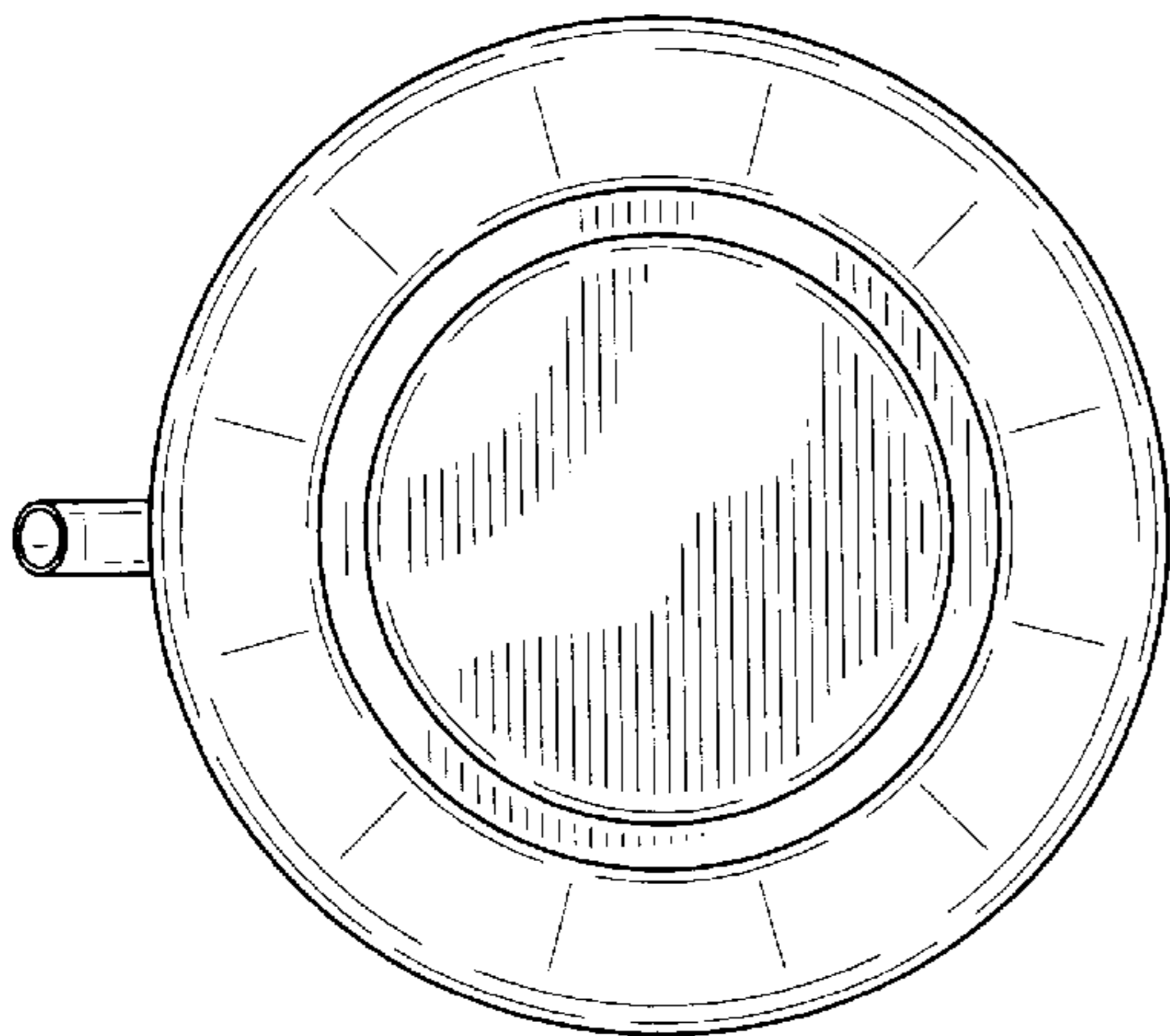


FIG-7