



US00D551085S

(12) **United States Design Patent**
Feen

(10) **Patent No.:** **US D551,085 S**

(45) **Date of Patent:** **** Sep. 18, 2007**

(54) **BOTTLE**

(75) Inventor: **Stuart Feen**, Grayslake, IL (US)

(73) Assignee: **Plastic Bottle Corporation**,
Libertyville, IL (US)

(**) Term: **14 Years**

(21) Appl. No.: **29/285,044**

(22) Filed: **Mar. 20, 2007**

(51) **LOC (8) Cl.** **09-01**

(52) **U.S. Cl.** **D9/563; D9/570; D9/571**

(58) **Field of Classification Search** D9/682-694,
D9/502, 516, 520, 522-528, 530-531, 538-539,
D9/541, 546, 557, 563-564, 570-575; 215/381-385,
215/396, 398, 400

See application file for complete search history.

(56) **References Cited**

U.S. PATENT DOCUMENTS

| | | | | |
|--------------|---------|-------------|-------|----------|
| D98,426 S * | 2/1936 | Fuerst | | D9/542 |
| D166,017 S * | 2/1952 | Barq | | D9/502 |
| D180,920 S * | 9/1957 | Vuilleminot | | D9/570 X |
| D182,997 S * | 6/1958 | Fuerst | | D9/538 |
| D185,332 S * | 5/1959 | Vuilleminot | | D9/570 X |
| D186,055 S * | 9/1959 | Sterges | | D9/502 |
| D195,739 S * | 7/1963 | Worthington | | D9/541 |
| D196,148 S * | 8/1963 | Sterges | | D9/539 |
| D196,942 S * | 11/1963 | Lilling | | D9/557 X |

| | | | | |
|---------------|---------|------------------|-------|----------|
| D209,475 S * | 12/1967 | Trombly | | D9/522 |
| D221,329 S * | 8/1971 | Beaver | | D9/557 X |
| D221,621 S * | 8/1971 | Vanderhyde | | D9/557 X |
| 5,178,290 A * | 1/1993 | Ota et al. | | 215/382 |
| D348,837 S * | 7/1994 | Feen | | D9/502 |
| D447,421 S * | 9/2001 | Kipperman et al. | | D9/574 X |
| D467,809 S * | 12/2002 | Pouillot et al. | | D9/523 |
| D526,204 S * | 8/2006 | Stolle | | D9/564 X |
| D544,364 S * | 6/2007 | Archeny et al. | | D9/570 X |

* cited by examiner

Primary Examiner—Carol Rademaker

(74) *Attorney, Agent, or Firm*—Wood, Phillips, Katz, Clark & Mortimer

(57) **CLAIM**

The ornamental design for a bottle, substantially as shown and described.

DESCRIPTION

FIG. 1 is a top, front, and right side perspective view of a bottle showing my new design;

FIG. 2 is a rear elevational view thereof;

FIG. 3 is a front elevational view thereof;

FIG. 4 is a right side elevational view thereof;

FIG. 5 is a left side elevational view thereof; and,

FIG. 6 is a top plan view thereof.

1 Claim, 3 Drawing Sheets

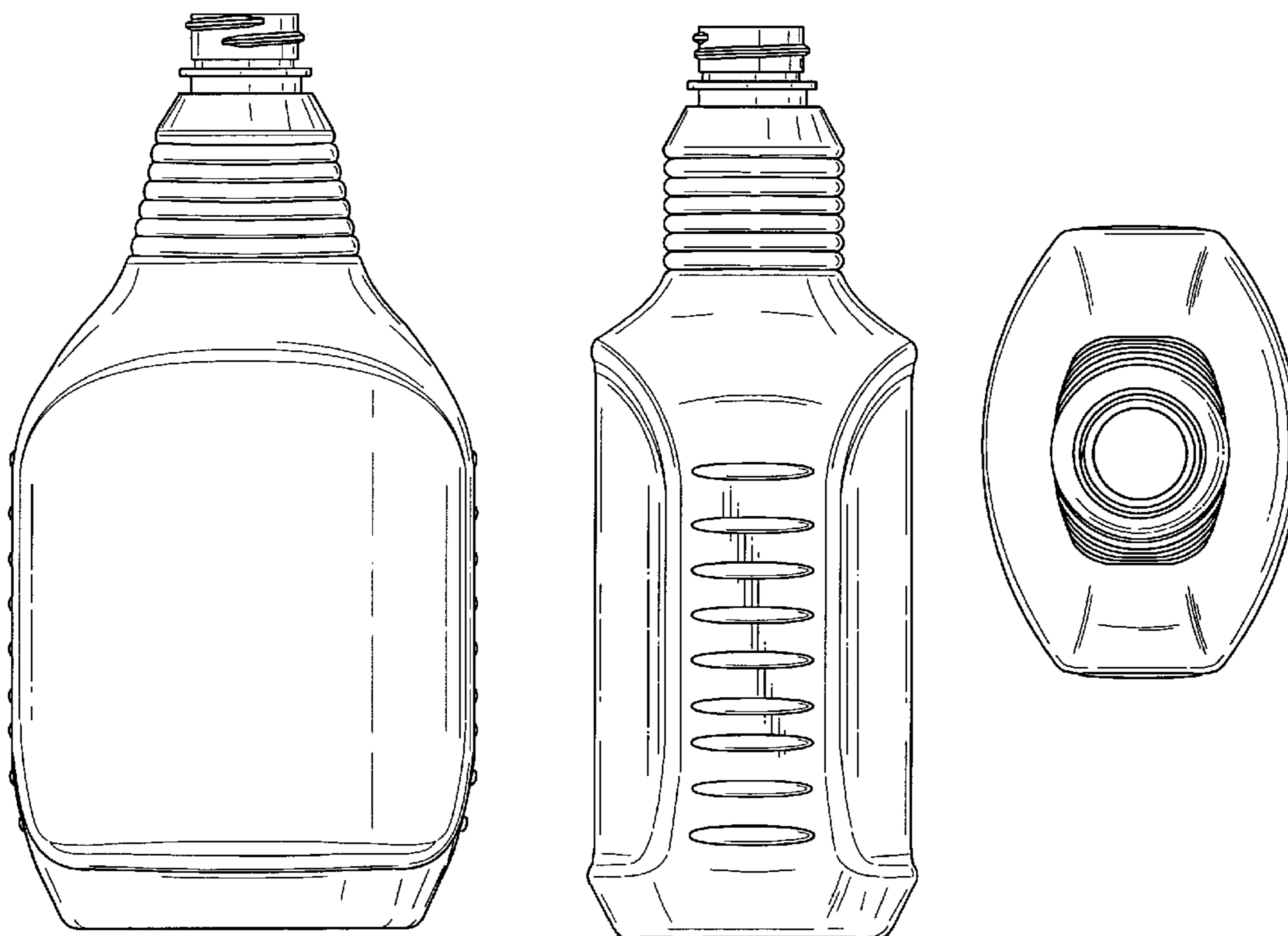


Fig. 1

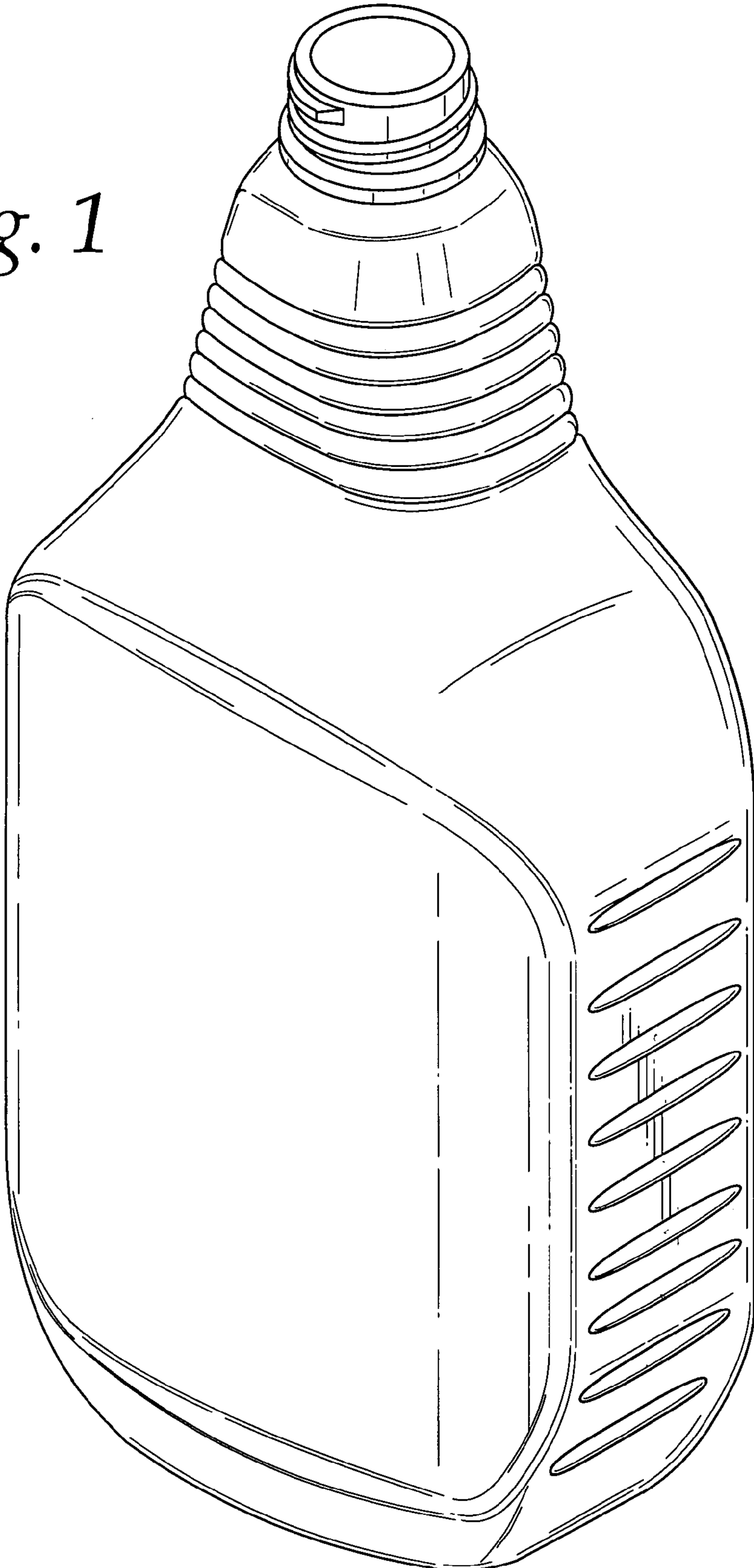


Fig. 3

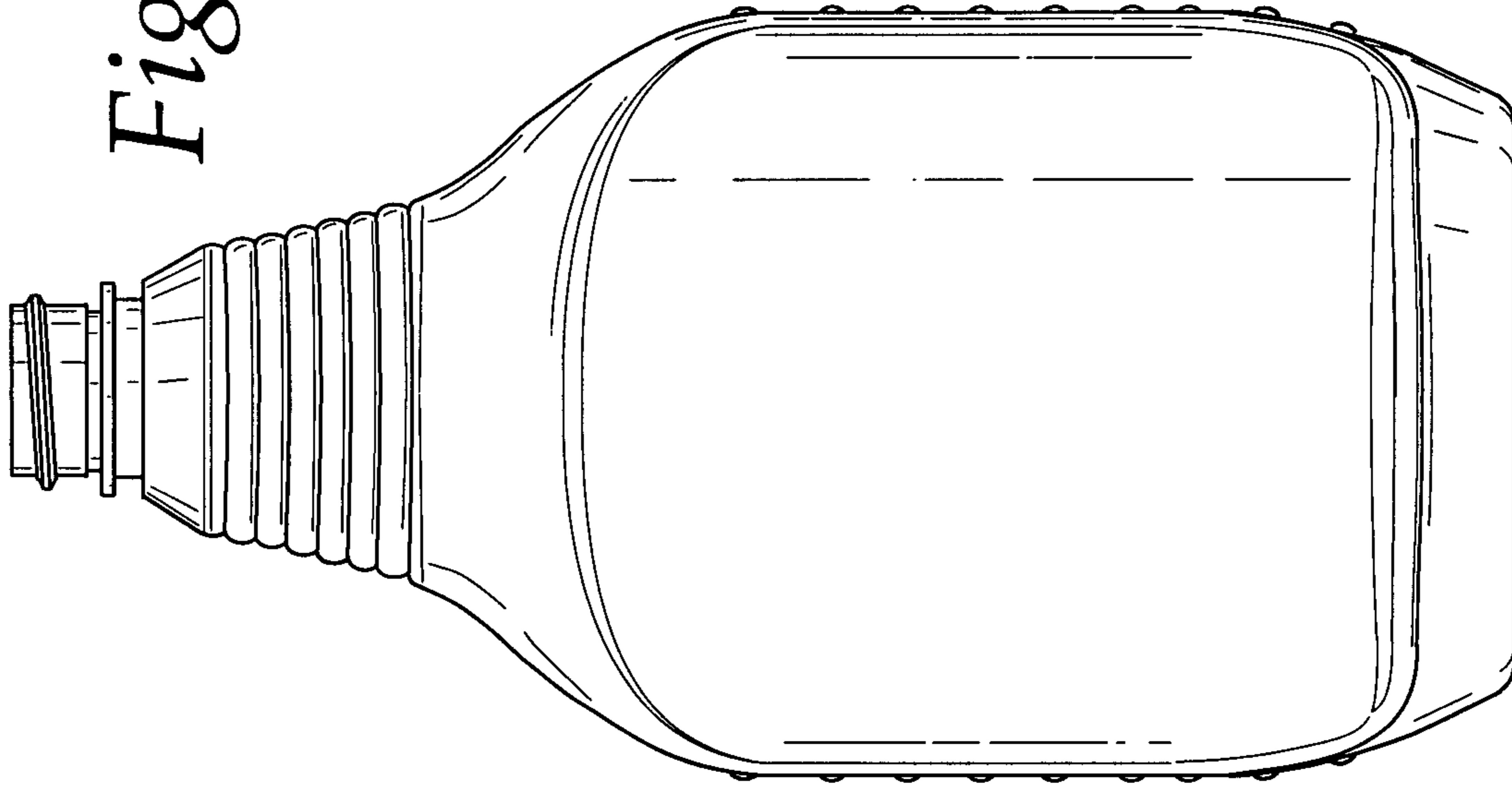
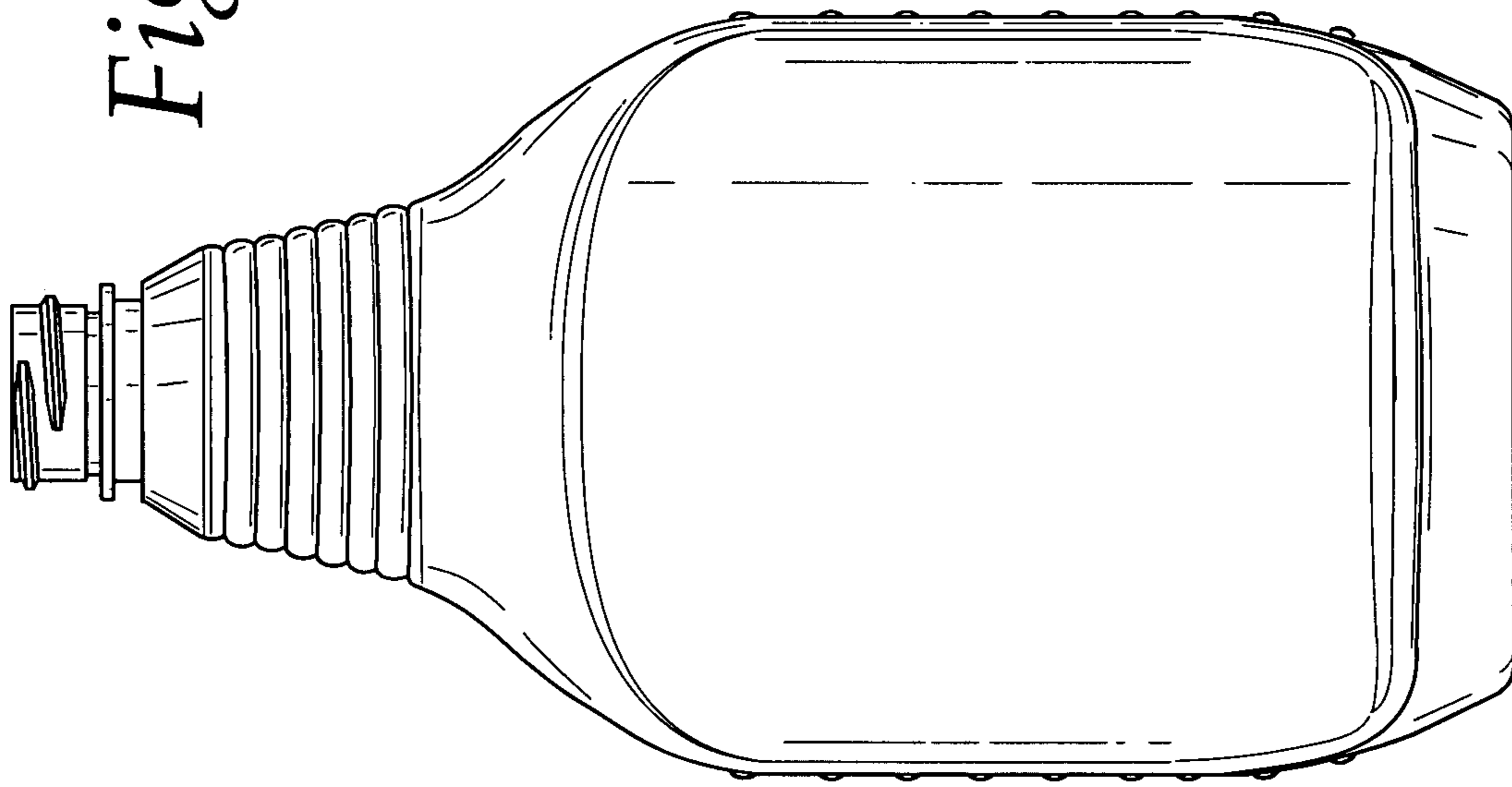


Fig. 2



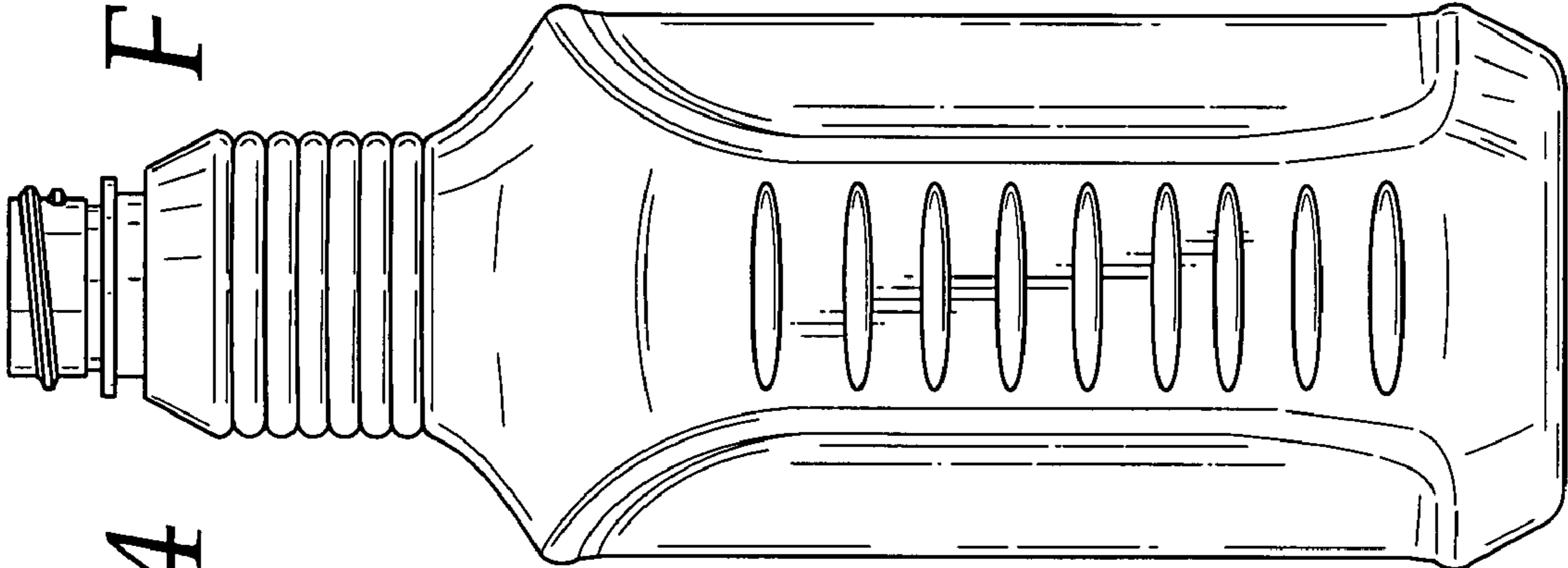


Fig. 4

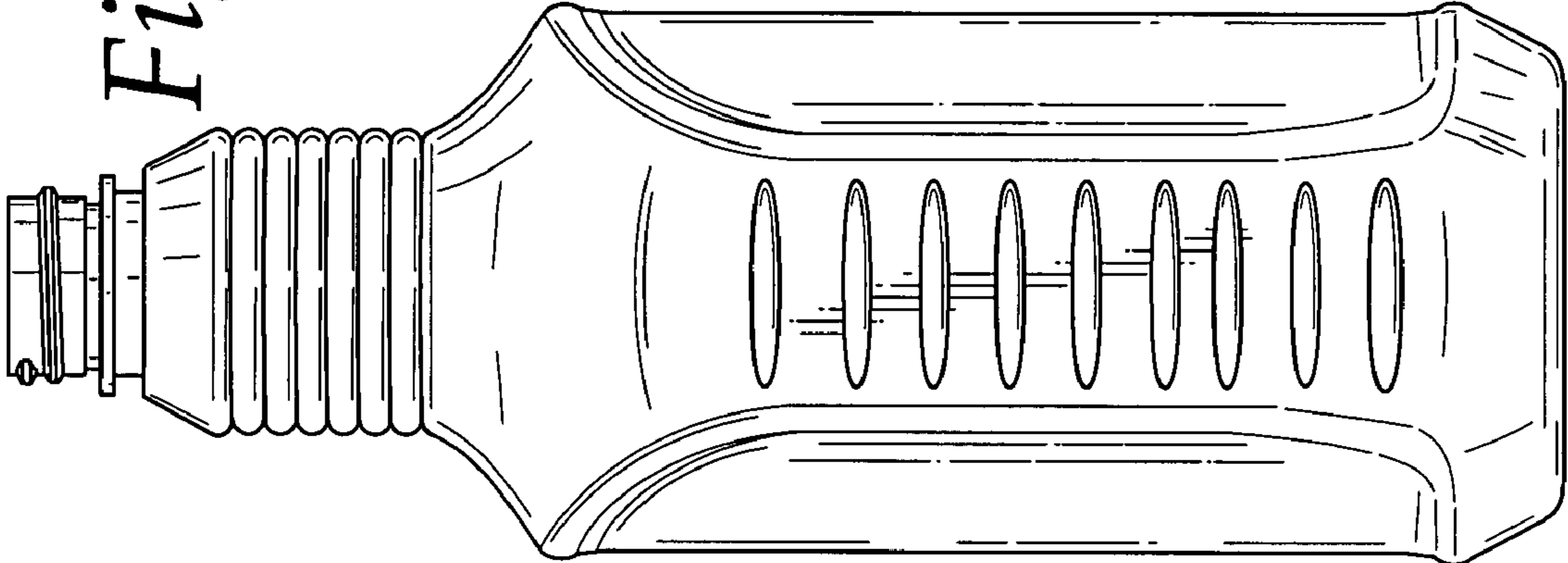


Fig. 5

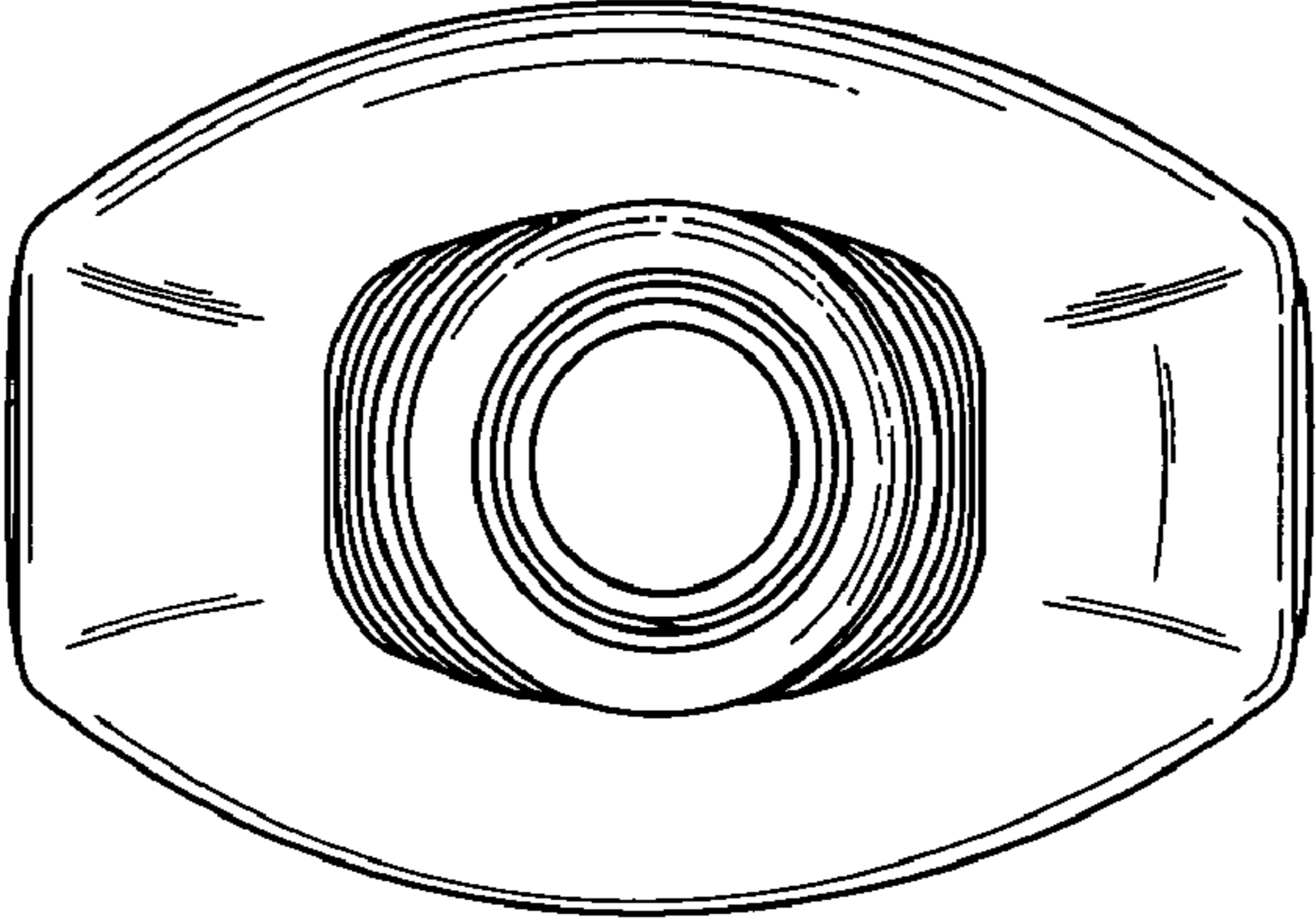


Fig. 6