



US00D551080S

(12) **United States Design Patent**  
**Pedmo et al.**

(10) **Patent No.:** **US D551,080 S**

(45) **Date of Patent:** **\*\* Sep. 18, 2007**

(54) **CONTAINER BASE**

(75) Inventors: **Marc A. Pedmo**, Brunswick, OH (US);  
**James J. Miller**, Barberton, OH (US)

(73) Assignee: **Plastpak Packaging, Inc.**, Plymouth,  
MI (US)

(\*\*) Term: **14 Years**

(21) Appl. No.: **29/255,302**

(22) Filed: **Mar. 7, 2006**

(51) **LOC (8) Cl.** ..... **09-01**

(52) **U.S. Cl.** ..... **D9/516; D9/520**

(58) **Field of Classification Search** ..... D9/516,  
D9/520, 537, 538, 539, 540, 549, 556, 557,  
D9/558; 215/375, 381, 382, 383, 384, 385,  
215/396, 398, 400; 220/606, 608, 609  
See application file for complete search history.

(56) **References Cited**

**U.S. PATENT DOCUMENTS**

D404,308 S \* 1/1999 Takahashi et al. .... D9/531

6,926,163 B2 \* 8/2005 Darr et al. .... 215/396  
2001/0006165 A1 \* 7/2001 Rashid ..... 215/383  
2003/0052076 A1 \* 3/2003 Cheng et al. .... 215/373  
2004/0195199 A1 \* 10/2004 Maki et al. .... 215/381

\* cited by examiner

*Primary Examiner*—Ian Simmons

*Assistant Examiner*—Dana L. Sipos

(74) *Attorney, Agent, or Firm*—Robert H. Bachman

(57) **CLAIM**

The ornamental design for a container base, as shown and described.

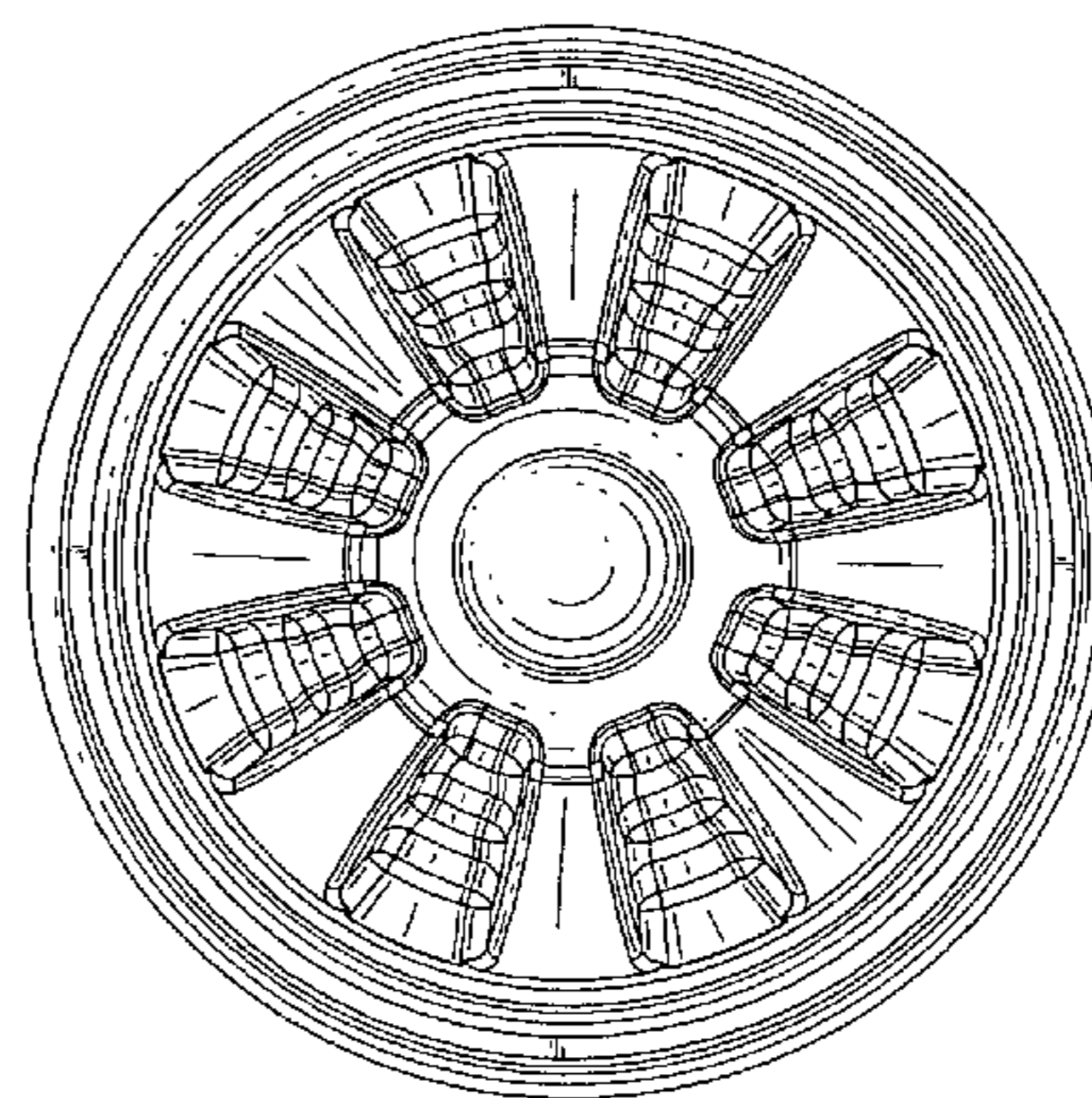
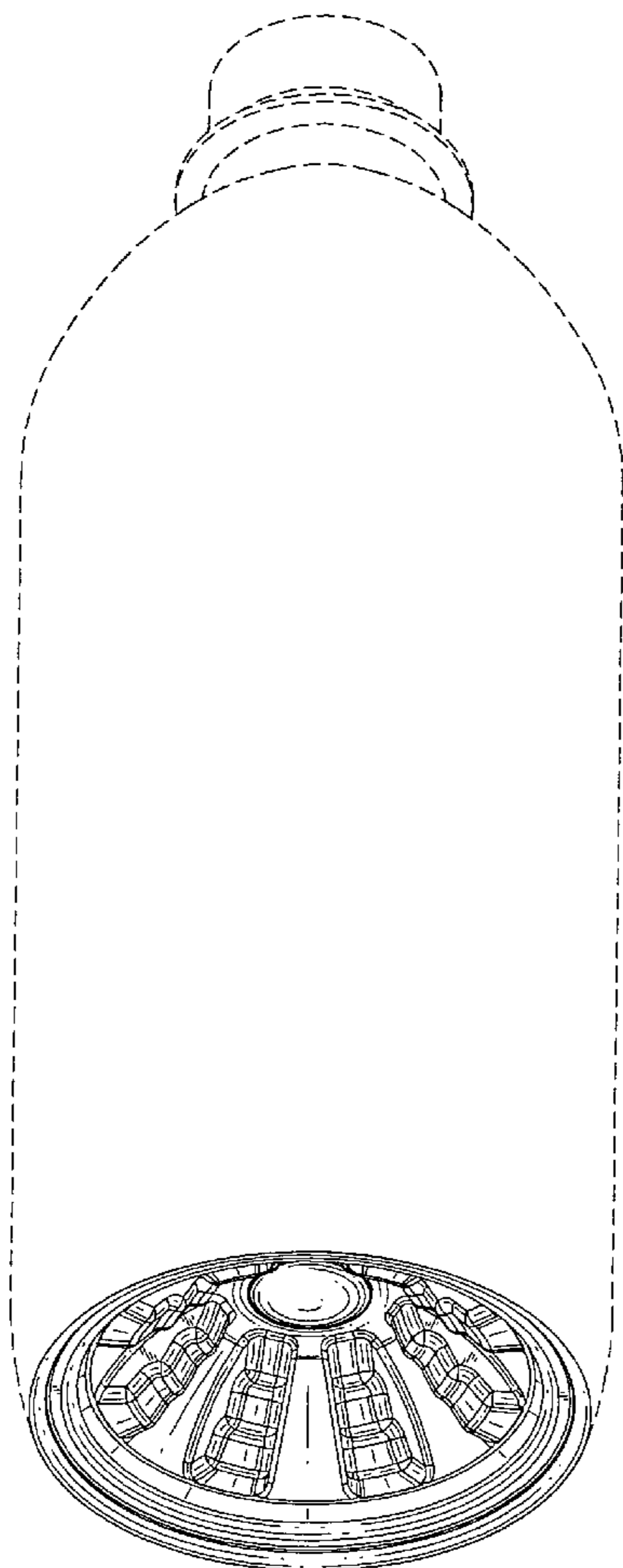
**DESCRIPTION**

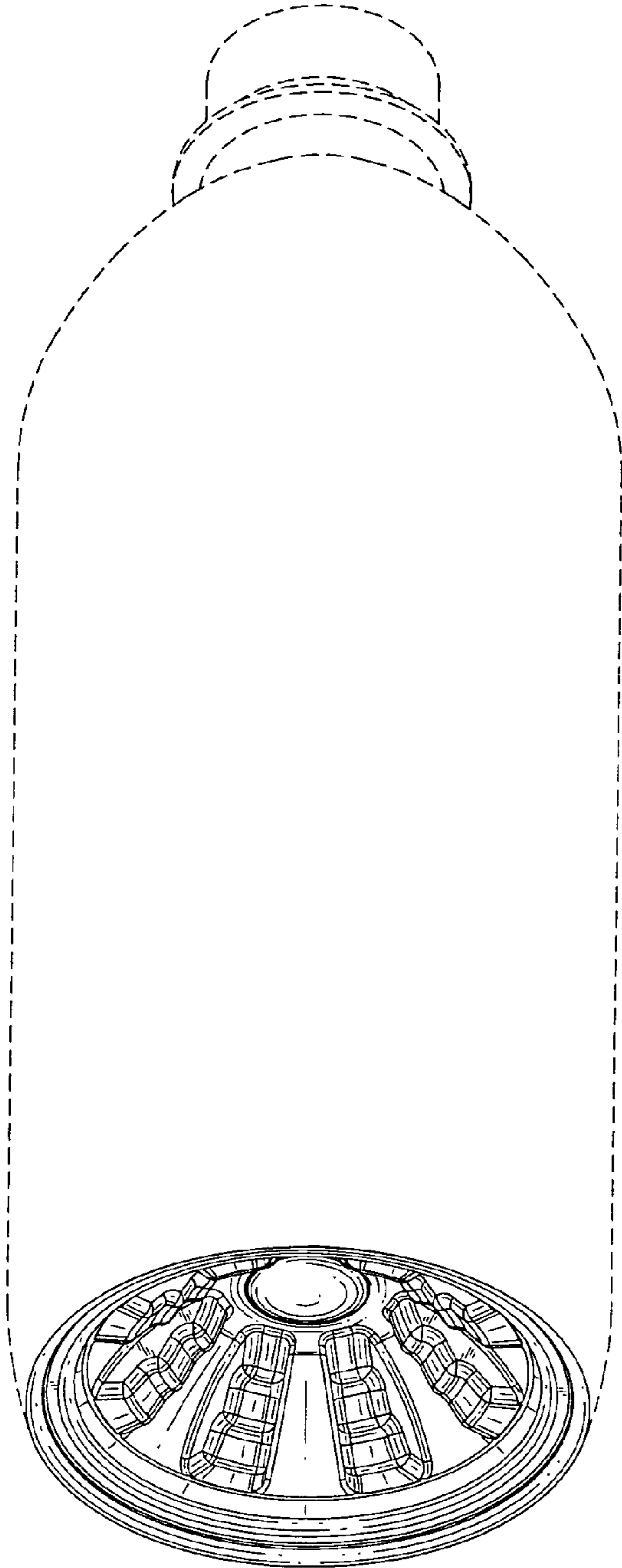
FIG. 1 is a bottom perspective view of a container base of the present invention; and,

FIG. 2 is a bottom plan view thereof.

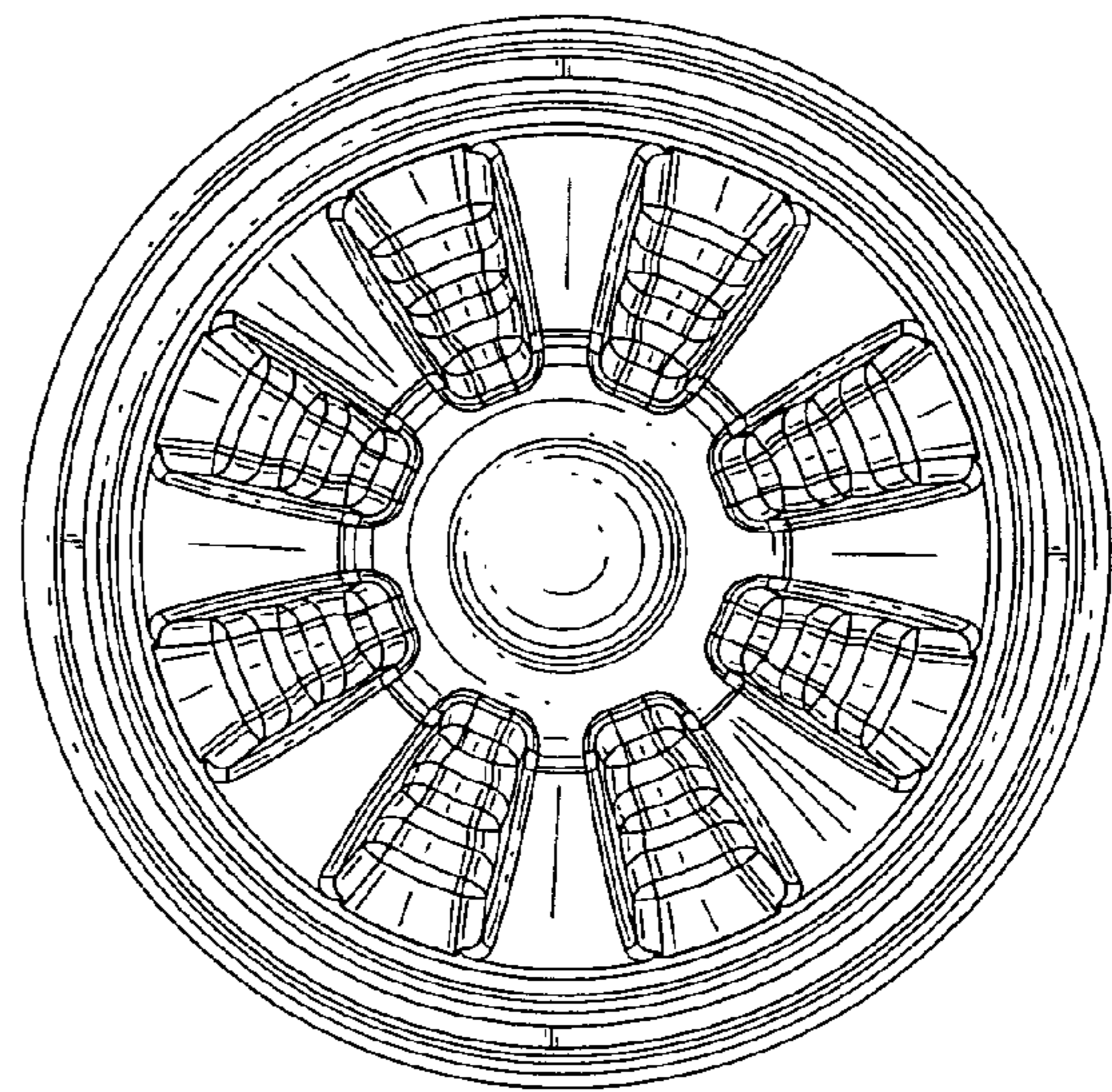
The broken lines shown in the drawings are for illustrative purposes only and form no part of the claimed design.

**1 Claim, 1 Drawing Sheet**





*FIG. 1*



*FIG. 2*