



US00D551079S

(12) **United States Design Patent**
Brooks

(10) **Patent No.:** **US D551,079 S**

(45) **Date of Patent:** **** Sep. 18, 2007**

- (54) **POLYGONAL SUSCEPTOR TRAY**
- (75) Inventor: **Joseph R. Brooks**, Chicago, IL (US)
- (73) Assignee: **Kraft Foods Holdings, Inc.**, Northfield, IL (US)
- (**) Term: **14 Years**
- (21) Appl. No.: **29/254,370**
- (22) Filed: **Feb. 22, 2006**

Related U.S. Application Data

- (62) Division of application No. 29/217,345, filed on Nov. 16, 2004, now Pat. No. Des. 519,375.
- (51) **LOC (8) Cl.** **09-07**
- (52) **U.S. Cl.** **D9/456**
- (58) **Field of Classification Search** D9/455, D9/434, 414, 457, 456, 433; D11/143; 426/107; 219/759, 728-733
See application file for complete search history.

(56) **References Cited**

U.S. PATENT DOCUMENTS

3,965,323	A	*	6/1976	Forker et al.	219/730
4,703,148	A	*	10/1987	Mikulski et al.	219/729
4,825,024	A	*	4/1989	Seaborne	219/730
4,870,233	A	*	9/1989	McDonald et al.	219/730
4,896,009	A	*	1/1990	Pawlowski	219/730
4,962,849	A	*	10/1990	Anderson	206/45.24
D332,711	S	*	1/1993	Olson	D6/449
5,230,914	A	*	7/1993	Akervik	426/107
D348,834	S	*	7/1994	Wardell, Jr.	D9/435
5,521,361	A	*	5/1996	Strait, Jr.	219/731
5,565,228	A	*	10/1996	Gies	426/107
5,873,218	A	*	2/1999	Kendig	53/442

5,989,606	A	*	11/1999	Sambailo	426/106
2001/0032843	A1	*	10/2001	Aronsson et al.	219/730
2004/0262322	A1	*	12/2004	Middleton et al.	220/675

* cited by examiner

Primary Examiner—Robert M. Spear

Assistant Examiner—Susan Bennett Hattan

(74) *Attorney, Agent, or Firm*—Cook, Alex, McFarron, Manzo, Cummings & Mehler, Ltd.

(57) **CLAIM**

The ornamental design for a polygonal susceptor tray, as shown and described.

DESCRIPTION

FIG. 1 is a perspective view of a polygonal susceptor tray showing the new design;
 FIG. 2 is a top plan view thereof;
 FIG. 3 is a side elevational view thereof, the opposite side elevational view being the same as FIG. 3;
 FIG. 4 is a bottom plan view thereof;
 FIG. 5 is a longitudinal sectional view along the line 5—5 of FIG. 2;
 FIG. 6 is a perspective view of a second embodiment of the polygonal susceptor tray;
 FIG. 7 is a top plan view thereof;
 FIG. 8 is a side elevational view thereof, the opposite side elevational view being the same as FIG. 8;
 FIG. 9 is a bottom plan view thereof; and,
 FIG. 10 is a longitudinal sectional view along the line 10—10 of FIG. 7.
 The broken line showing of other portions of the polygonal susceptor tray is included for illustration only and forms no part of the claimed design.

1 Claim, 4 Drawing Sheets

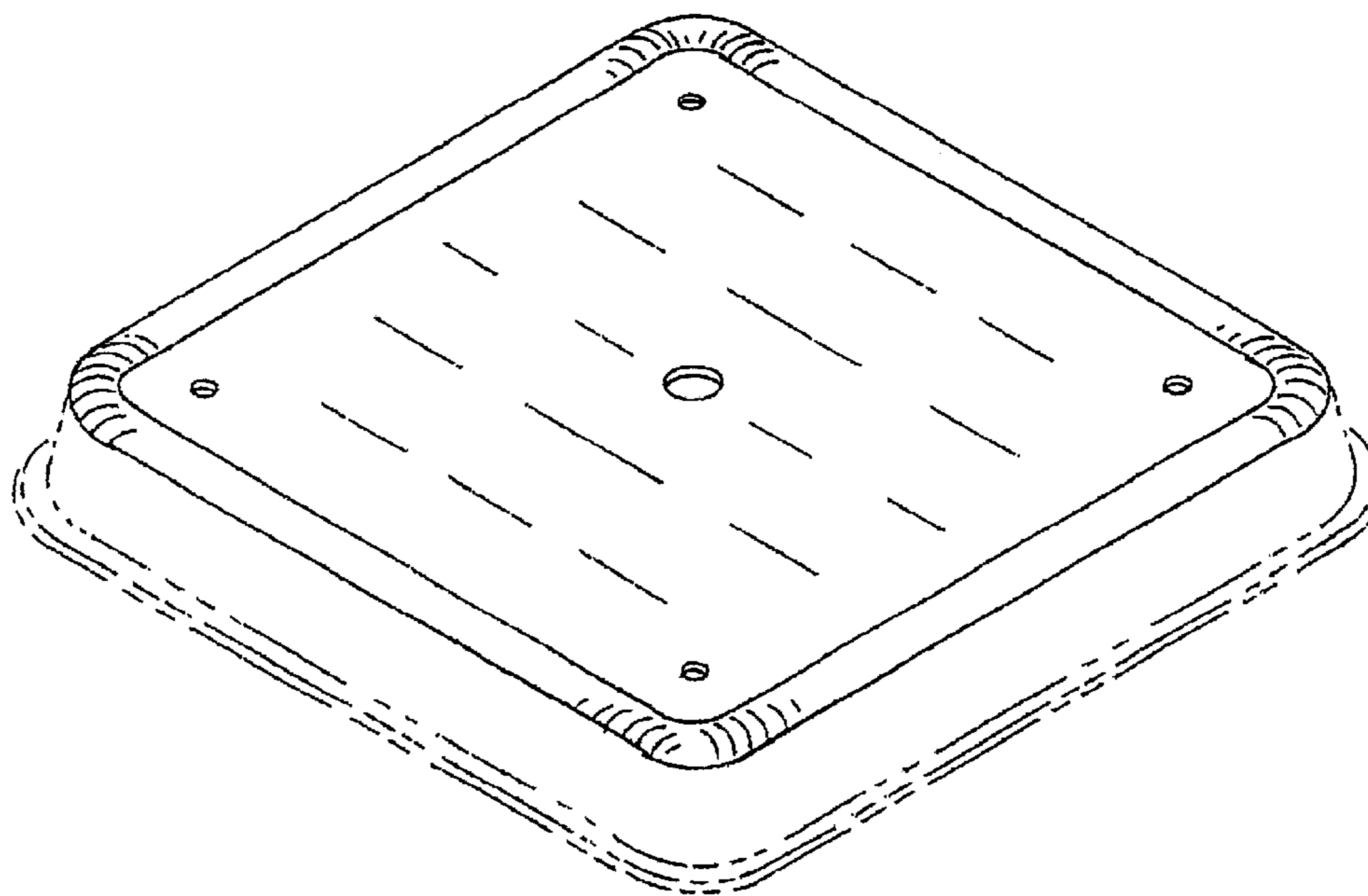


FIG. 1

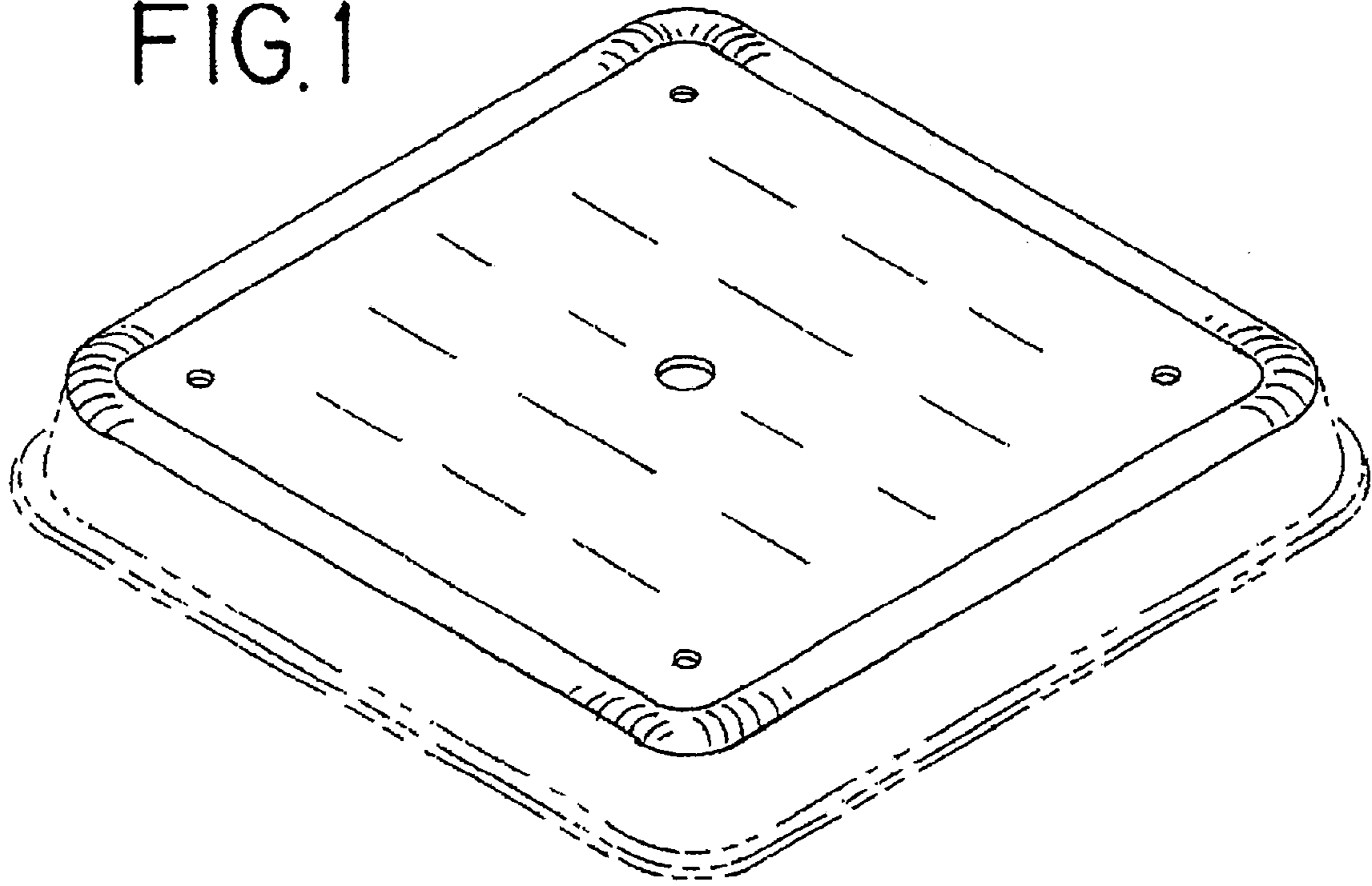


FIG. 2

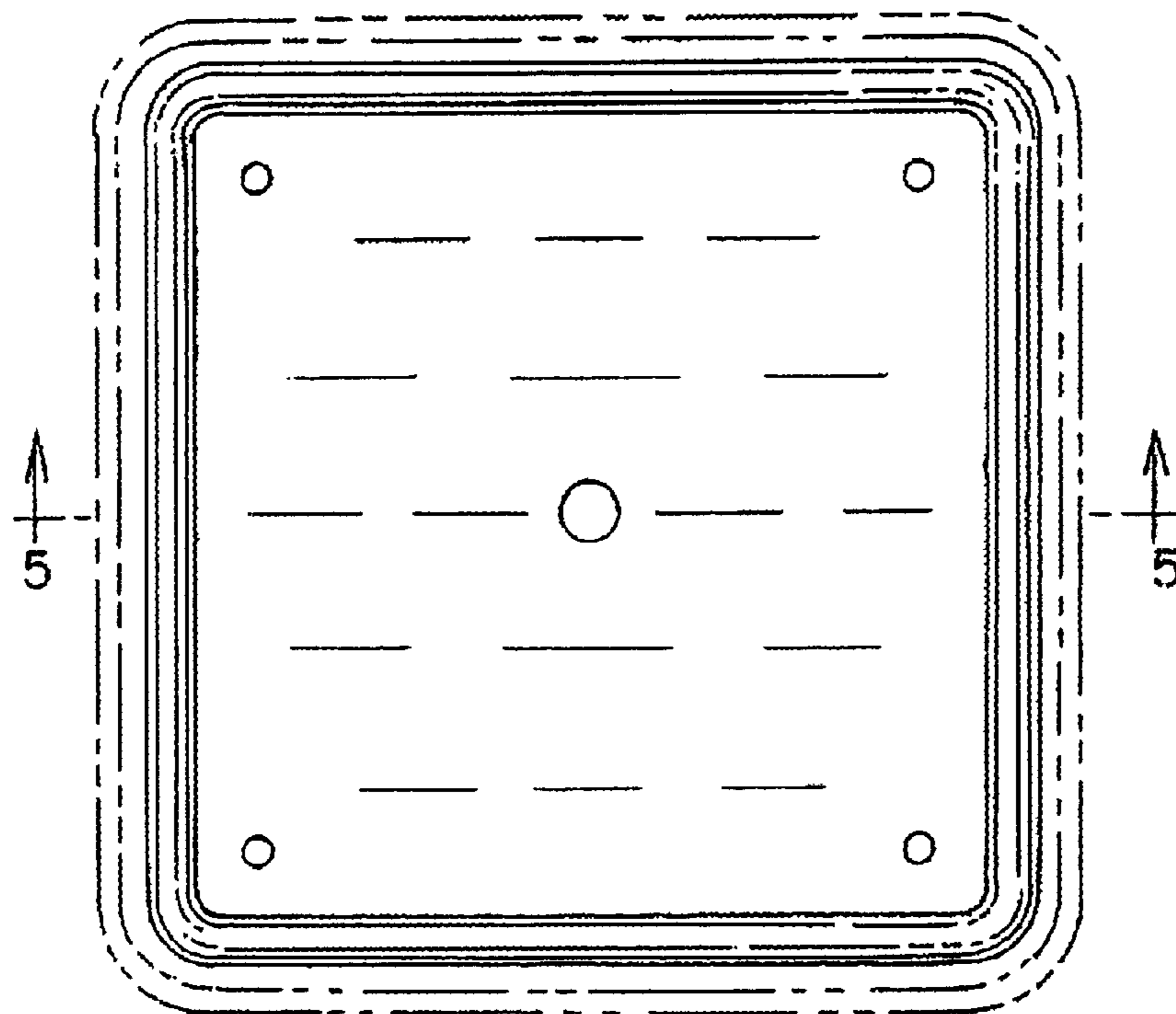


FIG.3

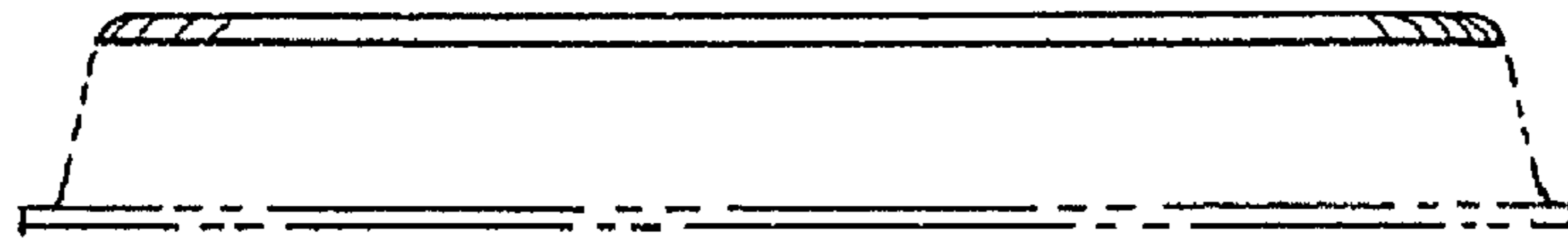


FIG.4

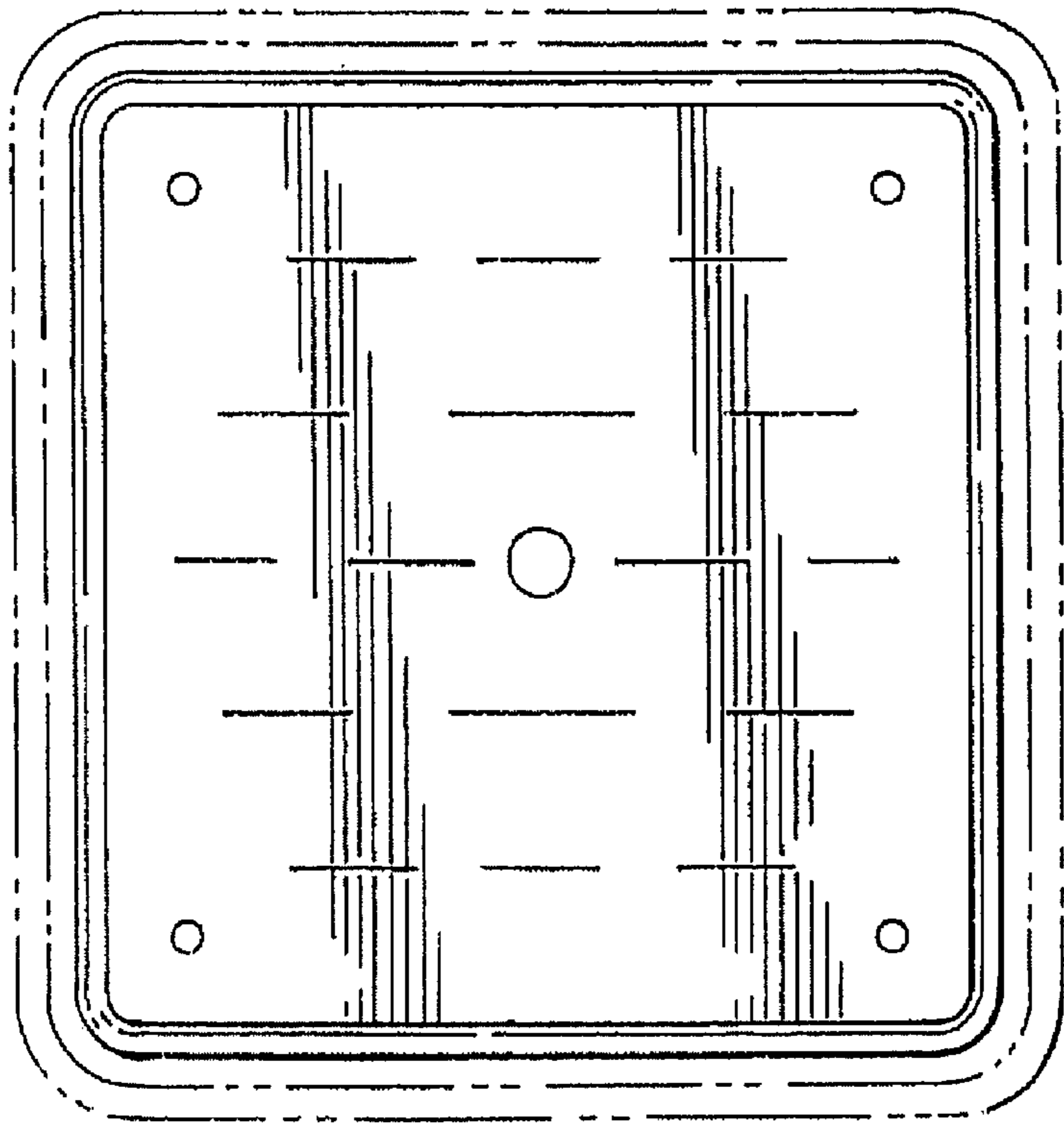


FIG.5

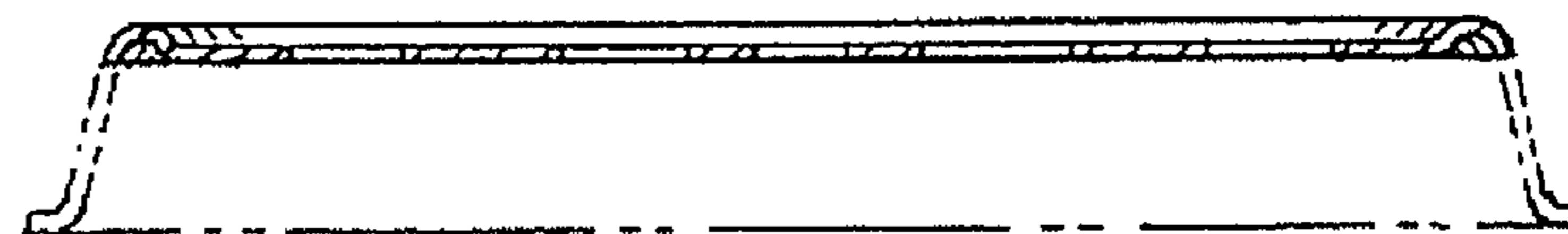


FIG. 6

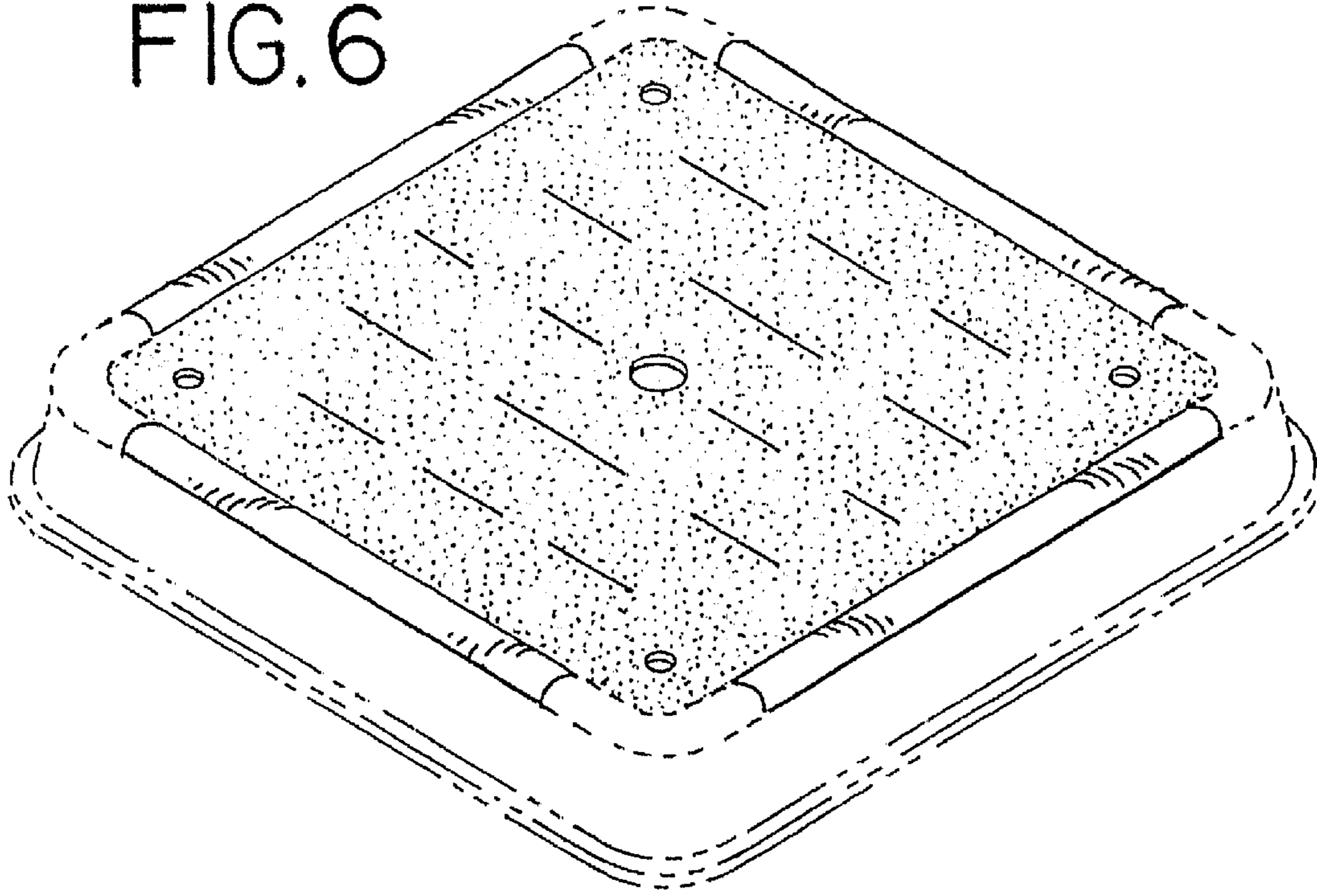


FIG. 7

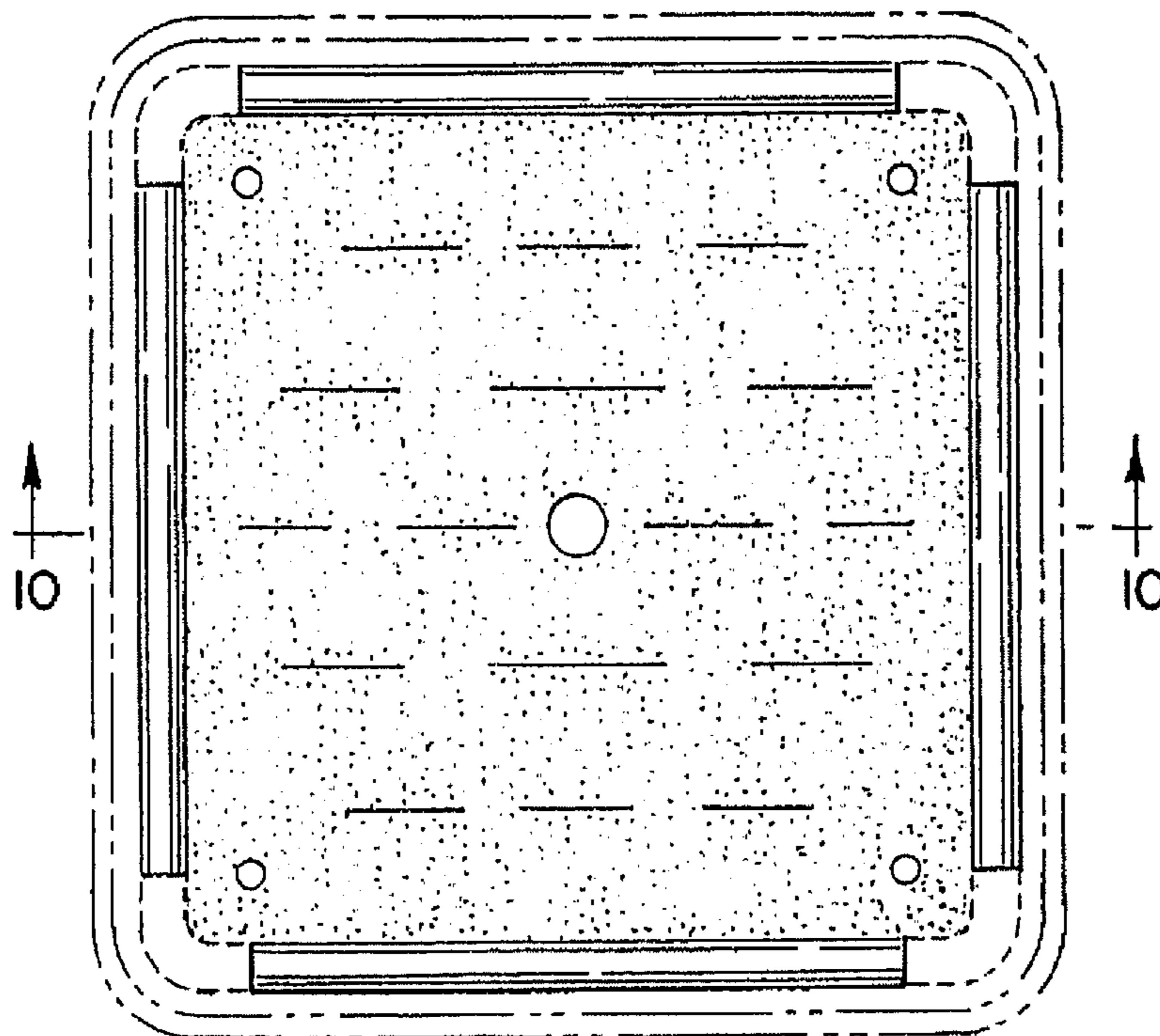


FIG. 8

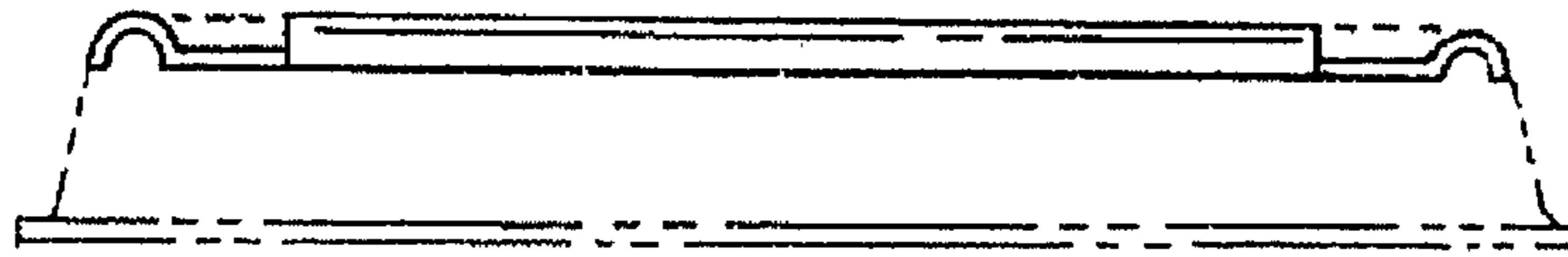


FIG. 9

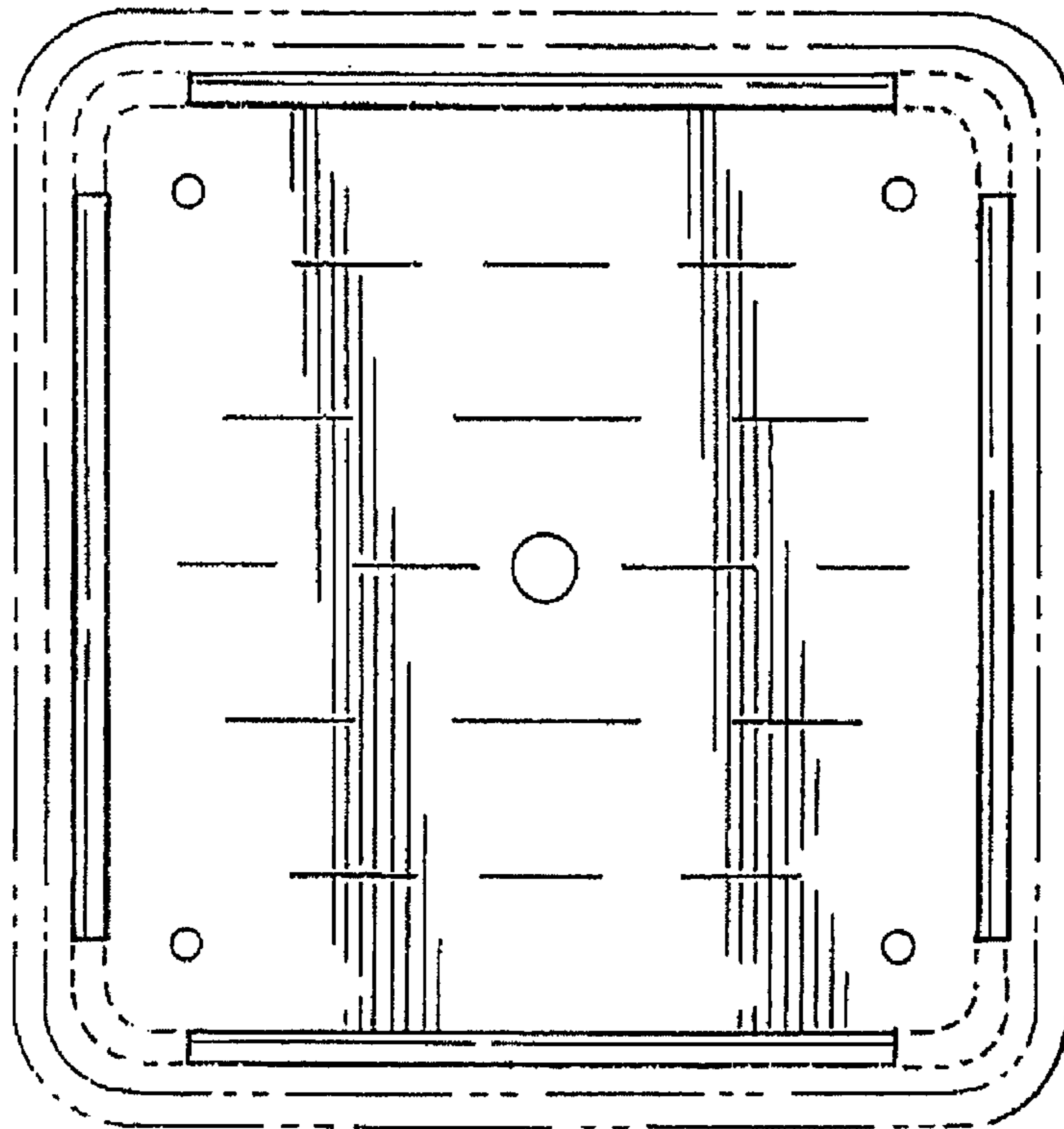


FIG. 10

