



US00D551075S

(12) **United States Design Patent**
Puller

(10) **Patent No.:** **US D551,075 S**

(45) **Date of Patent:** **** Sep. 18, 2007**

(54) **FLUID CONNECTOR**

(76) Inventor: **Stefan Puller**, Neidenburger Weg 10,
32339 Espelkamp (DE)

(**) Term: **14 Years**

(21) Appl. No.: **29/248,434**

(22) Filed: **Aug. 16, 2006**

(51) **LOC (8) Cl.** **09-07**

(52) **U.S. Cl.** **D9/447; D9/454**

(58) **Field of Classification Search** D9/745,
D9/733, 705, 690, 688, 686, 682, 529, 526,
D9/525, 503, 454, 453, 452, 450, 449, 448,
D9/447, 435; D8/14.1; D7/398, 392, 392.1;
D32/45; D28/7, 20; 222/542, 531, 529,
222/213, 207, 541.2-6; 220/717, 713, 254.3-4
See application file for complete search history.

(56) **References Cited**

U.S. PATENT DOCUMENTS

D204,103 S *	3/1966	Lydoa	D9/447
D331,653 S *	12/1992	Stone	D34/11
5,976,300 A	11/1999	Buchanan et al.		
D453,472 S *	2/2002	Kwong	D9/447
D513,180 S *	12/2005	Lindsey et al.	D9/447
D531,900 S *	11/2006	Mavin et al.	D9/447

FOREIGN PATENT DOCUMENTS

CN	01266141.4	10/2001
CN	03243041.8	3/2003
DE	202 14 638.3	9/2002
DE	10 2004 050 603.5	10/2004

* cited by examiner

Primary Examiner—Robert M. Spear

Assistant Examiner—Susan Bennett Hattan

(74) *Attorney, Agent, or Firm*—24IP Law Group USA;
Timothy R. DeWitt

(57) **CLAIM**

The ornamental design for fluid connector, as shown and described.

DESCRIPTION

FIG. 1 is a top, front, right perspective view of a fluid connector showing my new design;

FIG. 2 is a bottom, rear, left side perspective view of the fluid connector shown in FIG. 1;

FIG. 3 is a front elevational view of the fluid connector shown in FIG. 1, to which the rear elevational view is identical;

FIG. 4 is a right side elevational view of the fluid connector shown in FIG. 1, to which the left side elevational view is identical;

FIG. 5 is a bottom plan view of the fluid connector shown in FIG. 1;

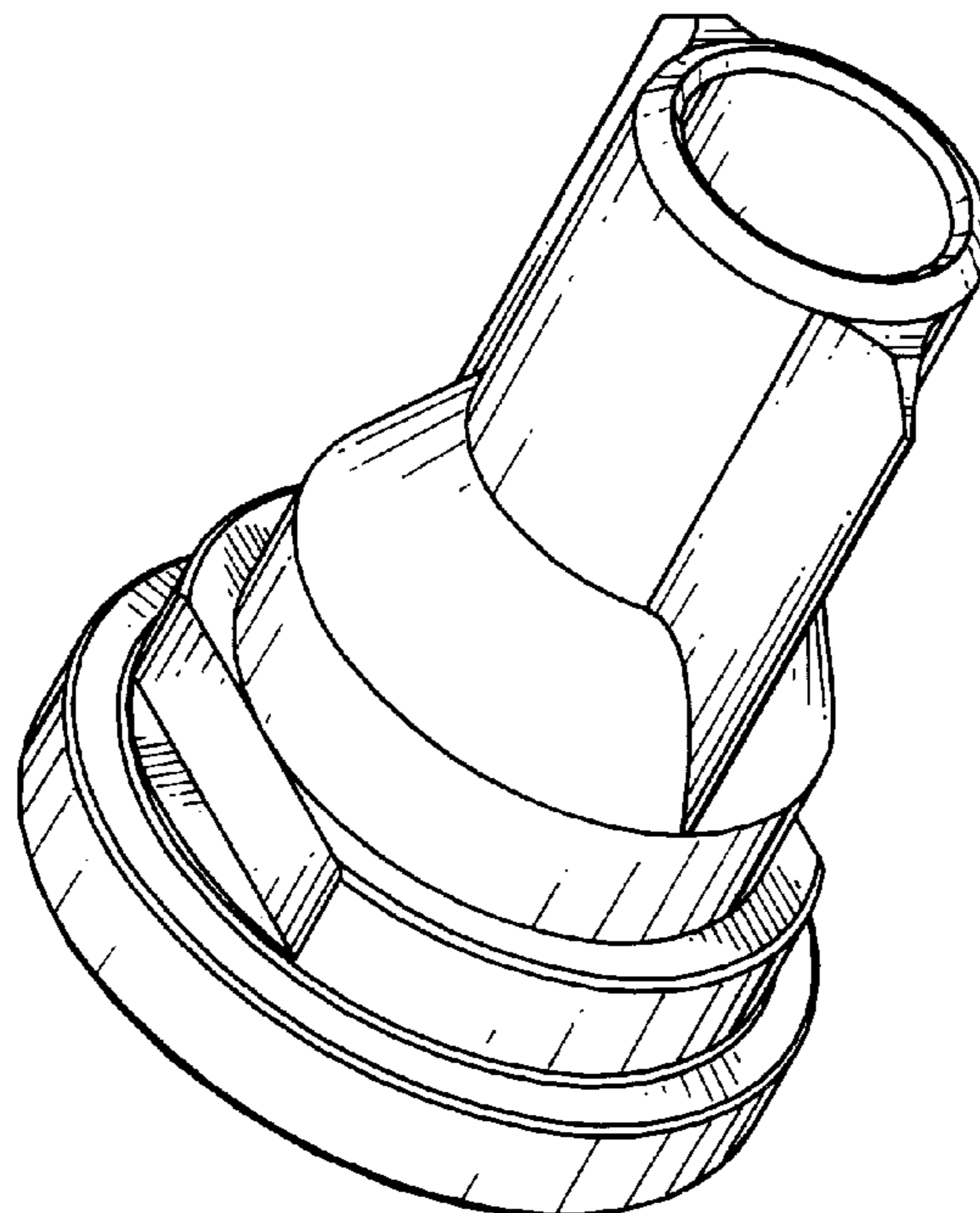
FIG. 6 is a top plan view of the fluid connector shown in FIG. 1;

FIG. 7 is a cross-sectional view of the fluid connector shown in FIG. 1, taken at line VII-VII in FIG. 6;

FIG. 8 is a cross-sectional view of the fluid connector shown in FIG. 1, taken at line VIII-VIII in FIG. 6; and,

FIG. 9 is a cross-sectional view of the fluid connector shown in FIG. 1, taken at line IX-IX in FIG. 5.

1 Claim, 5 Drawing Sheets



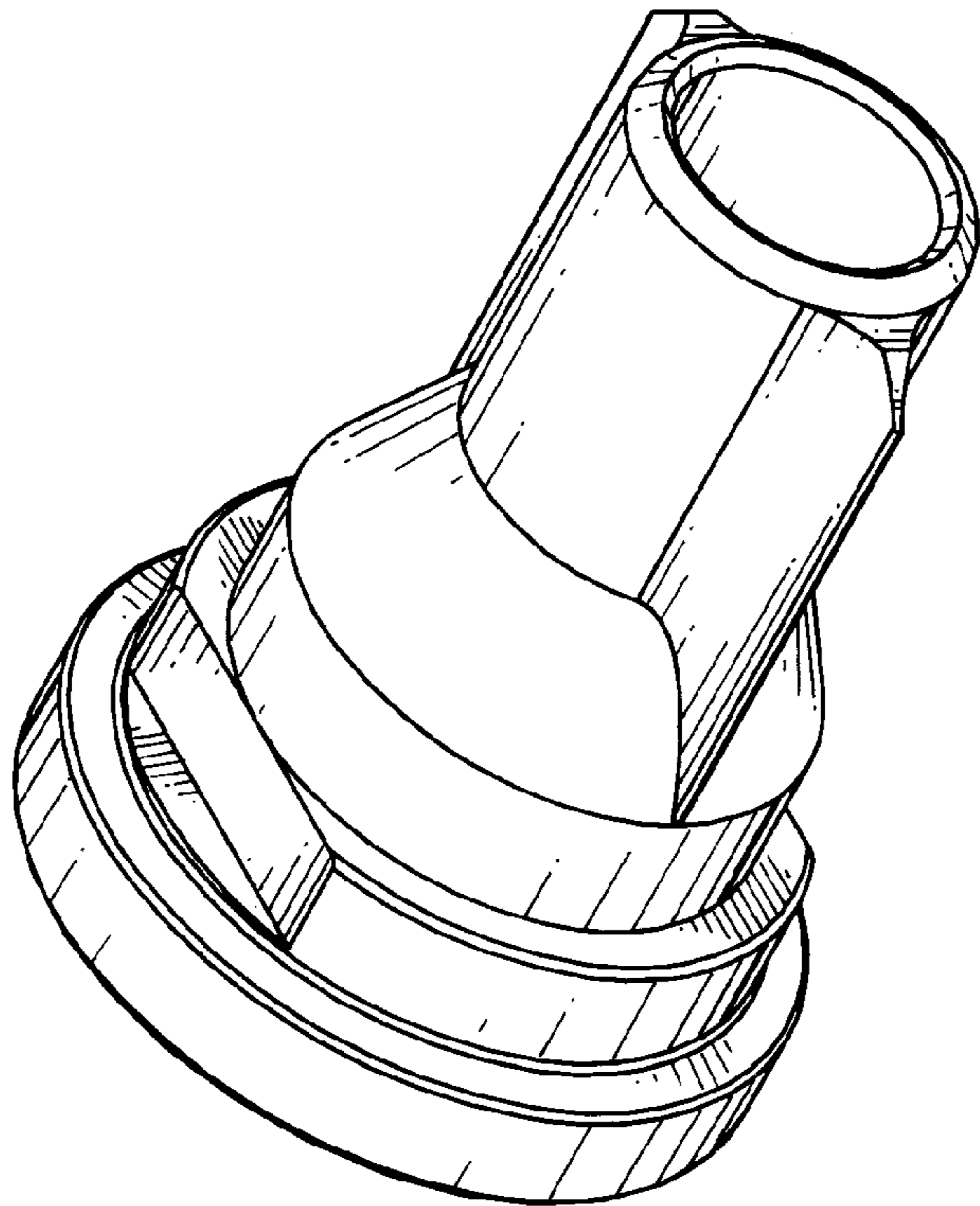


FIG. 1

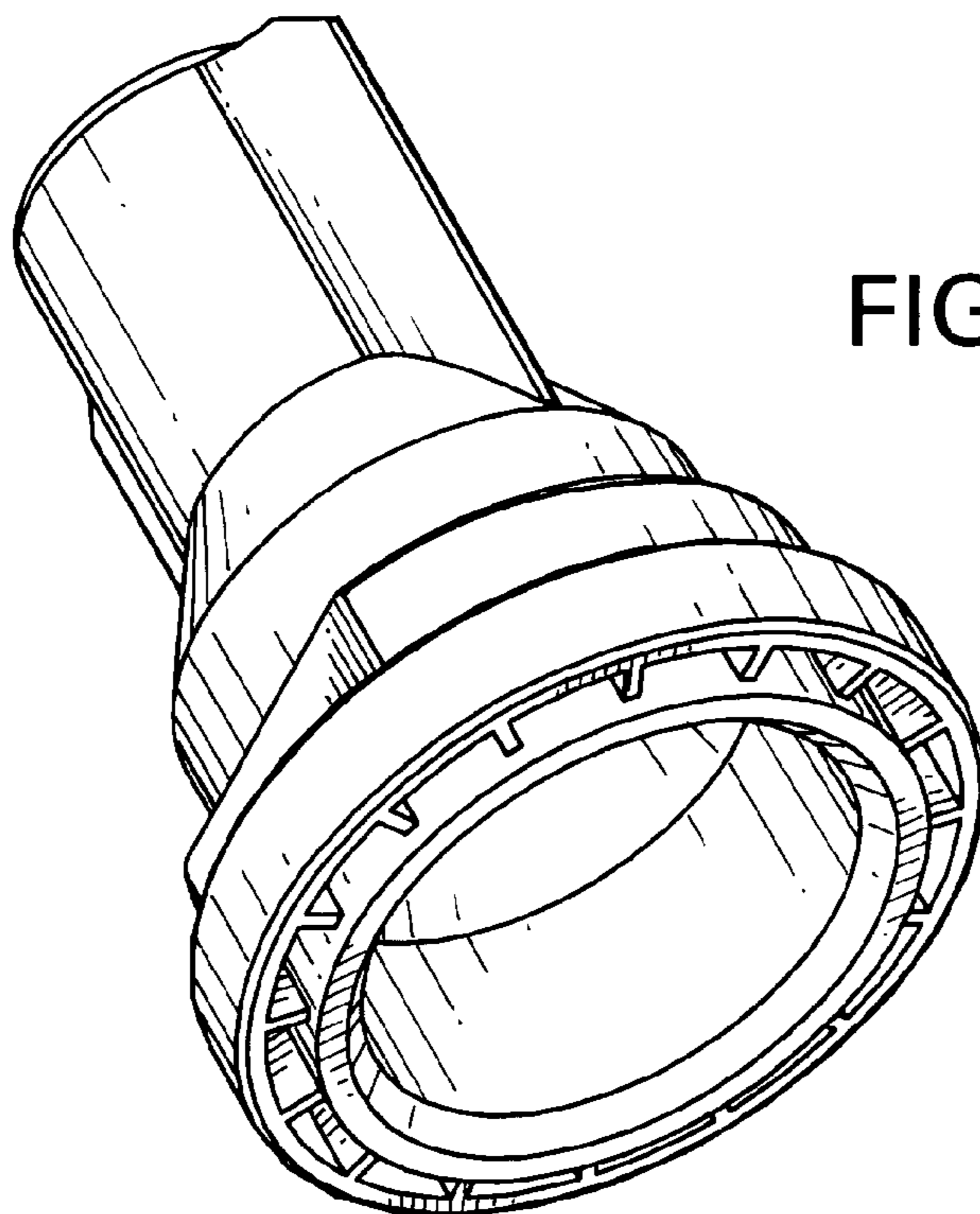


FIG. 2

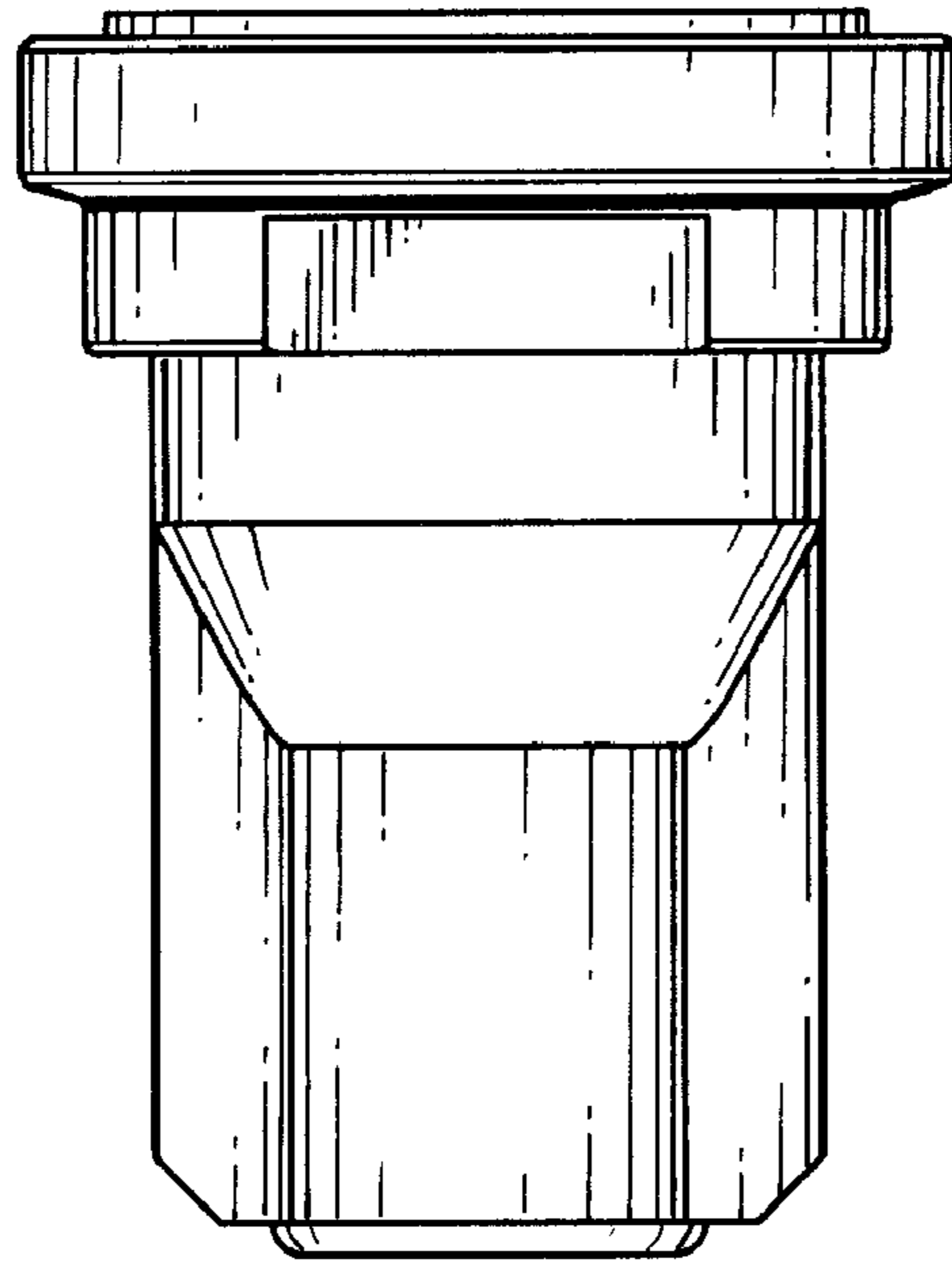


FIG. 3

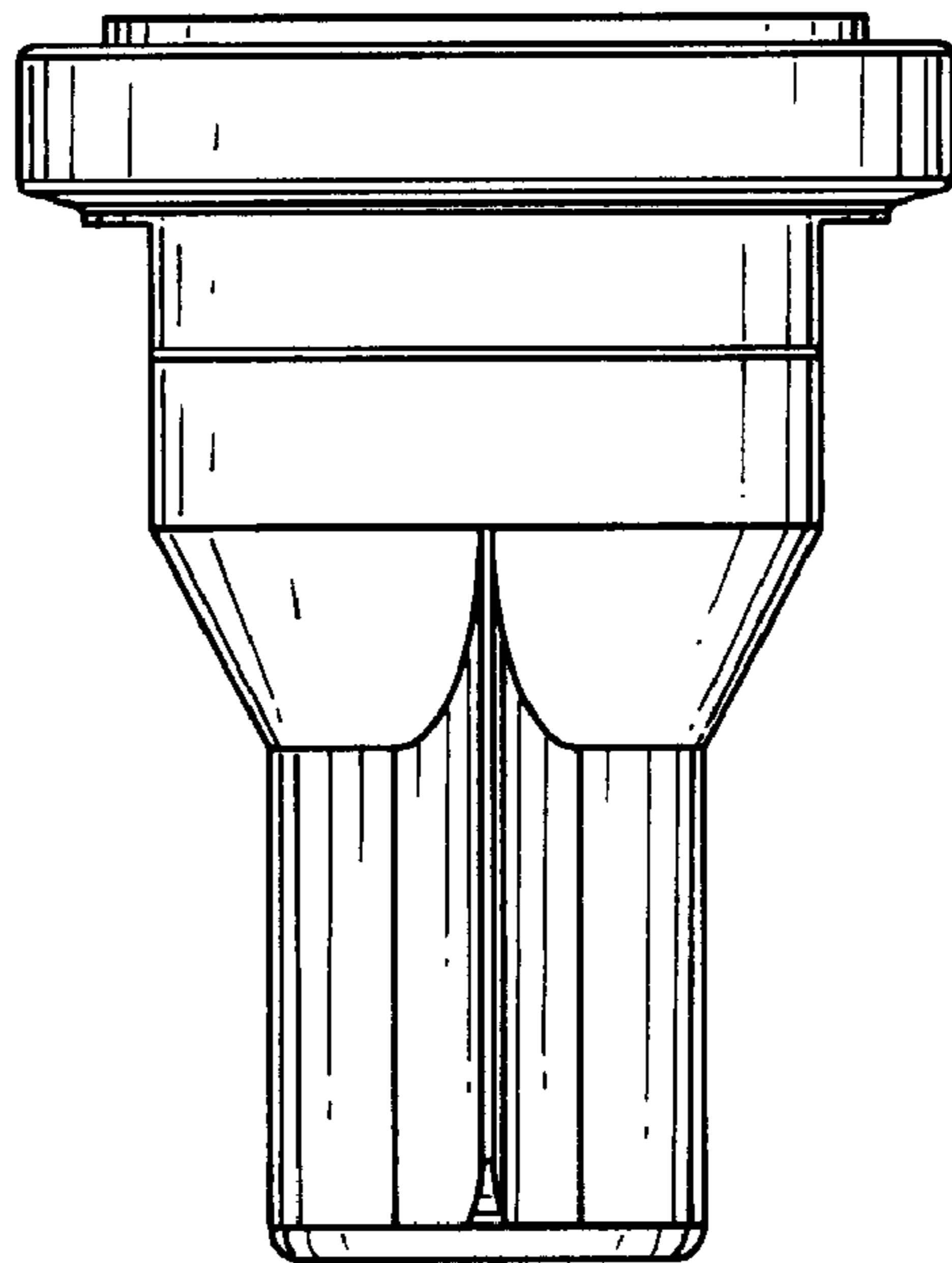


FIG. 4

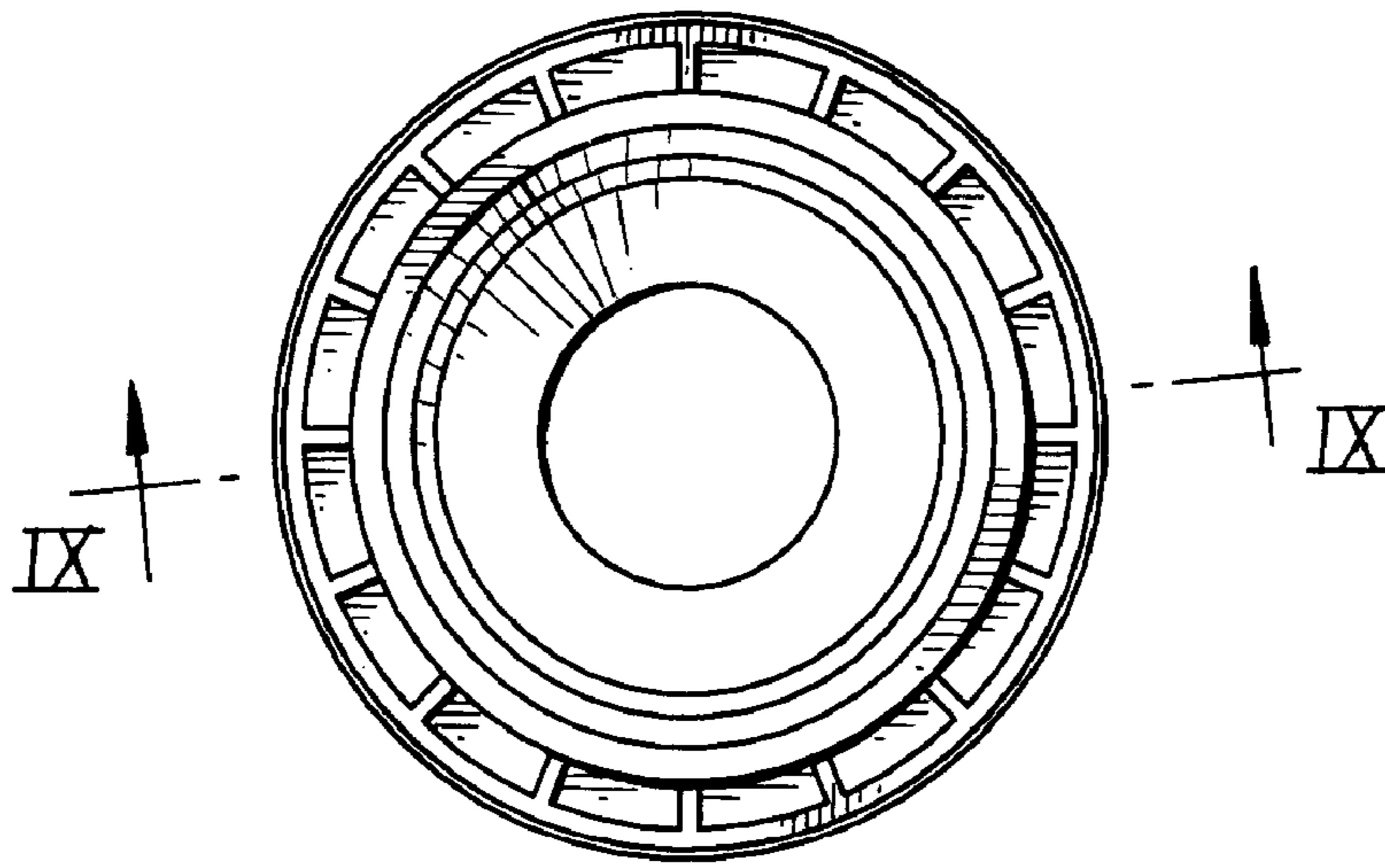


FIG. 5

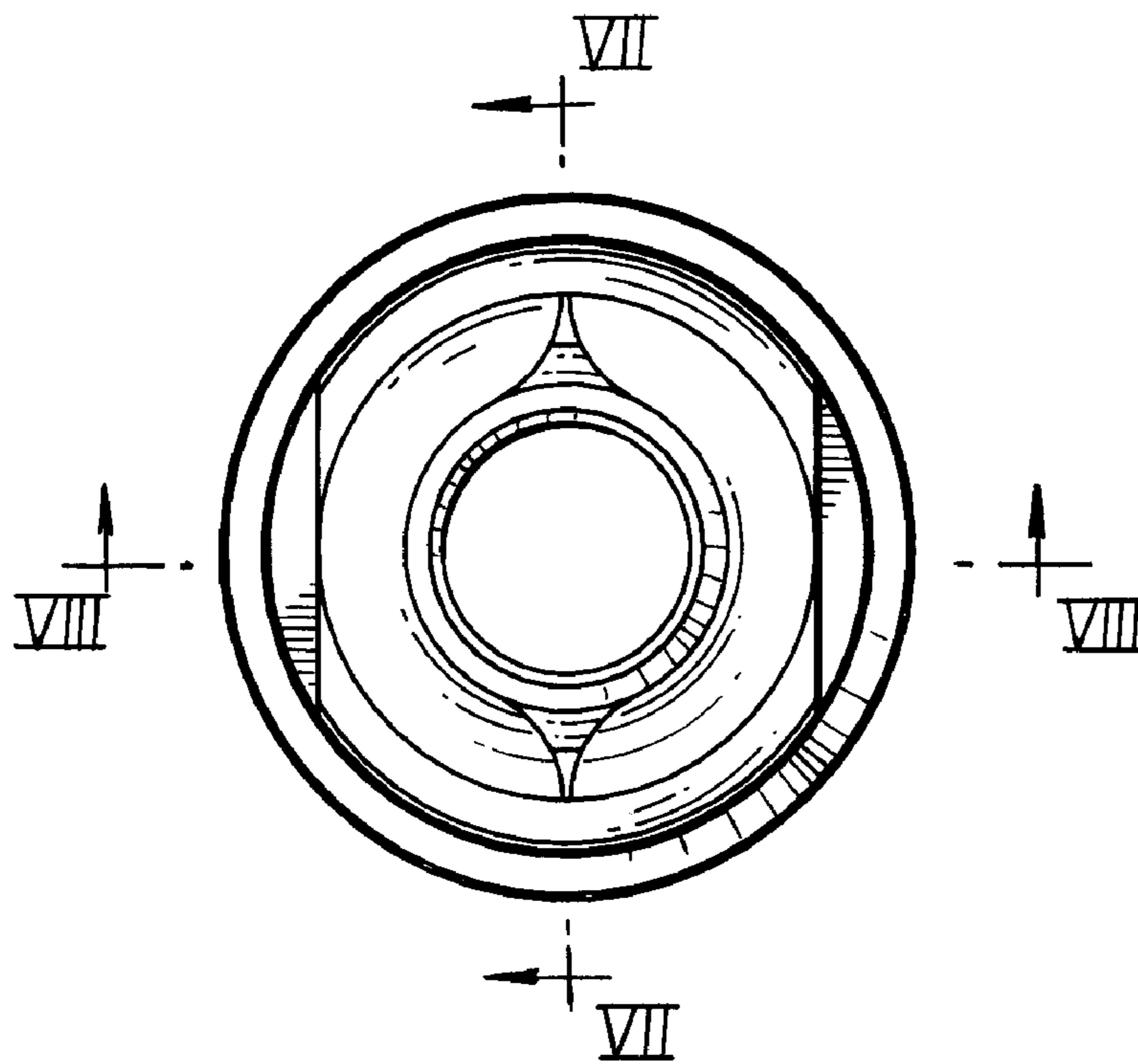


FIG. 6

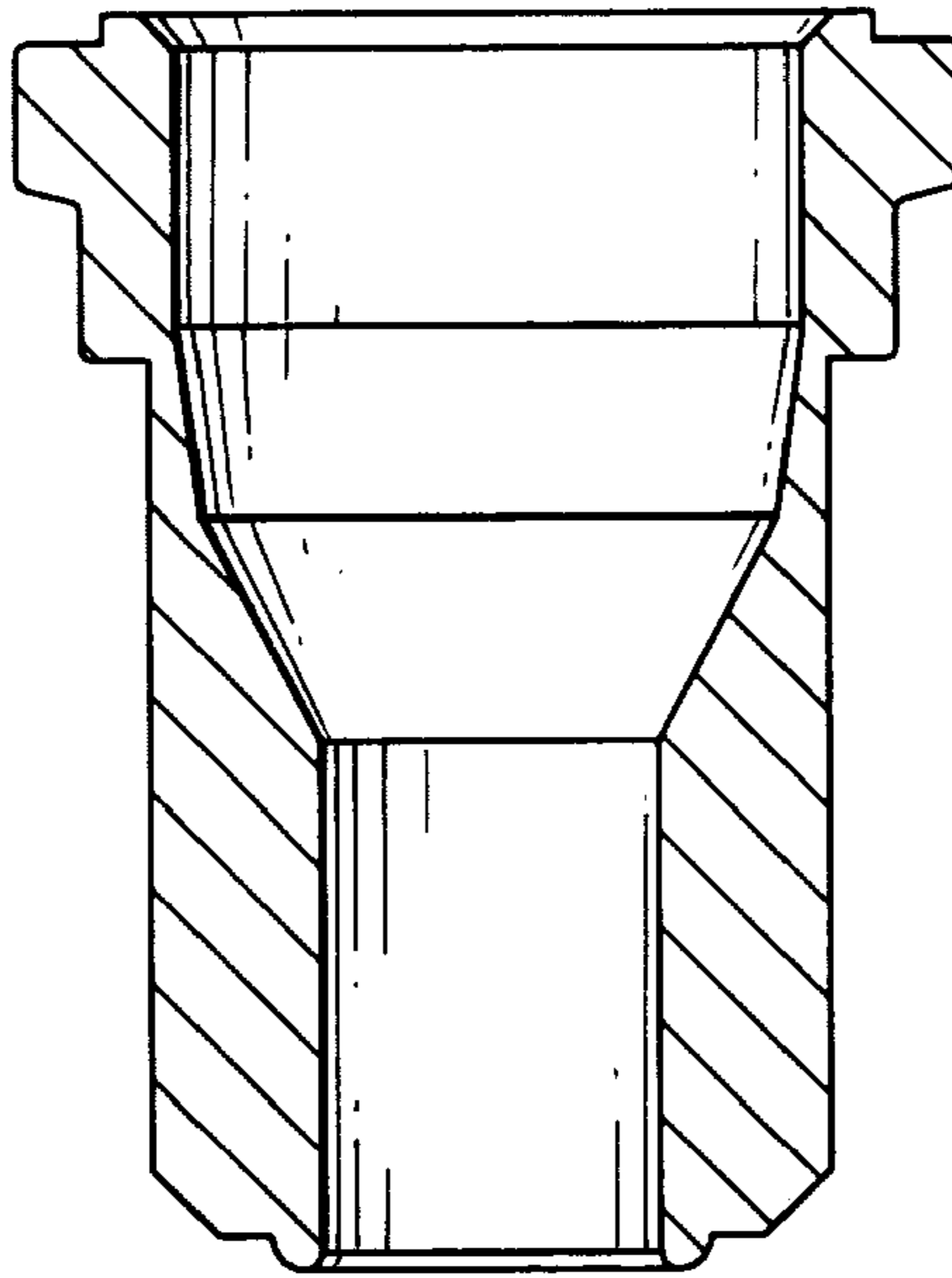


FIG. 7

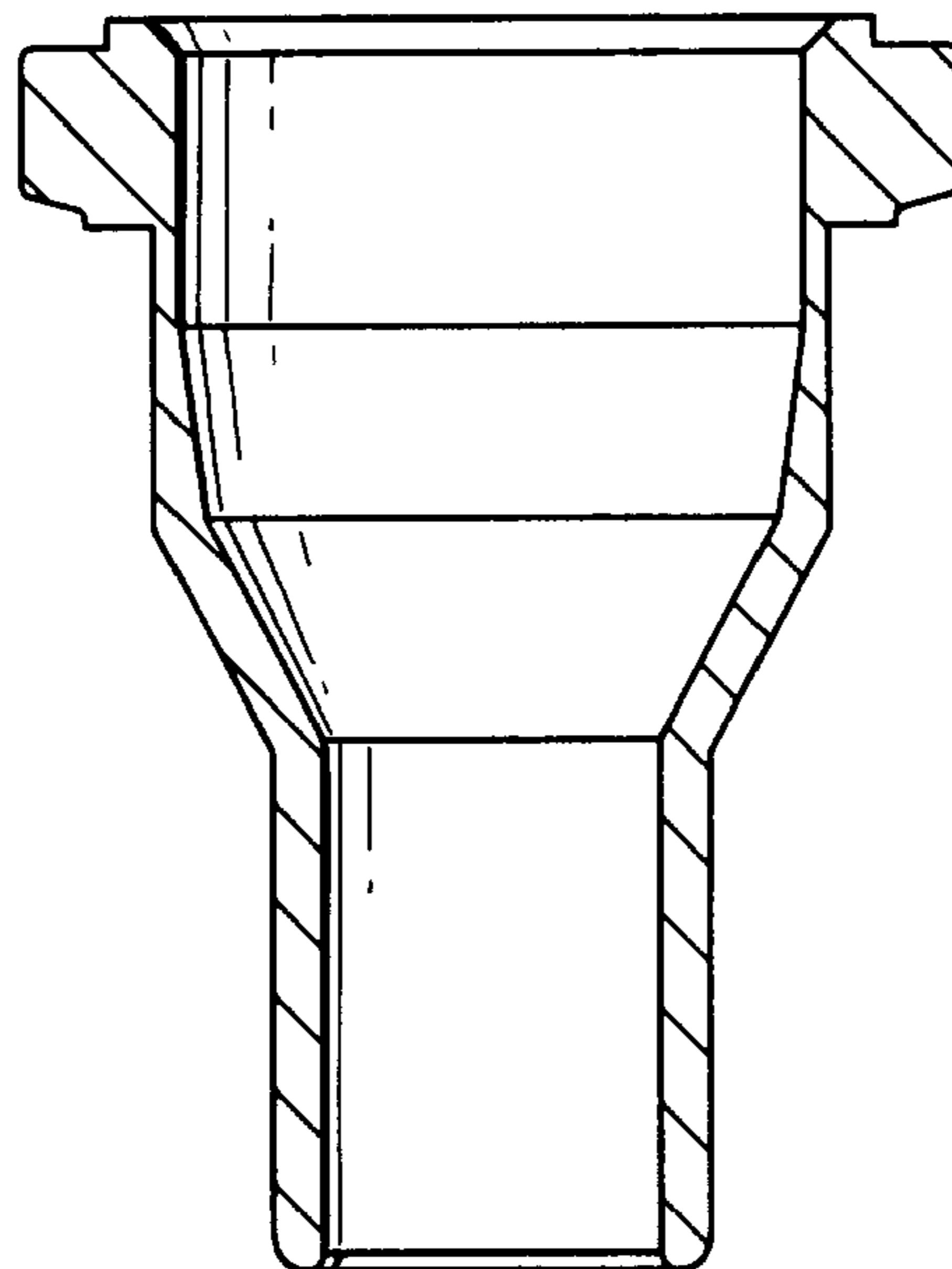


FIG. 8

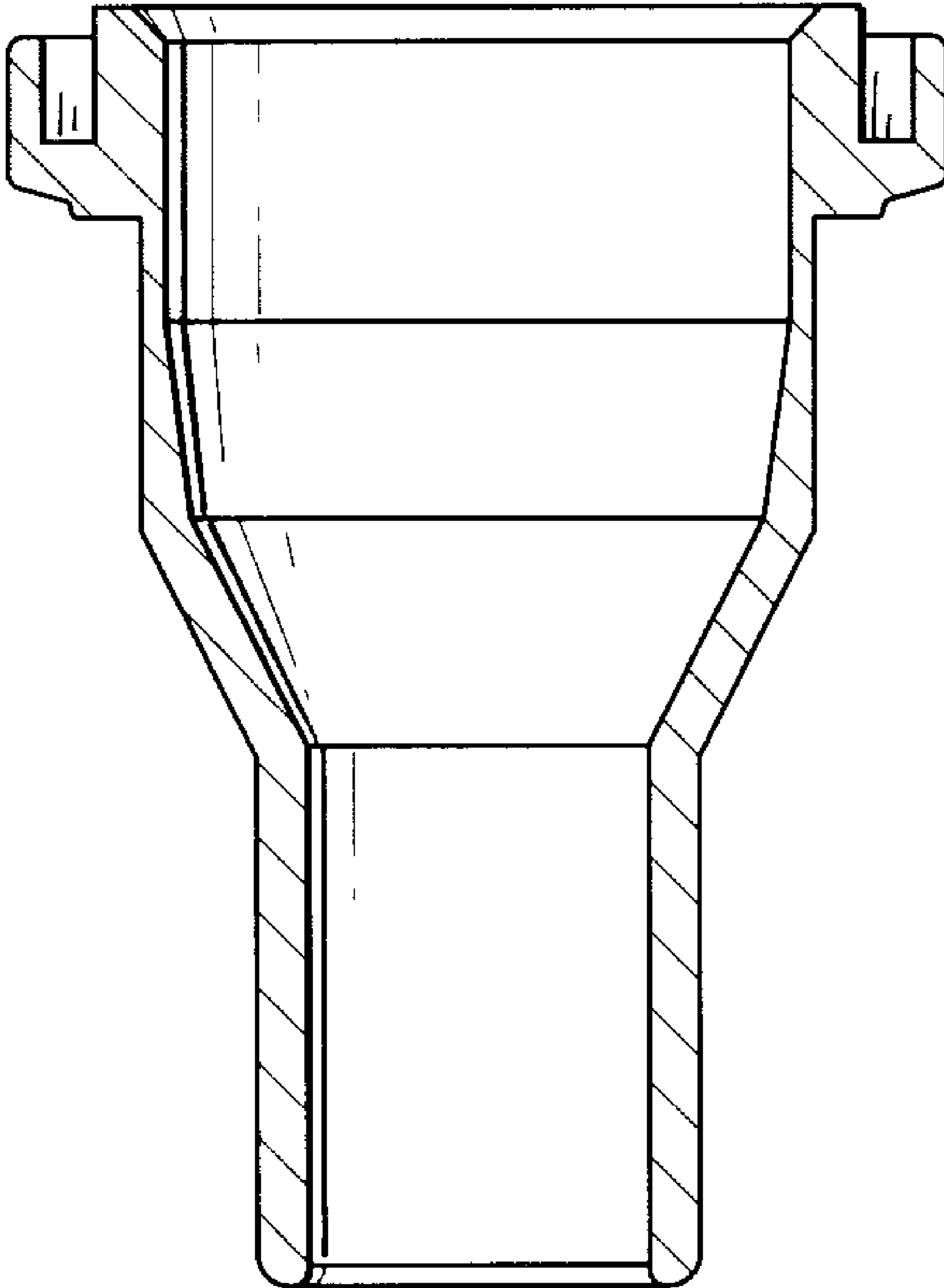


FIG. 9