



US00D551069S

(12) **United States Design Patent**
Wu

(10) **Patent No.:** **US D551,069 S**

(45) **Date of Patent:** **** Sep. 18, 2007**

(54) **CLAMP FOR GARMENT HANGERS**

D514,435 S * 2/2006 Bhavnani D8/395

* cited by examiner

(76) **Inventor:** **Raymond Wu**, 12640 Belinda Ct.,
Lynwood, CA (US) 90262

Primary Examiner—Louis S. Zarfes

Assistant Examiner—John Windmuller

(**) **Term:** **14 Years**

(74) *Attorney, Agent, or Firm*—Troxell Law Office, PLLC

(21) **Appl. No.:** **29/241,828**

(57) **CLAIM**

(22) **Filed:** **Nov. 2, 2005**

The ornamental design for a clamp for garment hangers, as shown and described.

(51) **LOC (8) Cl.** **08-08**

(52) **U.S. Cl.** **D8/395**

(58) **Field of Classification Search** D8/356,
D8/371, 394–396, 499, 53, 100, 365; D12/51;
D19/65, 90; D28/39, 40, 42; 24/546, 563,
24/910, 327, 334, DIG. 8, DIG. 9, DIG. 13,
24/DIG. 28; 248/74.2, 300, 301, 316.7,
248/229.26

DESCRIPTION

See application file for complete search history.

FIG. 1 is a top perspective view of a clamp for garment hangers showing my new design;

FIG. 2 is a front elevational view thereof;

FIG. 3 is a rear elevational view thereof;

FIG. 4 is a left side elevational view thereof;

FIG. 5 is a right side elevational view thereof;

FIG. 6 is a top plan view thereof;

FIG. 6A is an enlarged top perspective view of the center of the clamp shown in FIG. 6;

FIG. 7 is a bottom plan view thereof; and,

FIG. 8 is a top perspective view thereof in use.

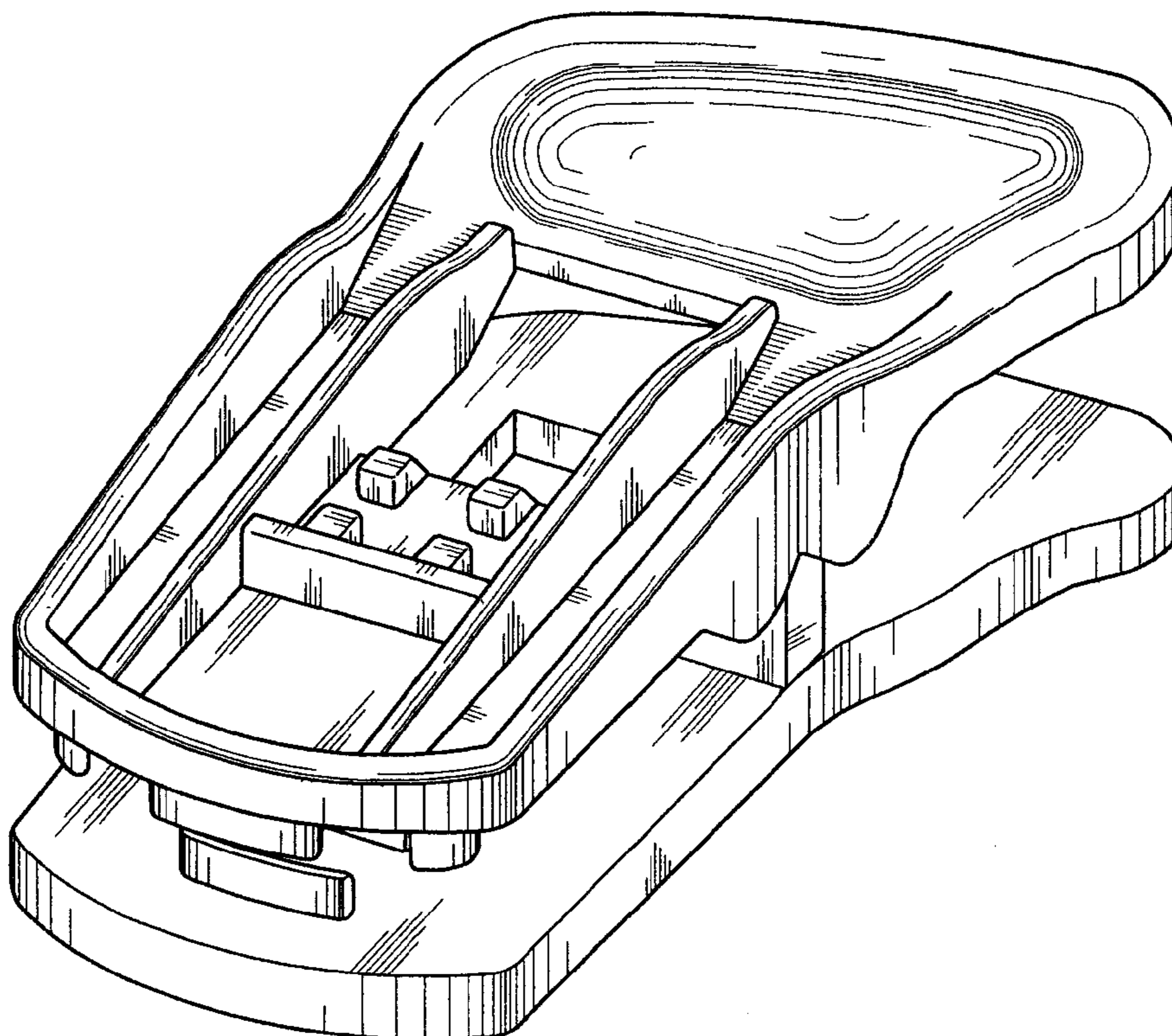
The broken lines in FIG. 8 are for illustrative purposes only and form no part of the claimed design.

(56) **References Cited**

U.S. PATENT DOCUMENTS

- D50,062 S * 12/1916 Fuller D19/65
- 4,086,686 A * 5/1978 Takabayashi 24/504
- 4,141,119 A * 2/1979 Nodo 24/504
- D348,902 S * 7/1994 Beyer D19/65
- D350,985 S * 9/1994 Schimke D19/65
- D478,628 S * 8/2003 Sheldon et al. D19/65

1 Claim, 8 Drawing Sheets



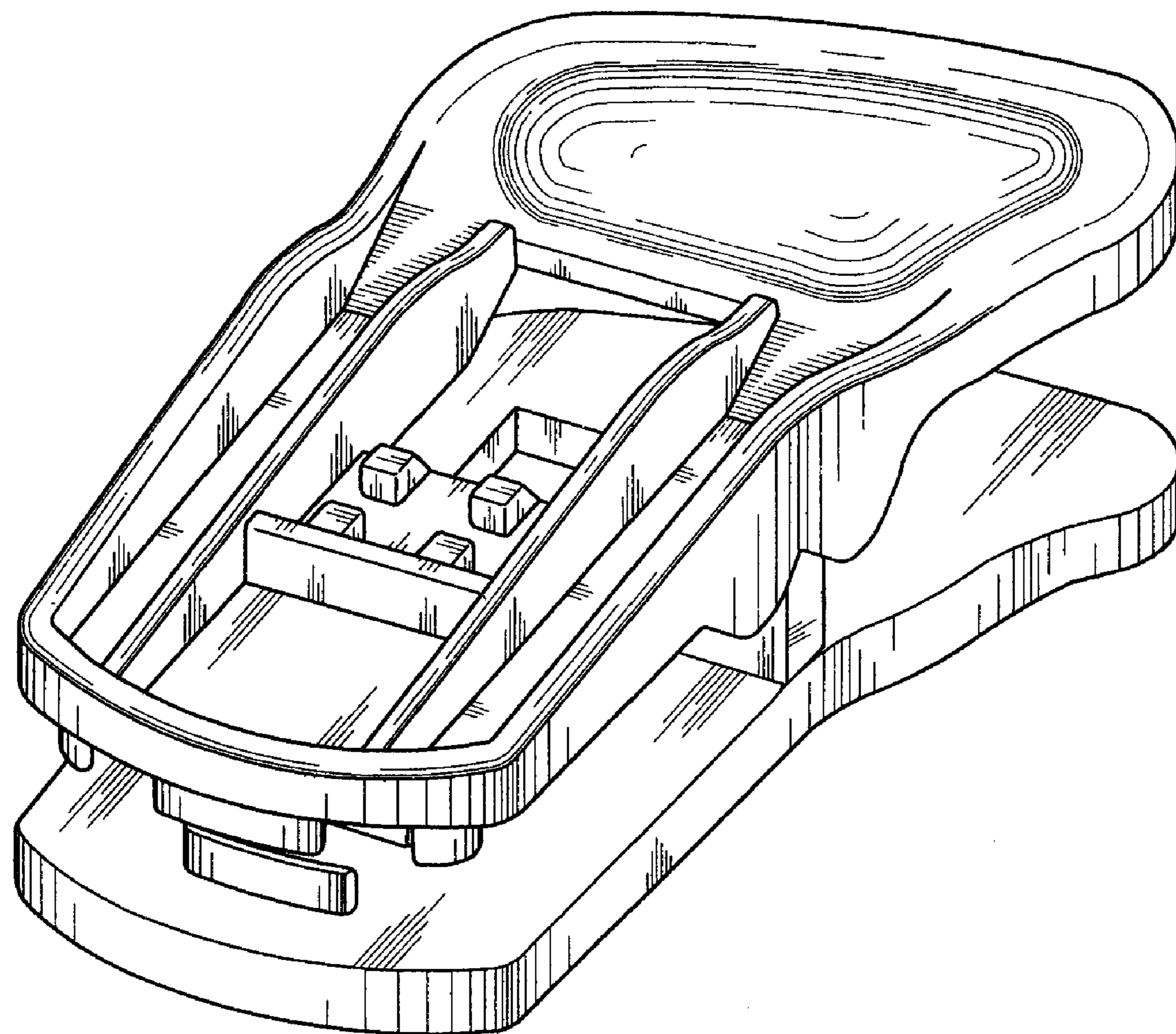


FIG. 1

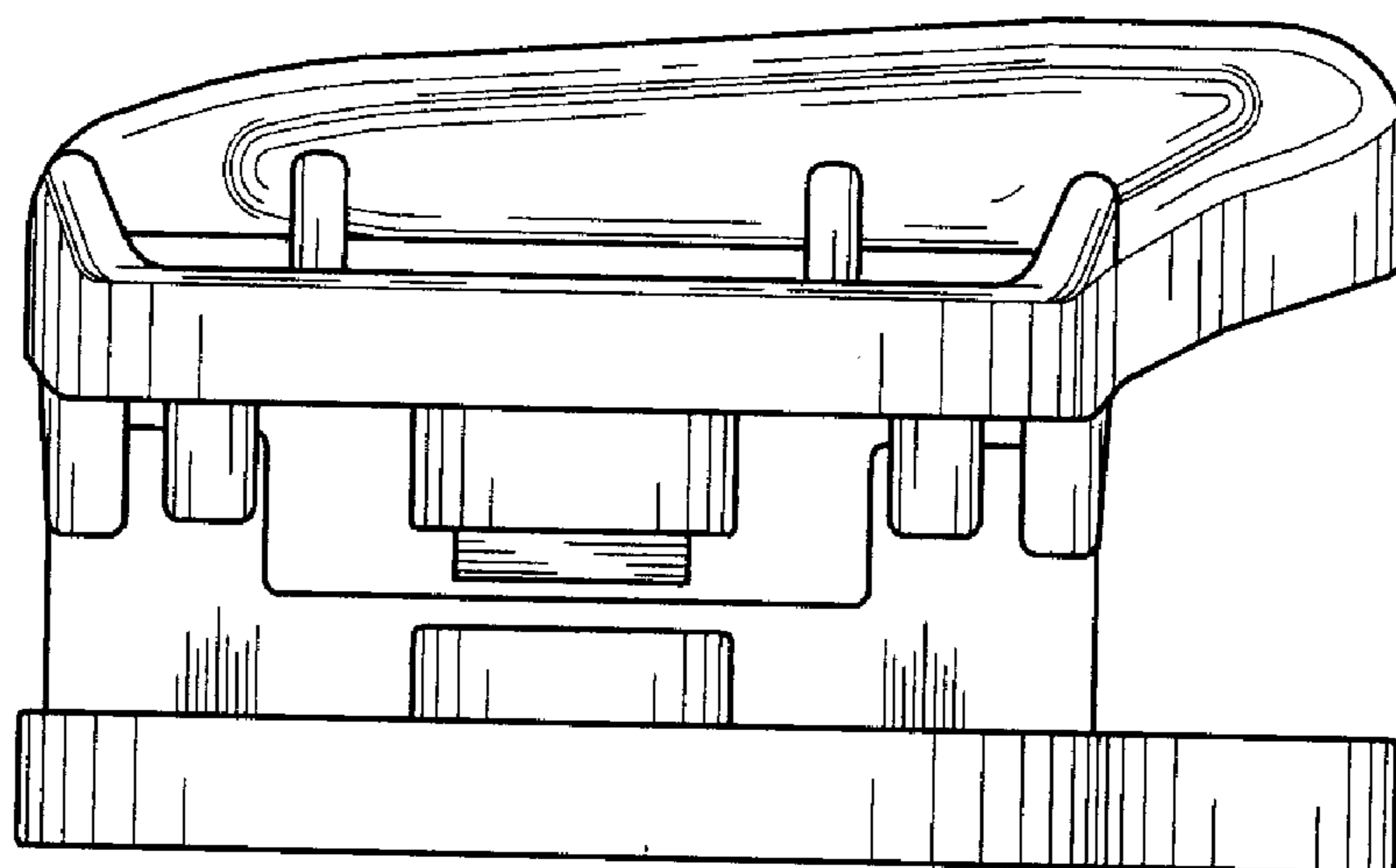


FIG. 2

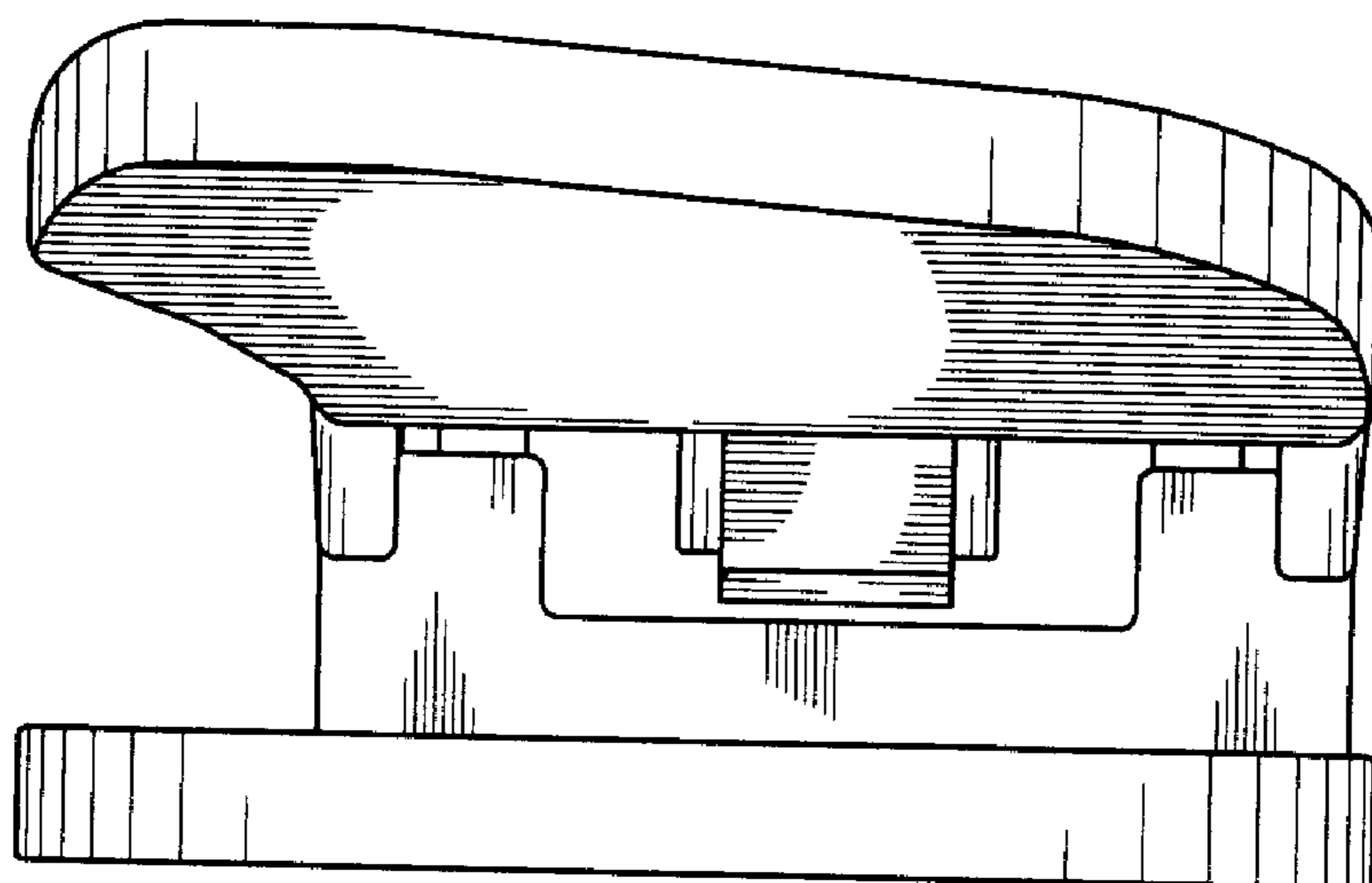


FIG. 3

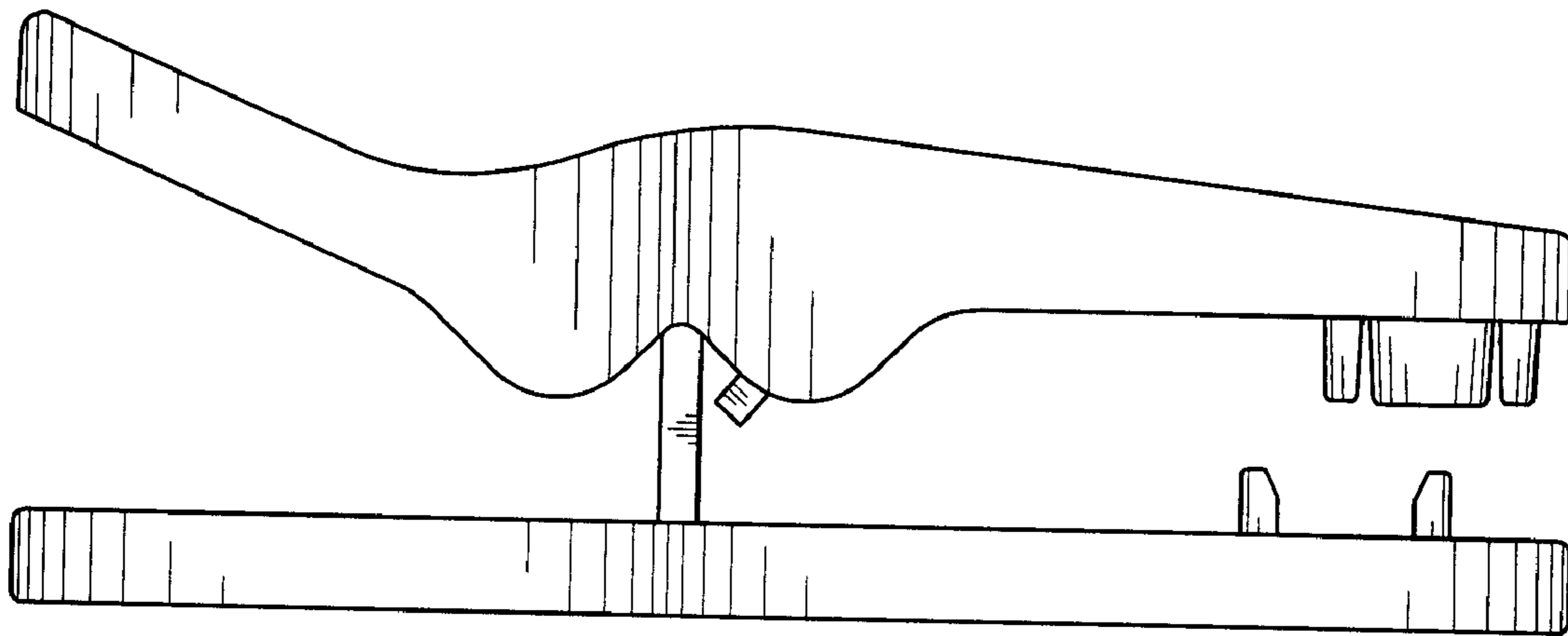


FIG. 4

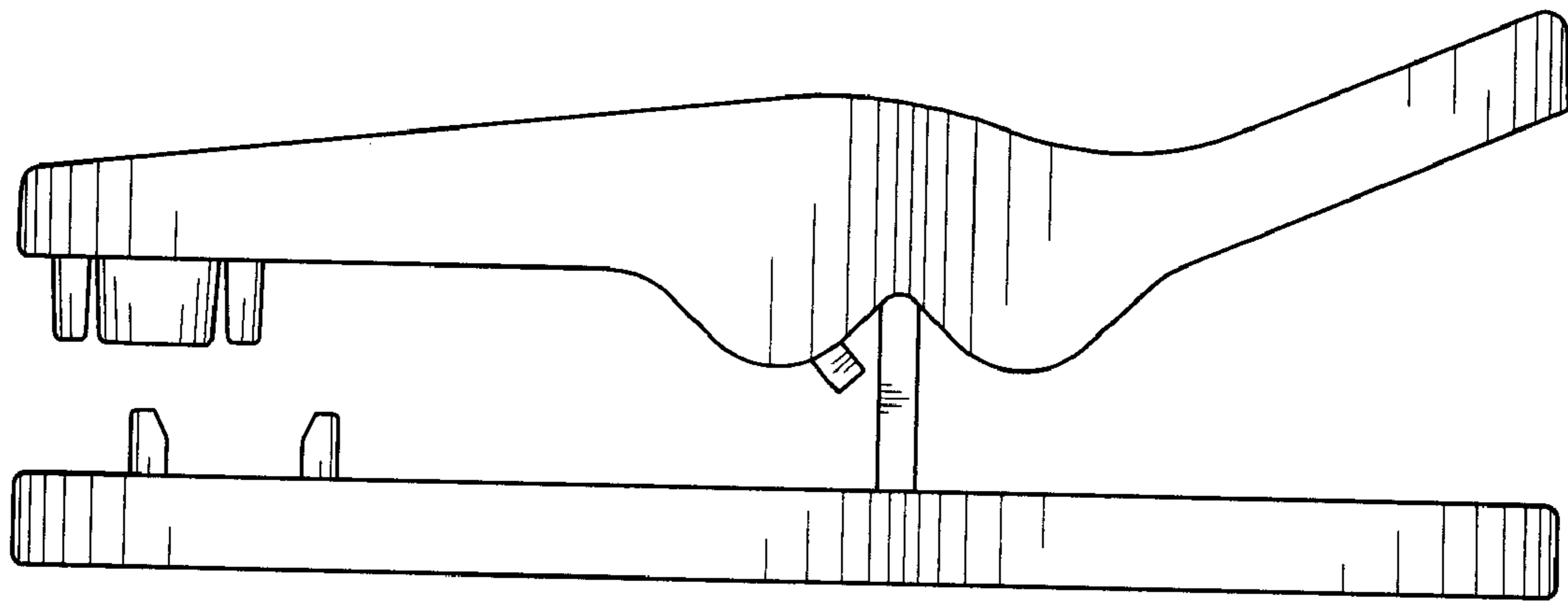


FIG. 5

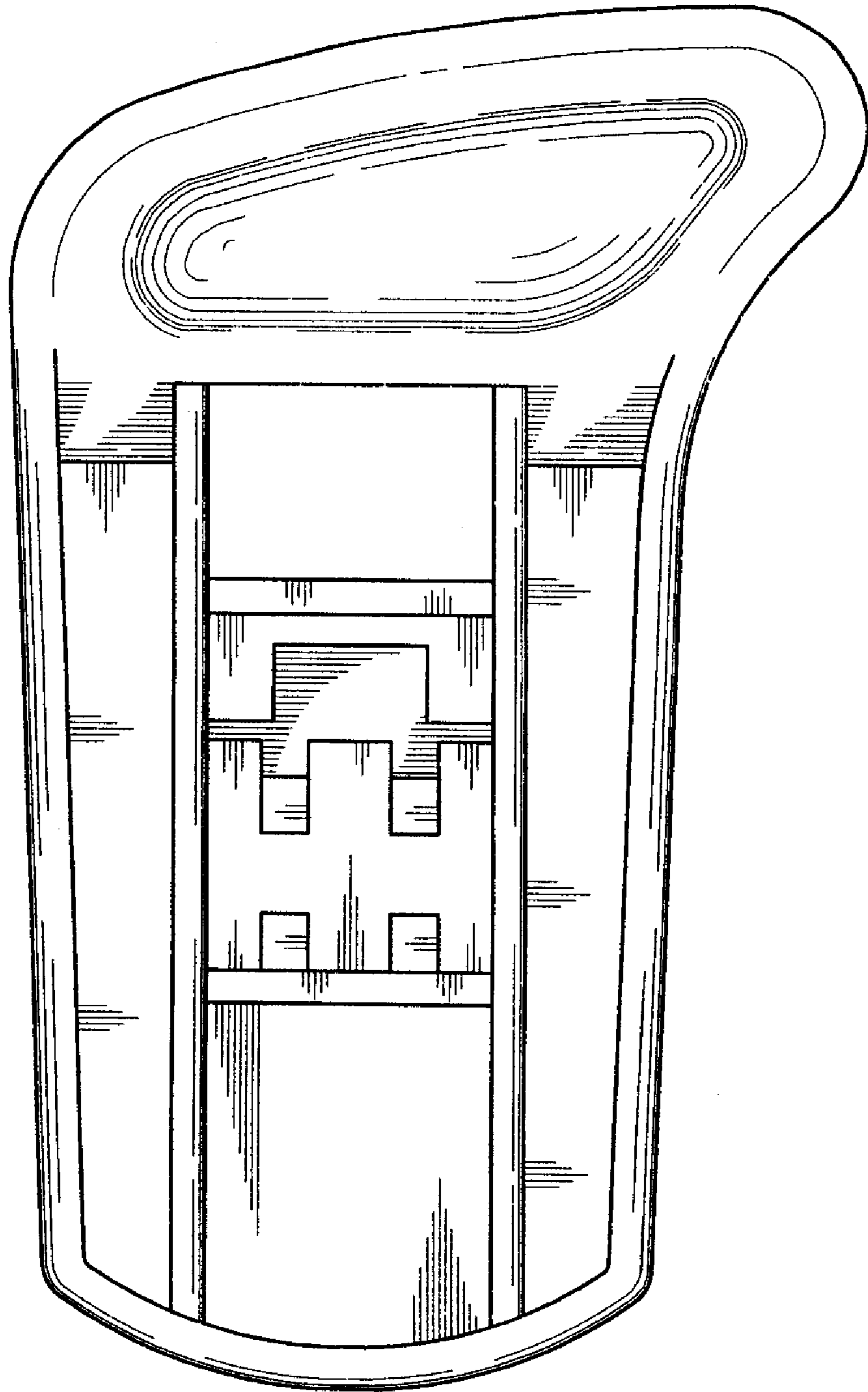


FIG. 6

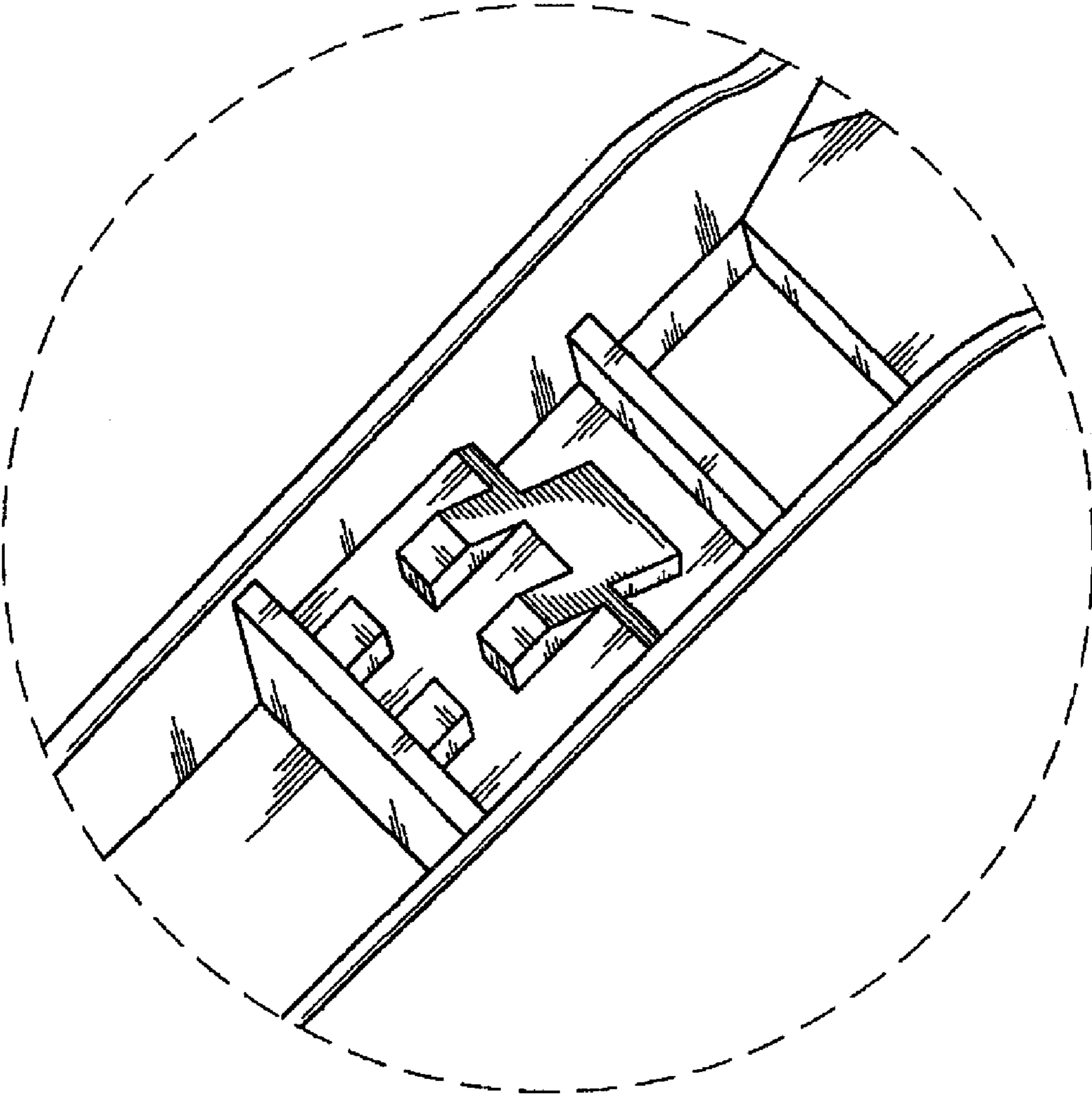


FIG. 6A

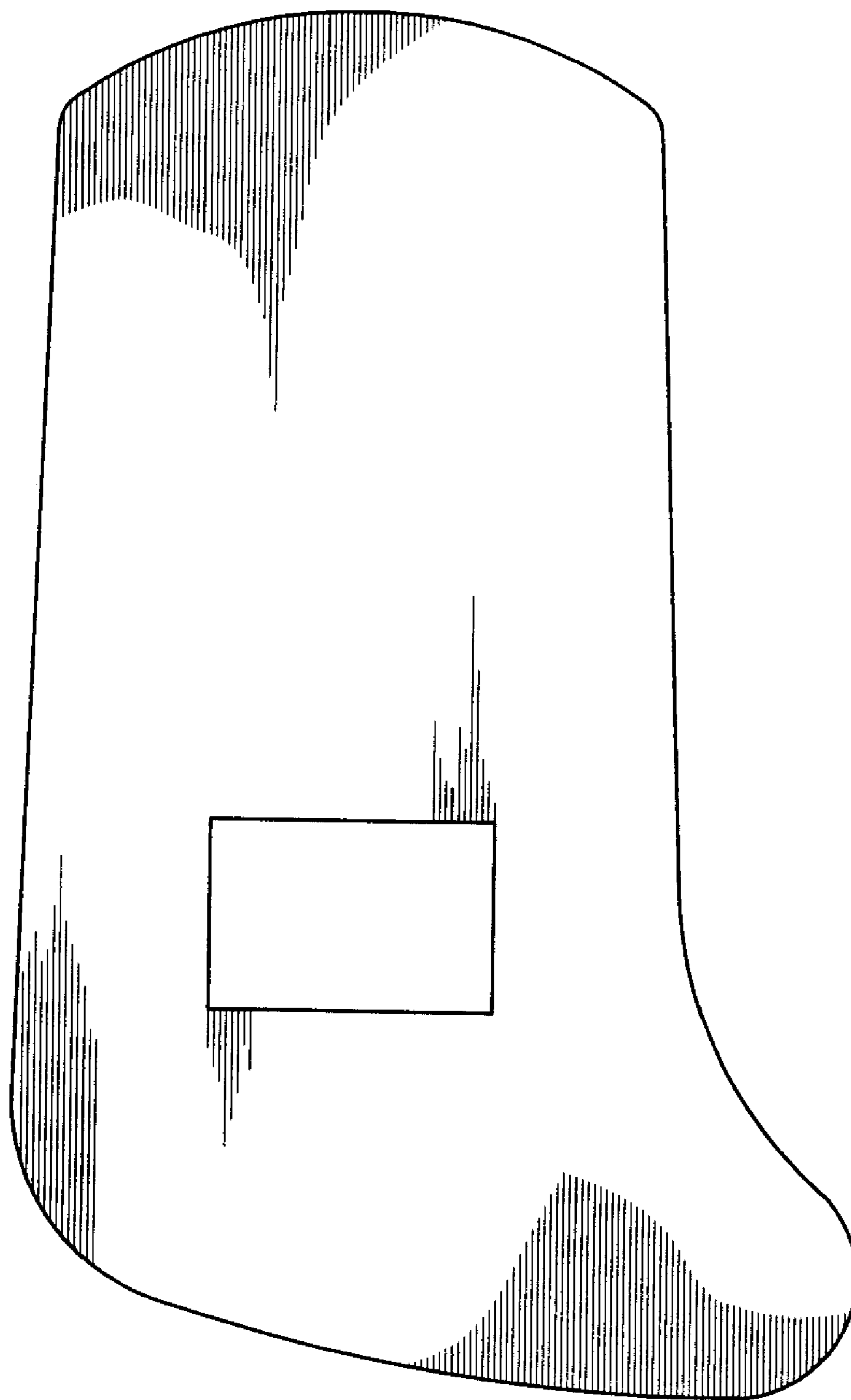


FIG. 7

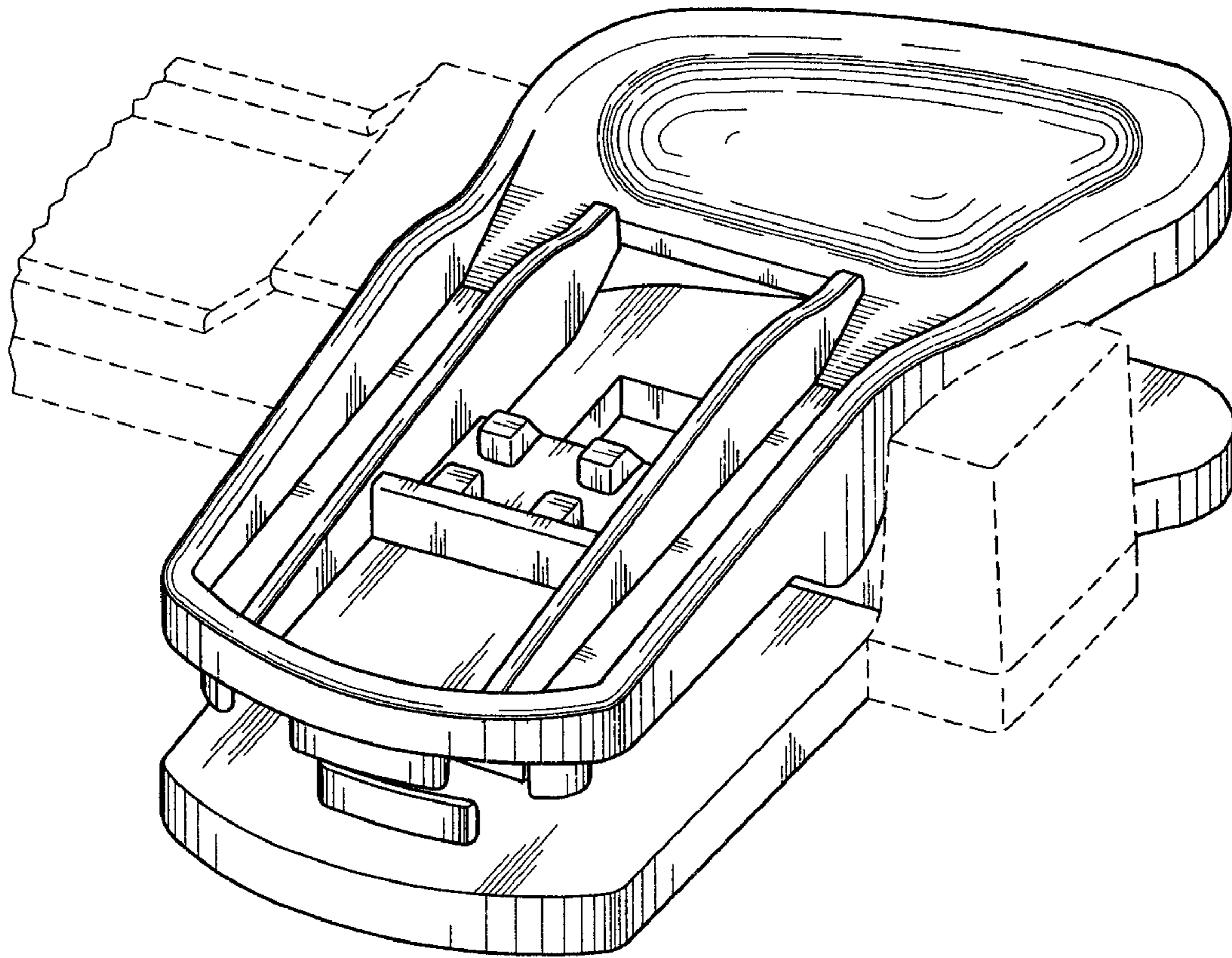


FIG. 8