



US00D551065S

(12) **United States Design Patent**
Hajianpour

(10) **Patent No.:** **US D551,065 S**

(45) **Date of Patent:** **** Sep. 18, 2007**

(54) **ARTICLE HOLDER HAVING A SUCTION CUP FOR ATTACHMENT TO A BATHROOM WALL**

(75) **Inventor:** **Zoya Hajianpour**, Fort Lauderdale, FL (US)

(73) **Assignee:** **Zoya, Inc.**, Sunrise, FL (US)

(**) **Term:** **14 Years**

(21) **Appl. No.:** **29/259,308**

(22) **Filed:** **May 4, 2006**

Related U.S. Application Data

(63) Continuation of application No. 29/206,344, filed on May 28, 2004, now Pat. No. Des. 527,616.

(51) **LOC (8) Cl.** **08-05**

(52) **U.S. Cl.** **D8/373**

(58) **Field of Classification Search** D8/373, D8/380; 248/206.2, 206.3, 206.5
See application file for complete search history.

(56) **References Cited**

U.S. PATENT DOCUMENTS

3,869,183 A	3/1975	Frank, Jr.
4,673,148 A	6/1987	Oliver
4,696,447 A	9/1987	Strecker
5,176,347 A	1/1993	Rouall

5,242,063 A	9/1993	Ericksen et al.
5,480,038 A	1/1996	Collier
D371,735 S *	7/1996	Motta D8/373
D391,009 S *	2/1998	Liu D26/138
D408,725 S *	4/1999	Adams D8/373
6,131,865 A *	10/2000	Adams 248/206.2
6,244,778 B1	6/2001	Chesbrough
6,308,923 B1 *	10/2001	Howard 248/205.5
6,402,104 B1	6/2002	Smith

* cited by examiner

Primary Examiner—Holly H. Baynham

(74) *Attorney, Agent, or Firm*—Ronald V. Davidge

(57) **CLAIM**

The ornamental design for an article holder having a suction cup for attachment to a bathroom wall, as shown and described.

DESCRIPTION

FIG. 1 is a top plan view of an article holder having a suction cup for attachment to a bathroom wall, showing the design;

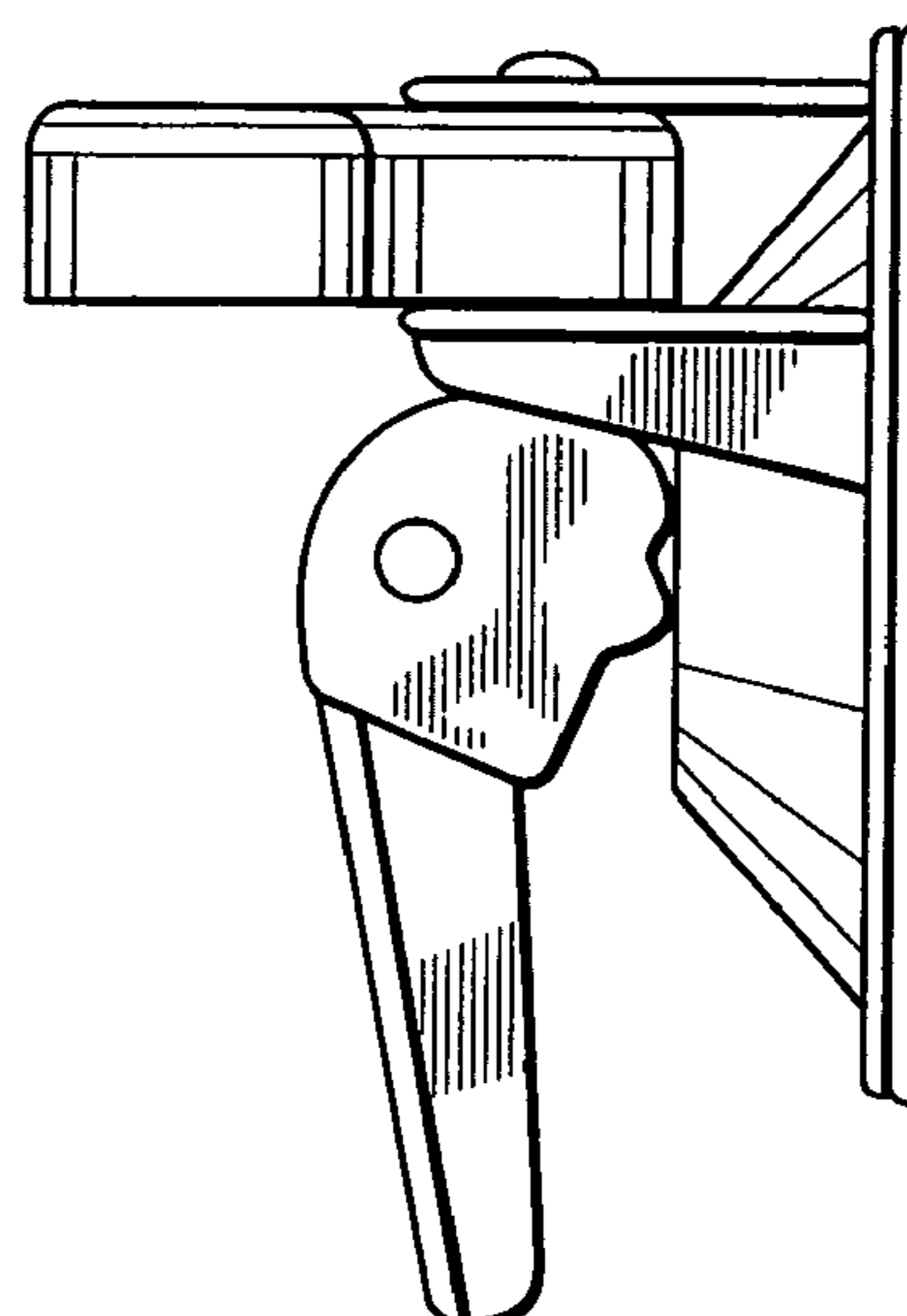
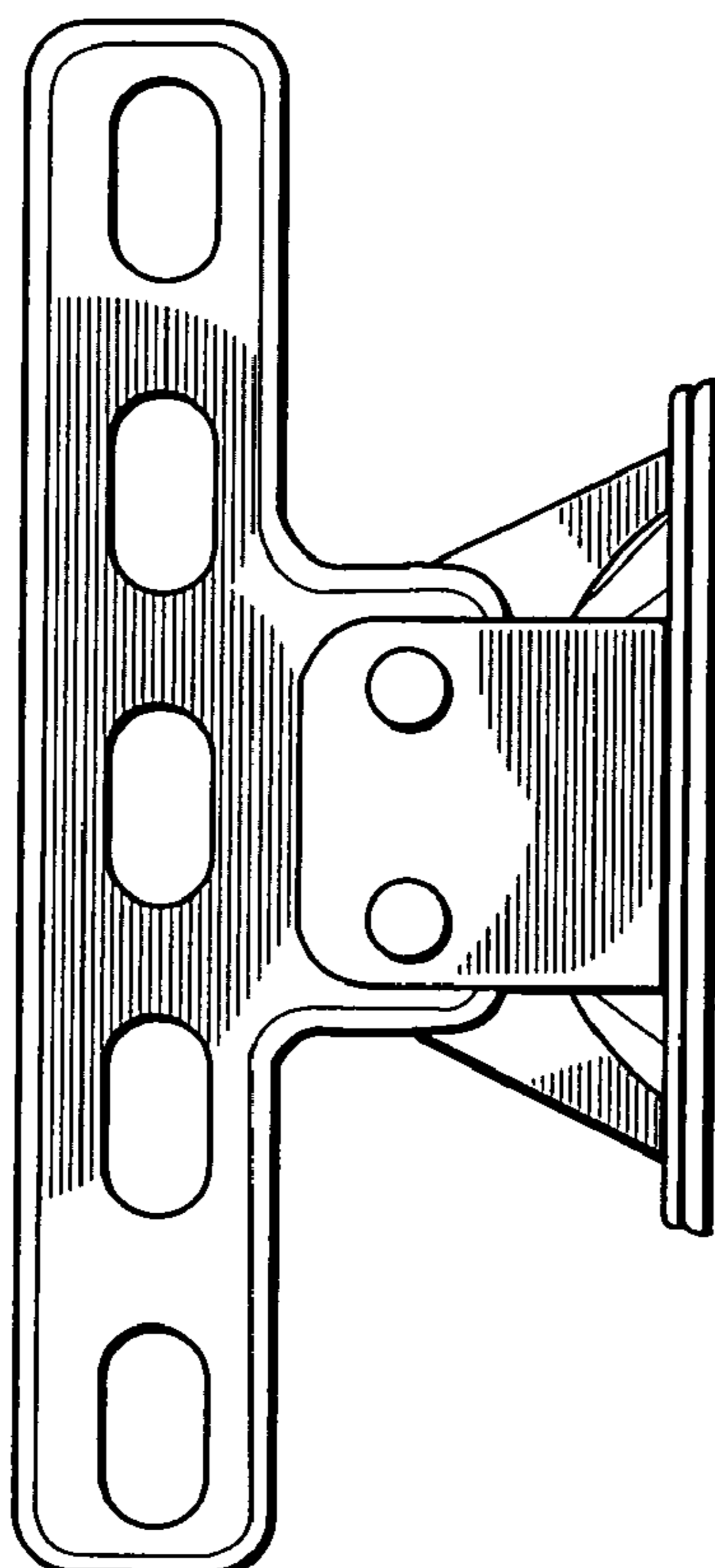
FIG. 2 is a right elevational view thereof, with the left elevational view being a mirror image of the right elevational view;

FIG. 3 is a bottom plan view thereof;

FIG. 4 is a front elevational thereof; and,

FIG. 5 is a rear elevational view thereof.

1 Claim, 2 Drawing Sheets



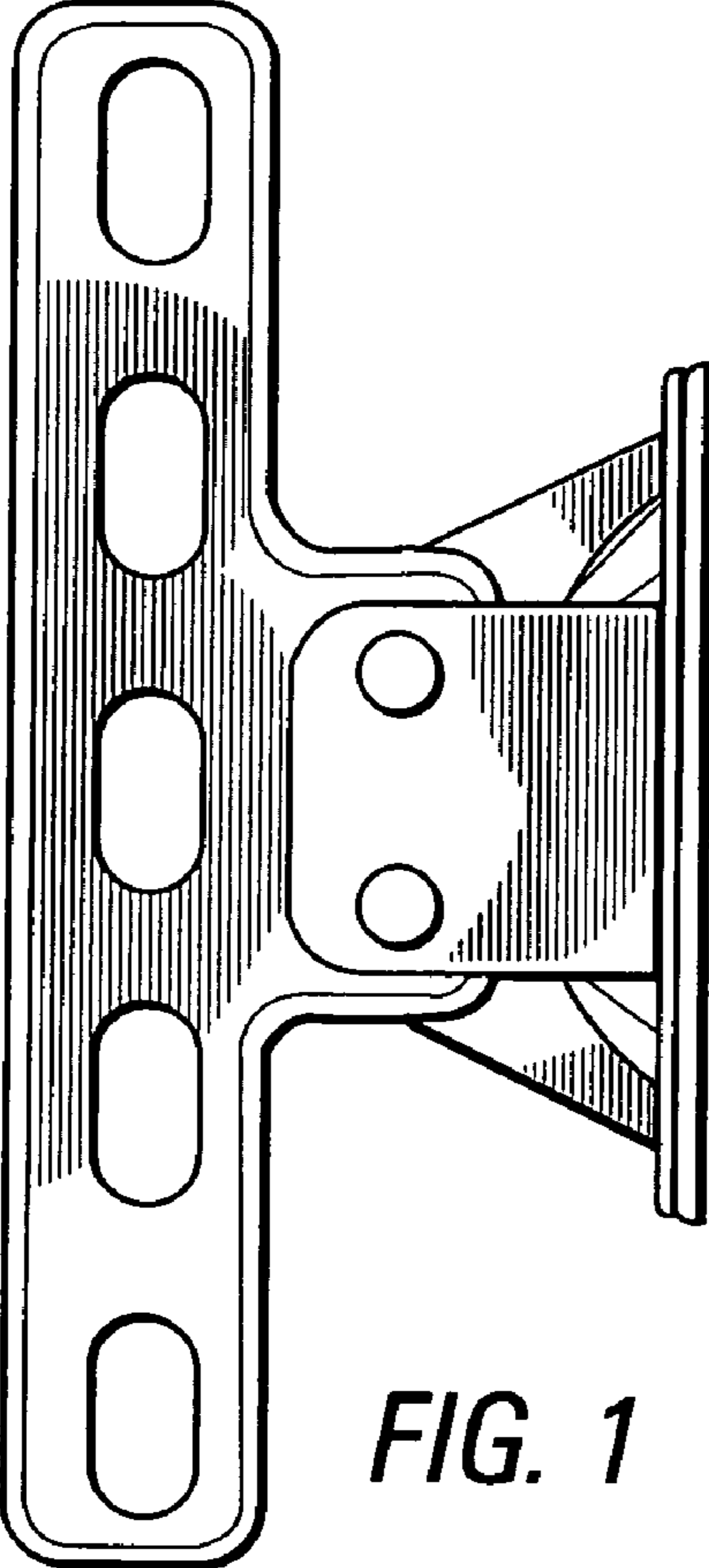


FIG. 1

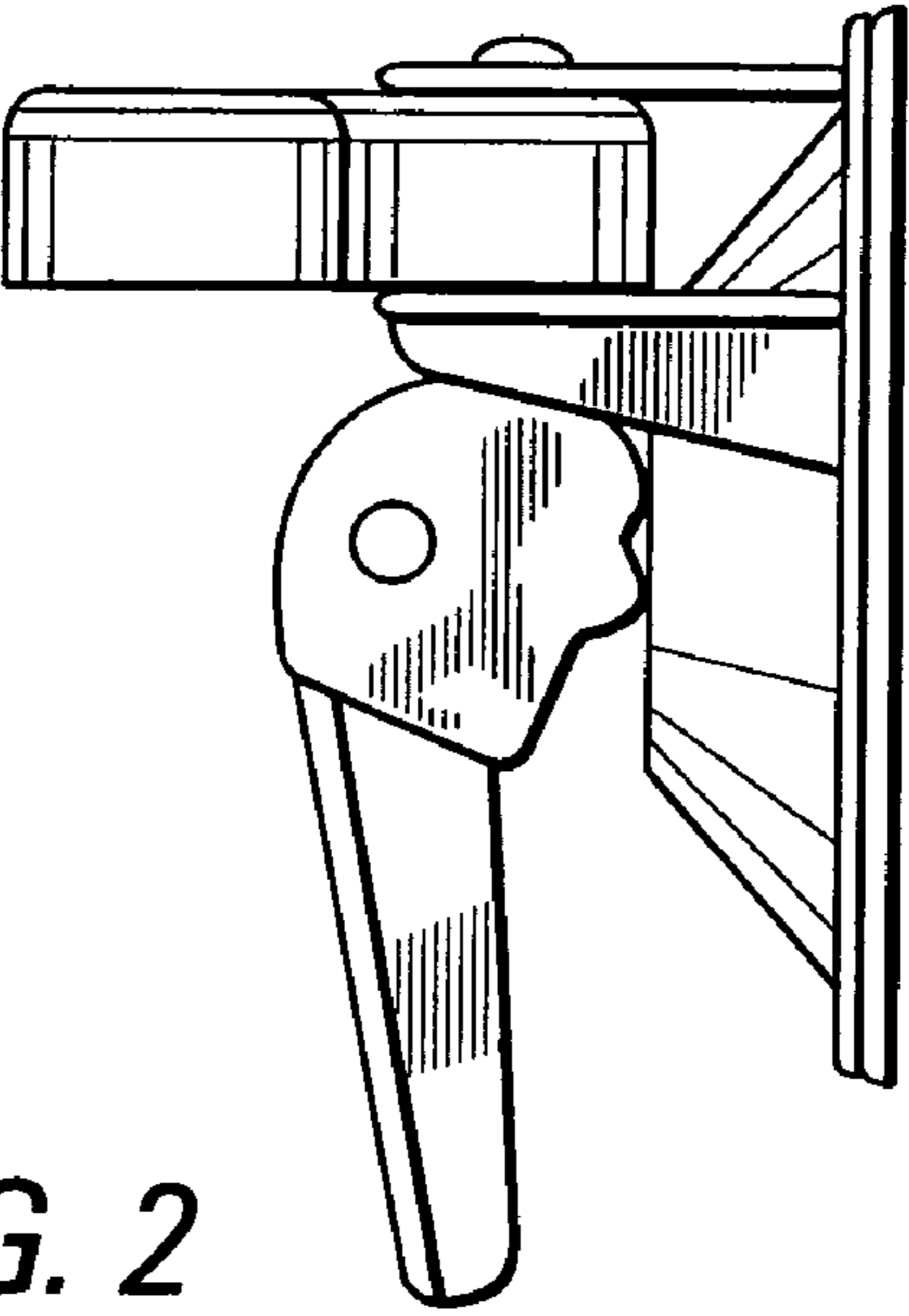


FIG. 2

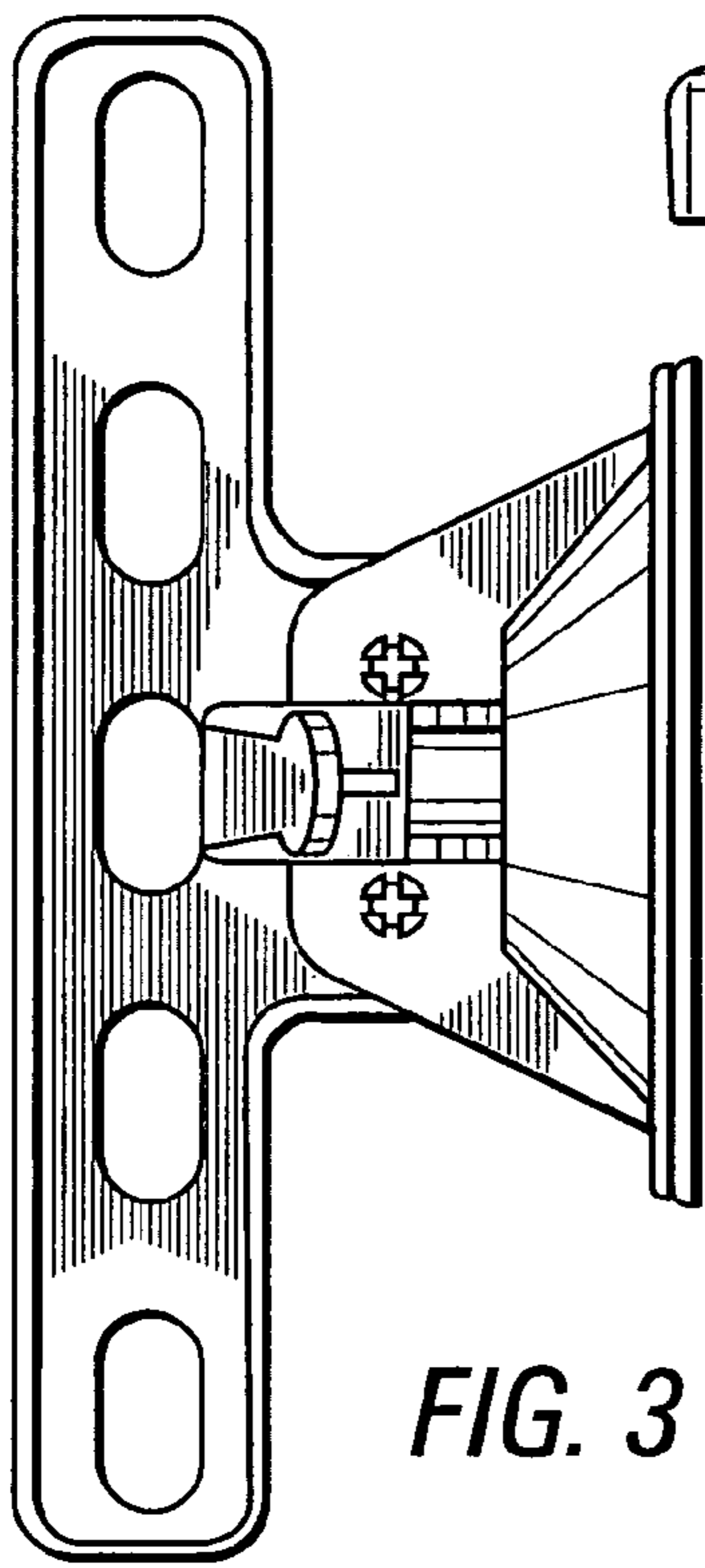


FIG. 3

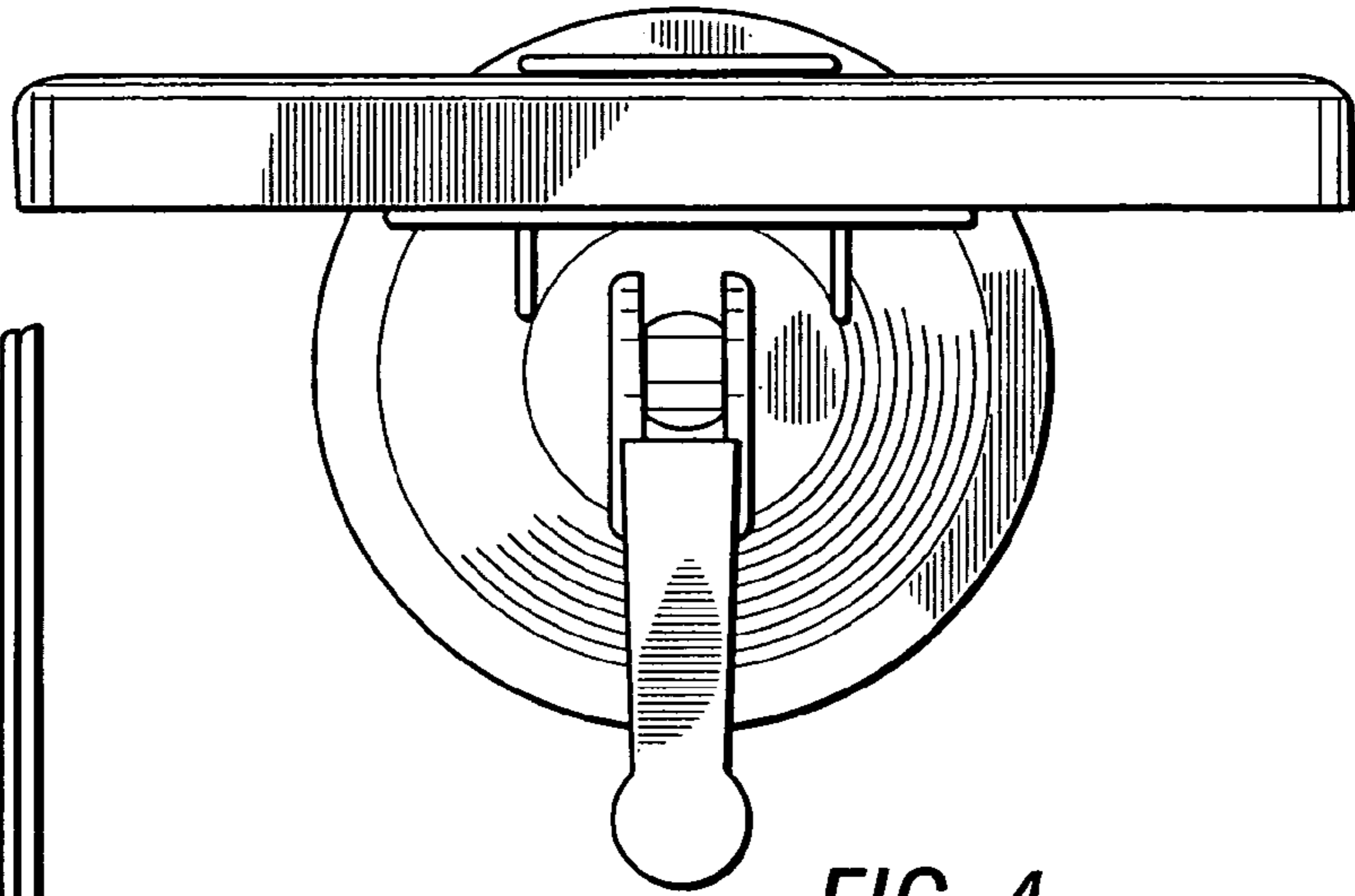


FIG. 4

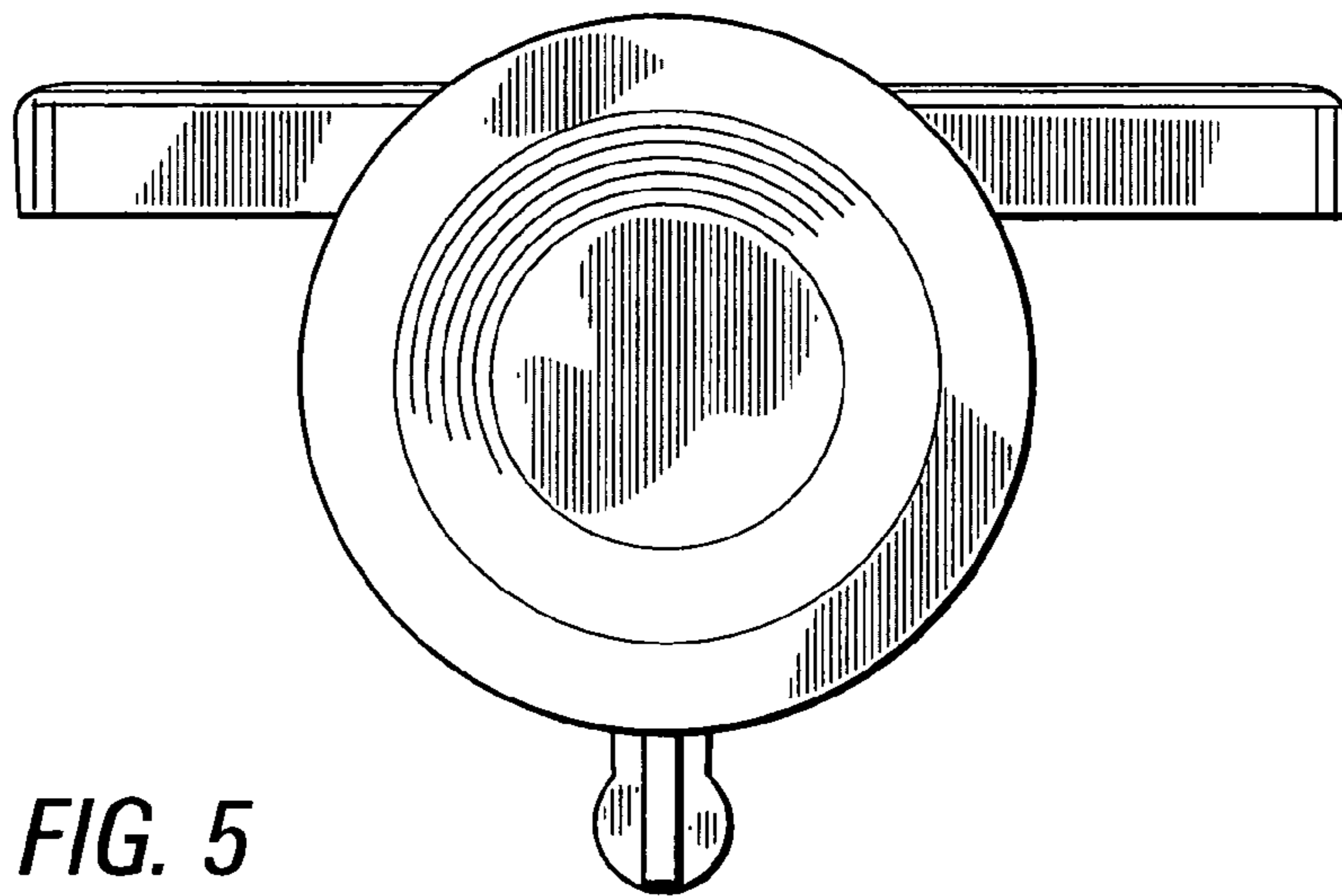


FIG. 5