



US00D551064S

(12) **United States Design Patent**
Humber et al.

(10) **Patent No.:** **US D551,064 S**

(45) **Date of Patent:** **** Sep. 18, 2007**

(54) **J-HOOK EXTENSION**

6,575,416 B1 * 6/2003 Avinger 248/307
D507,961 S * 8/2005 Goodman et al. D8/367

(75) Inventors: **Jeffrey A. Humber**, Memphis, TN
(US); **Steven R. Cole**, Collierville, TN
(US)

* cited by examiner

Primary Examiner—Holly H. Baynham

(73) Assignee: **IPS Corporation**, Collierville, TX (US)

(74) *Attorney, Agent, or Firm*—Gauthier & Connors, LLP

(**) Term: **14 Years**

(57) **CLAIM**

(21) Appl. No.: **29/236,765**

The ornamental design for a J-hook extension, as shown and described.

(22) Filed: **Aug. 22, 2005**

DESCRIPTION

(51) **LOC (8) Cl.** **08-05**

(52) **U.S. Cl.** **D8/373**

(58) **Field of Classification Search** D8/367;
248/307, 58–59, 62

See application file for complete search history.

FIG. 1 is a front perspective view of a J-hook extension showing our new design;

FIG. 2 is a side view thereof, the opposite side being a mirror image thereof;

FIG. 3 is an edge view thereof, the opposite edge being a mirror image thereof;

FIG. 4 is a bottom view thereof; and,

FIG. 5 is a top view thereof.

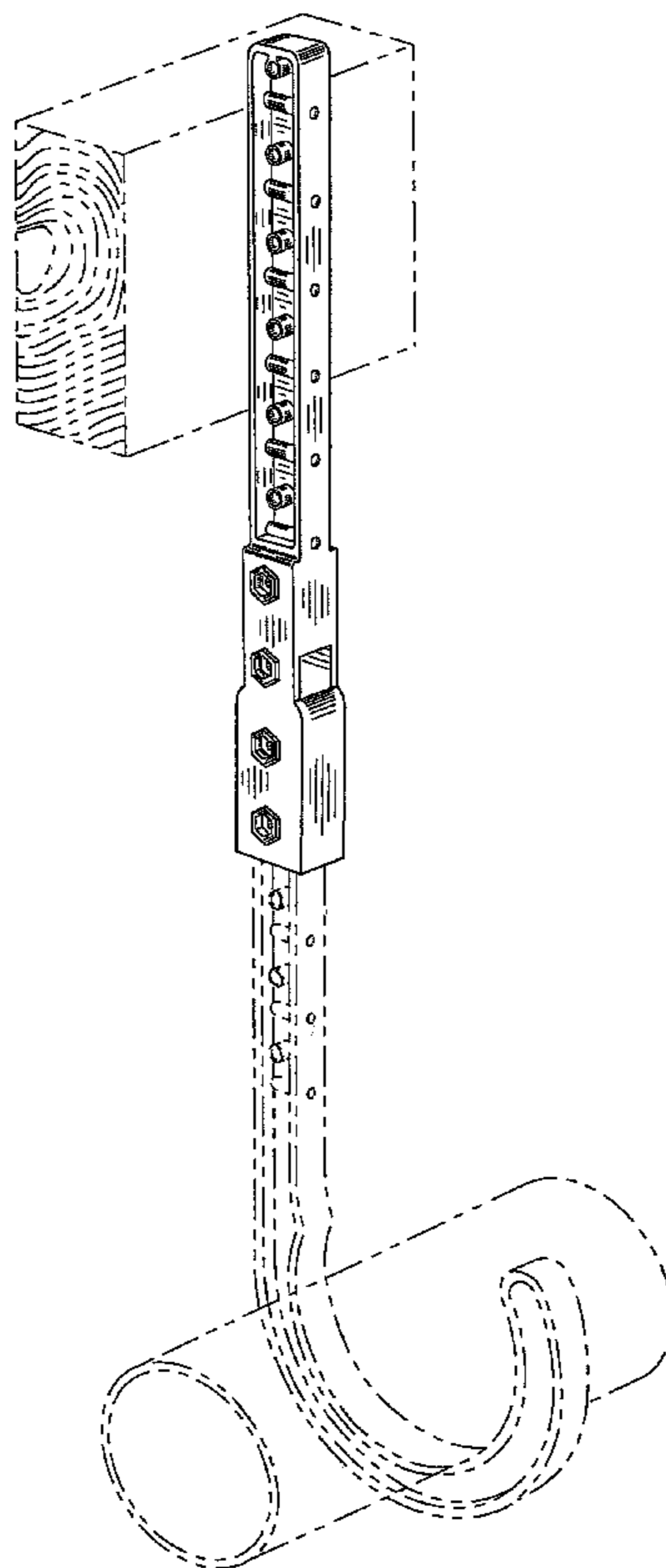
The broken line showing of a beam to which the extension is secured, a J- hook connected to the extension, and a pipe supported by the J-hook, are for illustrative purposes only and form no part of the claimed design.

(56) **References Cited**

U.S. PATENT DOCUMENTS

| | | | | | |
|-----------|------|---------|----------------|-------|----------|
| 4,407,478 | A * | 10/1983 | Hodges | | 248/542 |
| D307,384 | S * | 4/1990 | Phillips | | D8/373 |
| D308,015 | S * | 5/1990 | Volpe et al. | | D8/367 |
| 5,385,320 | A * | 1/1995 | Ismert et al. | | 248/62 |
| 5,542,631 | A * | 8/1996 | Bruno | | 248/58 |
| 5,845,882 | A * | 12/1998 | Hodges et al. | | 248/59 |
| 5,890,683 | A * | 4/1999 | DePietro | | 248/58 |
| 6,311,851 | B1 * | 11/2001 | Knudsen et al. | | 211/13.1 |

1 Claim, 1 Drawing Sheet



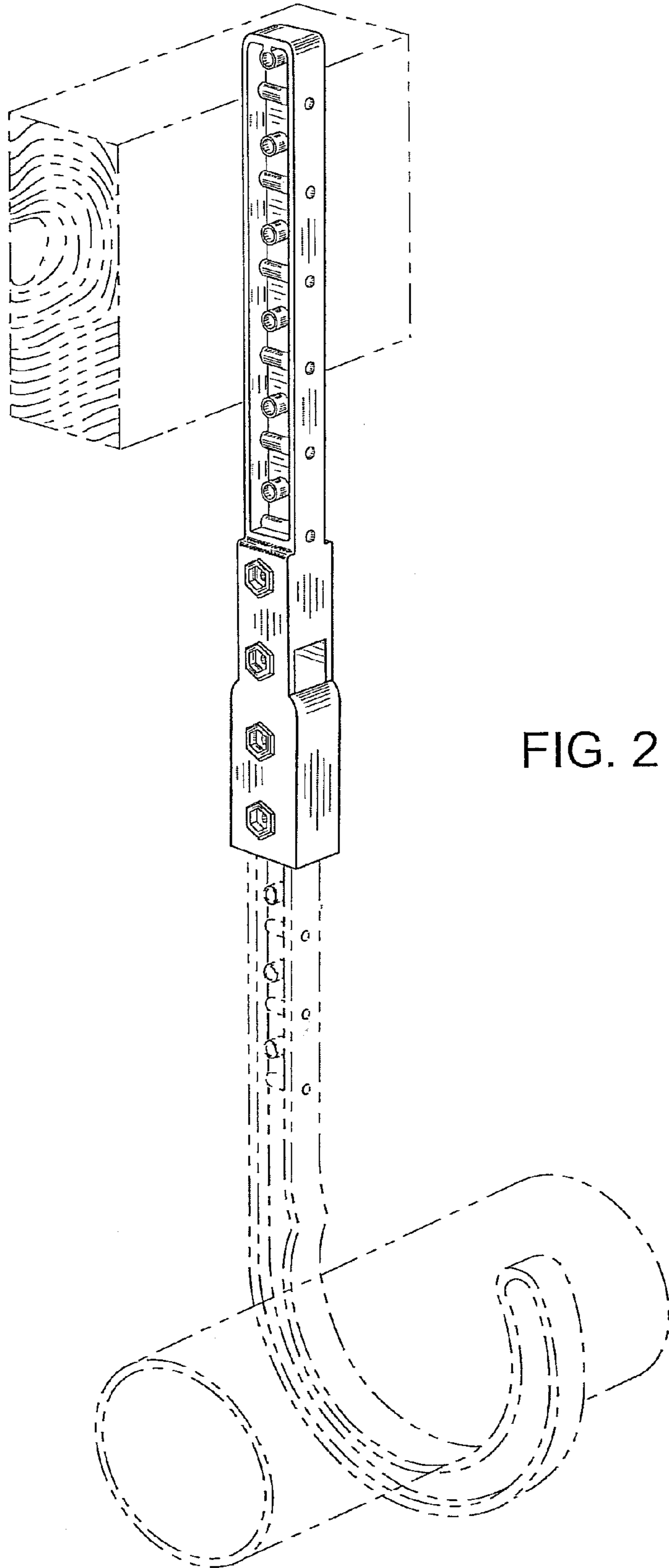


FIG. 1



FIG. 5

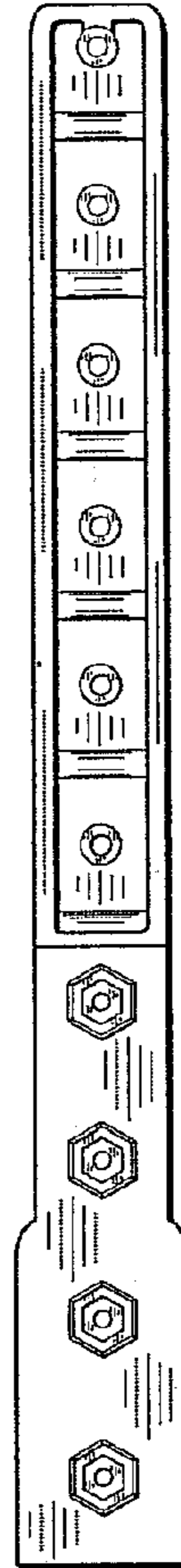


FIG. 2

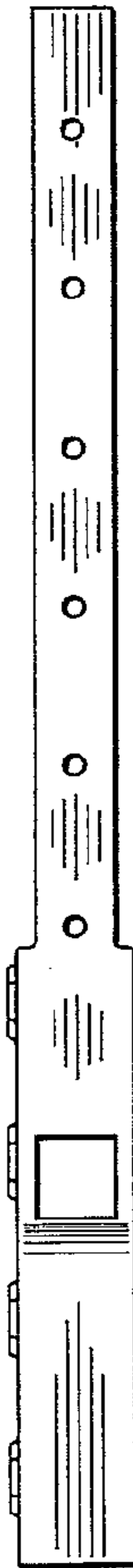


FIG. 3



FIG. 4