



US00D551063S

(12) **United States Design Patent**
Fraga

(10) **Patent No.:** **US D551,063 S**

(45) **Date of Patent:** **** Sep. 18, 2007**

(54) **TAPE MEASURER HOLDER**

(76) Inventor: **Juan Carlos Fraga**, 2840 N. 2nd St.,
North Fort Myers, FL (US) 33917

(**) Term: **14 Years**

(21) Appl. No.: **29/226,587**

(22) Filed: **Mar. 31, 2005**

(51) **LOC (8) Cl.** **08-05**

(52) **U.S. Cl.** **D8/373**

(58) **Field of Classification Search** D8/373;
D3/228; 248/301, 304, 339

See application file for complete search history.

(56) **References Cited**

U.S. PATENT DOCUMENTS

D361,713 S * 8/1995 Grant D8/373

D434,306 S * 11/2000 Brown D8/373

D465,724 S * 11/2002 Goodman et al. D8/367

* cited by examiner

Primary Examiner—Holly H. Baynham

(74) *Attorney, Agent, or Firm*—Albert Bordas, P.A.

(57) **CLAIM**

The ornamental design for a tape measurer holder, as shown and described.

DESCRIPTION

FIG. 1 is a side perspective of a tape measurer holder view thereof;

FIG. 2 is a top plan view thereof;

FIG. 3 is a front elevational view thereof;

FIG. 4 is a bottom plan view thereof;

FIG. 5 is a rear elevational view thereof;

FIG. 6 is an opposite side elevational view thereof; and,

FIG. 7 is a side elevational view thereof.

The broken line showing of a tape measurer is included for the purpose of illustrating environment and forms no part of the claimed design.

1 Claim, 2 Drawing Sheets

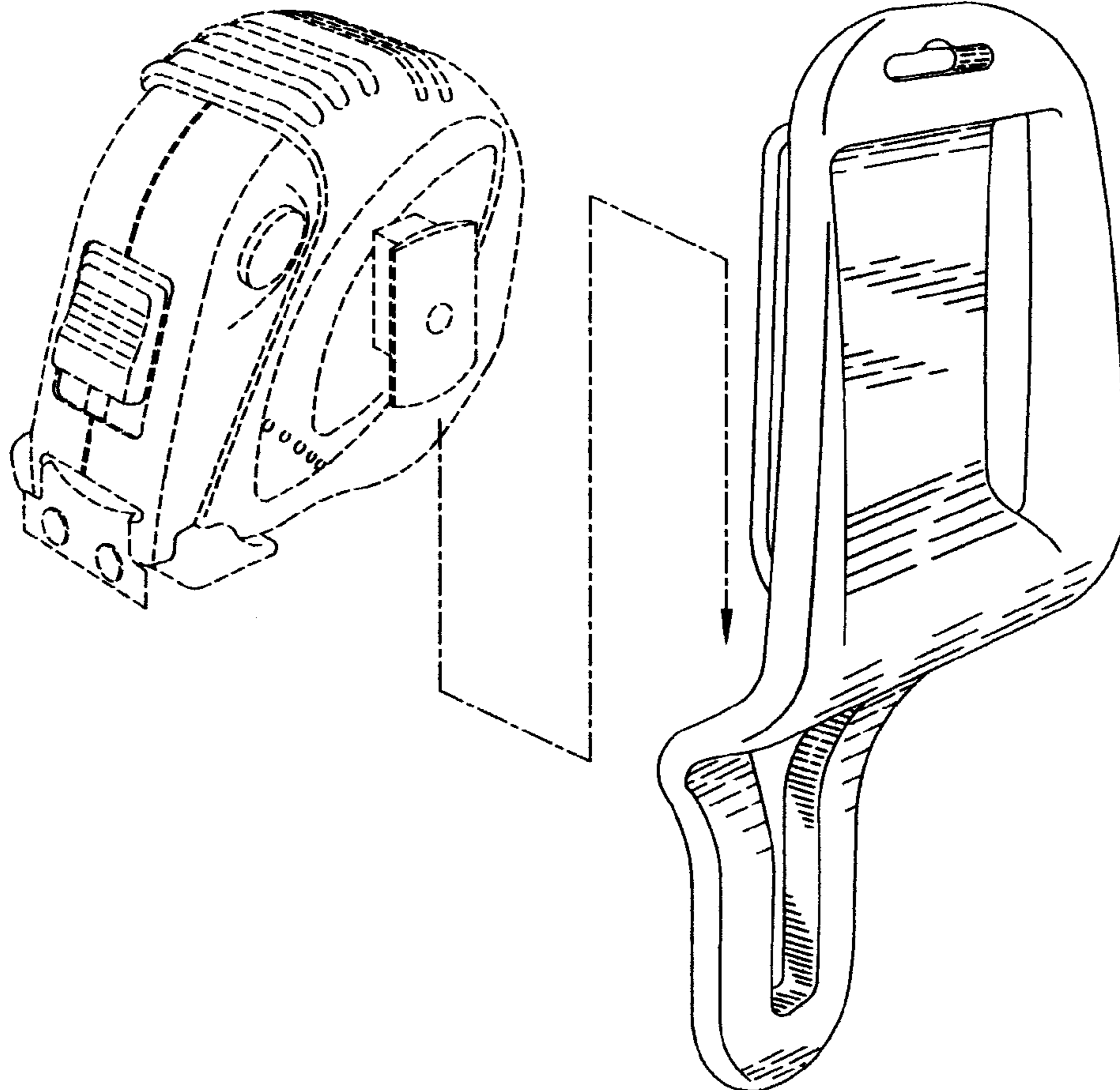


Fig 1

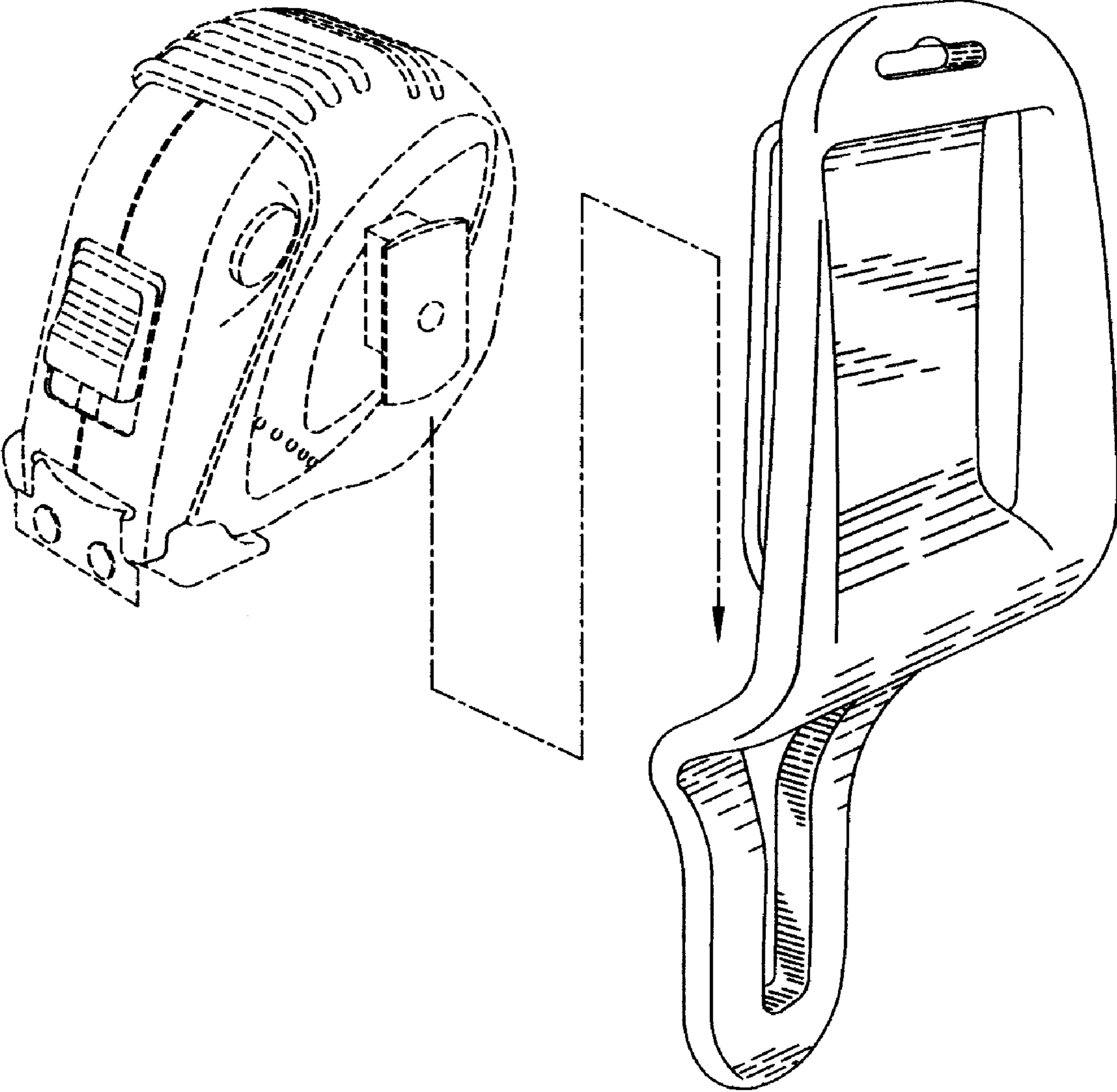


Fig 2

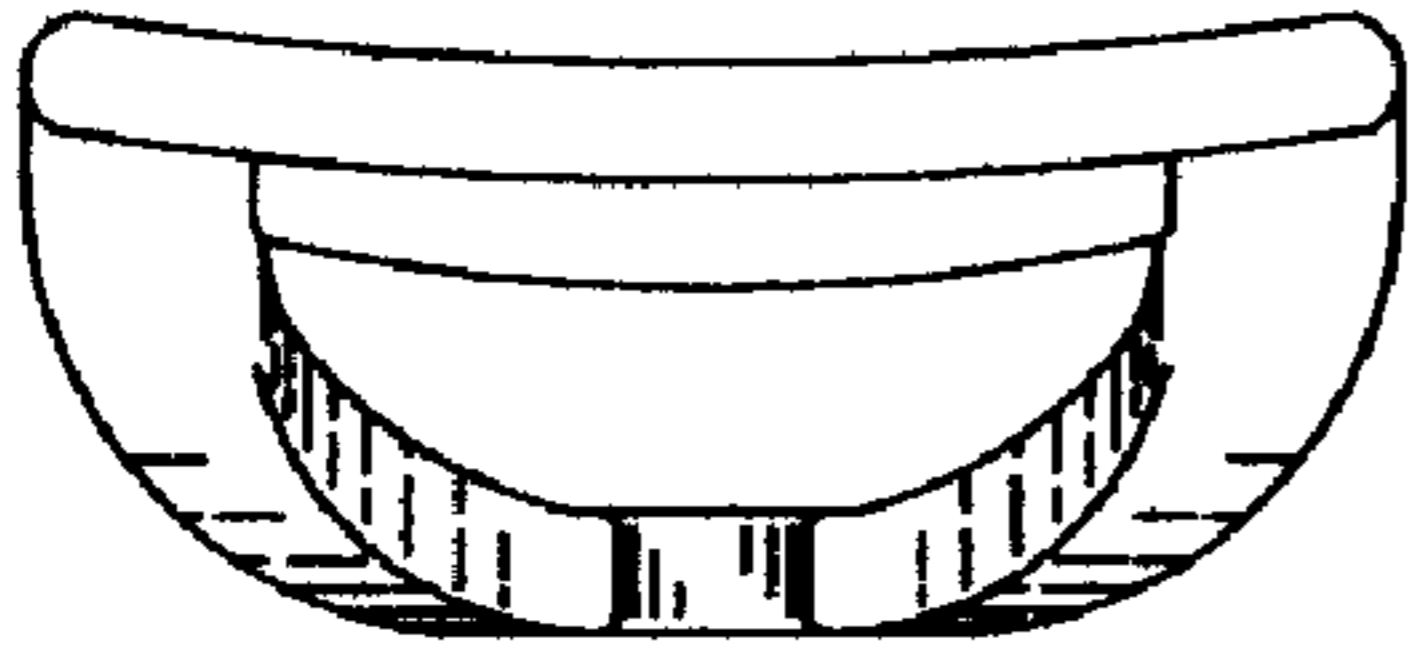


Fig 5

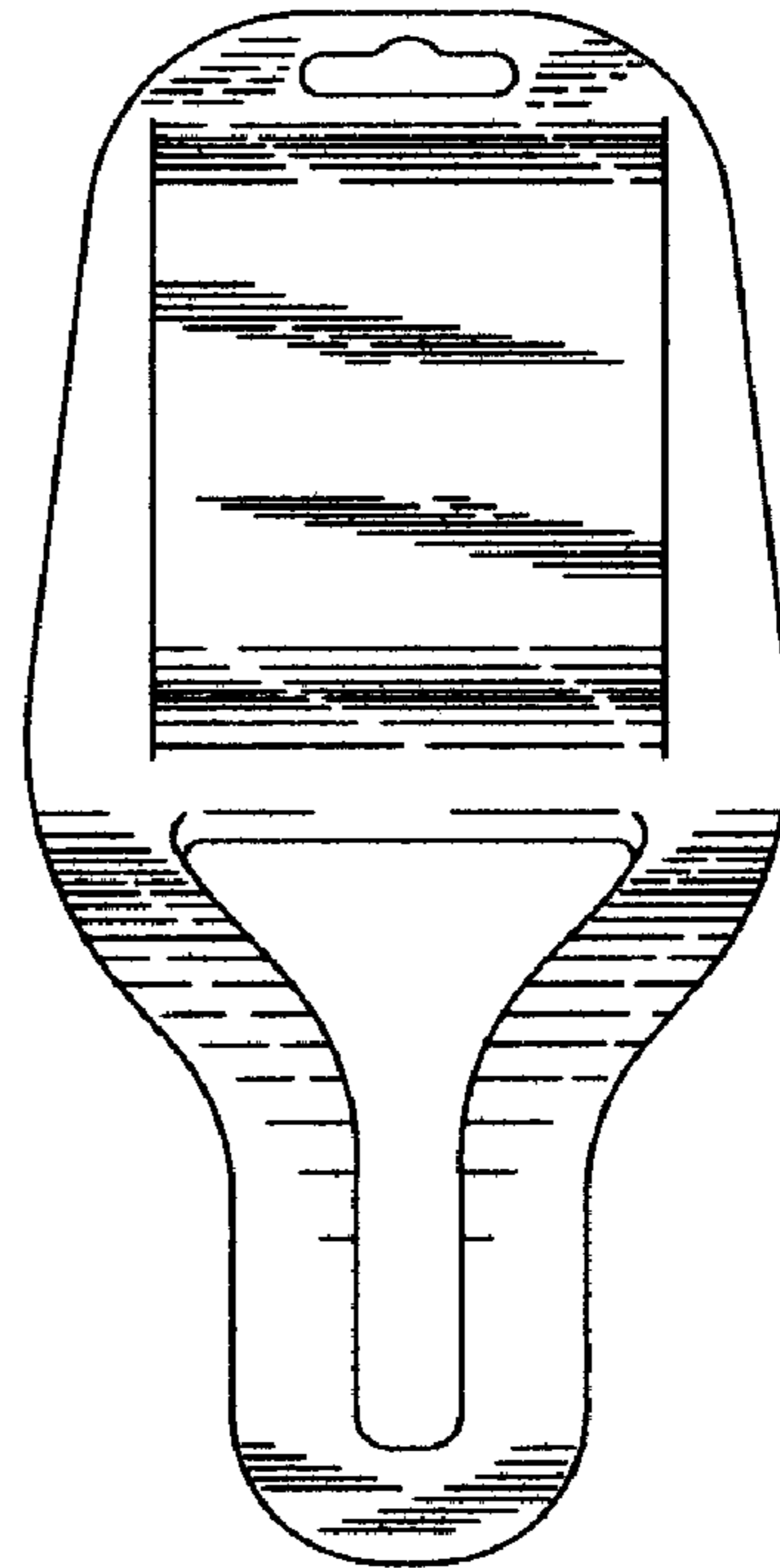


Fig 3

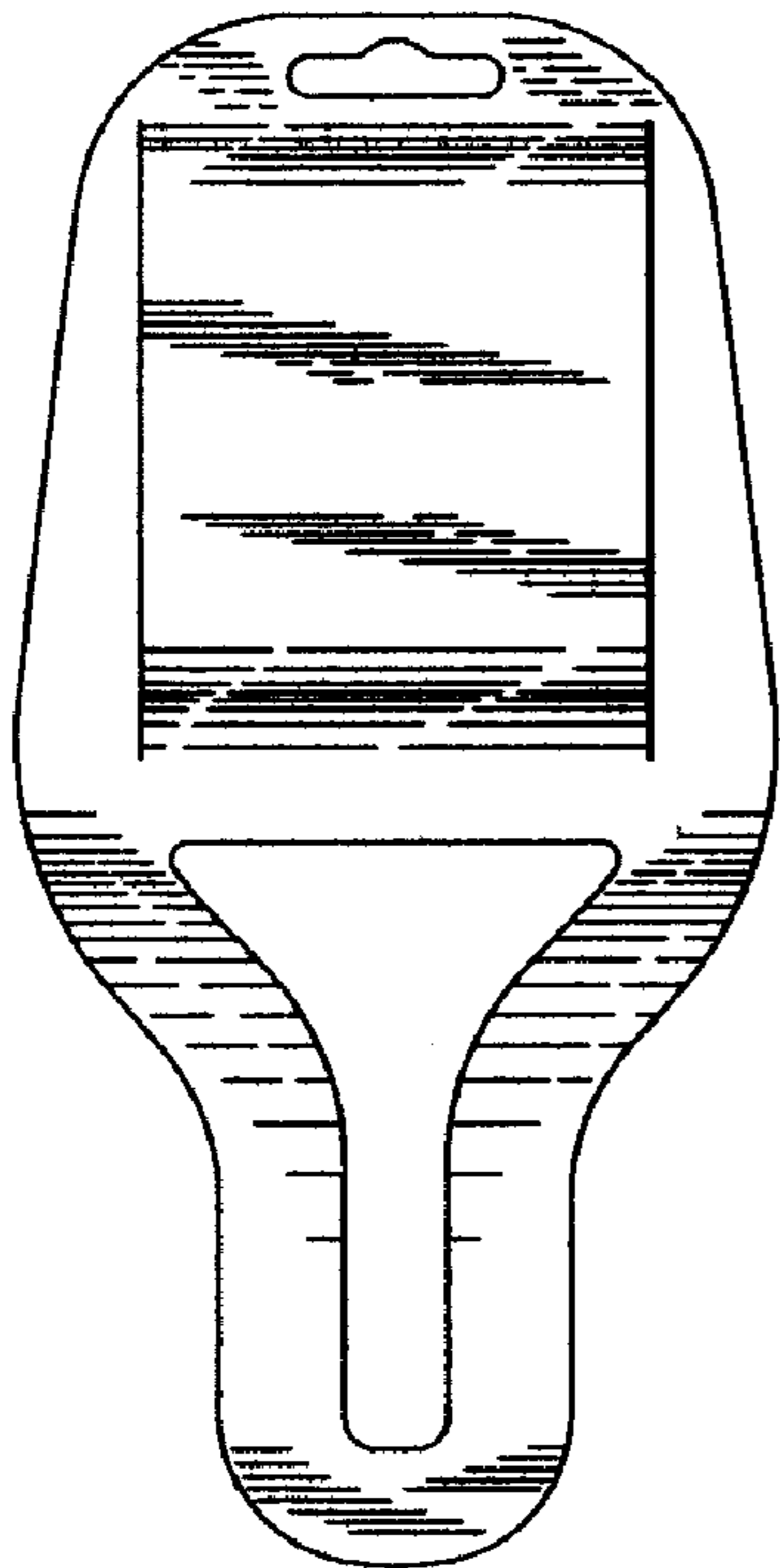


Fig 4

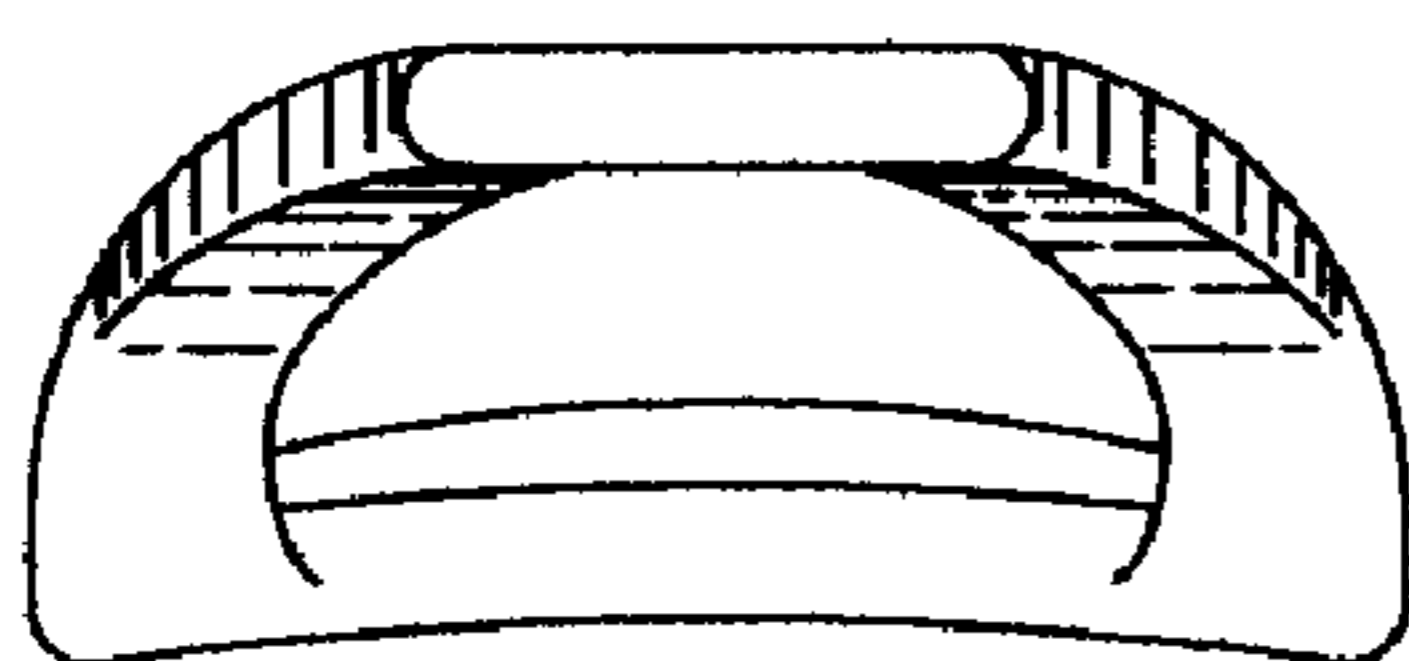


Fig 6

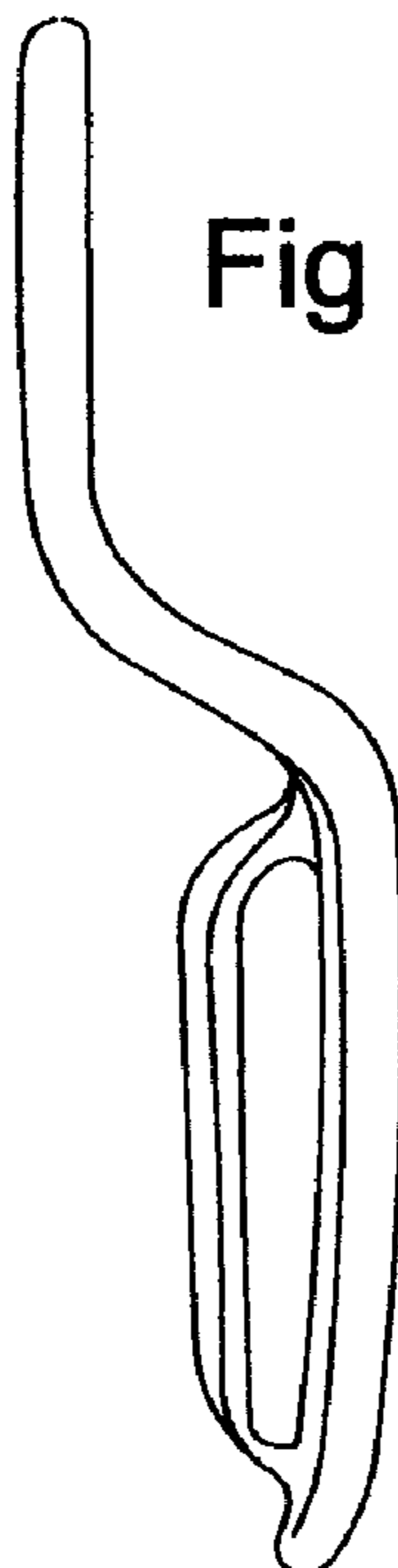


Fig 7

