



US00D551062S

(12) **United States Design Patent** (10) **Patent No.:** **US D551,062 S**  
**Nawrocki** (45) **Date of Patent:** **\*\* Sep. 18, 2007**

(54) **BRACING FOR A HOOK**

(75) Inventor: **John Richard Nawrocki**, Ocala, FL (US)

(73) Assignee: **Clairson, Inc.**, Newark, DE (US)

(\*\*) Term: **14 Years**

(21) Appl. No.: **29/242,042**

(22) Filed: **Nov. 4, 2005**

(51) **LOC (8) Cl.** ..... **08-05**

(52) **U.S. Cl.** ..... **D8/367; D8/373**

(58) **Field of Classification Search** ..... D8/367, D8/372; 248/302-303, 220.41, 220.42; 211/113  
See application file for complete search history.

(56) **References Cited**

U.S. PATENT DOCUMENTS

401,683	A *	4/1889	Buell	.....	248/303
844,459	A	2/1907	McCausland		
1,111,304	A	9/1914	Forester		
2,760,648	A	8/1956	Van Dusen		
3,229,823	A	1/1966	Hummer		
3,315,816	A	4/1967	Mallory		
3,452,954	A	7/1969	Lucietta et al.		
3,495,718	A	2/1970	Romero		
3,532,225	A	10/1970	Reed		
3,631,821	A	1/1972	Zachariou		
3,939,985	A	2/1976	Hochman		
3,985,325	A	10/1976	Ginsburg et al.		
4,026,508	A	5/1977	Ziegler		
4,113,109	A	9/1978	Donnelli et al.		
4,151,917	A	5/1979	Pugh		
4,191,110	A	3/1980	Klukos		
4,854,535	A	8/1989	Winter et al.		
5,009,381	A	4/1991	Hermanson		
5,082,125	A	1/1992	Ninni		
D357,403	S *	4/1995	Goodman et al.	.....	D8/372
D406,485	S *	3/1999	Paikos et al.	.....	D6/566
5,975,318	A	11/1999	Jay		
6,402,108	B1	6/2002	Remmers		

D466,396	S *	12/2002	Snell	.....	D8/372
D479,796	S *	9/2003	Snell	.....	D8/372
2005/0011420	A1	1/2005	Costa et al.		
2005/0145588	A1	7/2005	Stitchick et al.		
2005/0150850	A1	7/2005	Stitchick et al.		

OTHER PUBLICATIONS

5 pages from <http://lehighgroup.com>, accessed on Dec. 26, 2005. U.S. Appl. No. 60/434,470, filed Dec. 18, 2002, Costa et al.

\* cited by examiner

Primary Examiner—Holly H. Baynham

(74) Attorney, Agent, or Firm—Harness, Dickey & Pierce, P.L.C.

(57) **CLAIM**

The ornamental design for a bracing for a hook, as shown and described.

**DESCRIPTION**

FIG. 1 is a front perspective view of a bracing for a hook, showing my new design;

FIG. 2 is a back perspective view thereof;

FIG. 3 is a right side elevation view thereof;

FIG. 4 is a left side elevation view thereof;

FIG. 5 is a front elevation view thereof;

FIG. 6 is a back elevation view thereof;

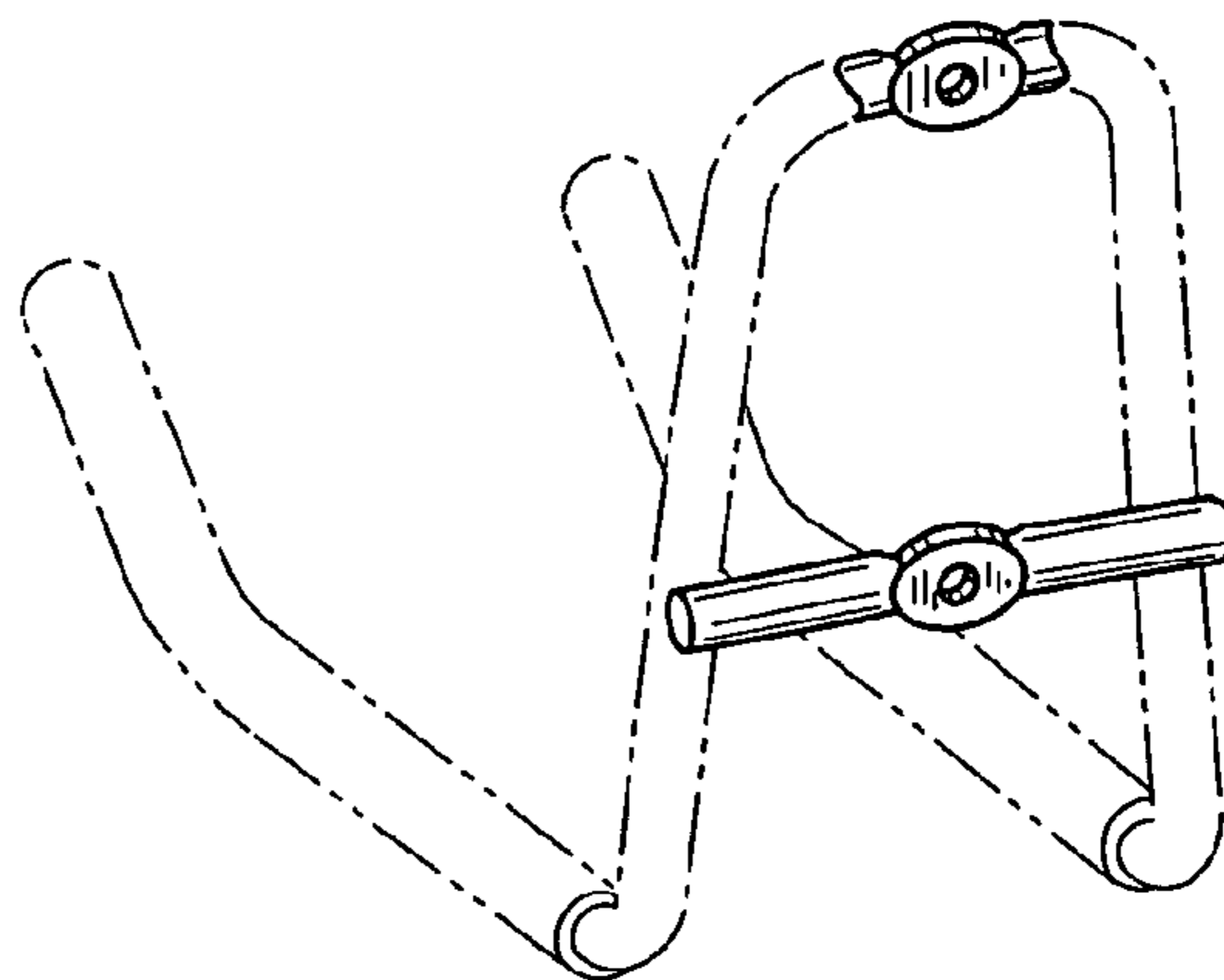
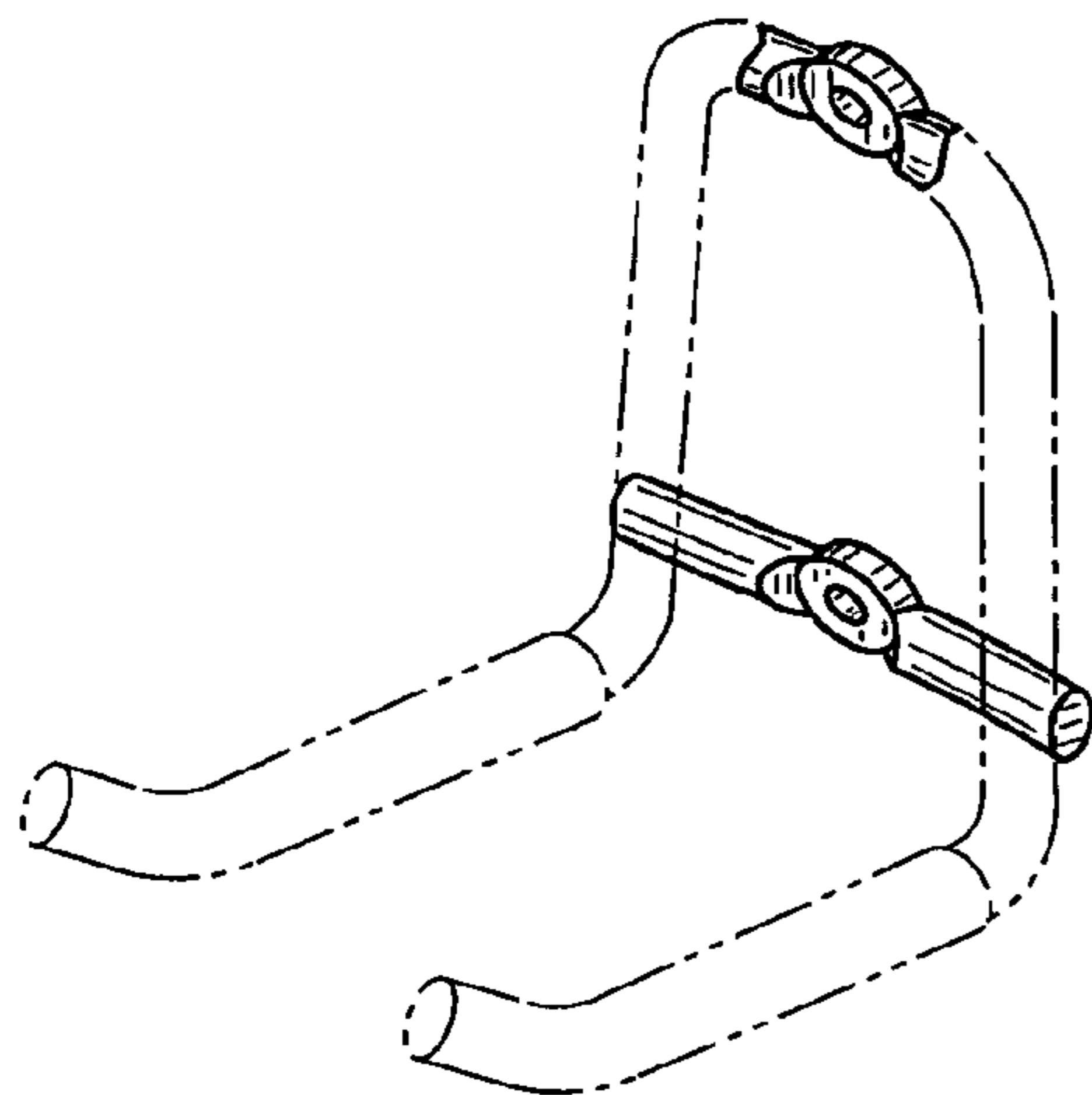
FIG. 7 is a top plan view thereof;

FIG. 8 is a bottom plan view of thereof; and,

FIG. 9 is a perspective view showing the bracing for a hook of FIGS. 1 through 8 with mechanical fasteners aligned for engagement with the fastener holes of the bracing for a hook, that can, for example, be used for mounting the hook to a support surface.

The details shown in broken lines are for illustrative purposes only and form no part of the claimed design.

**1 Claim, 2 Drawing Sheets**



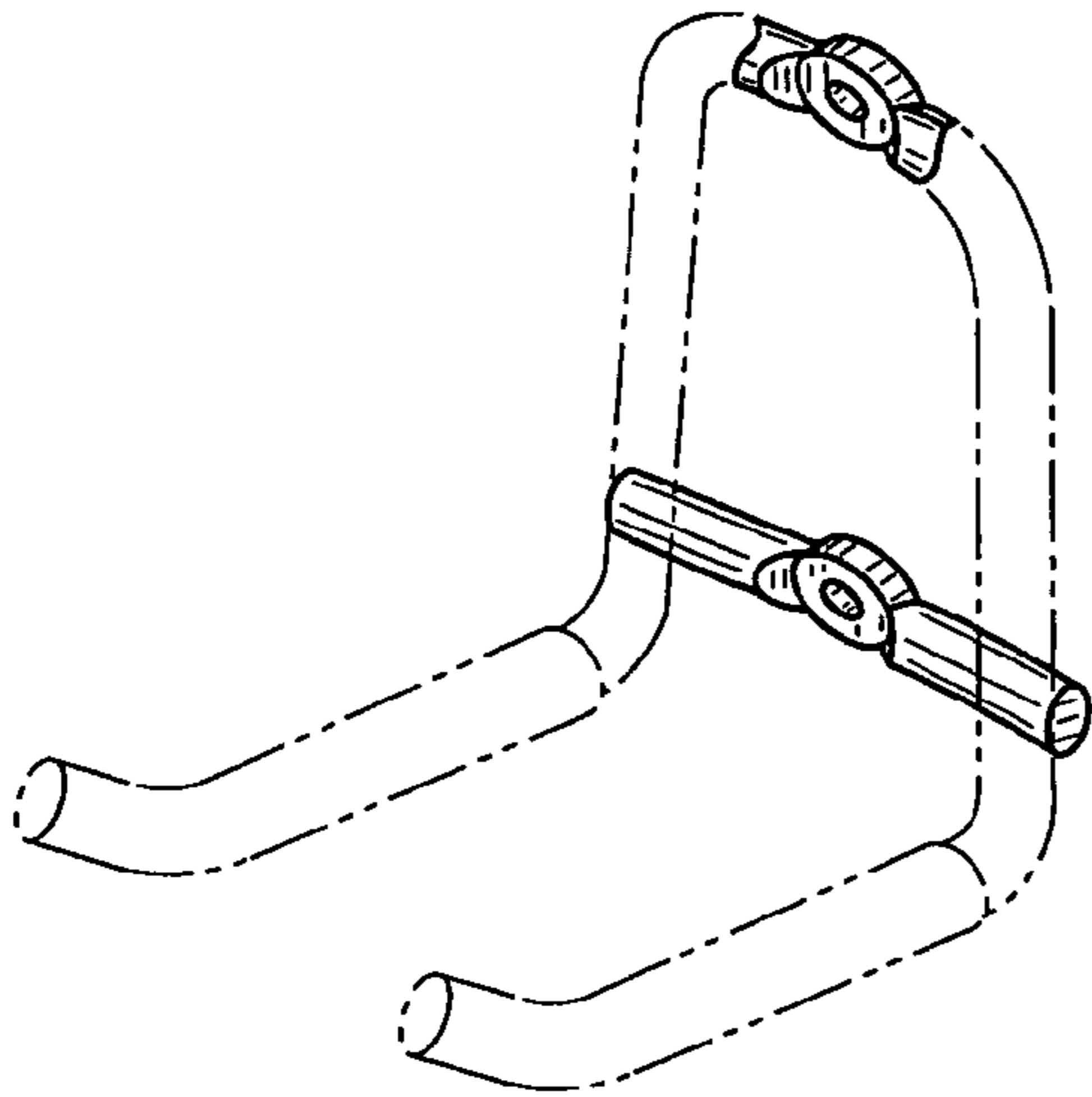


FIG. 1

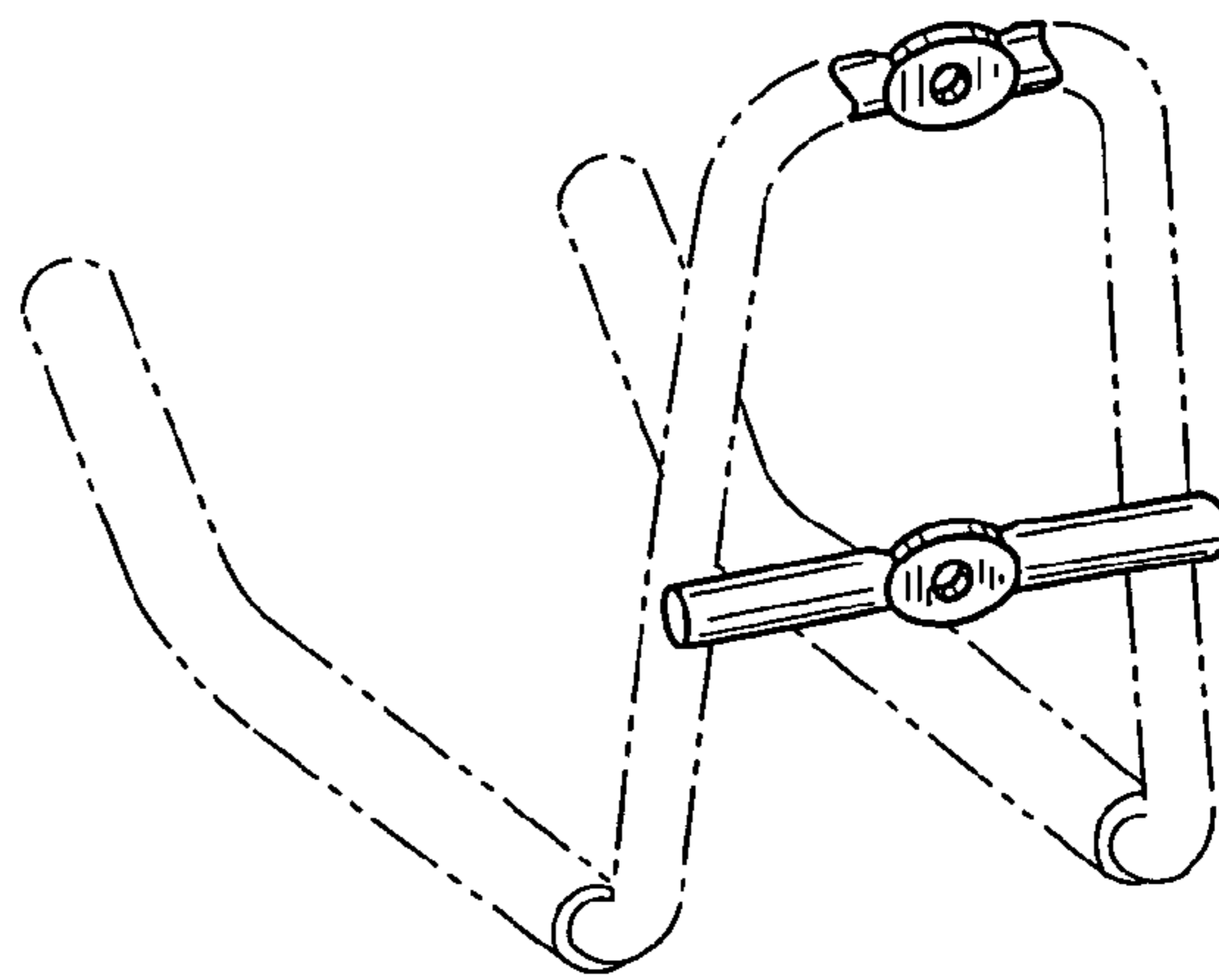


FIG. 2

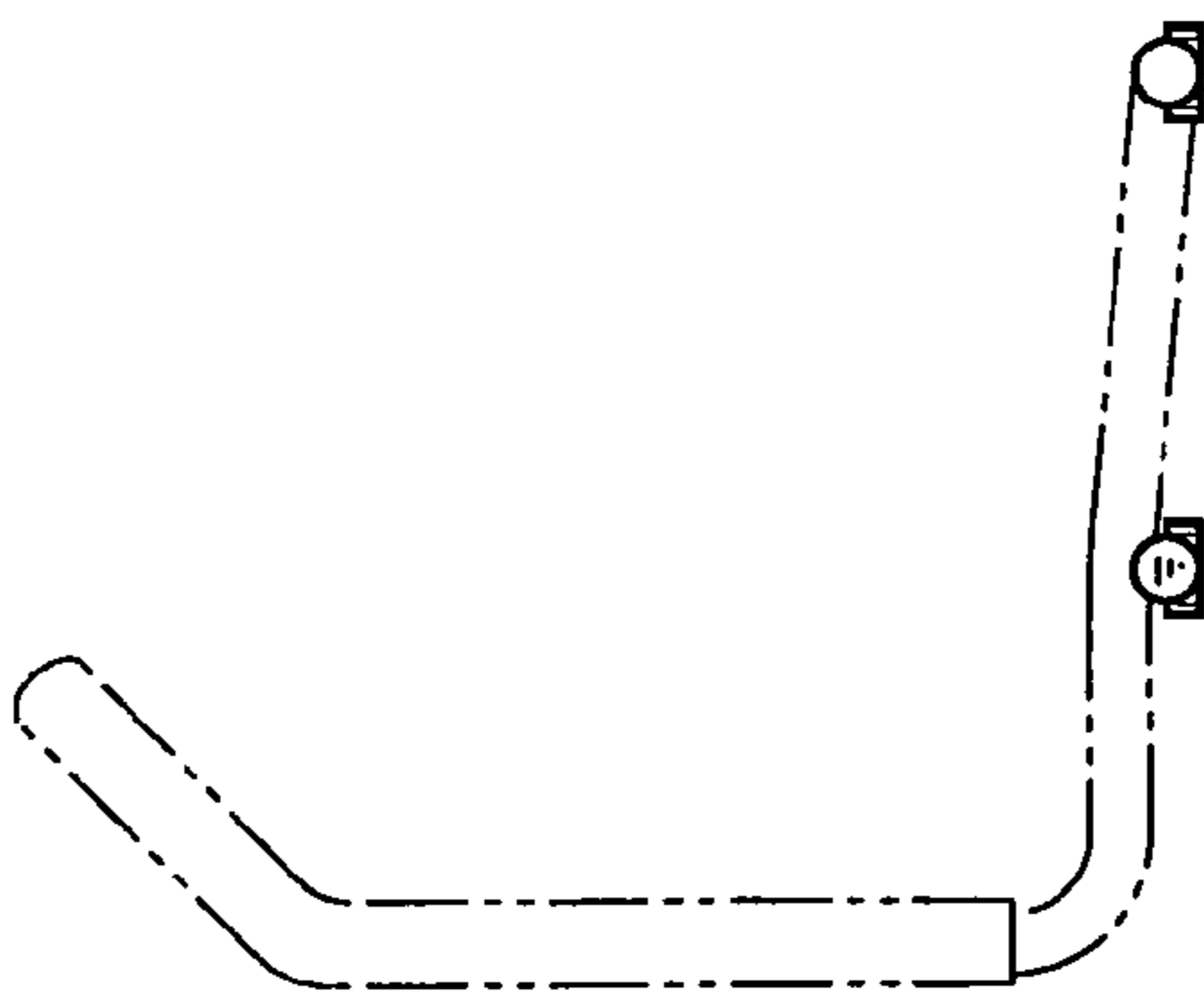


FIG. 3

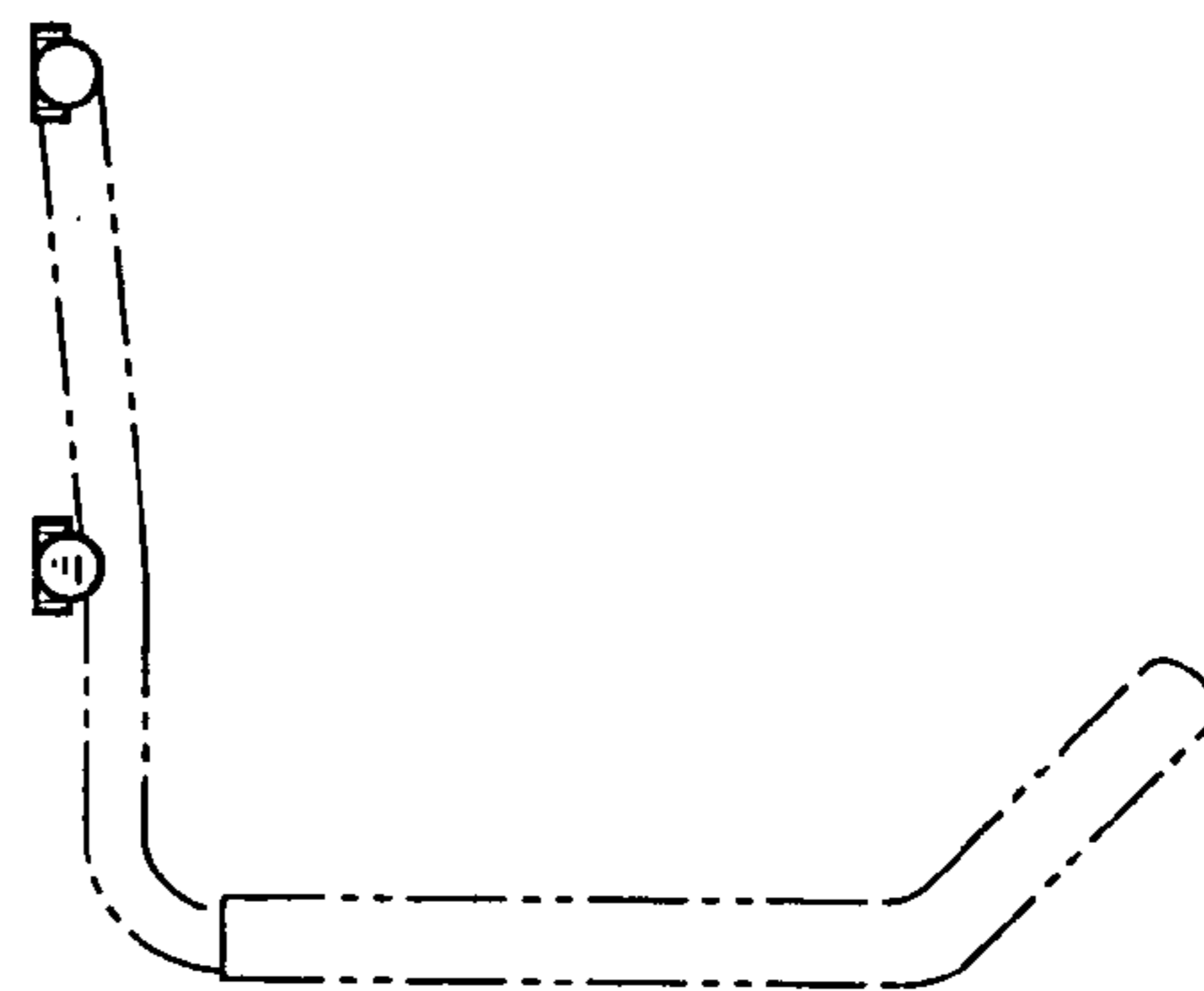


FIG. 4

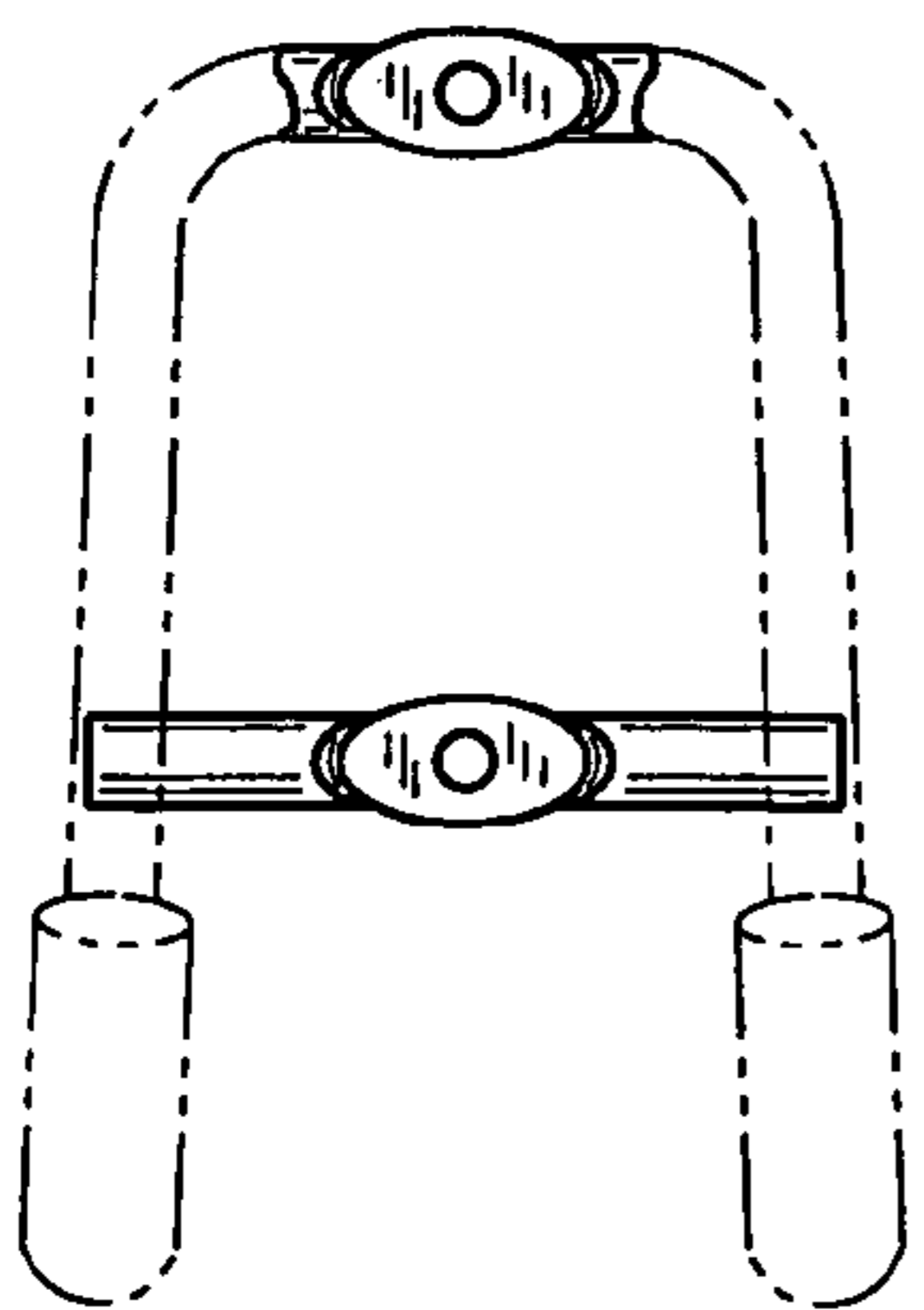


FIG. 5

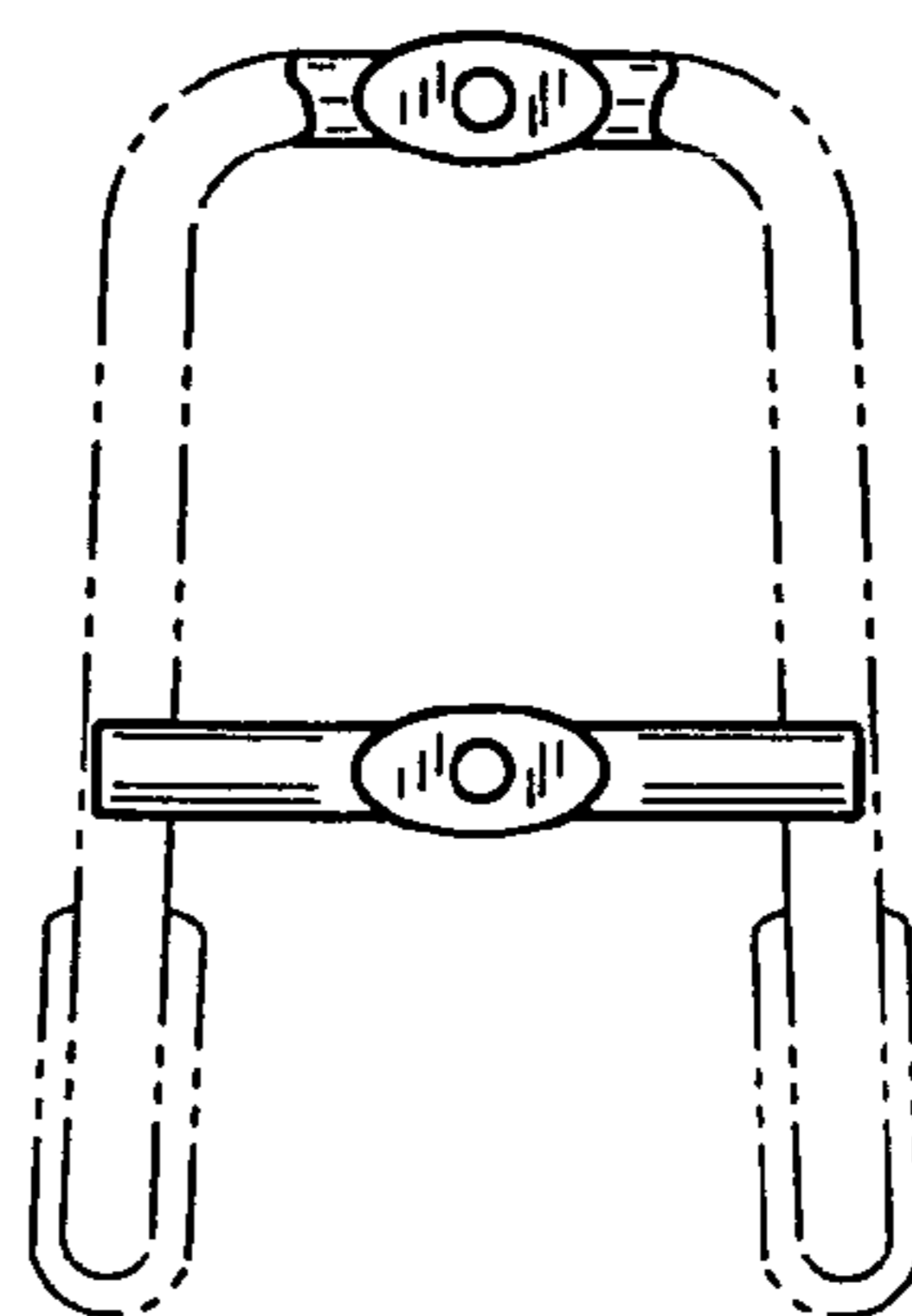


FIG. 6

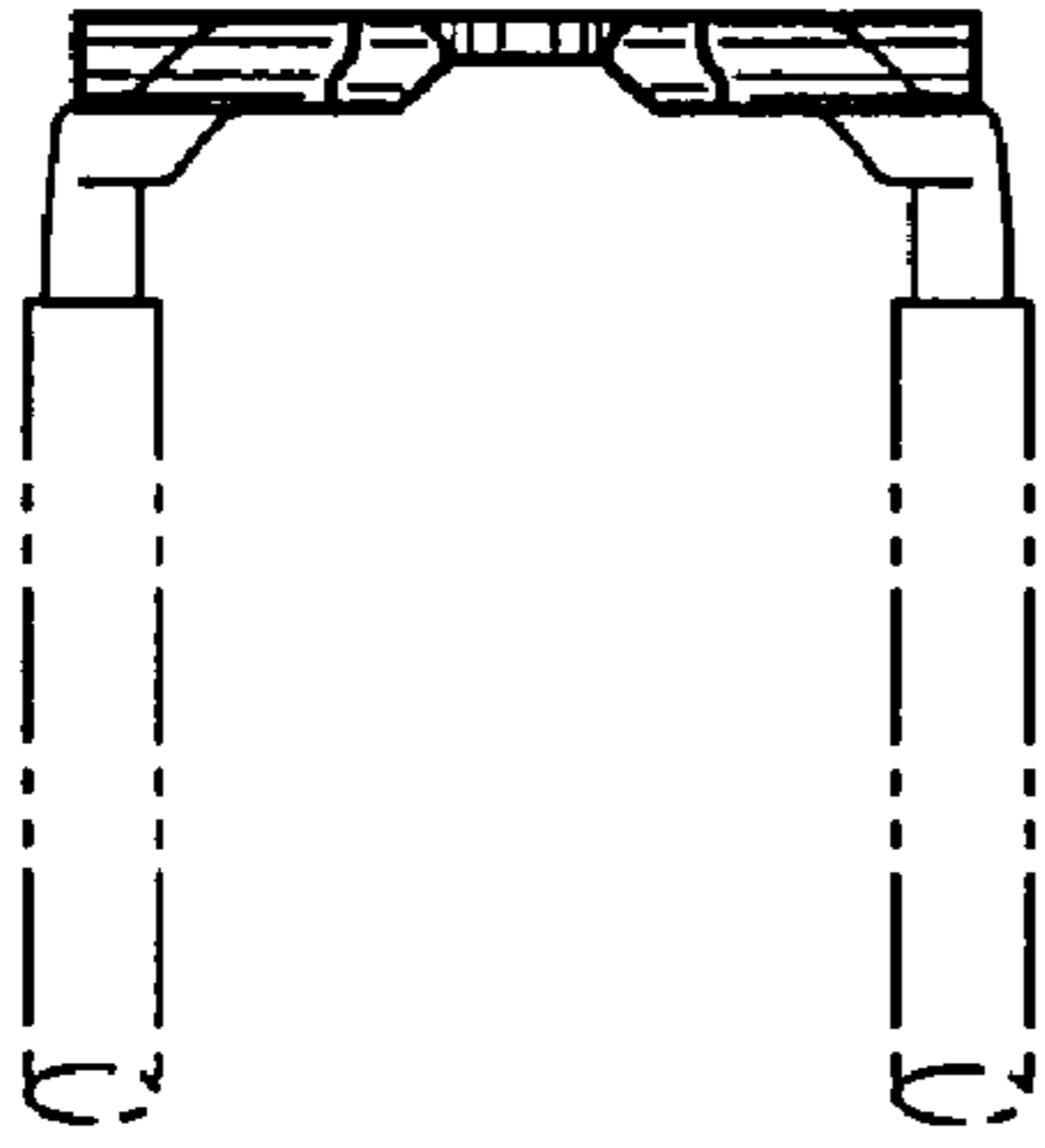


FIG. 7

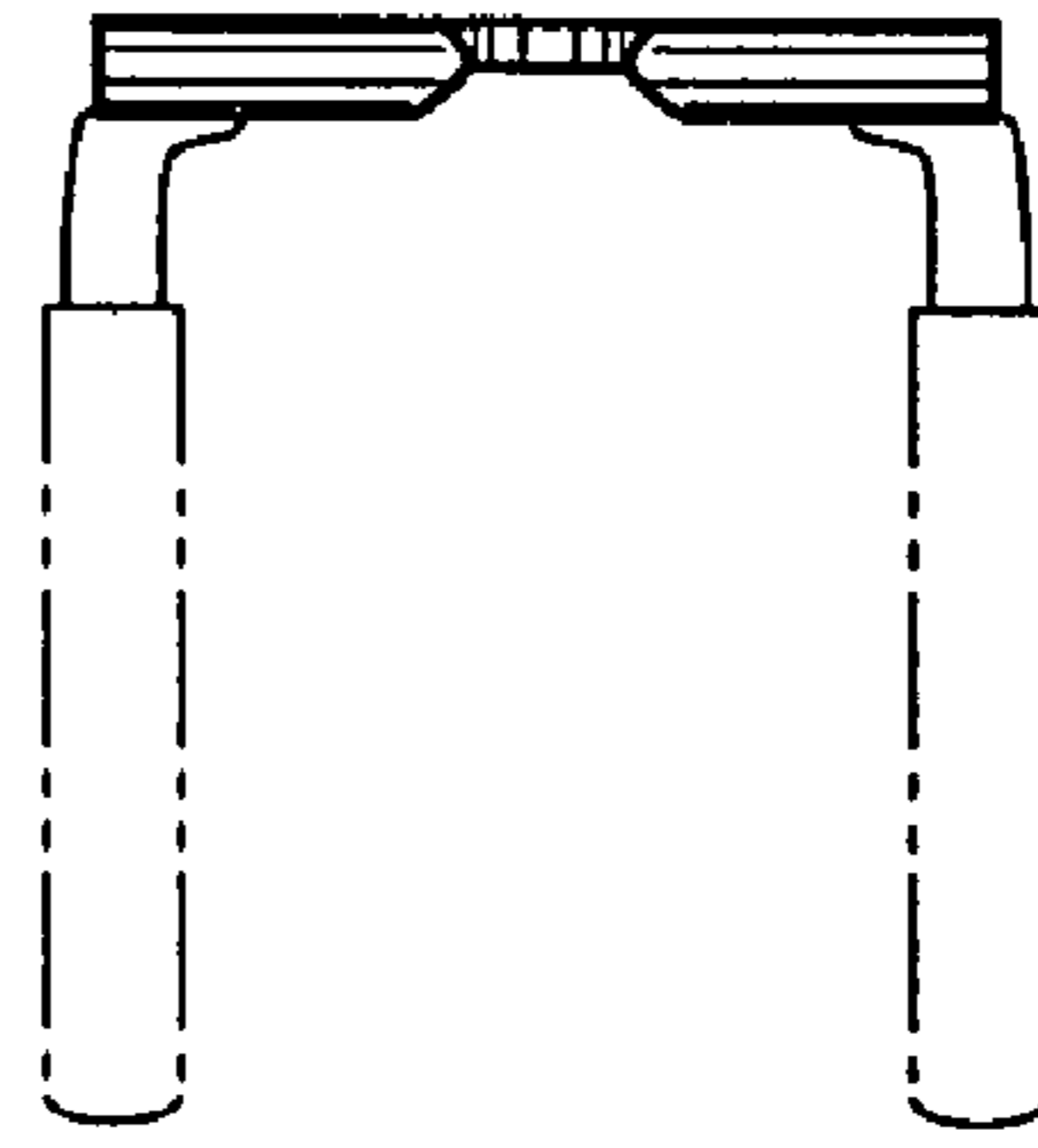


FIG. 8

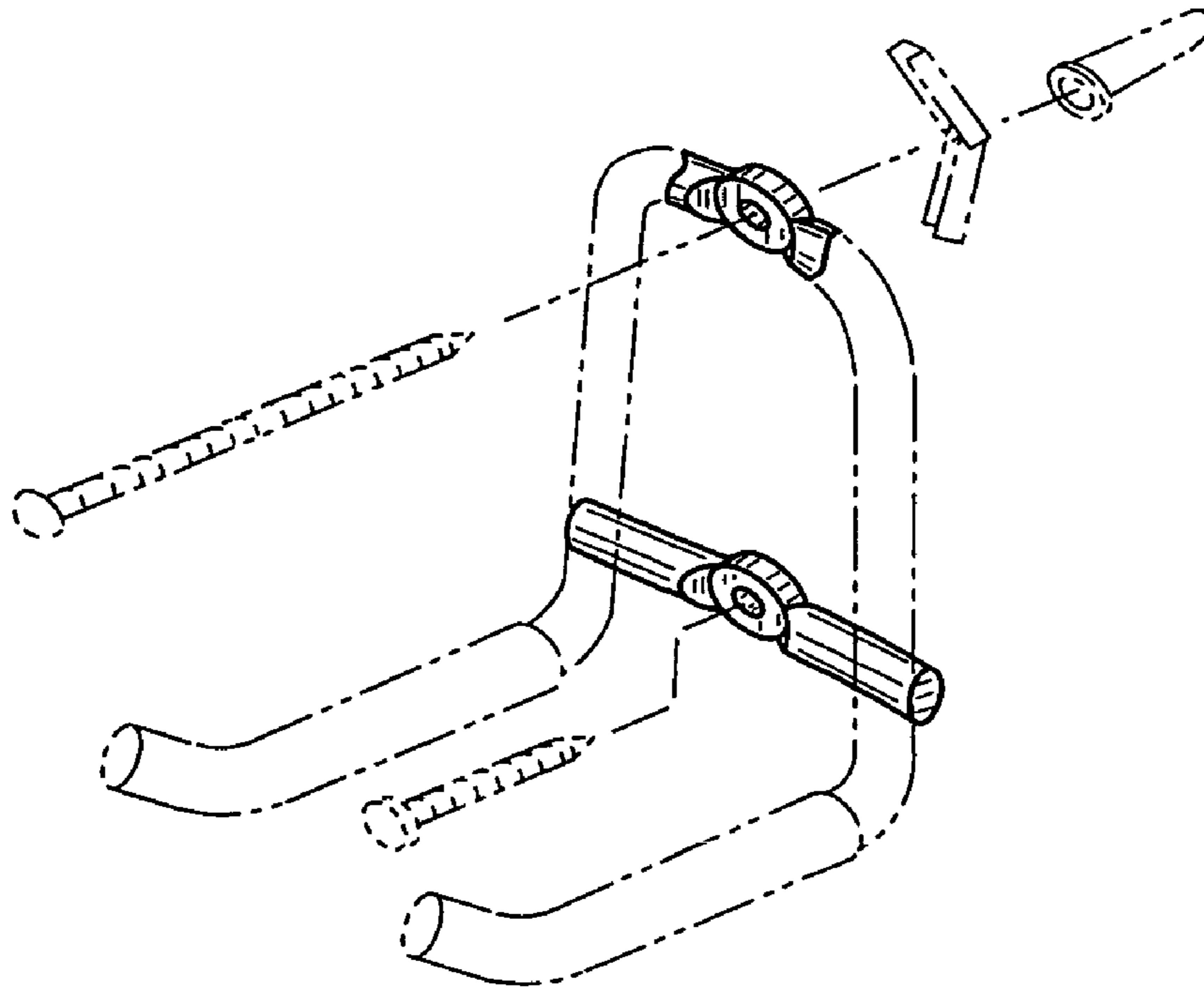


FIG. 9