



US00D551061S

(12) **United States Design Patent**
English et al.

(10) **Patent No.:** **US D551,061 S**

(45) **Date of Patent:** **** Sep. 18, 2007**

(54) **DECORATIVE HOSE REEL**

D483,248 S * 12/2003 Roman D8/359
6,792,970 B2 9/2004 Lin

(75) Inventors: **Stephen T. English**, Dillsburg, PA (US); **John R. Grishaber**, Mt. Wolf, PA (US); **Eric K. Fasser**, Enola, PA (US)

* cited by examiner

Primary Examiner—Holly H. Baynham
(74) *Attorney, Agent, or Firm*—David C. Jenkins; Eckert Seamans Cherin & Mellott, LLC

(73) Assignee: **Ames True Temper, Inc.**, Camp Hill, PA (US)

(57) **CLAIM**

(**) Term: **14 Years**

The ornamental design for a decorative hose reel, as shown and described.

(21) Appl. No.: **29/236,167**

(22) Filed: **Aug. 12, 2005**

DESCRIPTION

(51) **LOC (8) Cl.** **08-05**

FIG. 1 is a perspective view of a decorative hose reel.

(52) **U.S. Cl.** **D8/359**

FIG. 2 is a perspective view of the decorative hose reel rotated about ninety degrees relative to the view in FIG. 1.

(58) **Field of Classification Search** D8/359;
137/355.26, 355.27; 242/397.5

FIG. 3 is a perspective view of the decorative hose reel rotated about ninety degrees relative to the view in FIG. 2.

See application file for complete search history.

FIG. 4 is a perspective view of the decorative hose reel rotated about ninety degrees relative to the view in FIG. 3.

(56) **References Cited**

U.S. PATENT DOCUMENTS

1,499,644 A	7/1924	Dowrello	
4,537,215 A	8/1985	Roman	
D289,492 S	4/1987	Clivio et al.	
D418,739 S *	1/2000	Whitehead et al.	D8/359
6,050,291 A	4/2000	Whitehead et al.	
D432,002 S *	10/2000	Anderson et al.	D8/359
D478,803 S *	8/2003	Markley	D8/359

FIG. 5 is a front side view of the decorative hose reel.

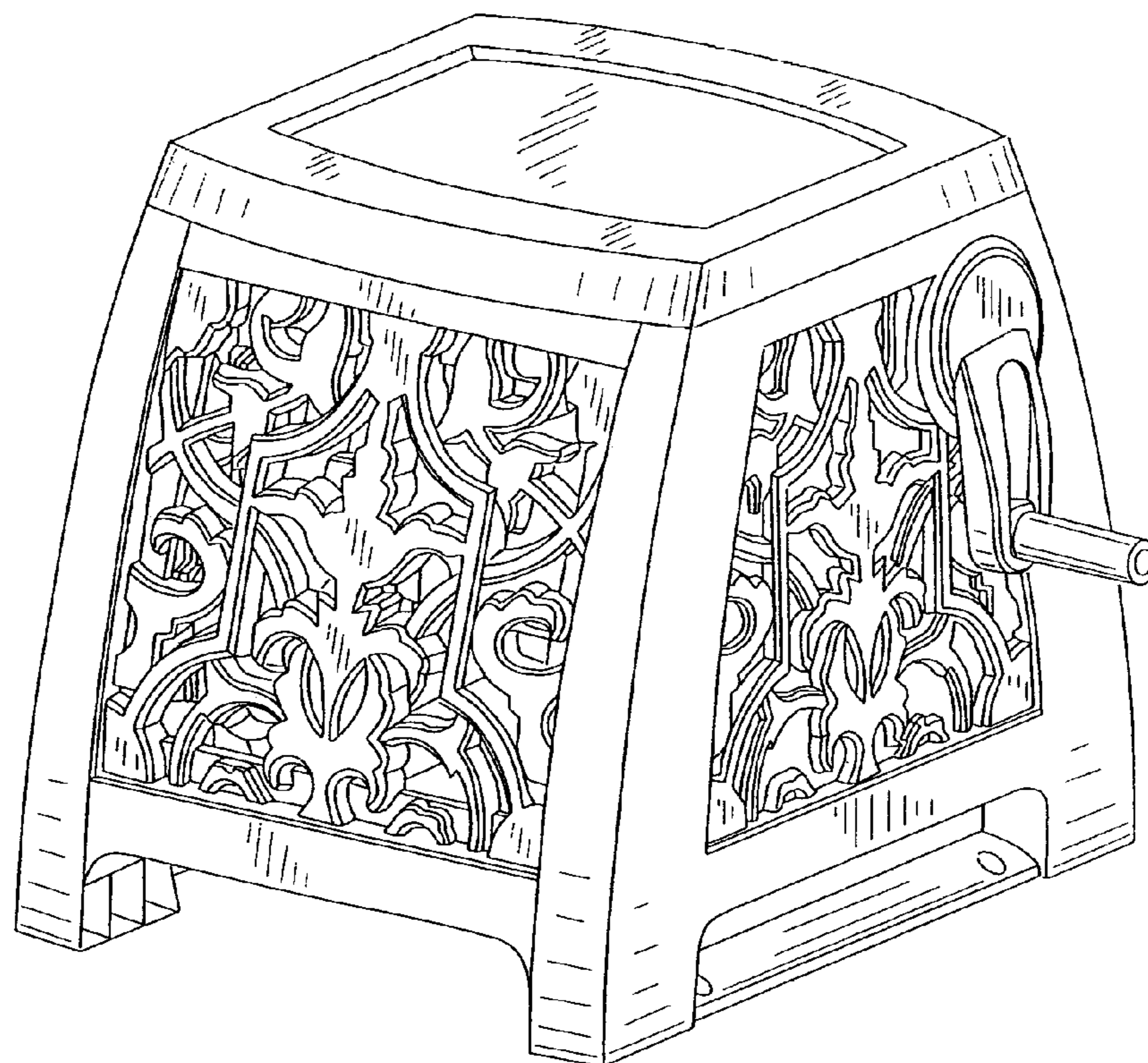
FIG. 6 is a right side view of the decorative hose reel.

FIG. 7 is a back side view of the decorative hose reel.

FIG. 8 is a left side view of the decorative hose reel; and,

FIG. 9 is a top view of the decorative hose reel.

1 Claim, 9 Drawing Sheets



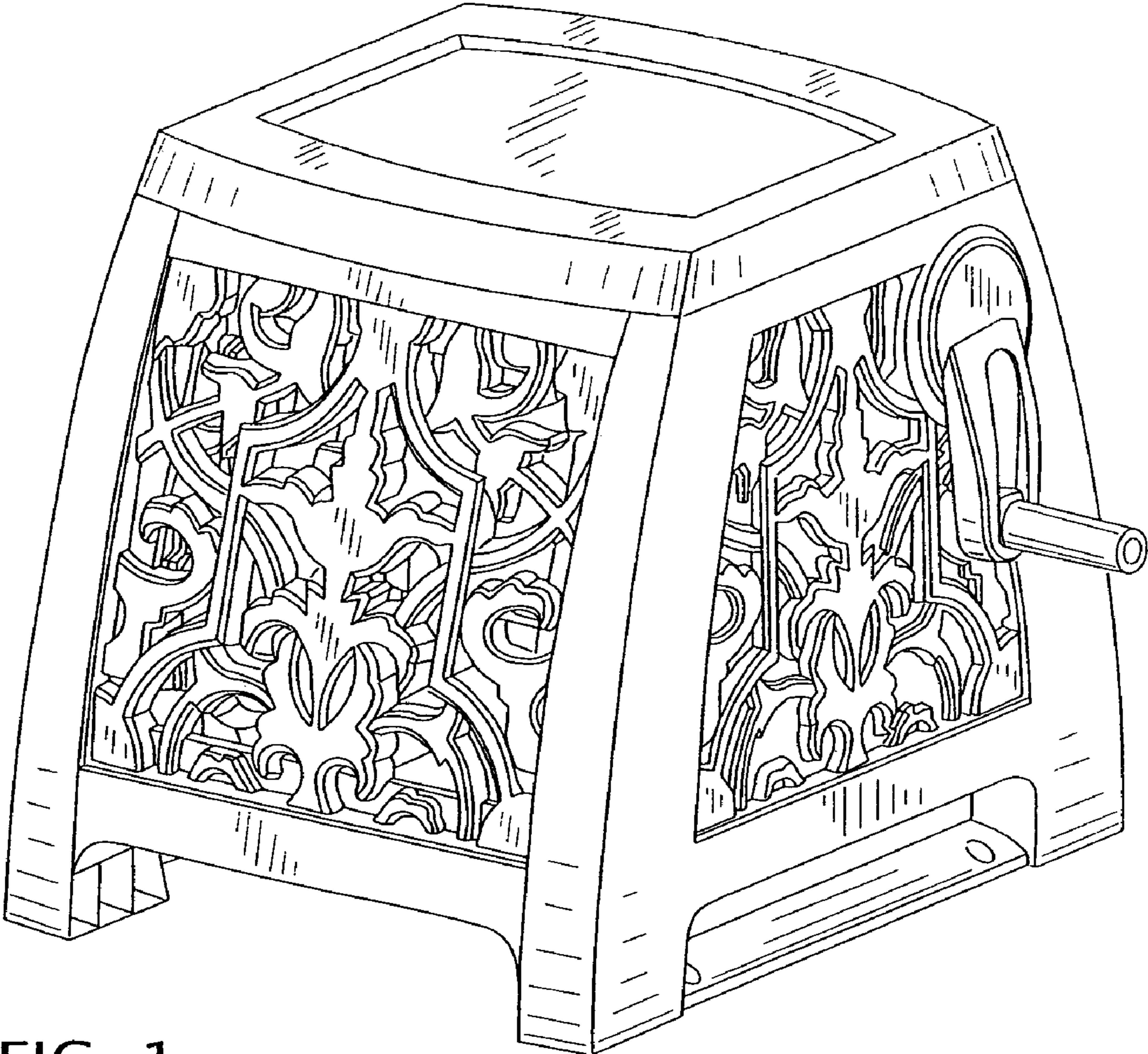


FIG. 1

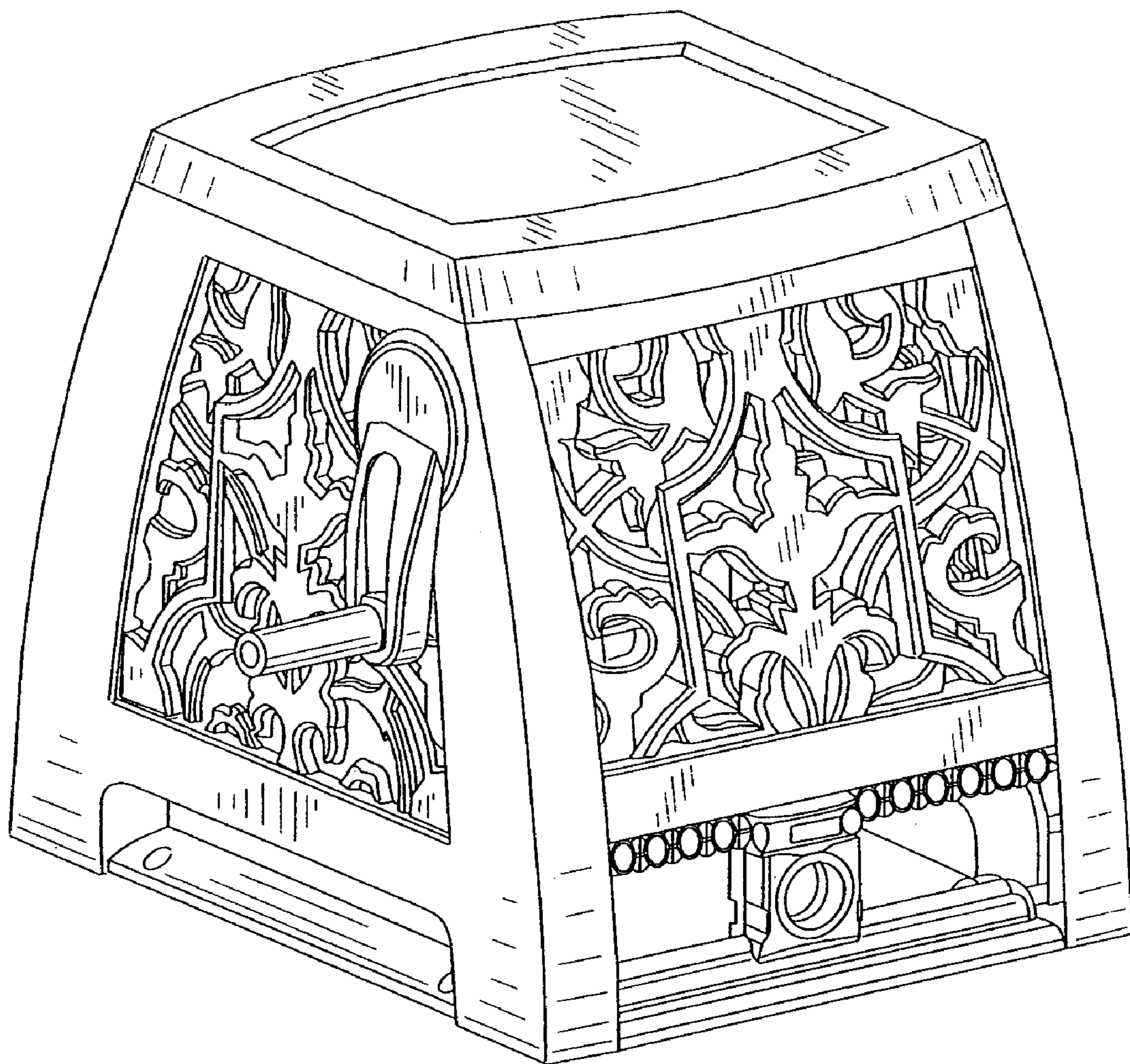


FIG. 2

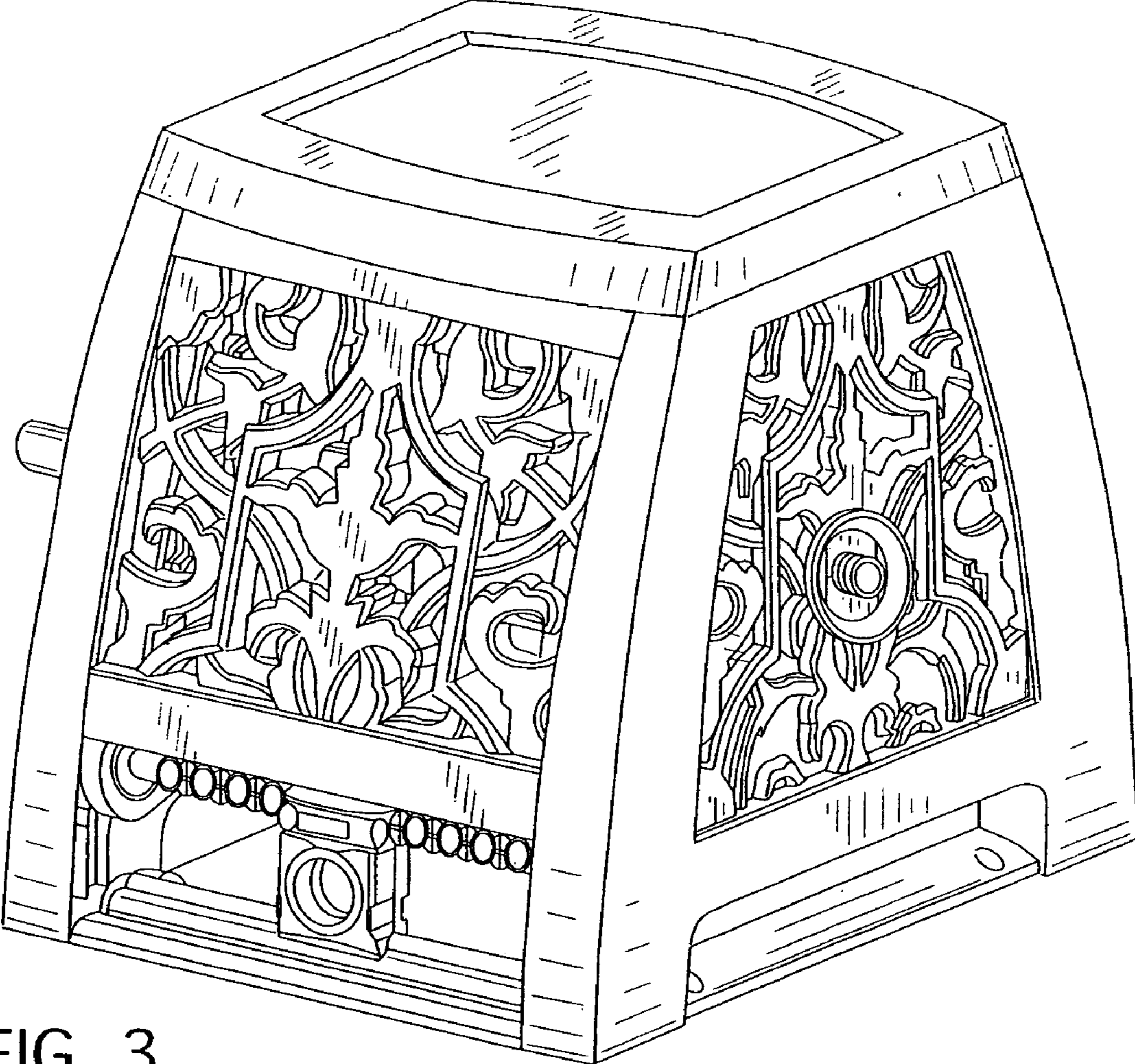


FIG. 3

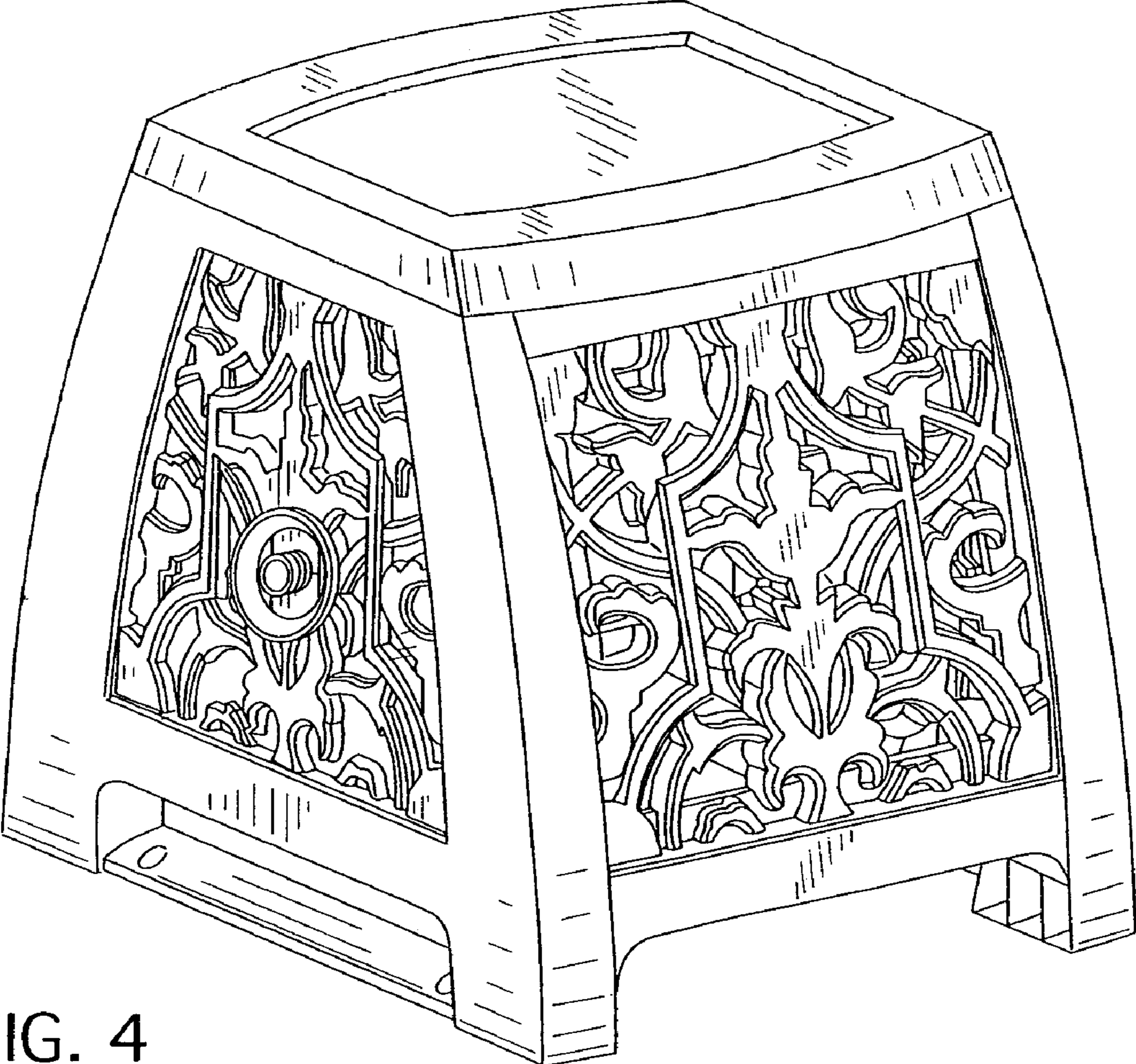


FIG. 4

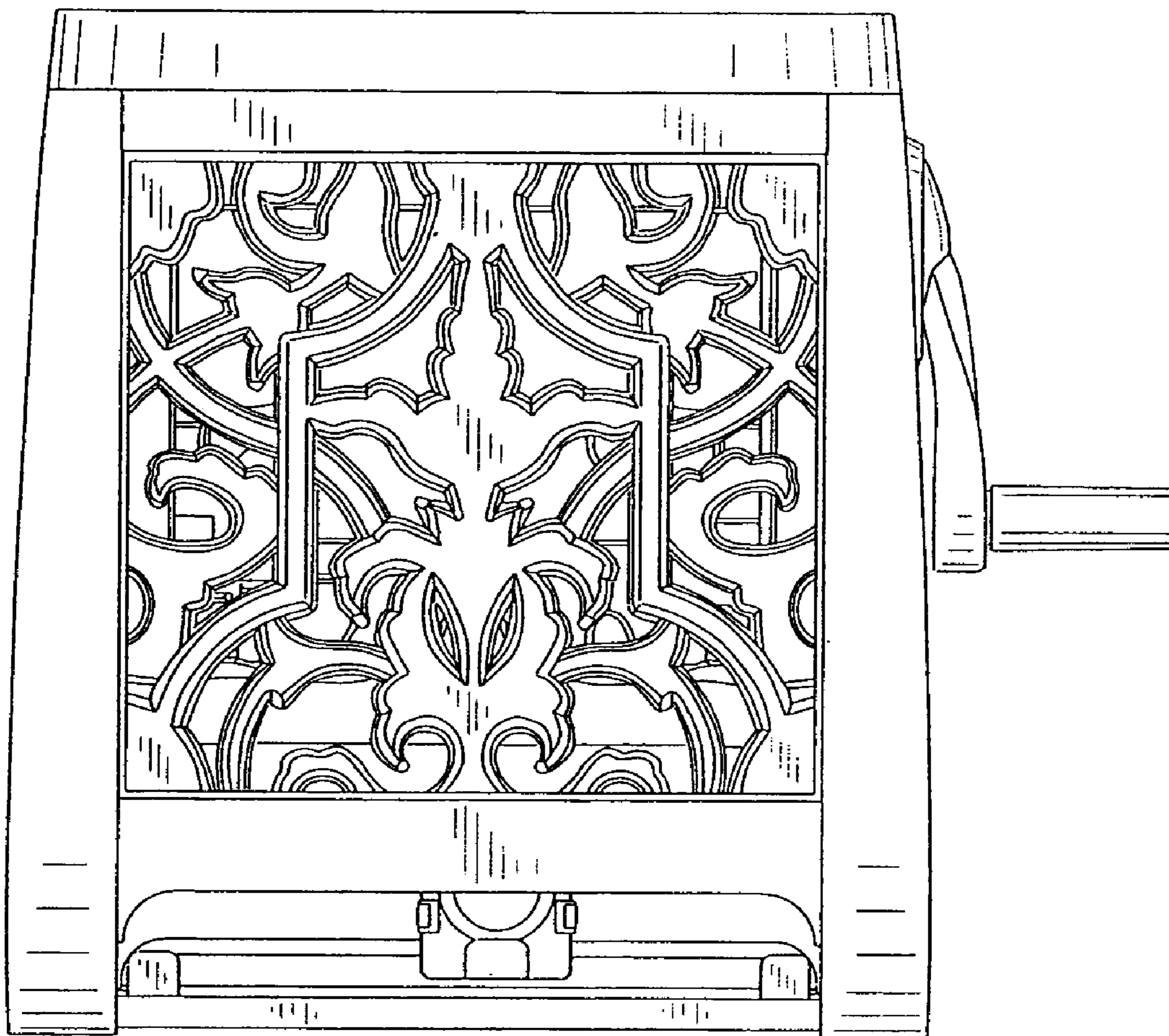


FIG. 5

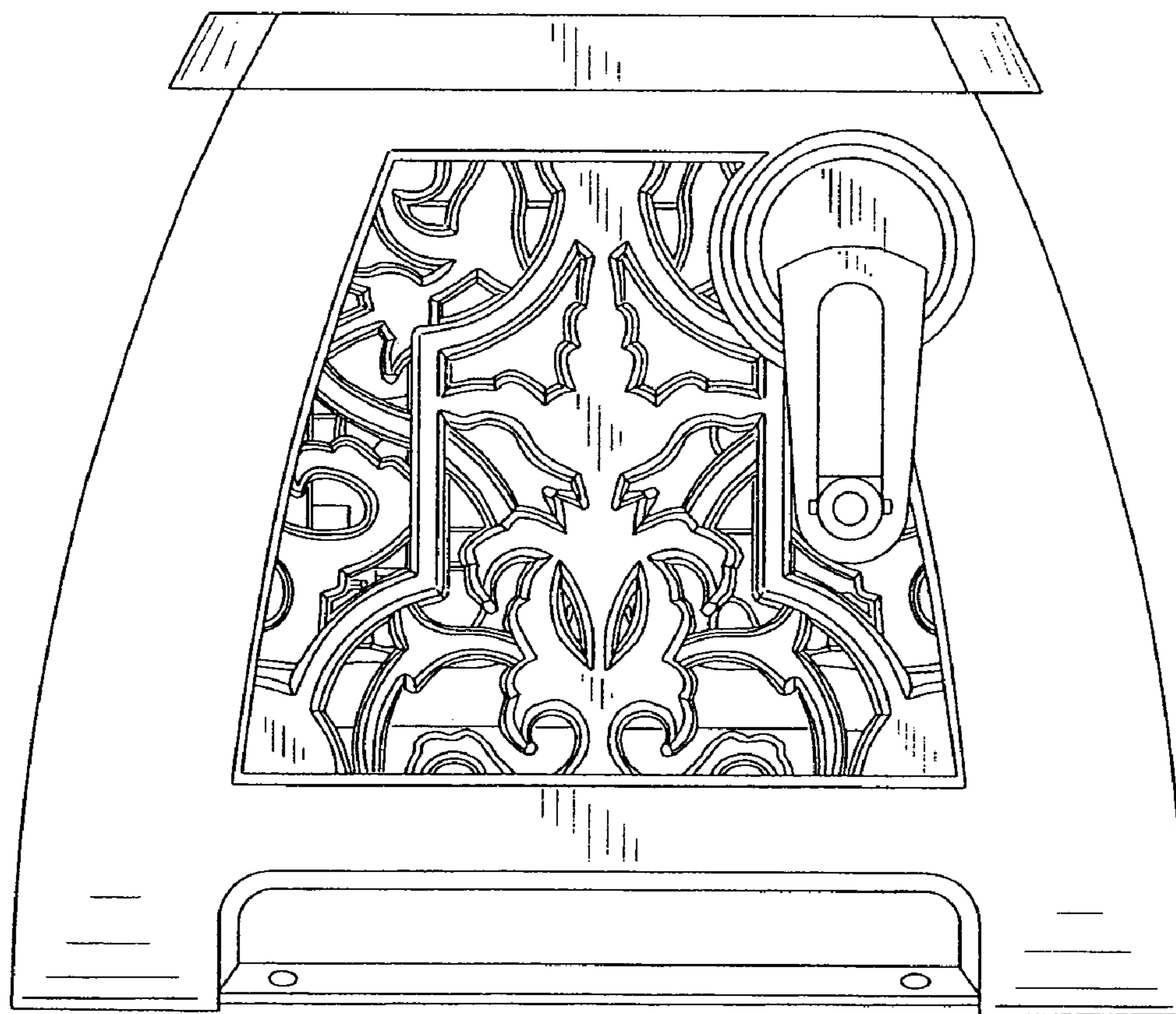


FIG. 6

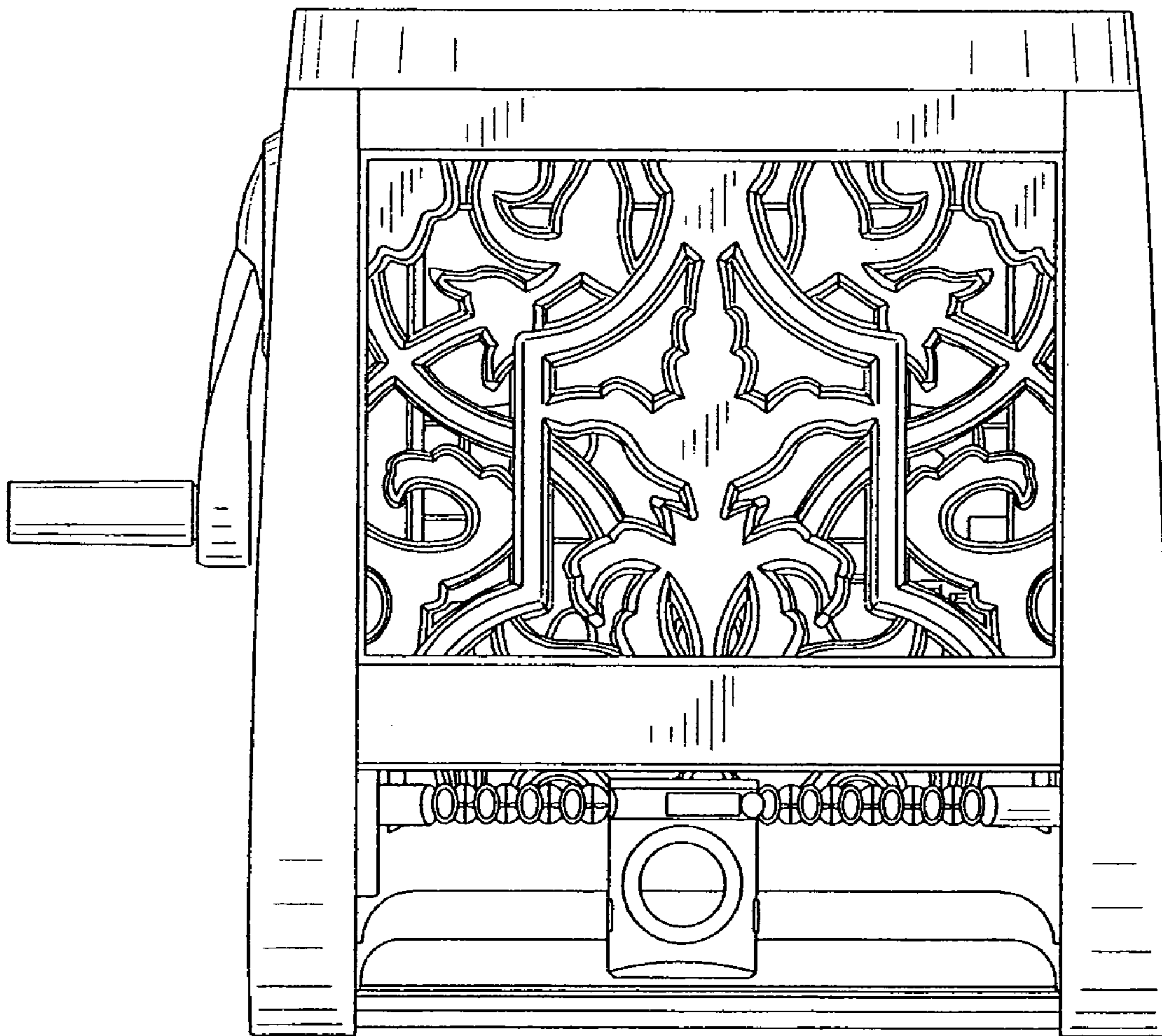


FIG. 7

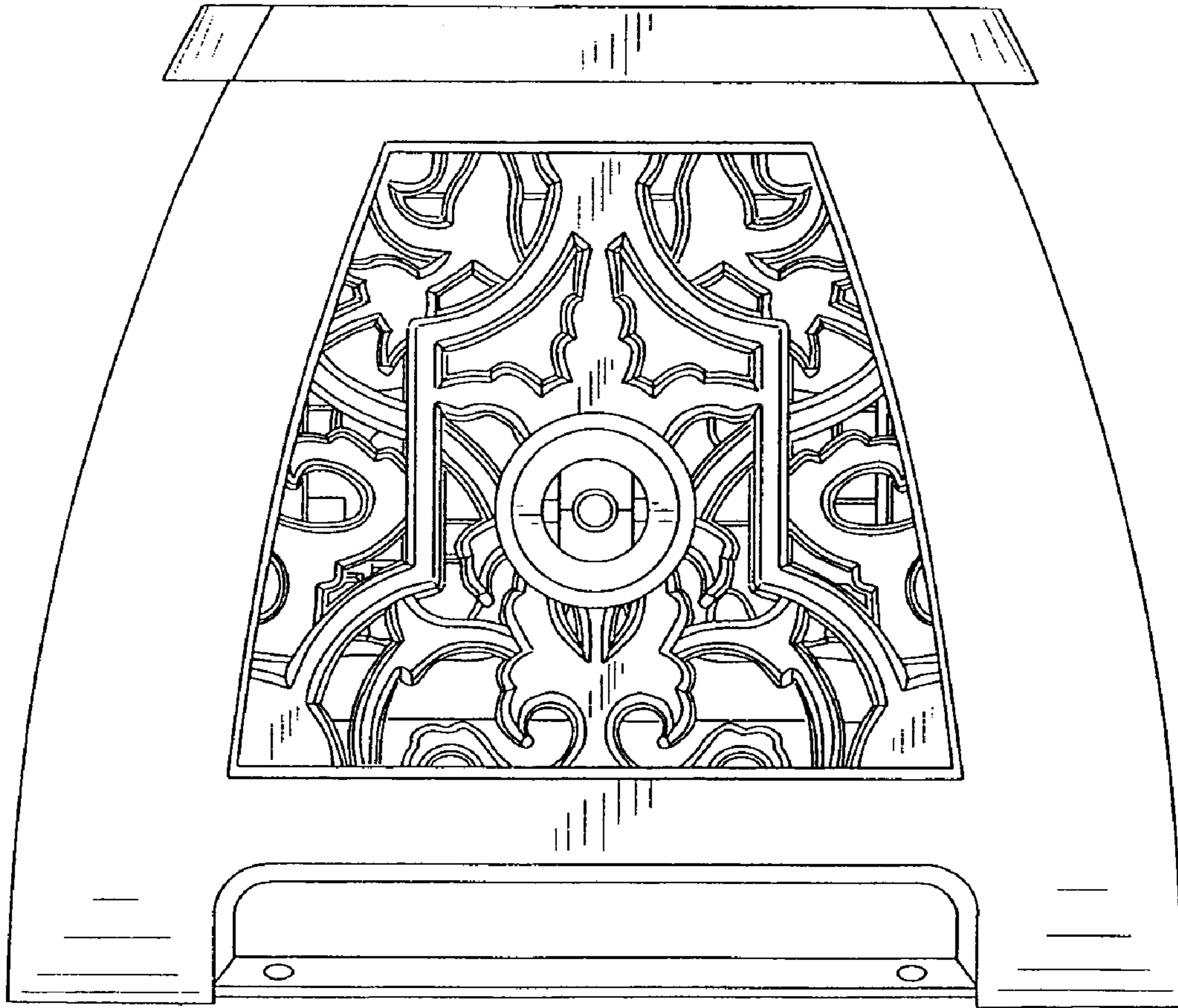


FIG. 8

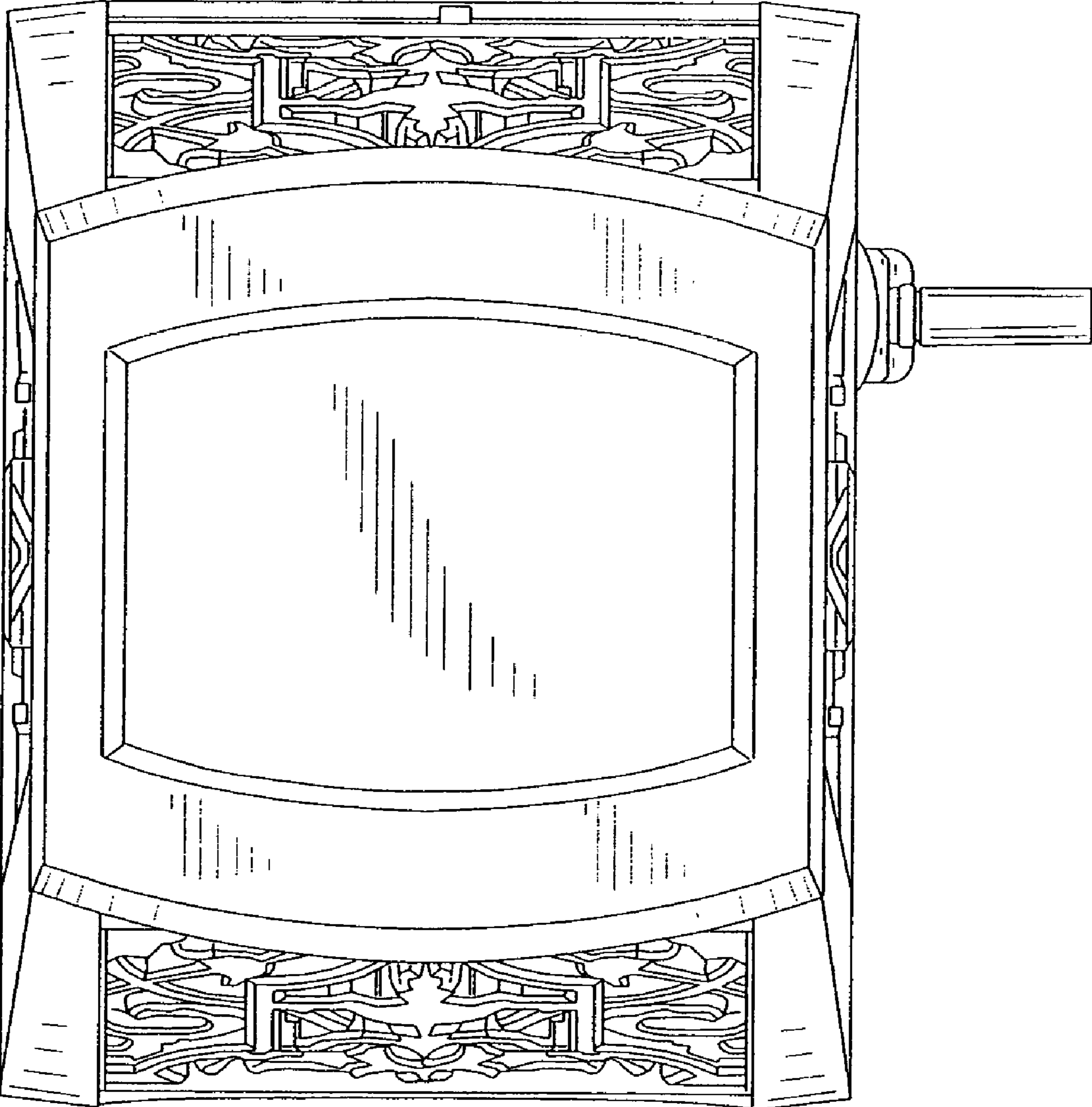


FIG. 9