



US00D551060S

(12) **United States Design Patent**
Ruggiero

(10) **Patent No.:** **US D551,060 S**

(45) **Date of Patent:** **** Sep. 18, 2007**

(54) **WIRE MANAGER**

(75) Inventor: **Andrea Ruggiero**, New York, NY (US)

(73) Assignee: **Doug Mockett & Company, Inc.**,
Torrance, CA (US)

(**) Term: **14 Years**

(21) Appl. No.: **29/263,659**

(22) Filed: **Jul. 27, 2006**

(51) **LOC (8) Cl.** **08-05**

(52) **U.S. Cl.** **D8/356**

(58) **Field of Classification Search** D8/383,
D8/382, 356, 354, 349, 105, 395, 394, 358;
242/916, 600, 405.2, 405.1, 400.1, 177, 160.3,
242/159, 118; 439/501; 24/561; 248/214,
248/229.26, 316.7

See application file for complete search history.

(56) **References Cited**

U.S. PATENT DOCUMENTS

- 1,408,261 A * 2/1922 Brookhart 242/405.2
- D392,548 S * 3/1998 Rodriguez D8/358
- D402,882 S * 12/1998 McBain D8/358

* cited by examiner

Primary Examiner—Robert M. Spear

Assistant Examiner—Susan Bennett Hattan

(74) *Attorney, Agent, or Firm*—Lewis Brisbois Bisgaard & Smith LLP; Sanford Astor

(57) **CLAIM**

The ornamental design for a wire manager, as shown and described.

DESCRIPTION

The article embodying the design is intended to be used to manage wires.

FIG. 1 is a perspective view of the wire manager;

FIG. 2 is a front elevational view of the back of the wire manager;

FIG. 3 is a front elevational view of the front of the wire manager;

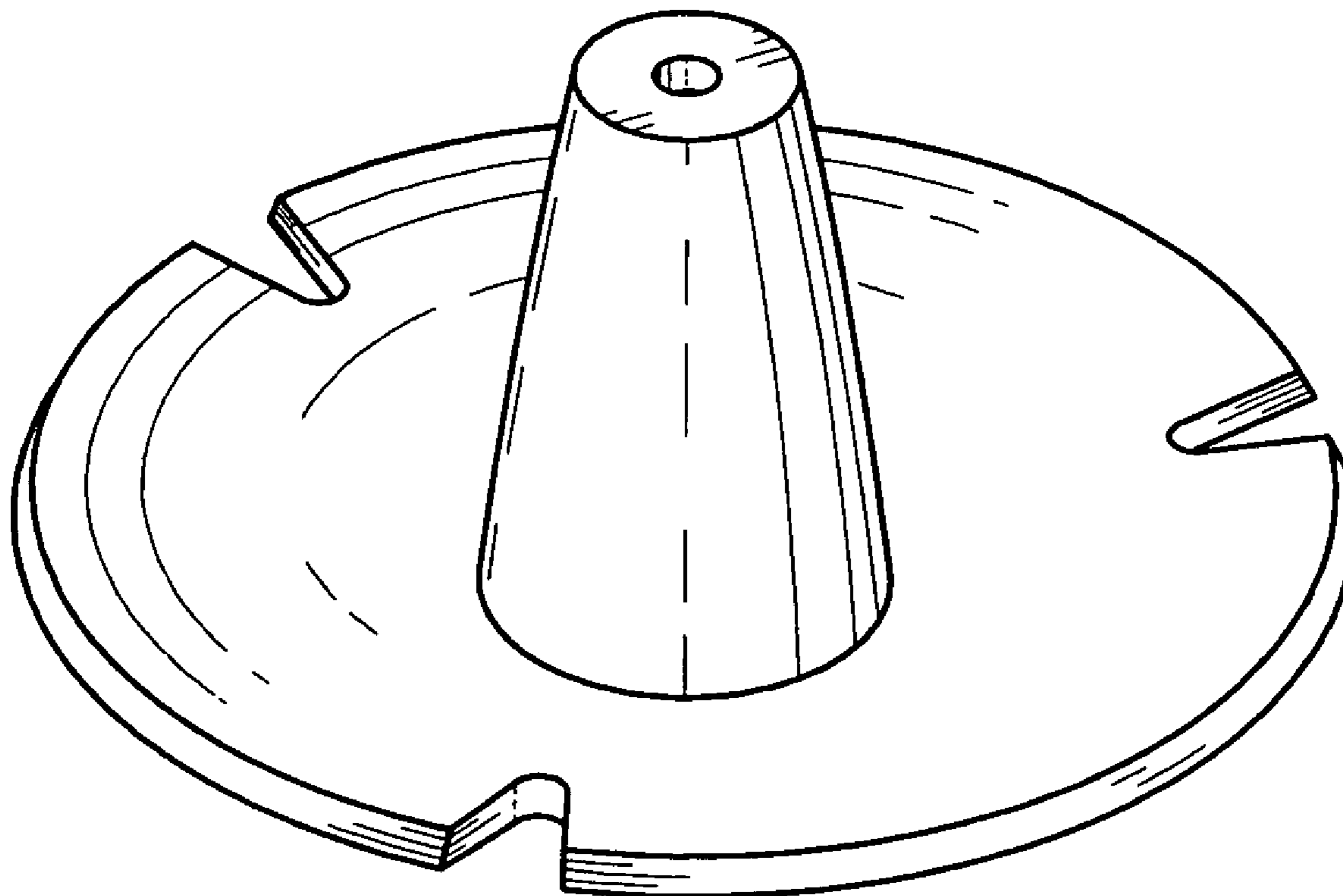
FIG. 4 is a front elevational view of the left side of the wire manager;

FIG. 5 is a front elevational view of the right side of the wire manager;

FIG. 6 is a top view of the wire manager; and,

FIG. 7 is a bottom view of the wire manager.

1 Claim, 4 Drawing Sheets



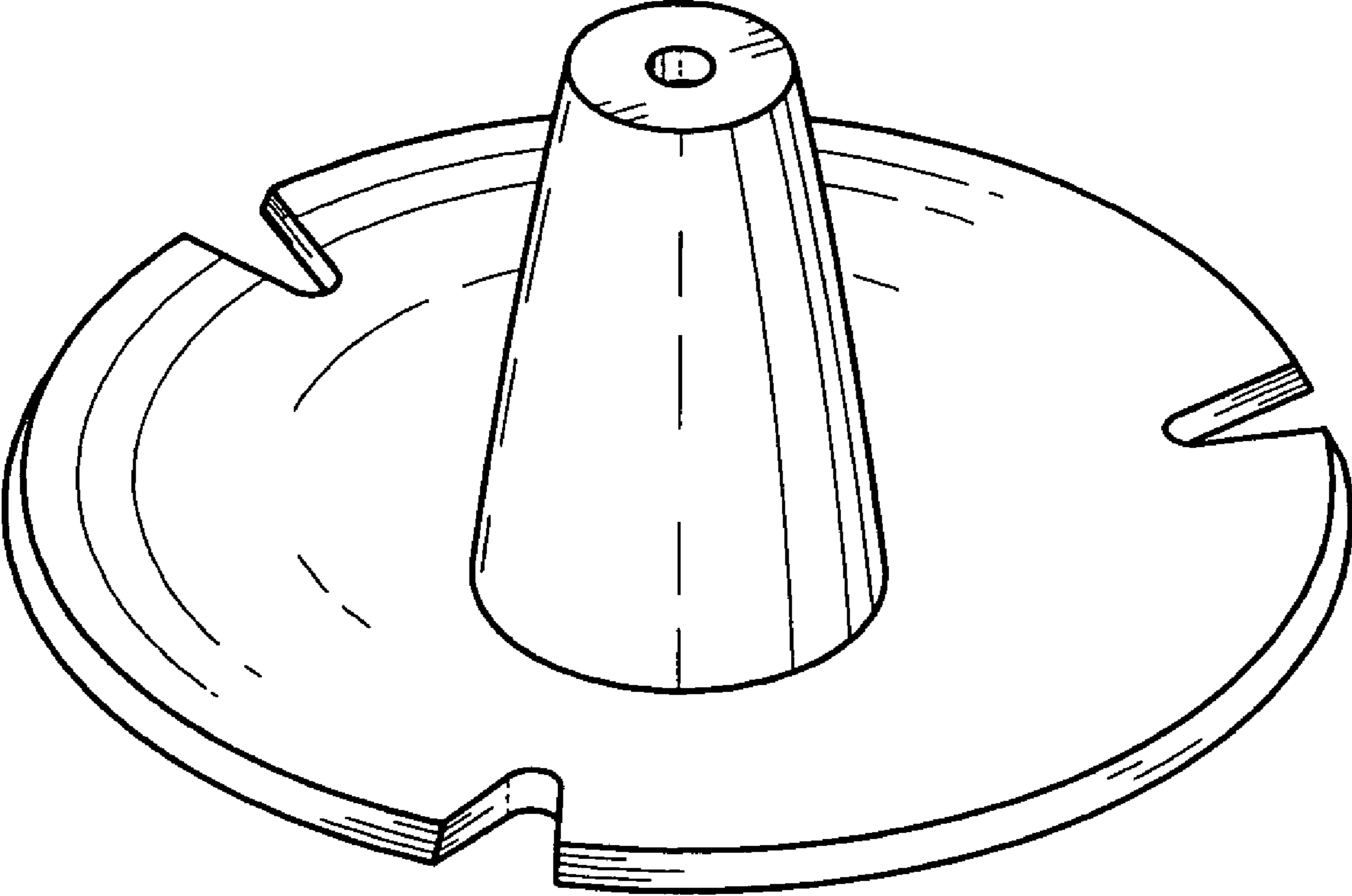


FIG. 1

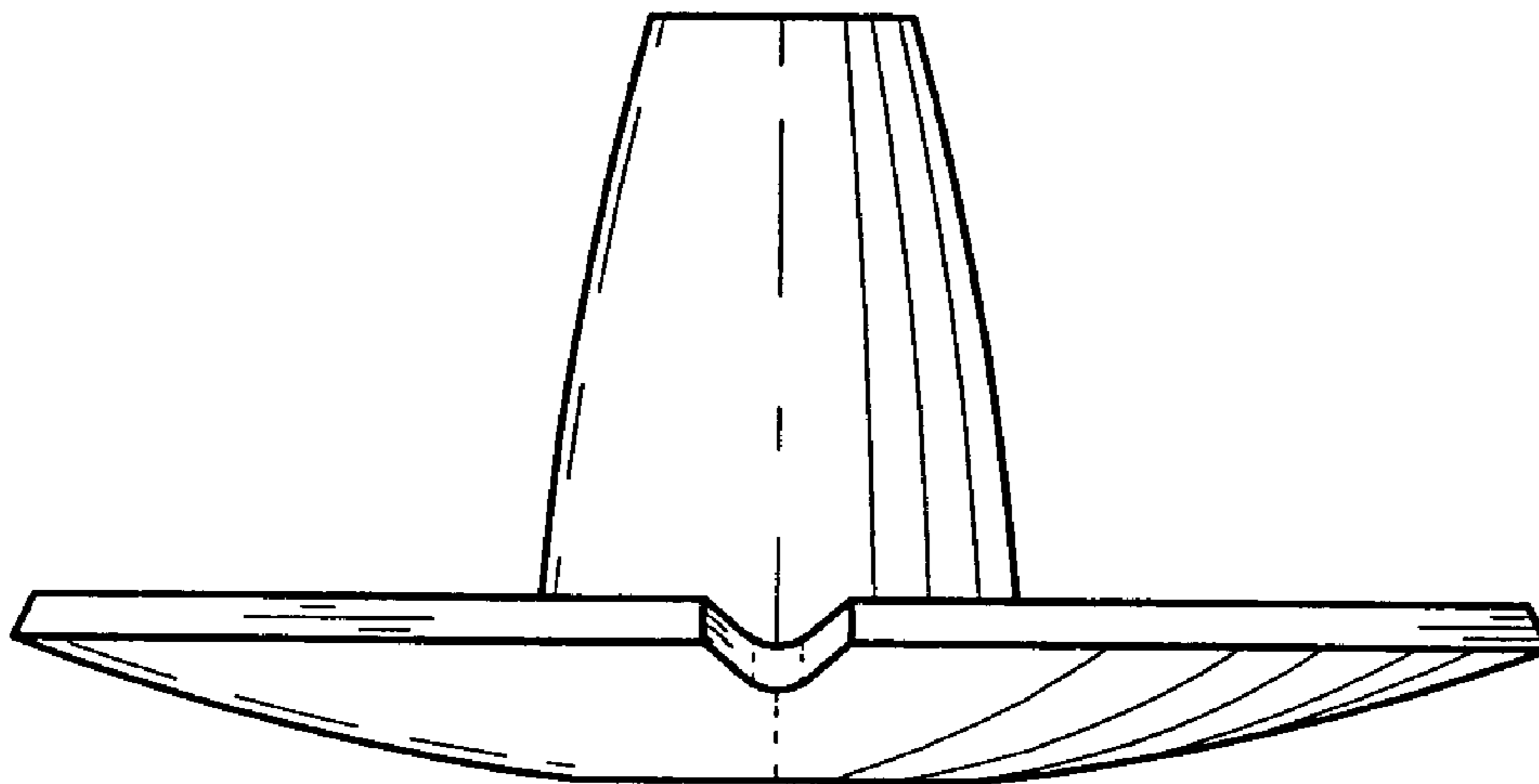


FIG. 2

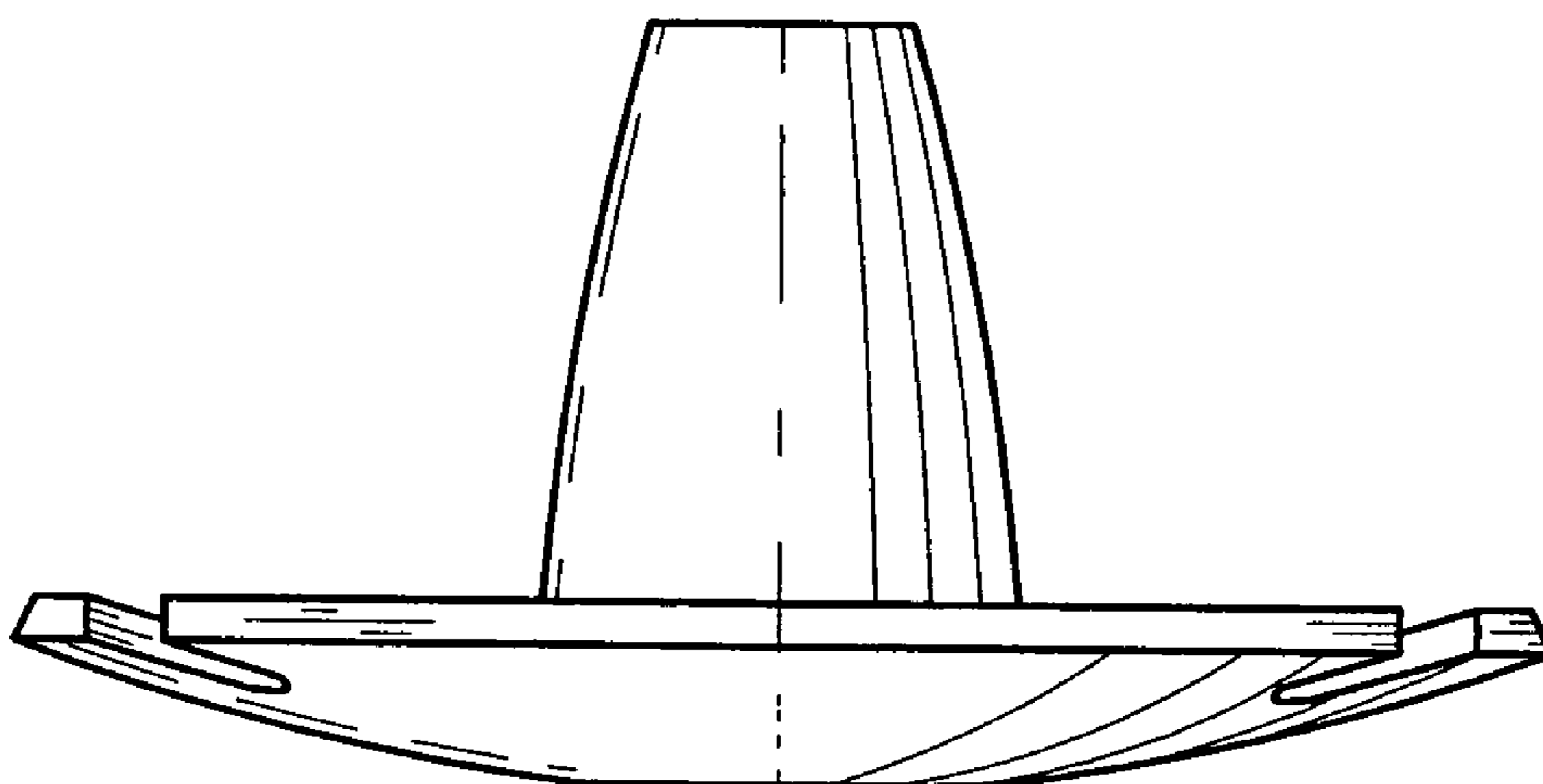


FIG. 3

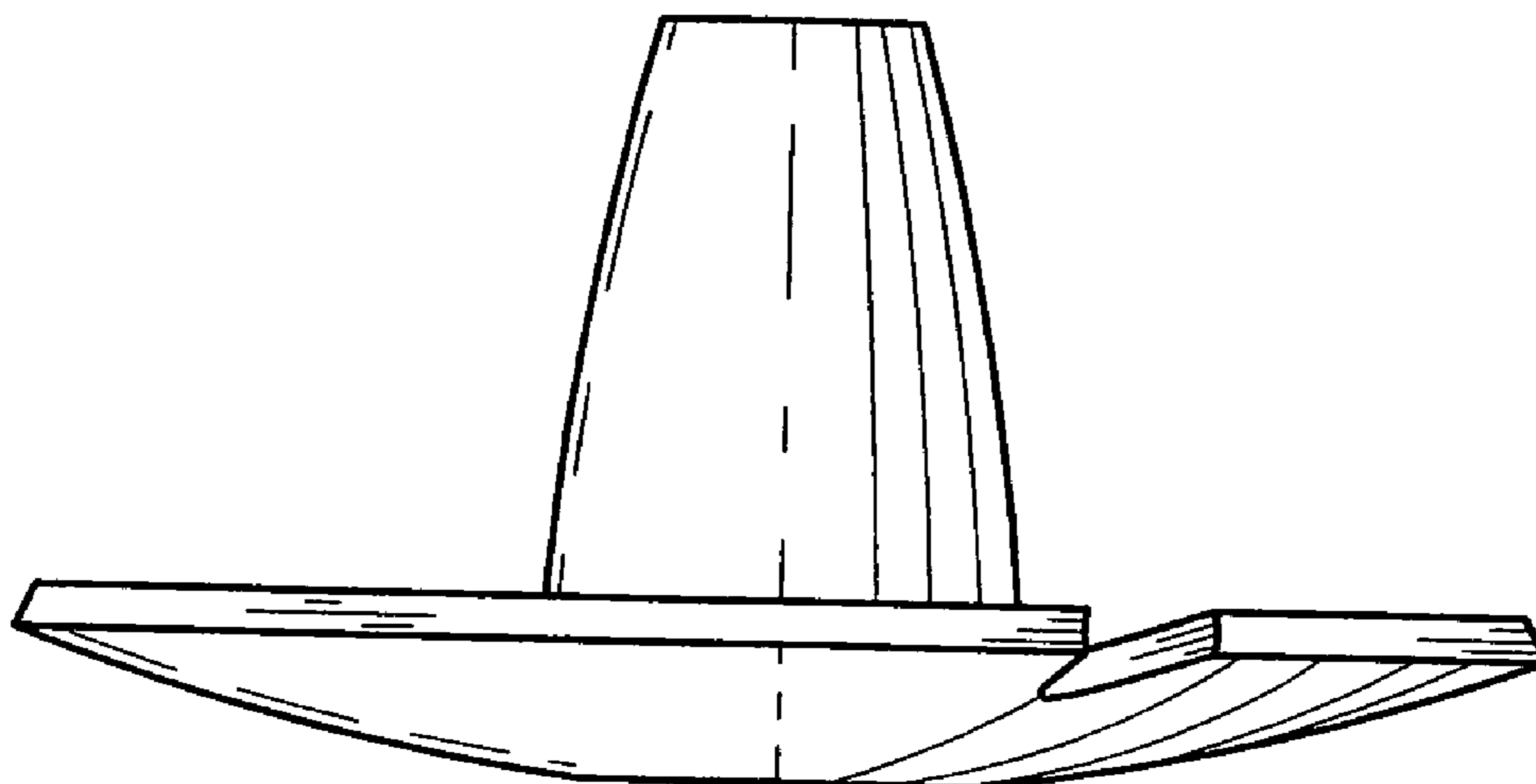


FIG. 4

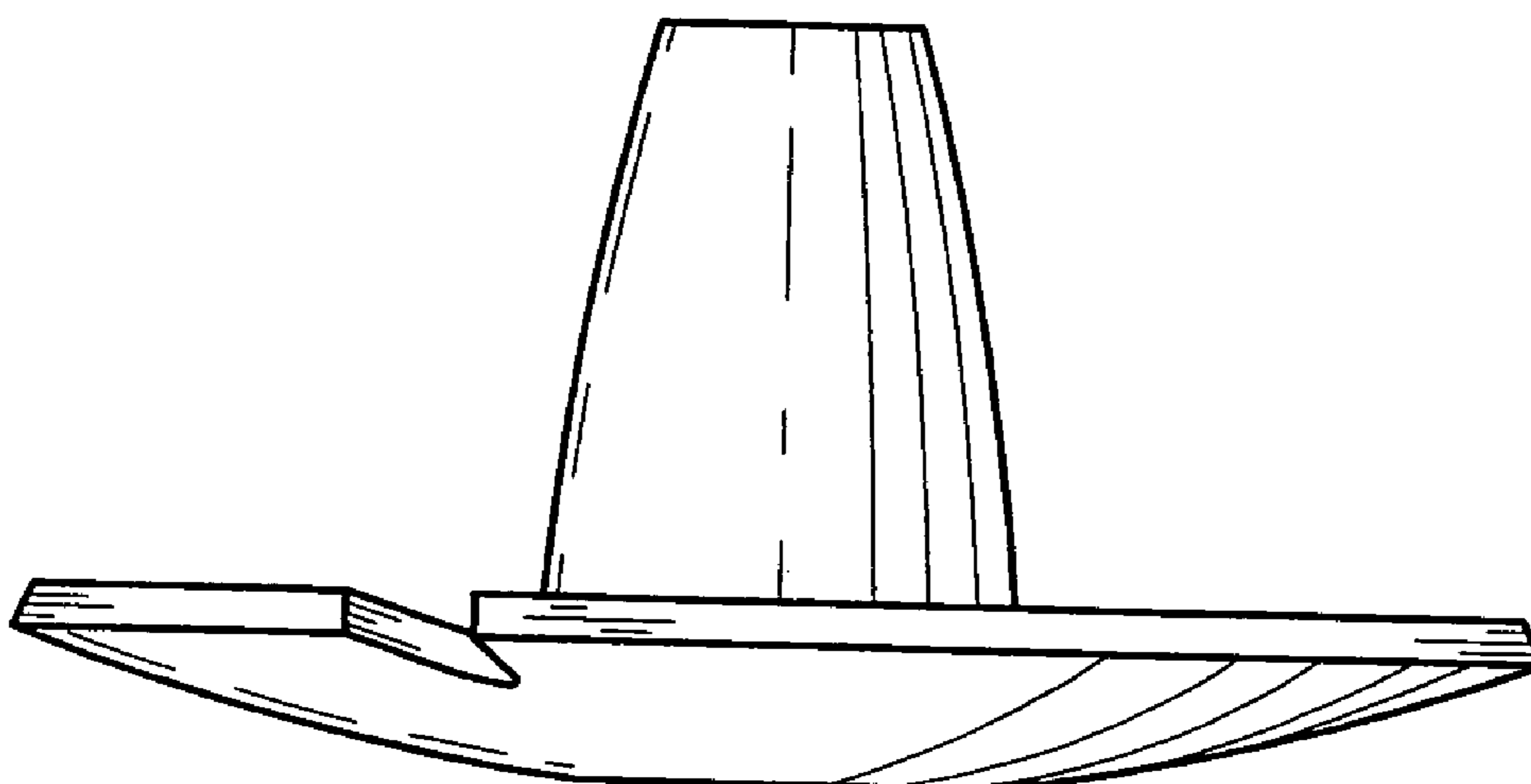


FIG. 5

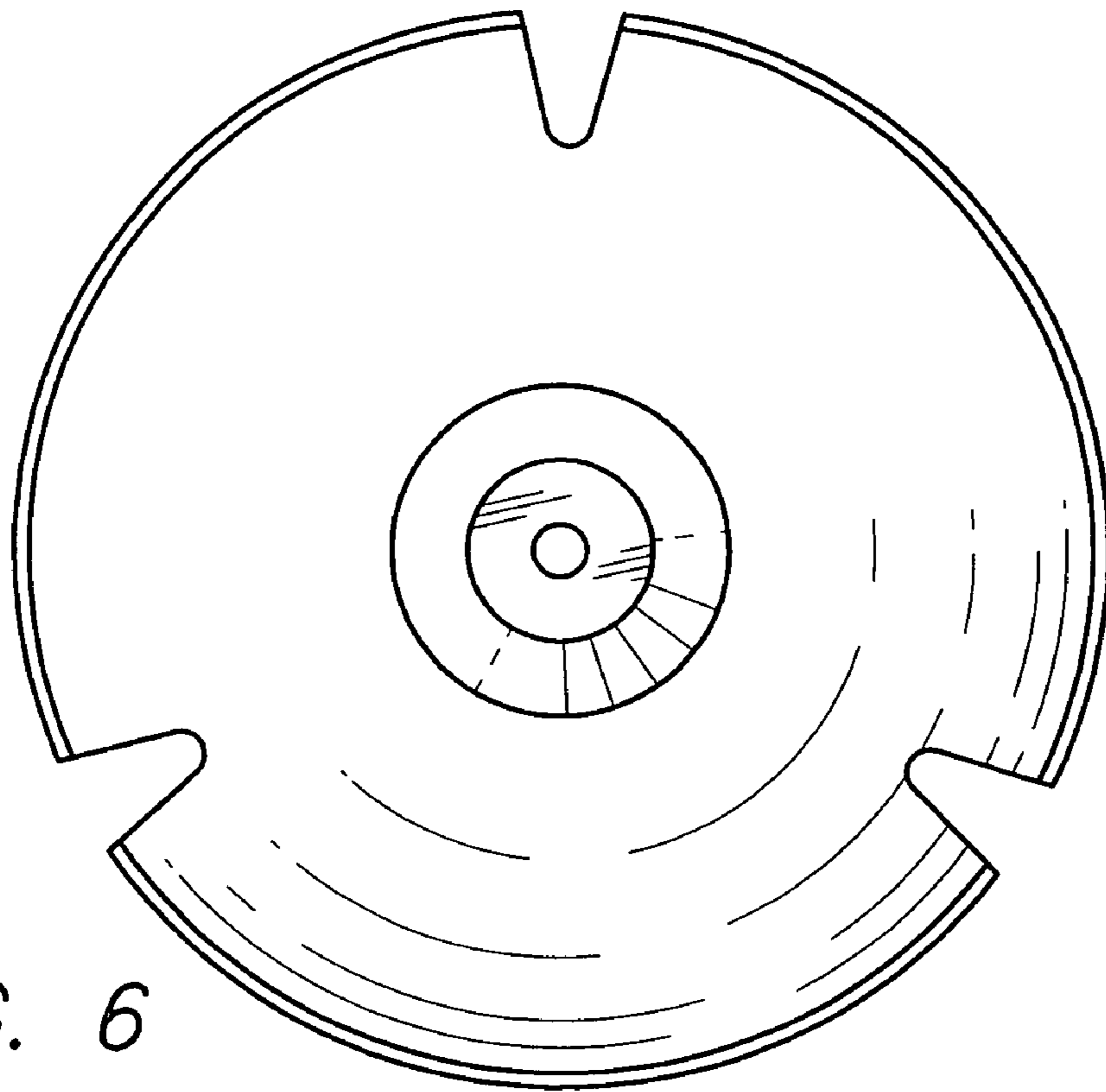


FIG. 6

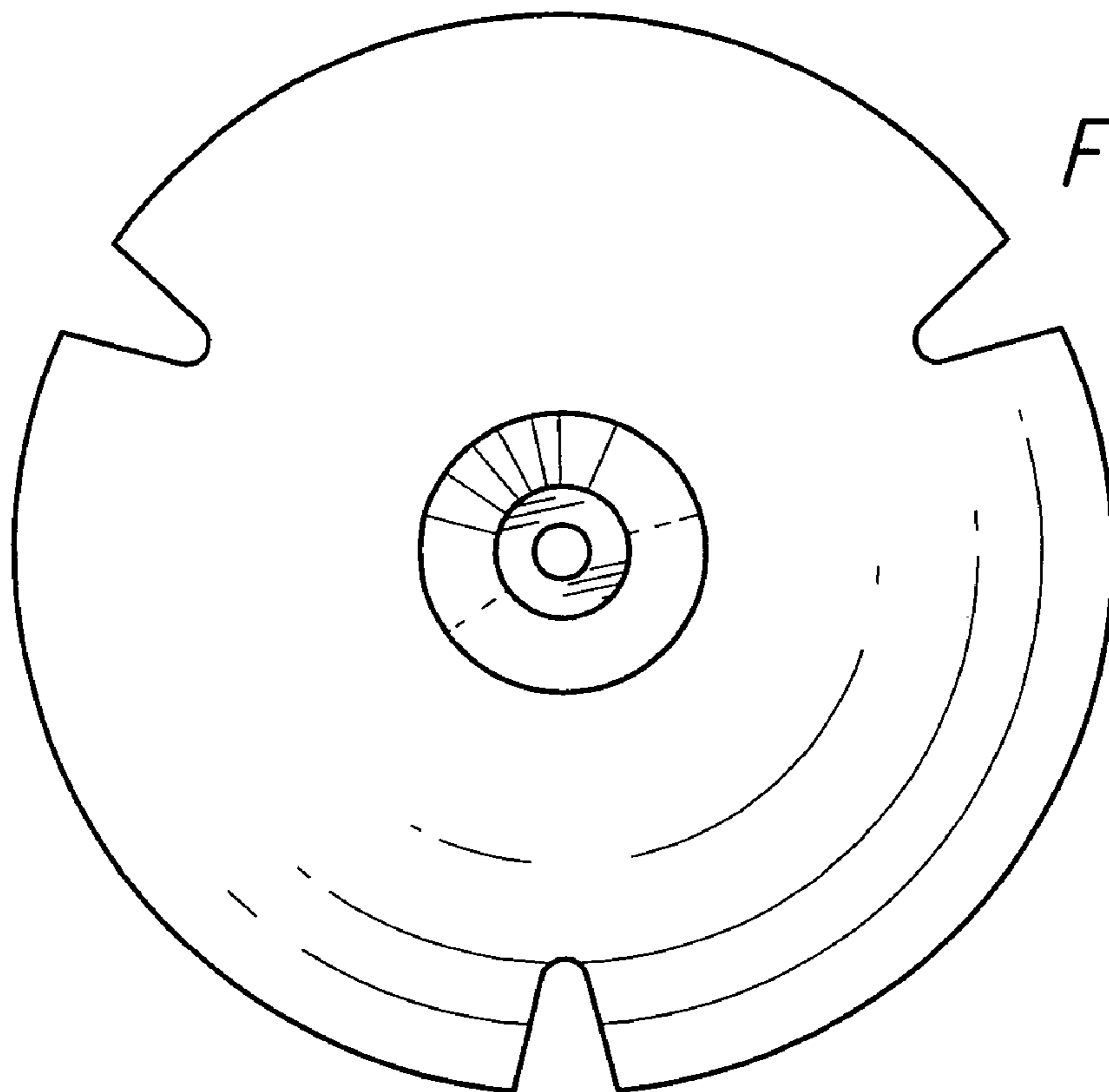


FIG. 7