



US00D551058S

(12) **United States Design Patent**
Carnevali

(10) **Patent No.:** **US D551,058 S**

(45) **Date of Patent:** **** Sep. 18, 2007**

(54) **MAGNETIC MOUNTING PLATFORM**

(76) **Inventor:** **Jeffrey D. Carnevali**, 3262 - 36th Ave.
SW., Seattle, King County, WA (US)
98126

(**) **Term:** **14 Years**

(21) **Appl. No.:** **29/264,572**

(22) **Filed:** **Aug. 10, 2006**

Related U.S. Application Data

(62) Division of application No. 10/402,064, filed on Mar.
27, 2003.

(51) **LOC (8) Cl.** **08-05**

(52) **U.S. Cl.** **D8/354**

(58) **Field of Classification Search** D8/354,
D8/373, 363; D14/451, 224; 248/206.5,
248/317

See application file for complete search history.

(56) **References Cited**

U.S. PATENT DOCUMENTS

5,213,240 A * 5/1993 Dietz et al. 224/183
6,076,790 A * 6/2000 Richter 248/206.5

* cited by examiner

Primary Examiner—Holly H. Baynham

(74) *Attorney, Agent, or Firm*—Charles J. Rupnick, Attorney
at Law

(57) **CLAIM**

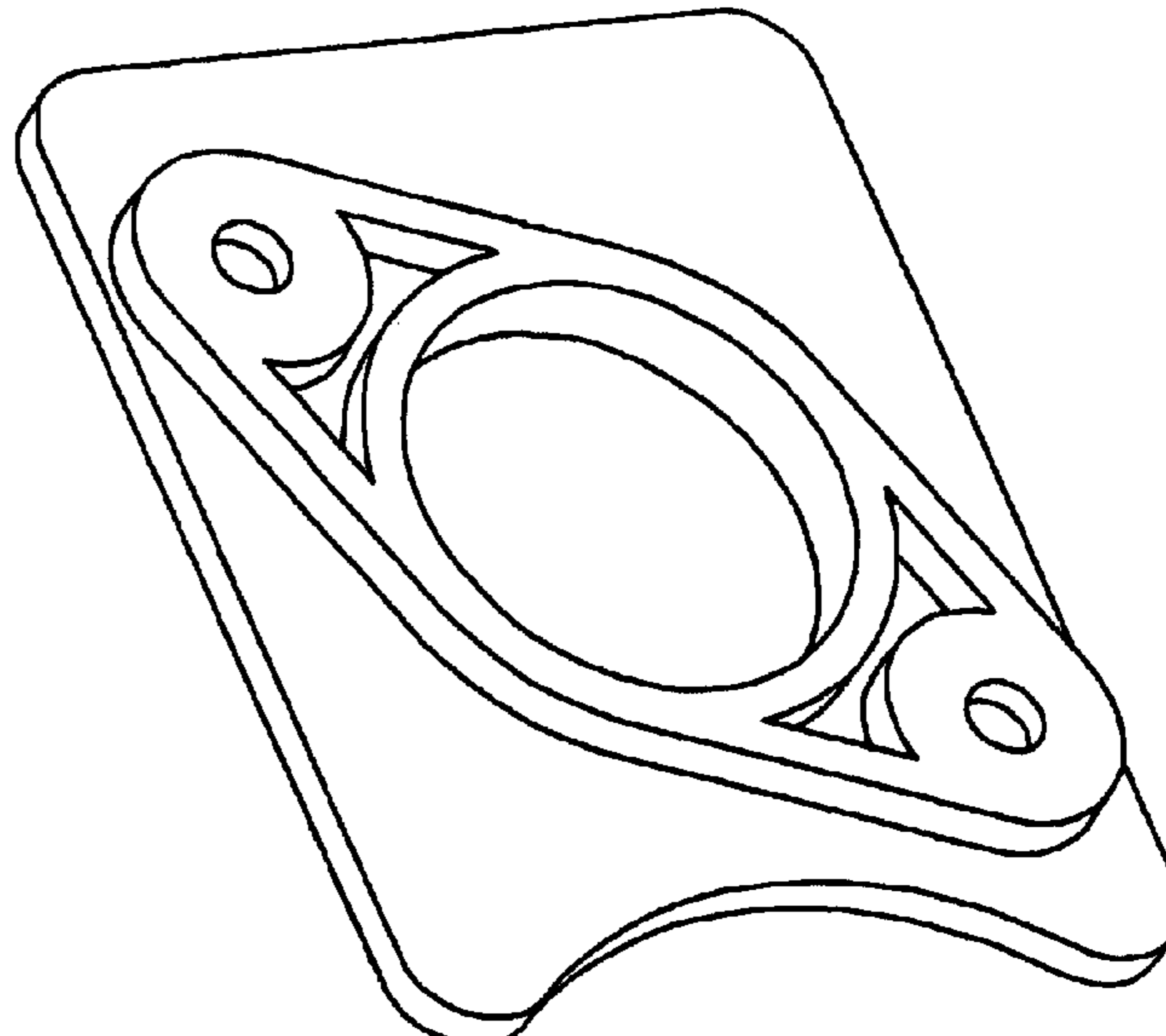
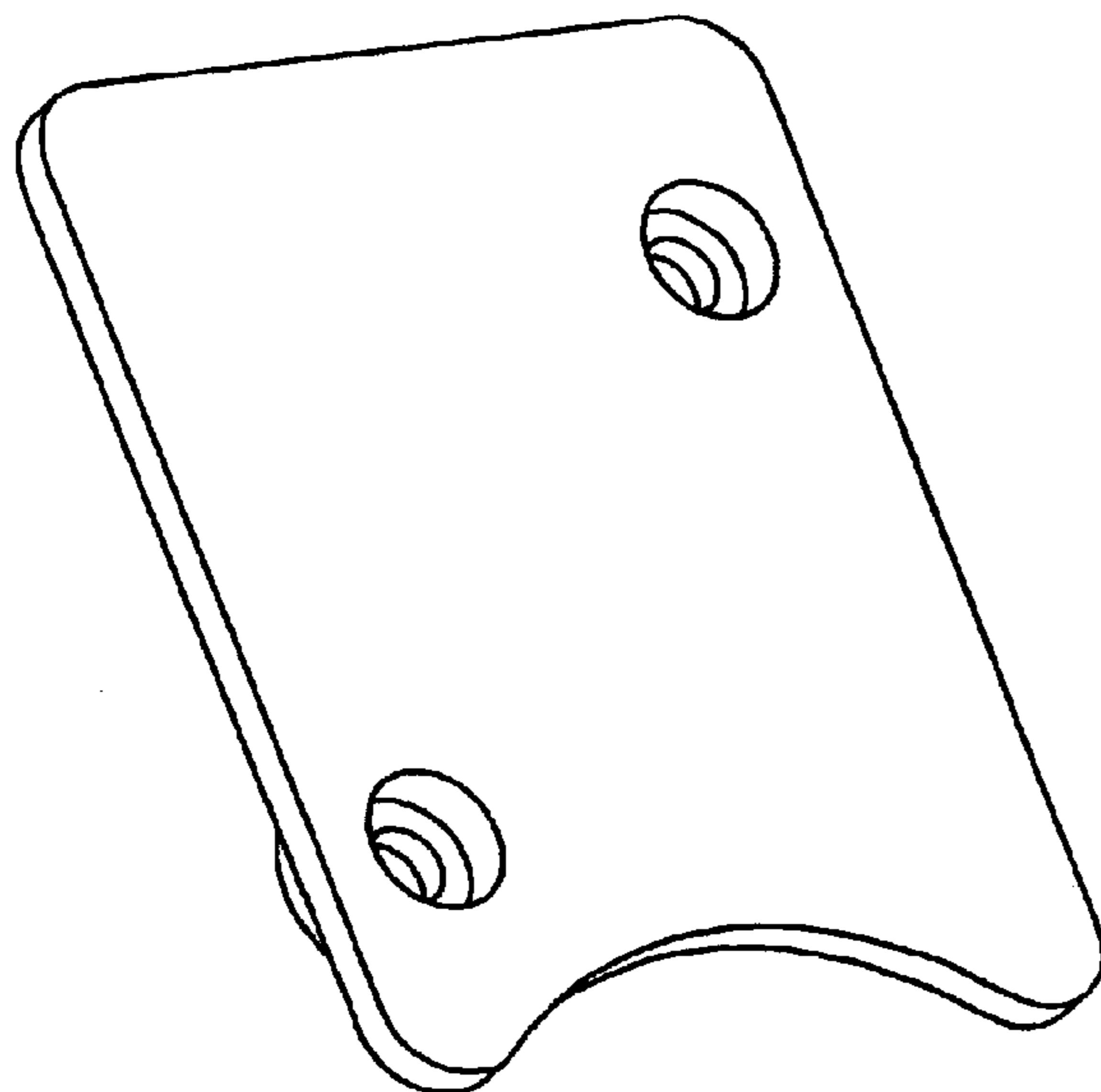
I claim the ornamental design for a magnetic mounting
platform, as shown and described.

DESCRIPTION

FIG. 1 is a perspective view showing top and side portions
of our new design; and,

FIG. 2 is a perspective view showing bottom and side
portions thereof.

1 Claim, 1 Drawing Sheet



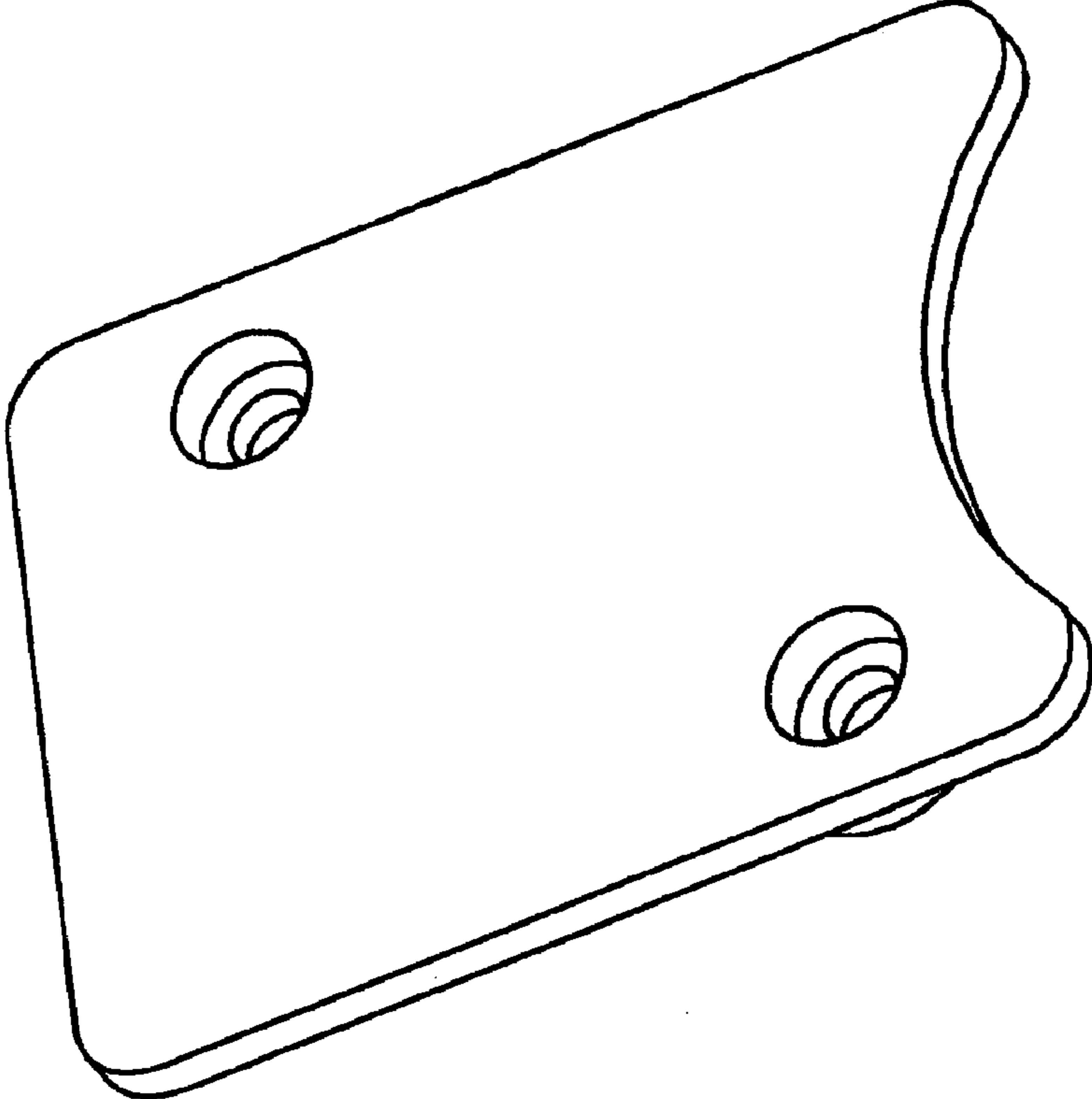


Fig. 1

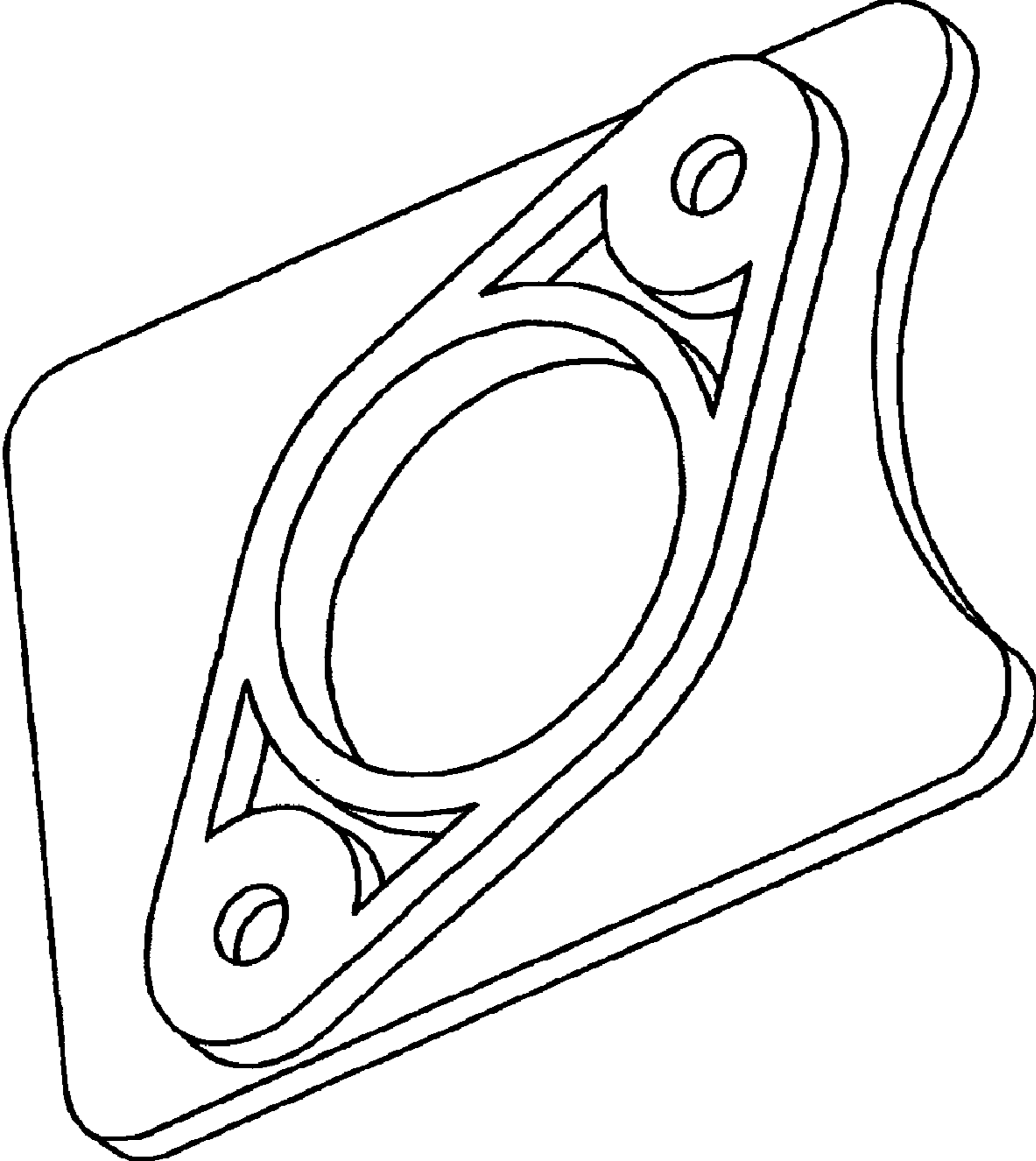


Fig. 2