



US00D551057S

(12) **United States Design Patent**
Min

(10) **Patent No.:** **US D551,057 S**

(45) **Date of Patent:** **** Sep. 18, 2007**

(54) **FINGERPRINT LOCK**

6,912,299 B1 * 6/2005 Hoshino 340/5.53

(76) Inventor: **Hao Min**, No. 1 Haazhongmen Ave.,
Jinying Hanzhong New Building 27
Floor Suite C & D, Najing Jiangsu
Provice 210029 (CN)

* cited by examiner

Primary Examiner—Mitchell Siegel
(74) *Attorney, Agent, or Firm*—Global IP Services; Tianhua
Gu

(**) Term: **14 Years**

(21) Appl. No.: **29/256,037**

(22) Filed: **Mar. 15, 2006**

(30) **Foreign Application Priority Data**

Dec. 29, 2005 (CN) 2005 3 0171877

(51) **LOC (8) Cl.** **08-07**

(52) **U.S. Cl.** **D8/330**

(58) **Field of Classification Search** D8/301,
D8/307, 308, 330–348; 70/14, 20, 278, 51,
70/52, 443, 278.7, 207, 209; 235/382, 382.5;
292/228, 356, 357

See application file for complete search history.

(56) **References Cited**

U.S. PATENT DOCUMENTS

D495,943 S * 9/2004 Hentschel et al. D8/330

D501,388 S * 2/2005 Carpintero D8/301

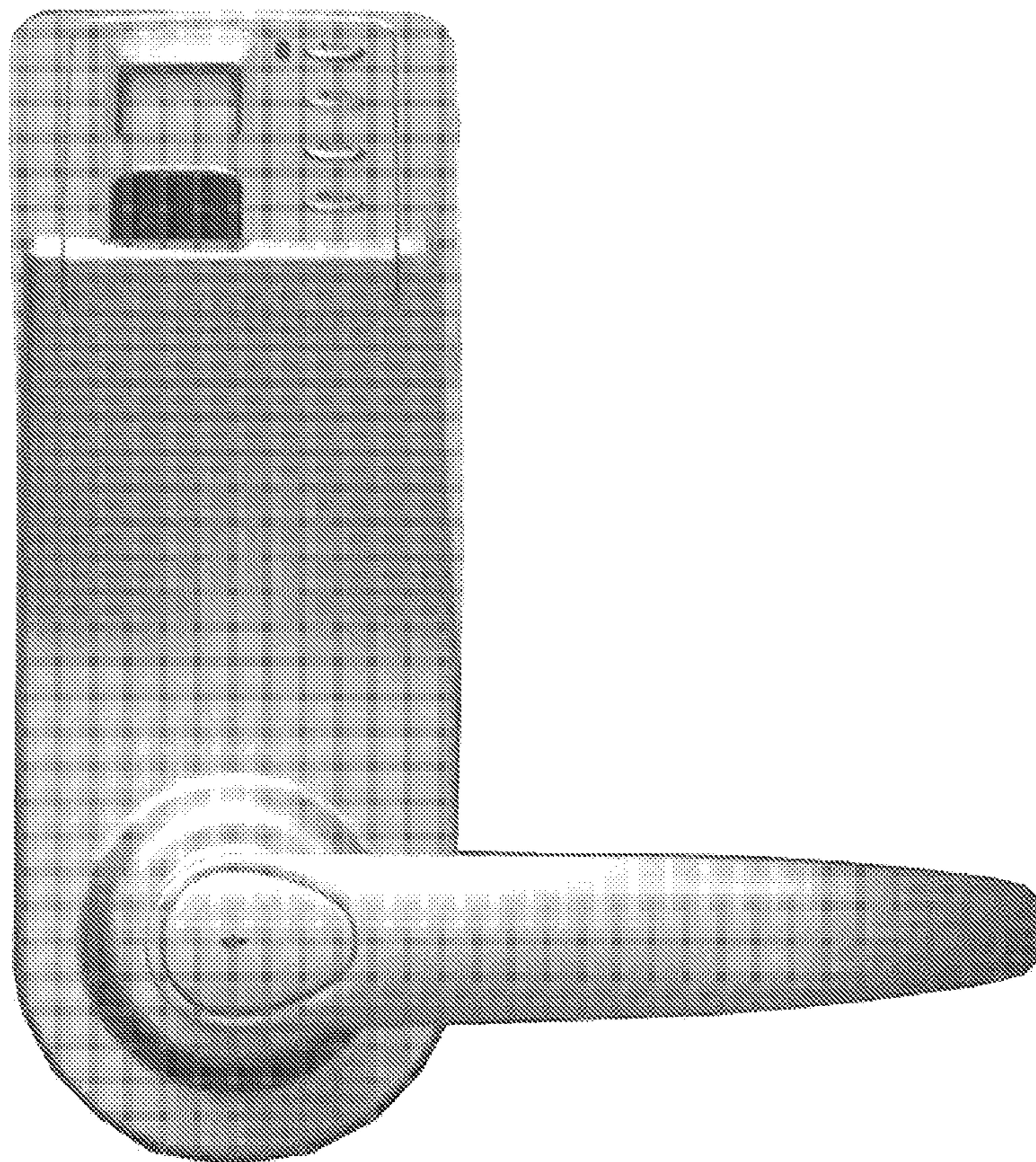
(57) **CLAIM**

The ornamental design for a fingerprint lock, as shown and
described.

DESCRIPTION

FIG. 1 is a front view of the front part of the fingerprint lock;
FIG. 2 is a right side view of the front part thereof;
FIG. 3 is a left side view of the front part thereof;
FIG. 4 is a top view of the front part thereof;
FIG. 5 is a bottom view of the front part thereof;
FIG. 6 is a front view of the rear part of the fingerprint lock;
FIG. 7 is a right side view of the rear part thereof;
FIG. 8 is a left side view of the rear part thereof;
FIG. 9 is a top view of the rear part thereof; and,
FIG. 10 is a bottom view of the rear part thereof.

1 Claim, 6 Drawing Sheets



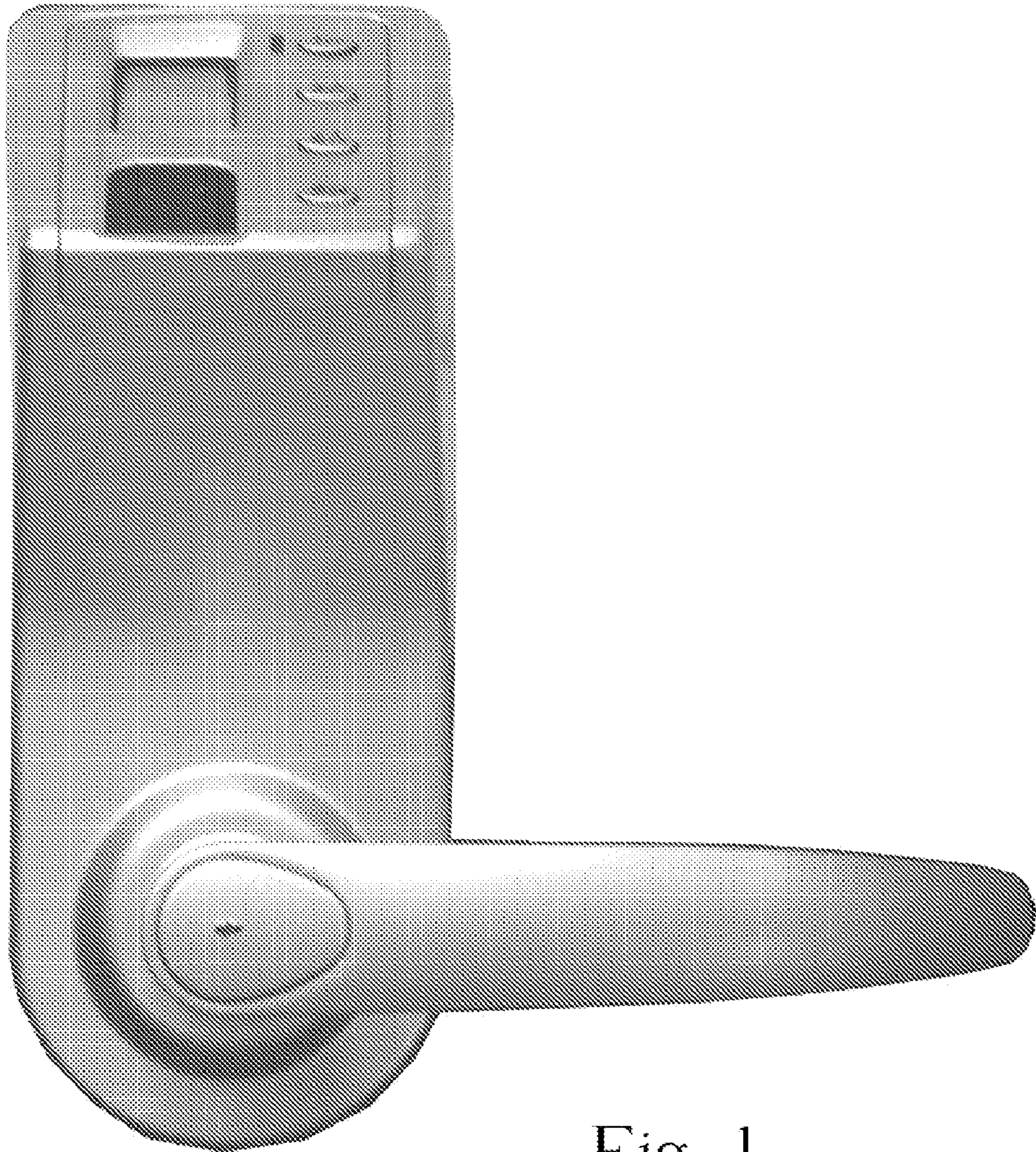


Fig. 1

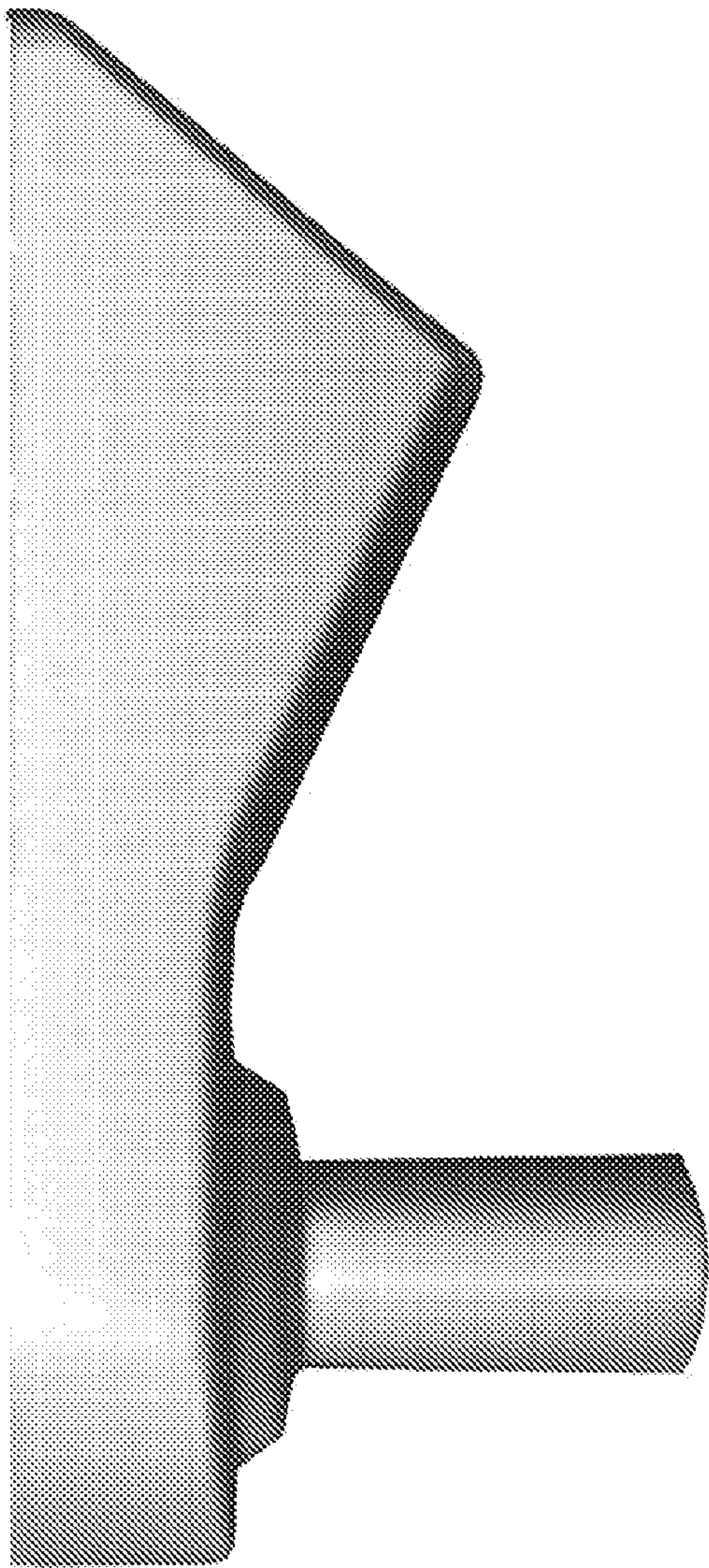


Fig. 3

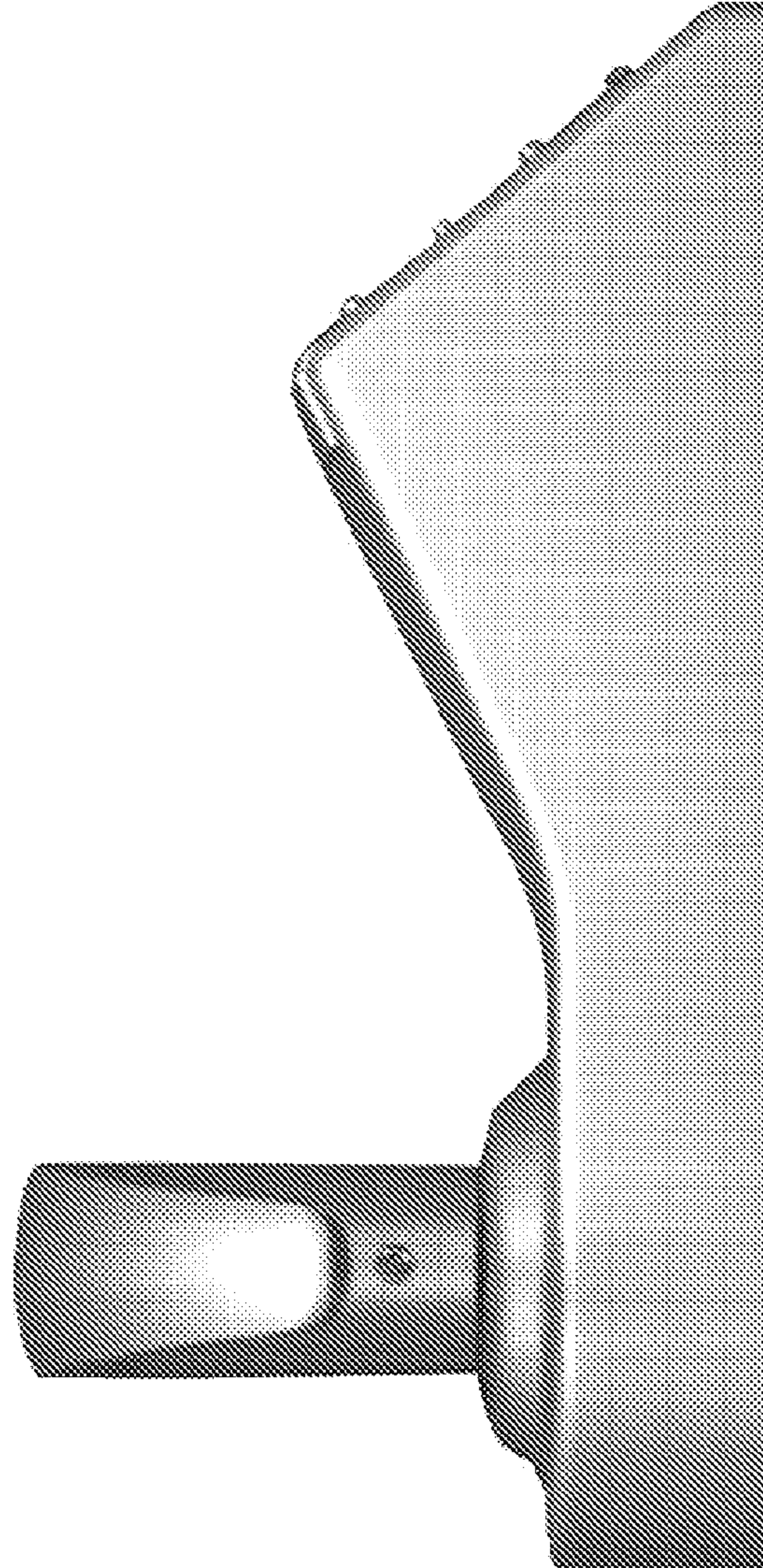


Fig. 2

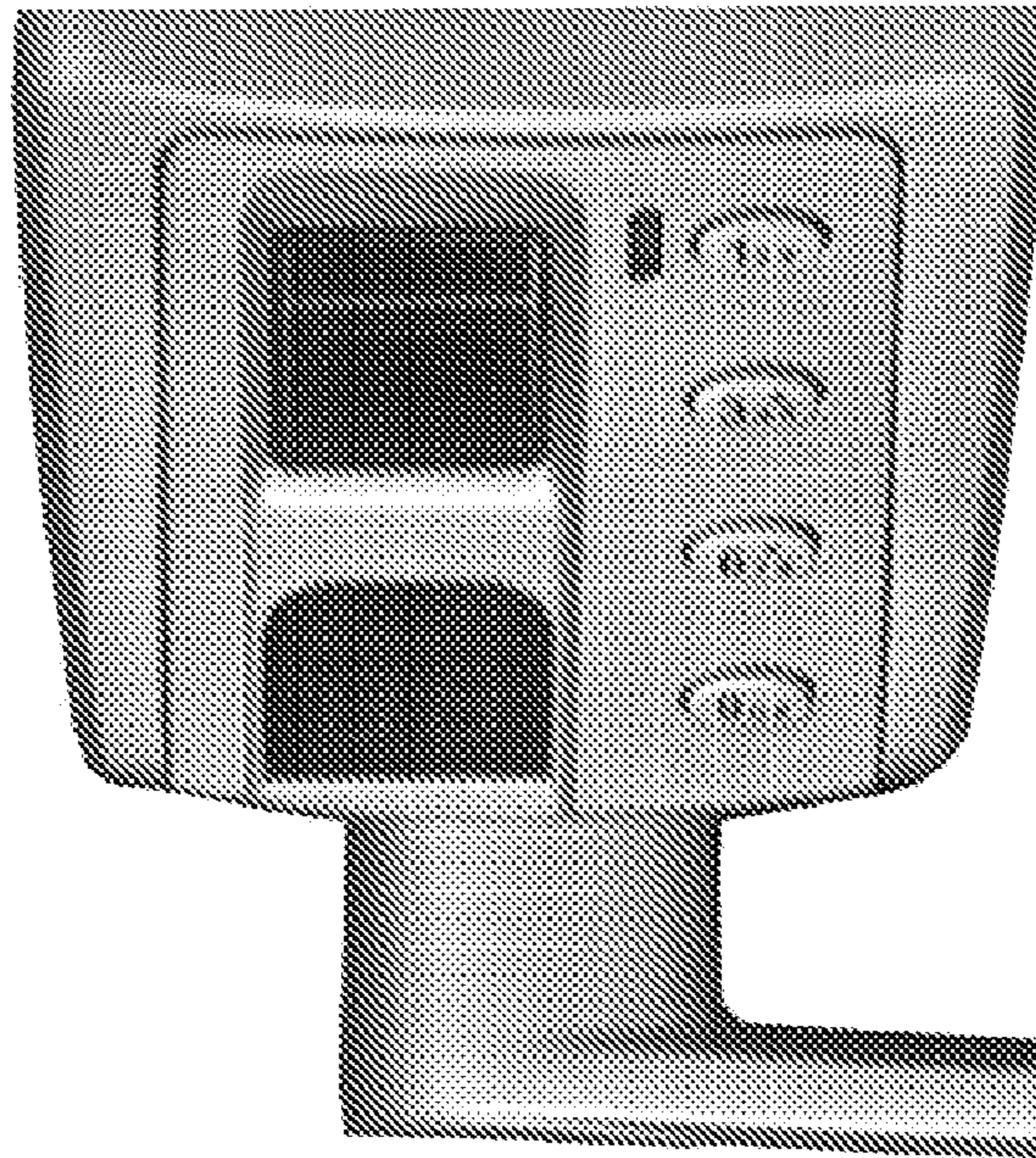


Fig. 4

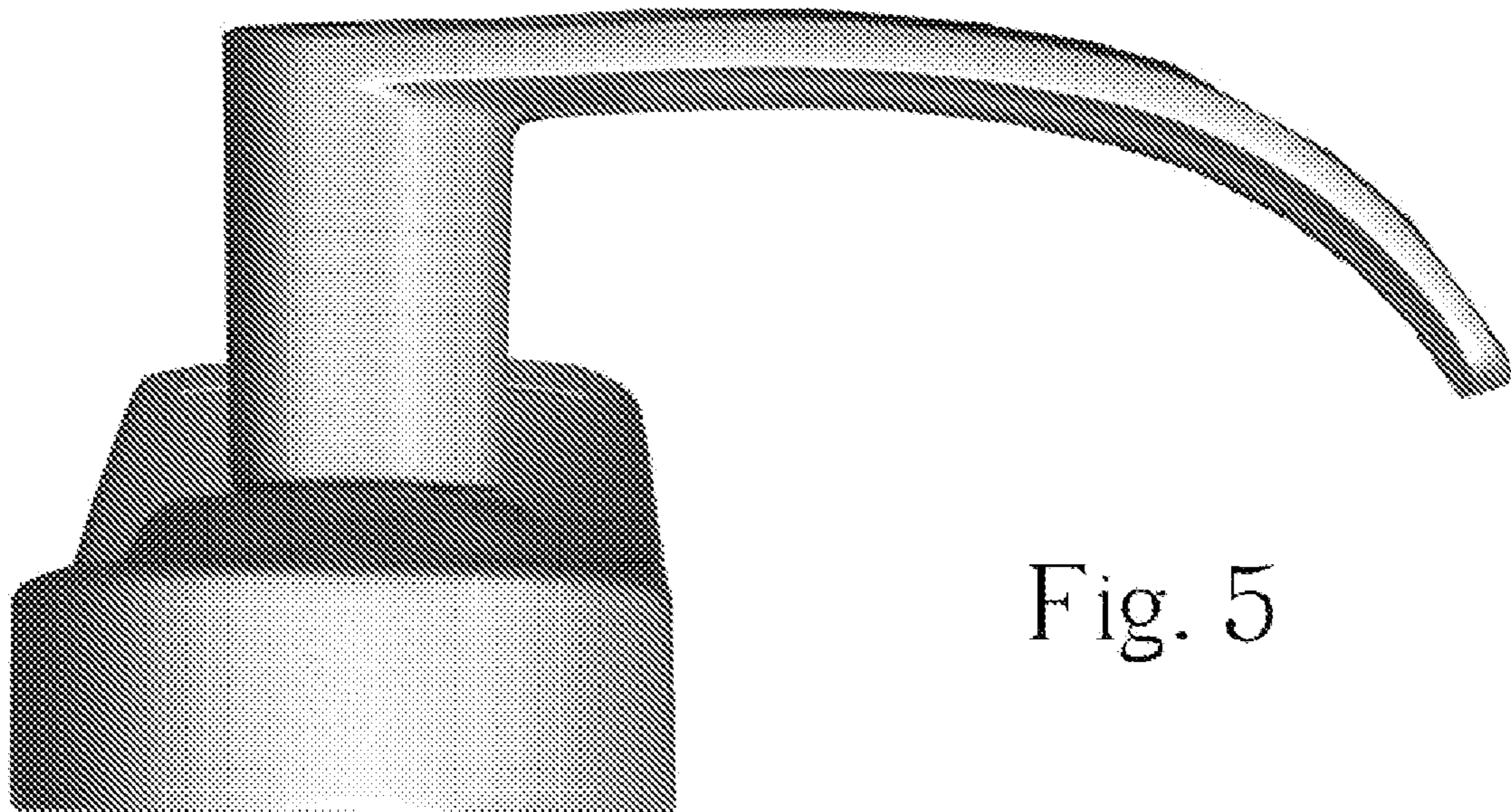


Fig. 5

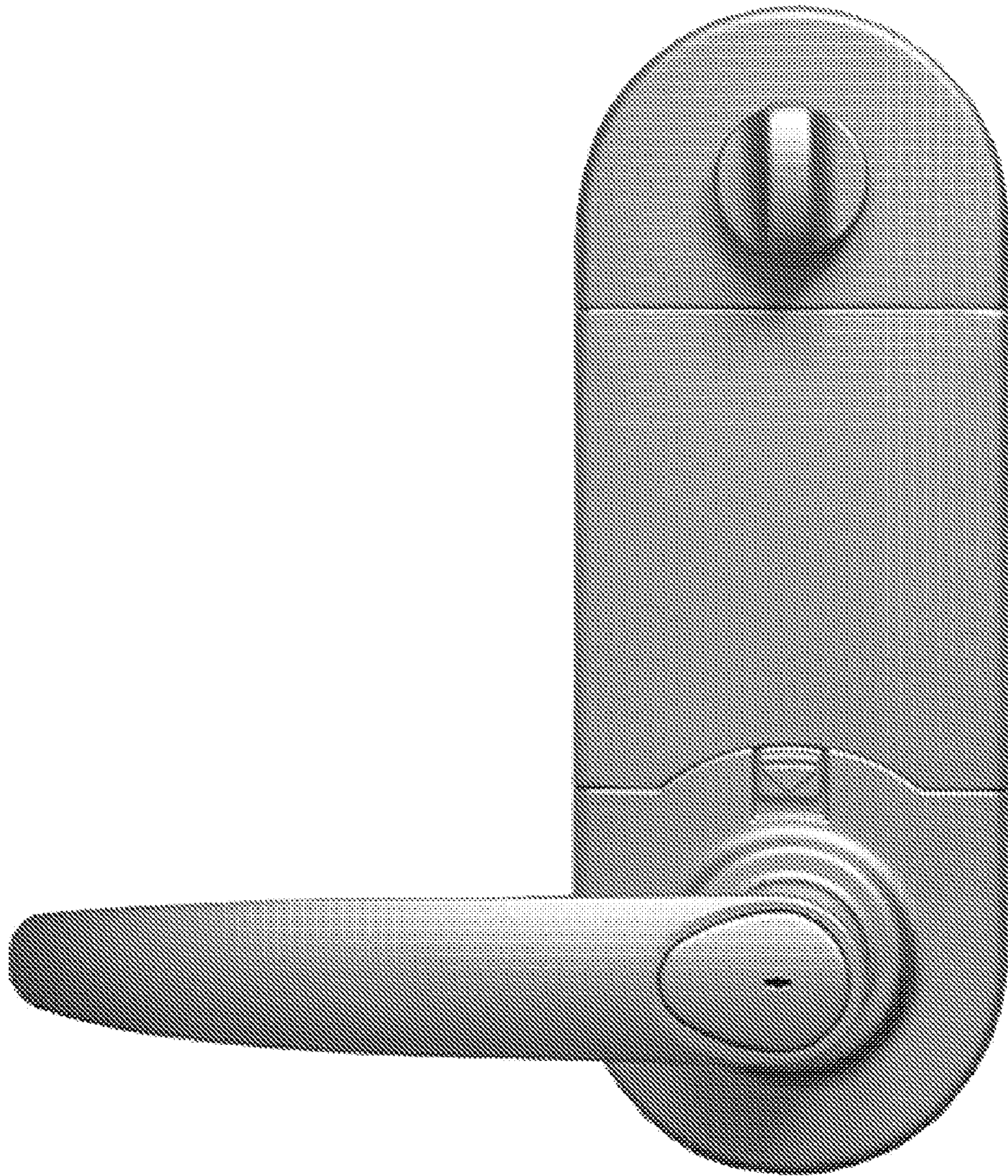


Fig. 6

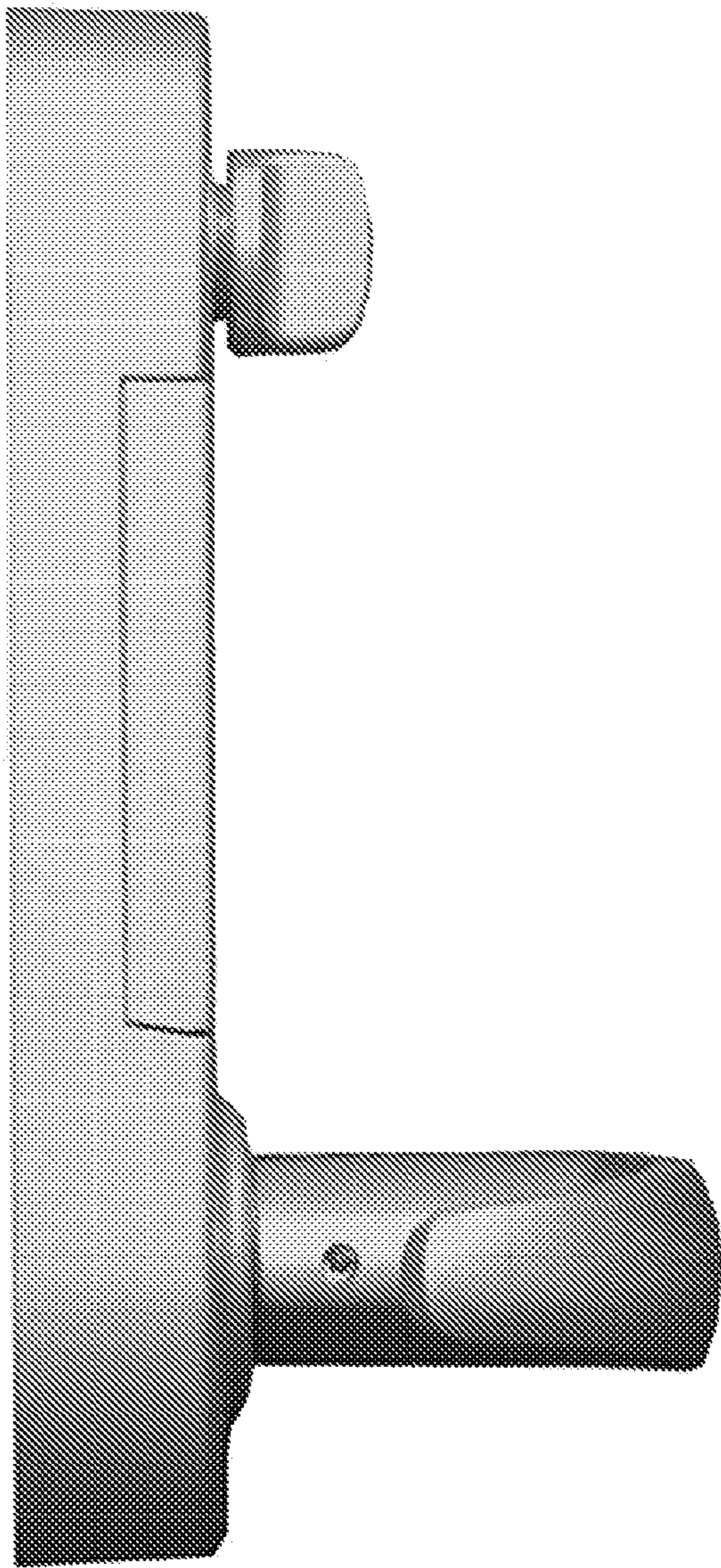


Fig. 8

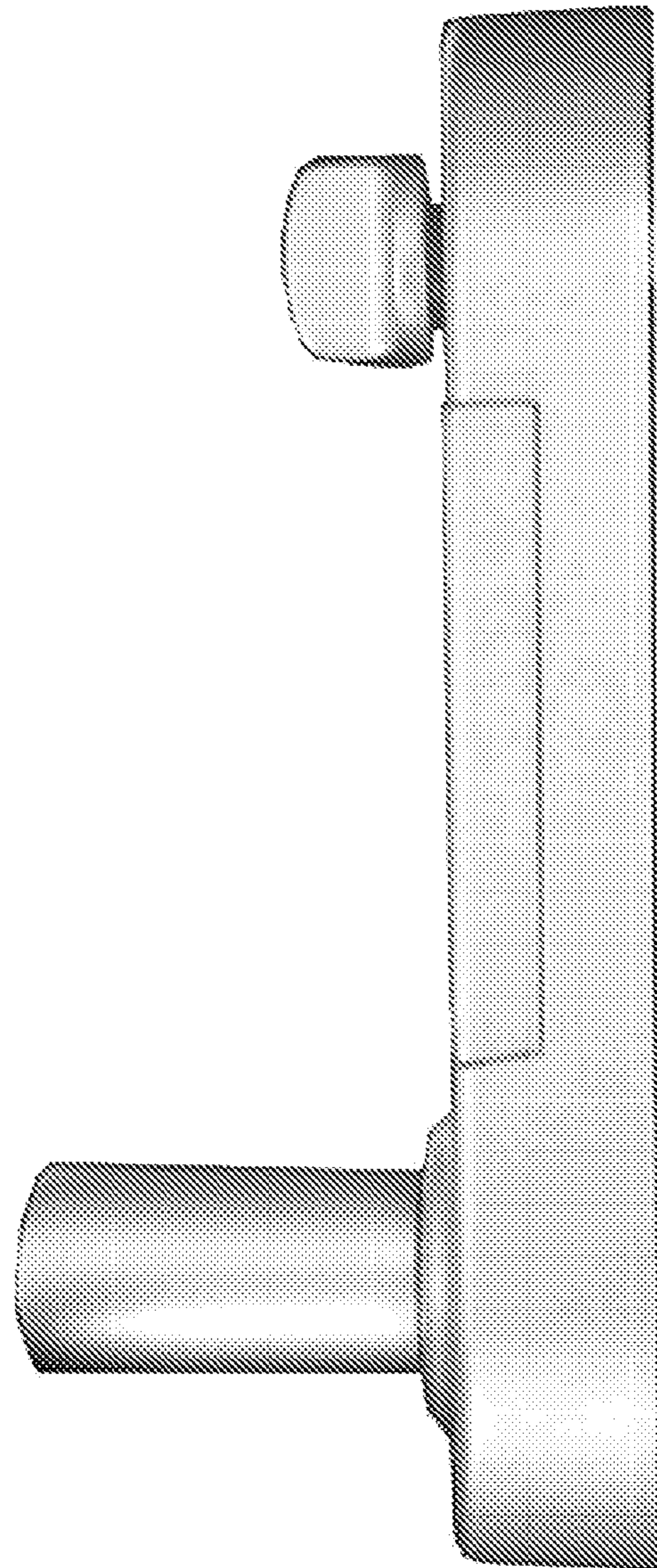


Fig. 7

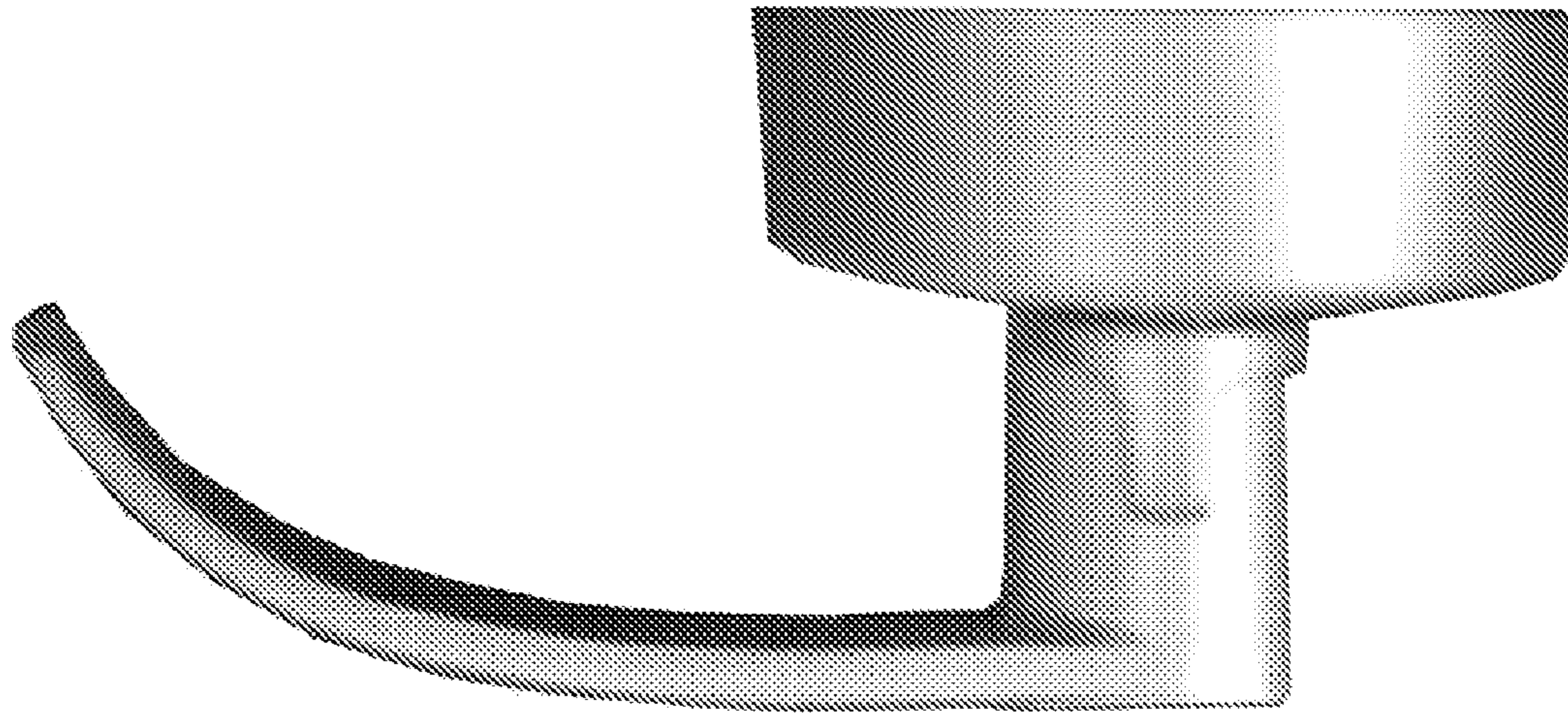


Fig. 9

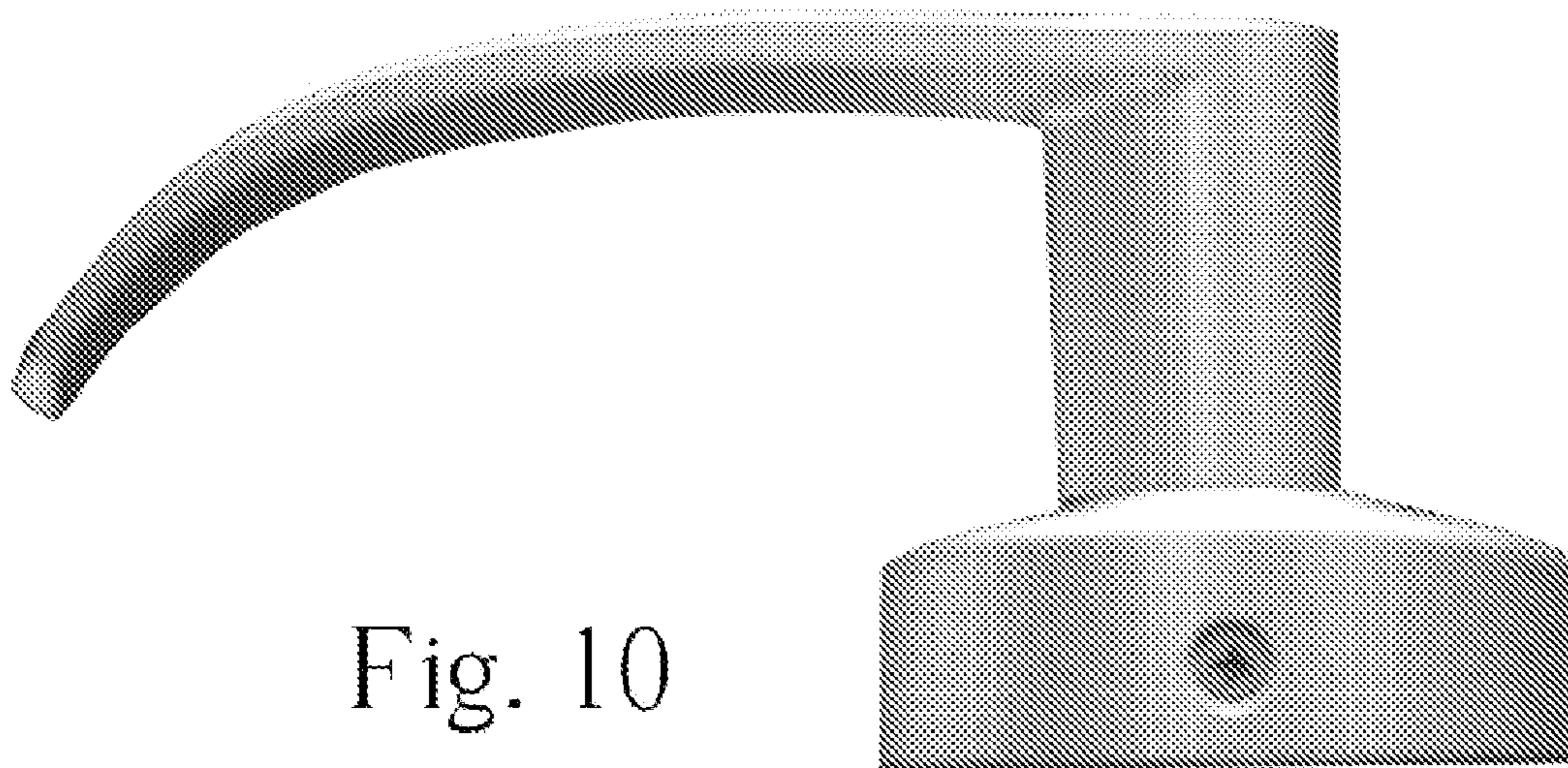


Fig. 10