



US00D551056S

(12) **United States Design Patent**
Ricereto

(10) **Patent No.:** **US D551,056 S**

(45) **Date of Patent:** **** Sep. 18, 2007**

- (54) **PULL**
- (75) Inventor: **Michael Hart Ricereto**, Baltimore, MD (US)
- (73) Assignee: **Newell Operating Company**, Atlanta, GA (US)
- (**) Term: **14 Years**
- (21) Appl. No.: **29/258,391**
- (22) Filed: **Apr. 20, 2006**
- (51) **LOC (8) Cl.** **08-06**
- (52) **U.S. Cl.** **D8/317**
- (58) **Field of Classification Search** D8/300, D8/315, 316, 317, 318, 319, 330, DIG. 1; D6/549; 16/110.1, 410, 414-419, 441, 443-445; D7/394; 220/753
See application file for complete search history.

- D305,863 S 2/1990 Gresens et al.
- D312,381 S 11/1990 Clayton
- D326,219 S 5/1992 Clayton
- D326,990 S 6/1992 Bishop
- D326,991 S 6/1992 Bishop
- D326,992 S 6/1992 Clayton
- D326,993 S 6/1992 Clayton
- D326,994 S 6/1992 Bishop
- D326,997 S 6/1992 Clayton
- D327,407 S 6/1992 Clayton
- D327,420 S 6/1992 Bishop
- D355,834 S 2/1995 Chieda
- D355,835 S 2/1995 Chieda
- D355,837 S 2/1995 Chieda
- D355,838 S 2/1995 Chieda
- D355,839 S 2/1995 Chieda

(Continued)

Primary Examiner—Paula A. Greene
(74) *Attorney, Agent, or Firm*—Banner & Witcoff, Ltd.

(57) **CLAIM**

We claim the ornamental design for a pull, as shown and described.

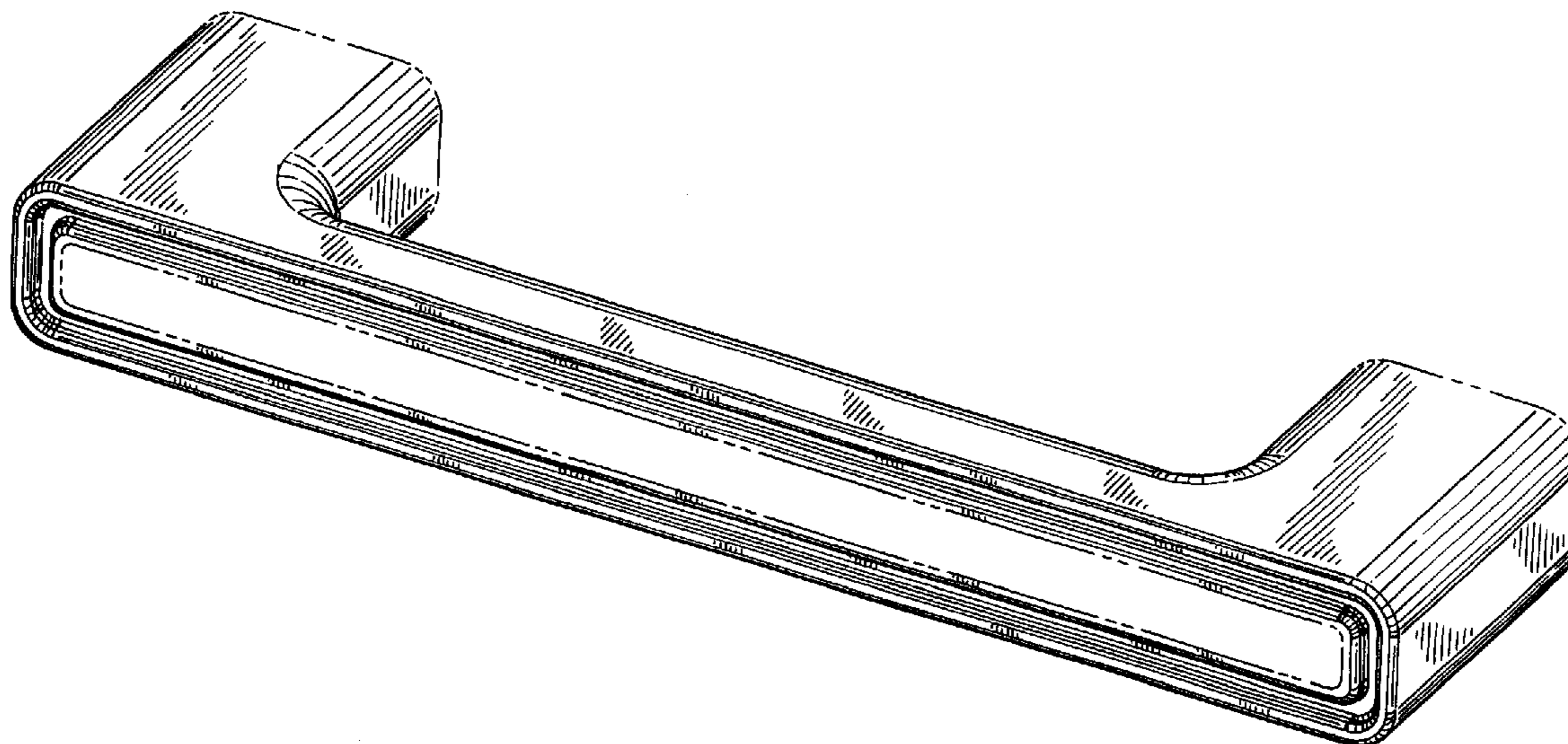
DESCRIPTION

FIG. 1 is an elevated perspective view of the pull handle of the present claimed invention;
FIG. 2 is front view of the pull shown in FIG. 1;
FIG. 3 is an end view of the pull shown in FIG. 1, the opposite end side being identical thereto;
FIG. 4 is a side view of the pull shown in FIG. 1, the opposite side view being identical thereto; and,
FIG. 5 is a rear view of the pull shown in FIG. 1.
Features shown in broken lines in the drawings are not part of the claim.

1 Claim, 2 Drawing Sheets

(56) **References Cited**
U.S. PATENT DOCUMENTS

- D200,953 S * 4/1965 Menezes et al. D8/317
- D267,774 S 2/1983 Pittenger
- D267,926 S 2/1983 Pittenger
- D268,246 S 3/1983 Tegner
- D270,993 S 10/1983 Tegner
- D270,994 S 10/1983 Tegner
- D271,464 S 11/1983 Carlson
- D272,800 S 2/1984 Pawlow
- D274,035 S 5/1984 Pawlow
- D274,123 S 6/1984 Tegner
- D284,737 S 7/1986 Clayton
- D295,827 S 5/1988 Benjamin
- D296,073 S 6/1988 Rhoades
- D297,211 S 8/1988 Rhoades
- D300,505 S 4/1989 Palm, Jr. et al.
- D305,862 S 2/1990 Clayton



US D551,056 S

Page 2

U.S. PATENT DOCUMENTS

D356,724 S	3/1995	Chieda	D396,180 S	7/1998	Burns et al.
D357,168 S	4/1995	Chieda	D399,117 S	10/1998	Burns et al.
D361,491 S	8/1995	Chieda	D399,406 S *	10/1998	Decursu et al. D8/317
D361,492 S	8/1995	Chieda	D399,407 S	10/1998	Burns et al.
D361,493 S	8/1995	Chieda	D399,723 S	10/1998	Burns et al.
D361,496 S	8/1995	Chieda	D401,834 S	12/1998	Burns et al.
D361,498 S	8/1995	Chieda	D401,835 S	12/1998	Burns et al.
D361,707 S	8/1995	Chieda	D403,230 S *	12/1998	Ziemer et al. D8/317
D366,998 S	2/1996	Hollingsworth	D403,571 S	1/1999	Burns et al.
D367,217 S	2/1996	Hollingsworth-Ainscough	D406,745 S	3/1999	Burns et al.
D367,417 S	2/1996	Ainscough	D411,728 S	6/1999	O'Neil
D368,014 S	3/1996	Ainscough	D411,793 S	7/1999	O'Neil
D368,638 S	4/1996	Sonnenleiter	D411,794 S	7/1999	O'Neil
D368,639 S	4/1996	Chieda	D411,795 S	7/1999	O'Neil
D368,640 S	4/1996	Sonnenleiter	D413,248 S	8/1999	O'Neil
D368,642 S	4/1996	Chieda	D414,100 S	9/1999	O'Neil
D368,643 S	4/1996	Sonnenleiter	D415,405 S	10/1999	O'Neil
D368,644 S	4/1996	Bishop	D416,465 S	11/1999	O'Neil
D368,842 S	4/1996	Sonnenleiter	D418,387 S	1/2000	O'Neil
D370,613 S	6/1996	Ainscough	D418,388 S	1/2000	O'Neil
D370,614 S	6/1996	Ainscough	D418,389 S	1/2000	O'Neil
D371,062 S	6/1996	Ainscough	D429,455 S	8/2000	Burns et al.
D372,414 S	8/1996	De'Armond	D429,991 S	8/2000	Short
D372,657 S	8/1996	De'Armond	D431,442 S	10/2000	Short
D372,659 S	8/1996	De'Armond	D431,444 S	10/2000	Short
D373,065 S	8/1996	De'Armond	D431,445 S	10/2000	Short
D373,066 S	8/1996	De'Armond	D431,996 S	10/2000	Short
D373,067 S	8/1996	De'Armond	D434,633 S	12/2000	Short
D374,390 S	10/1996	De'Armond	D434,962 S	12/2000	Short
D377,655 S	1/1997	Smith	D434,963 S	12/2000	Short
D377,747 S	2/1997	De'Armond	D435,424 S	12/2000	Short
D381,252 S	7/1997	Chieda	D435,426 S	12/2000	Short
D386,667 S	11/1997	Smith	D437,202 S	2/2001	O'Neil
D396,179 S	7/1998	Burns et al.			

* cited by examiner

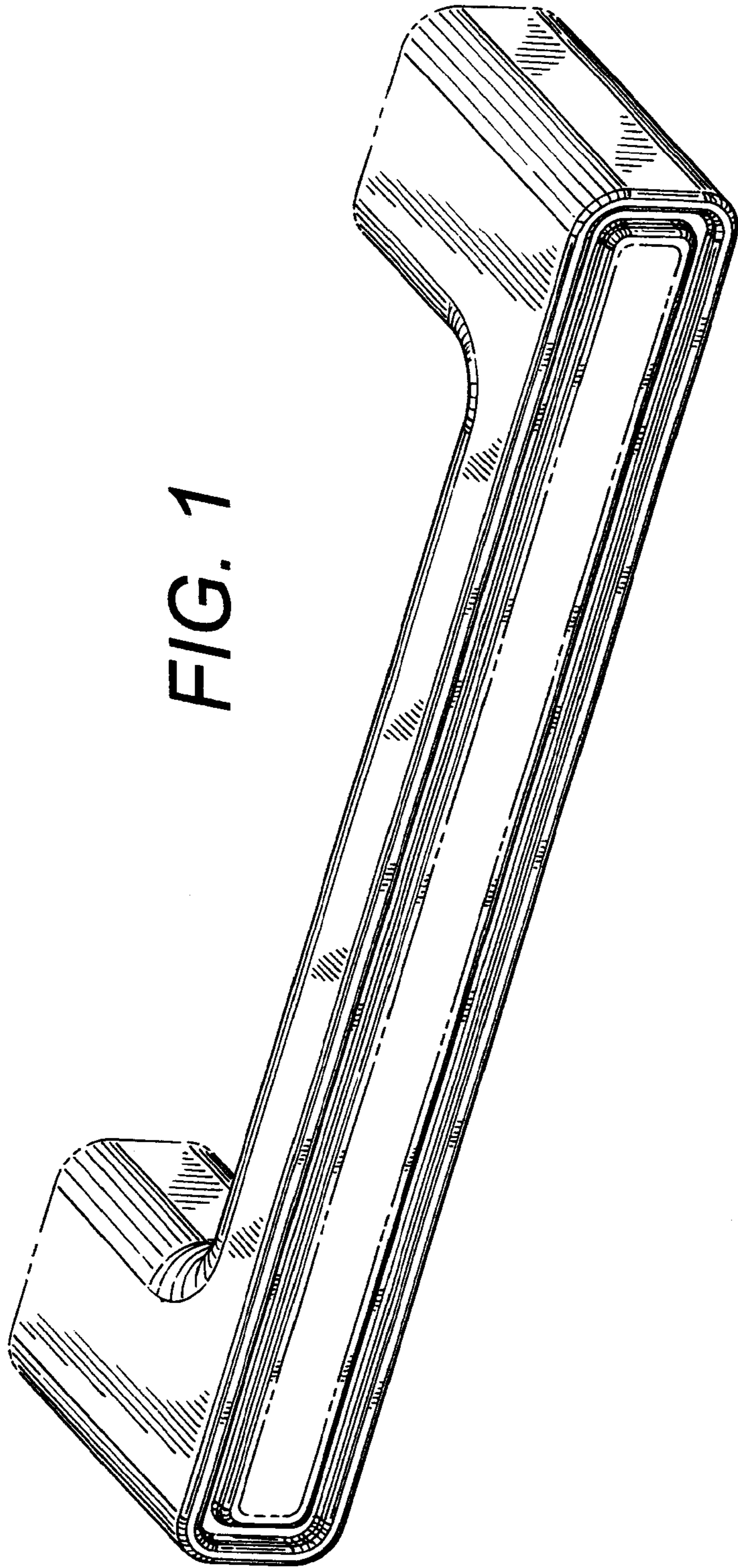
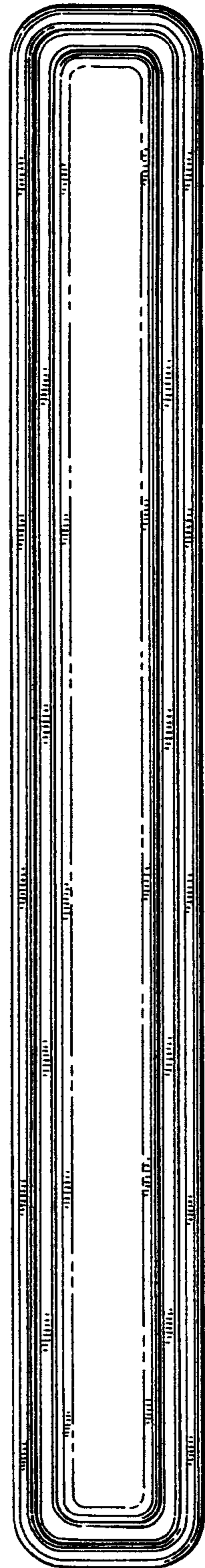


FIG. 1

FIG. 2



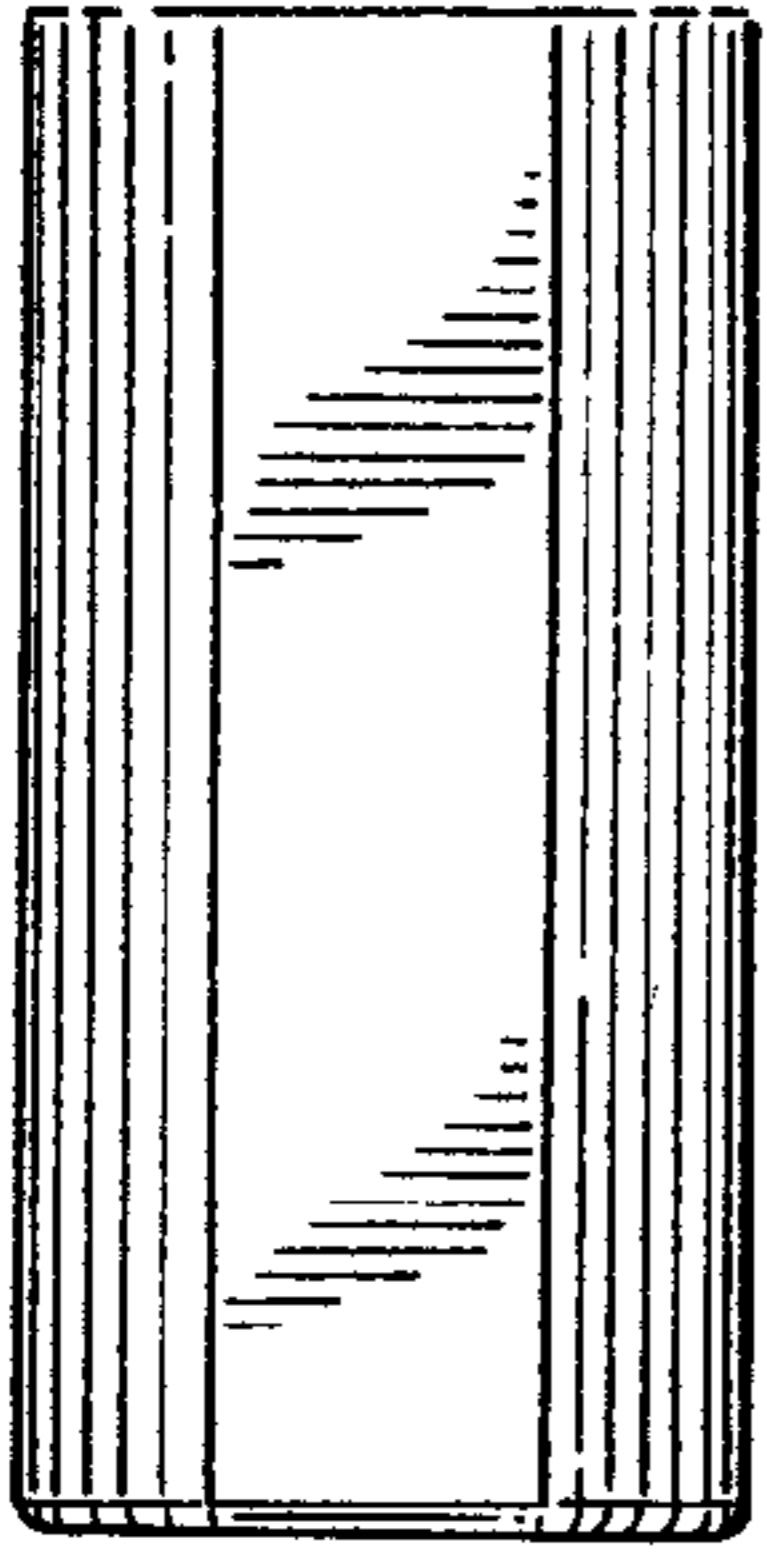


FIG. 3

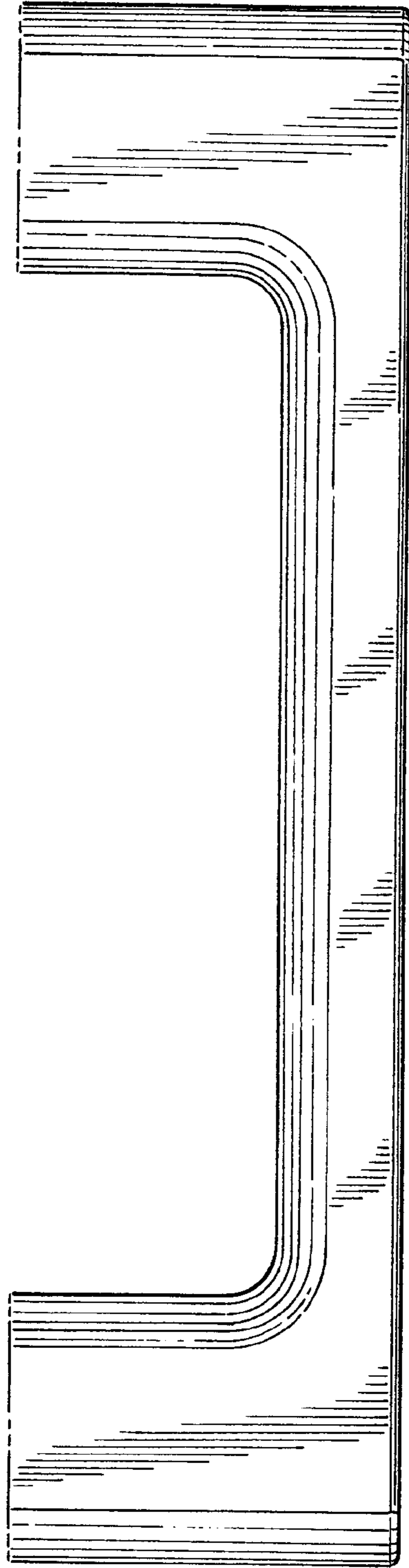


FIG. 4

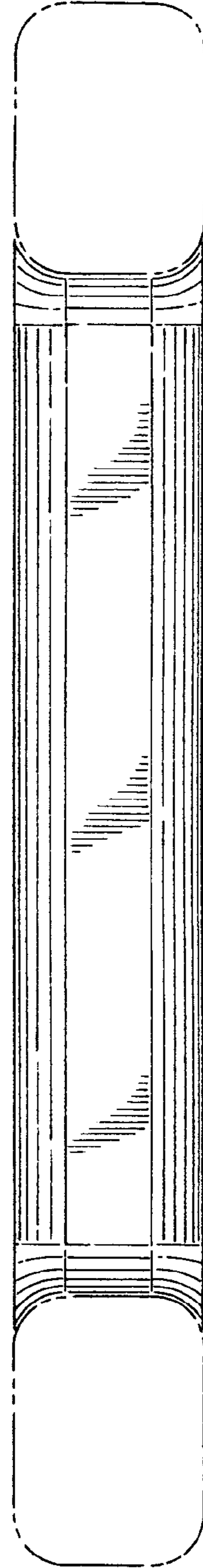


FIG. 5