



US00D551053S

(12) **United States Design Patent** (10) **Patent No.:** **US D551,053 S**
Bruno et al. (45) **Date of Patent:** **** Sep. 18, 2007**

(54) **CONTOURED HANDLE FOR TAPING KNIFE**

(75) Inventors: **Robert Bruno**, Avon, CT (US); **Jason Lind**, Barkhamsted, CT (US); **Matthew Earle Myers**, Naperville, IL (US)

(73) Assignee: **United States Gypsum Company**, Chicago, IL (US)

(**) Term: **14 Years**

(21) Appl. No.: **29/270,667**

(22) Filed: **Dec. 29, 2006**

Related U.S. Application Data

(63) Continuation of application No. 29/234,782, filed on Jul. 22, 2005, now Pat. No. Des. 541,616.

(51) **LOC (8) Cl.** **08-05**

(52) **U.S. Cl.** **D8/107**

(58) **Field of Classification Search** D8/45, D8/14, 107, 21, 27, 47, 82-87, 99-101, DIG. 7; D7/393, 395, 688, 693; 15/235.3, 236.01; 16/DIG. 12, DIG. 18, DIG. 19, 110.1, 421, 16/422, 430, 431, 435; 81/177.1, 436-439, 81/489-492, 60-62, 63.1; 192/43.2
See application file for complete search history.

(56) **References Cited**

U.S. PATENT DOCUMENTS

D157,904 S	3/1950	Reusch
D206,517 S	12/1966	Han
3,971,094 A	7/1976	Solf et al.
D282,716 S	2/1986	Heinis et al.
4,719,660 A	1/1988	Hopkins
D319,379 S	8/1991	Cummings et al.
5,390,572 A	2/1995	Gakhar et al.
5,615,445 A	4/1997	Kelsay et al.
D389,720 S	1/1998	Warner et al.
D397,281 S	8/1998	Hsu et al.
5,850,663 A	12/1998	Hardy et al.
5,920,943 A	7/1999	Barker
D414,395 S	9/1999	Panfilii

5,956,799 A	9/1999	Panaccione et al.
6,131,290 A	10/2000	Chiou
D441,269 S	5/2001	Tsai
D444,692 S	7/2001	Marquardt
D446,104 S	8/2001	Chen
D446,437 S	8/2001	Chen
D462,251 S	9/2002	Collins et al.
6,453,563 B1	9/2002	Farland
RE38,093 E	4/2003	Chiou
6,588,113 B2	7/2003	Bozikis et al.
D482,259 S	11/2003	Chen
6,647,629 B2	11/2003	Farland
D482,874 S	12/2003	Dotterman
D483,244 S	12/2003	Chen
D483,638 S	12/2003	Jimenez
D484,021 S	12/2003	Mariol
6,668,751 B1	12/2003	Henke

(Continued)

Primary Examiner—Alan P. Douglas

Assistant Examiner—Barbara Fox

(74) *Attorney, Agent, or Firm*—Greer, Burns & Crain, Ltd; Michael M. Geoffrey; David F. Janci

(57) **CLAIM**

The ornamental design for a contoured handle for taping knife, as shown and described.

DESCRIPTION

FIG. 1 is a front view of the present handle, the rear being identical;

FIG. 2 is a left side view of same, the right side being identical;

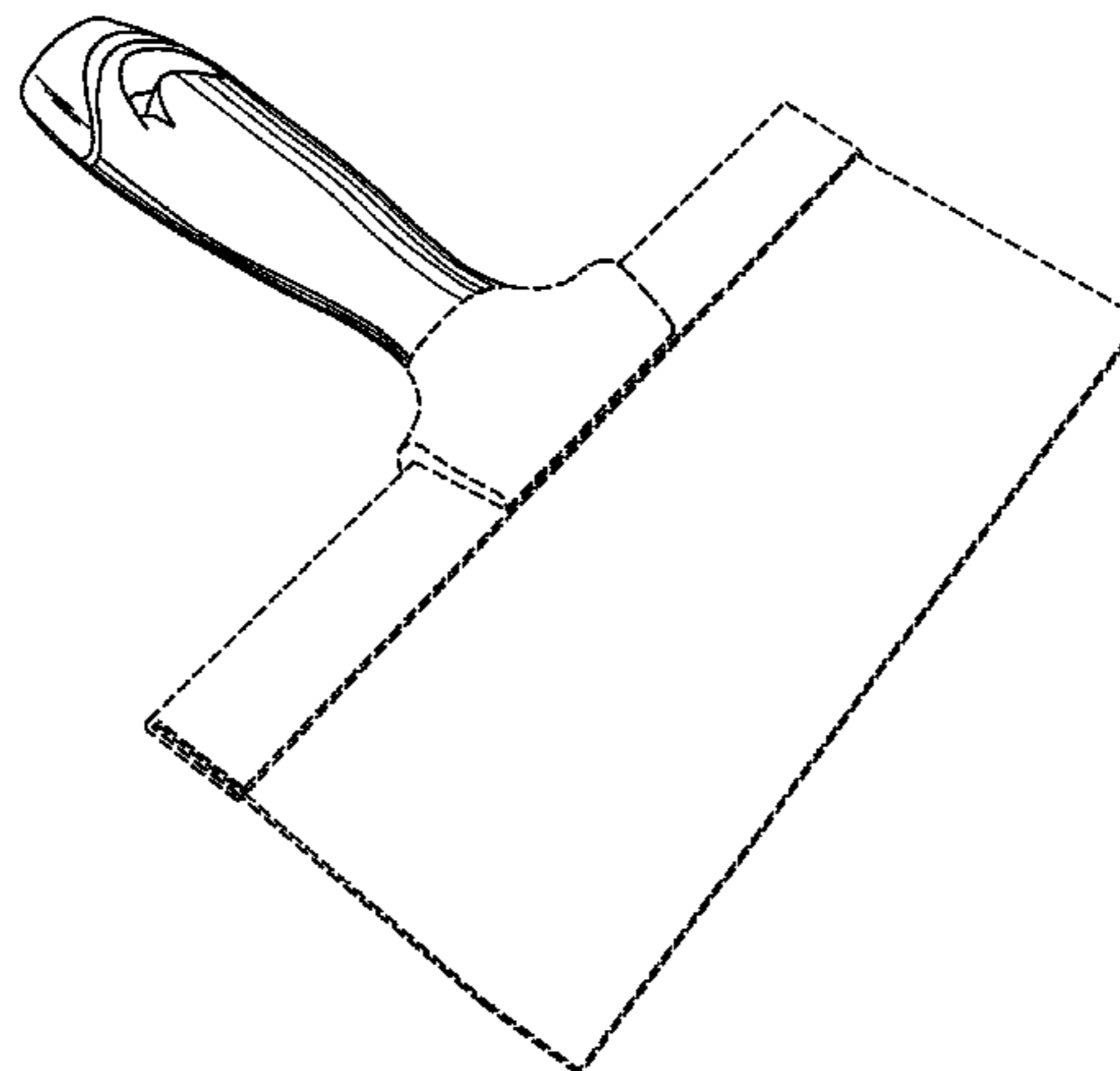
FIG. 3 is a top view of the handle of FIG 1;

FIG. 4 is a bottom view of same; and,

FIG. 5 is top perspective view of the handle of FIG. 1.

The subject matter depicted in broken lines is not intended to be part of the claimed invention and is shown only for environment purposes.

1 Claim, 4 Drawing Sheets



US D551,053 S

Page 2

U.S. PATENT DOCUMENTS

D486,046 S	2/2004	Norton	D534,411 S *	1/2007	Kuo	D8/107
D487,219 S	3/2004	Chudy et al.	D534,725 S *	1/2007	Vu	D4/101
D487,387 S	3/2004	Chen	D534,781 S *	1/2007	Chen	D8/107
6,742,215 B2	6/2004	Panfili et al.	D536,233 S *	2/2007	Lin	D8/107
D494,830 S	8/2004	Konen	D537,590 S *	2/2007	Hay	D32/51
D495,227 S	8/2004	Hung	D538,625 S *	3/2007	Chen	D8/107
D498,124 S	11/2004	Mitchell	D538,626 S *	3/2007	Hsieh-Yeh	D8/107
D500,600 S	1/2005	Hay et al.	2003/0084545 A1	5/2003	Cheng	
D532,277 S *	11/2006	Shih	2007/0017052 A1*	1/2007	Bruno et al.	15/236.01
D532,278 S *	11/2006	Shih				

* cited by examiner

FIG. 1

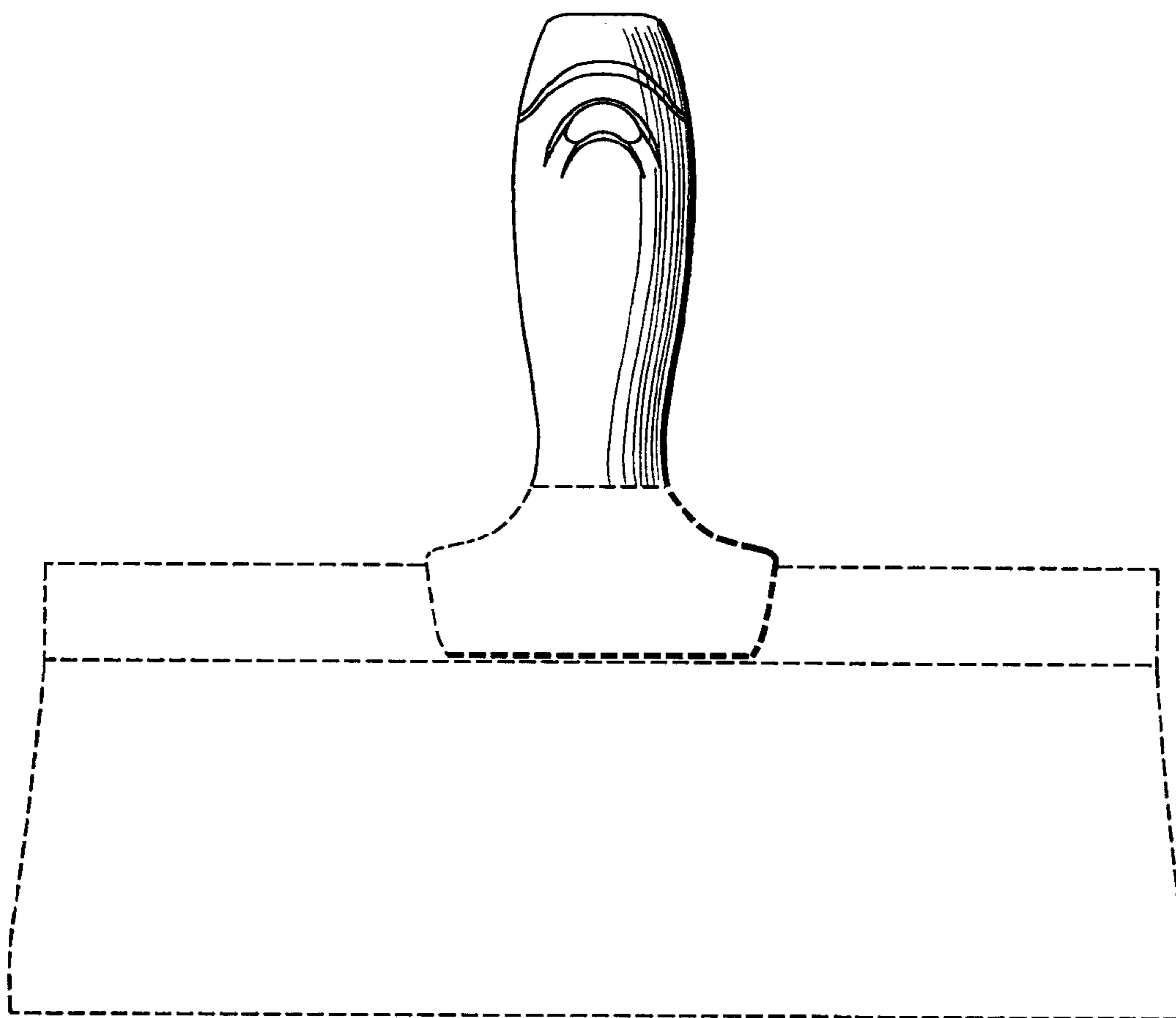
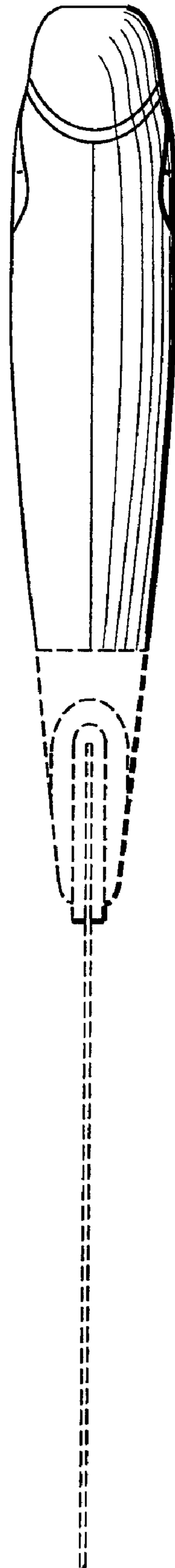


FIG. 2



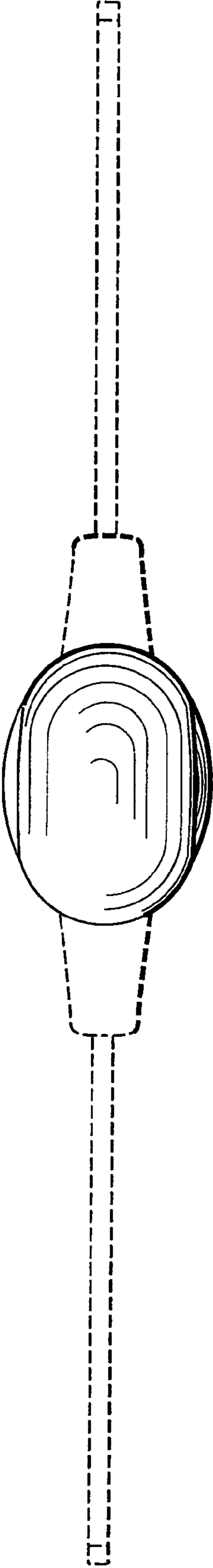


FIG. 3

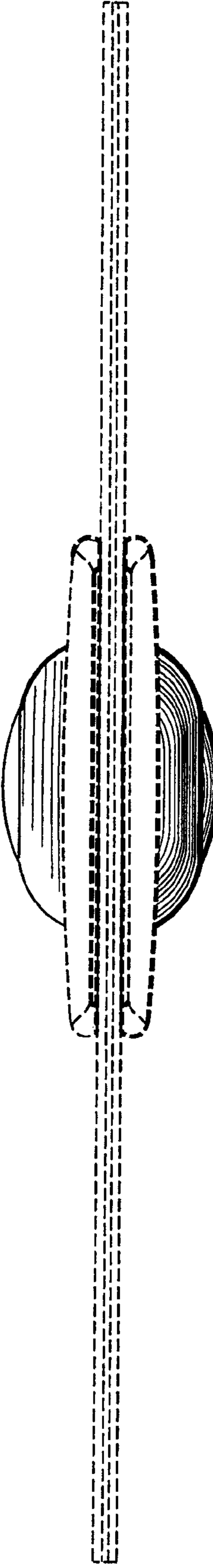


FIG. 4

FIG. 5

