



US00D551049S

(12) **United States Design Patent**  
**Huang**

(10) **Patent No.:** **US D551,049 S**

(45) **Date of Patent:** **\*\* Sep. 18, 2007**

(54) **SAW FRAME**

(76) **Inventor:** **Yin Han Huang**, No. 4, Lane 342,  
Pengyii Road, Taiping City, Taichung  
Hsien 41146 (TW)

(\*\*) **Term:** **14 Years**

(21) **Appl. No.:** **29/252,128**

(22) **Filed:** **Jan. 19, 2006**

(51) **LOC (8) Cl.** ..... **08-03**

(52) **U.S. Cl.** ..... **D8/96**

(58) **Field of Classification Search** ..... D8/95,  
D8/96, 97, 98, 99, 107, 14; 30/509, 507,  
30/508, 513, 514, 515, 517, 522, 523; 16/422  
See application file for complete search history.

(56) **References Cited**

**U.S. PATENT DOCUMENTS**

D370,610	S *	6/1996	Neyton	.....	D8/96
5,768,788	A *	6/1998	Arnold	.....	30/513
D409,892	S *	5/1999	Juhlin	.....	D8/96
6,134,791	A *	10/2000	Huang	.....	30/513
D472,445	S *	4/2003	Juhlin et al.	.....	D8/96
D475,600	S *	6/2003	Huang	.....	D8/96
D477,519	S *	7/2003	Seloron	.....	D9/96
D486,372	S *	2/2004	Chen	.....	D8/96

6,742,268	B2 *	6/2004	Chen	.....	30/519
6,772,522	B1 *	8/2004	Huang et al.	.....	30/513
D504,802	S *	5/2005	Heneen et al.	.....	D8/96

\* cited by examiner

*Primary Examiner*—Philip S. Hyder

(74) *Attorney, Agent, or Firm*—Charles E. Baxley

(57) **CLAIM**

The ornamental design for a saw frame, as shown and described.

**DESCRIPTION**

FIG. 1 is a perspective view of a saw frame showing my new design;

FIG. 2 is a front elevational view thereof;

FIG. 3 is a rear elevational view thereof;

FIG. 4 is a top plan view thereof;

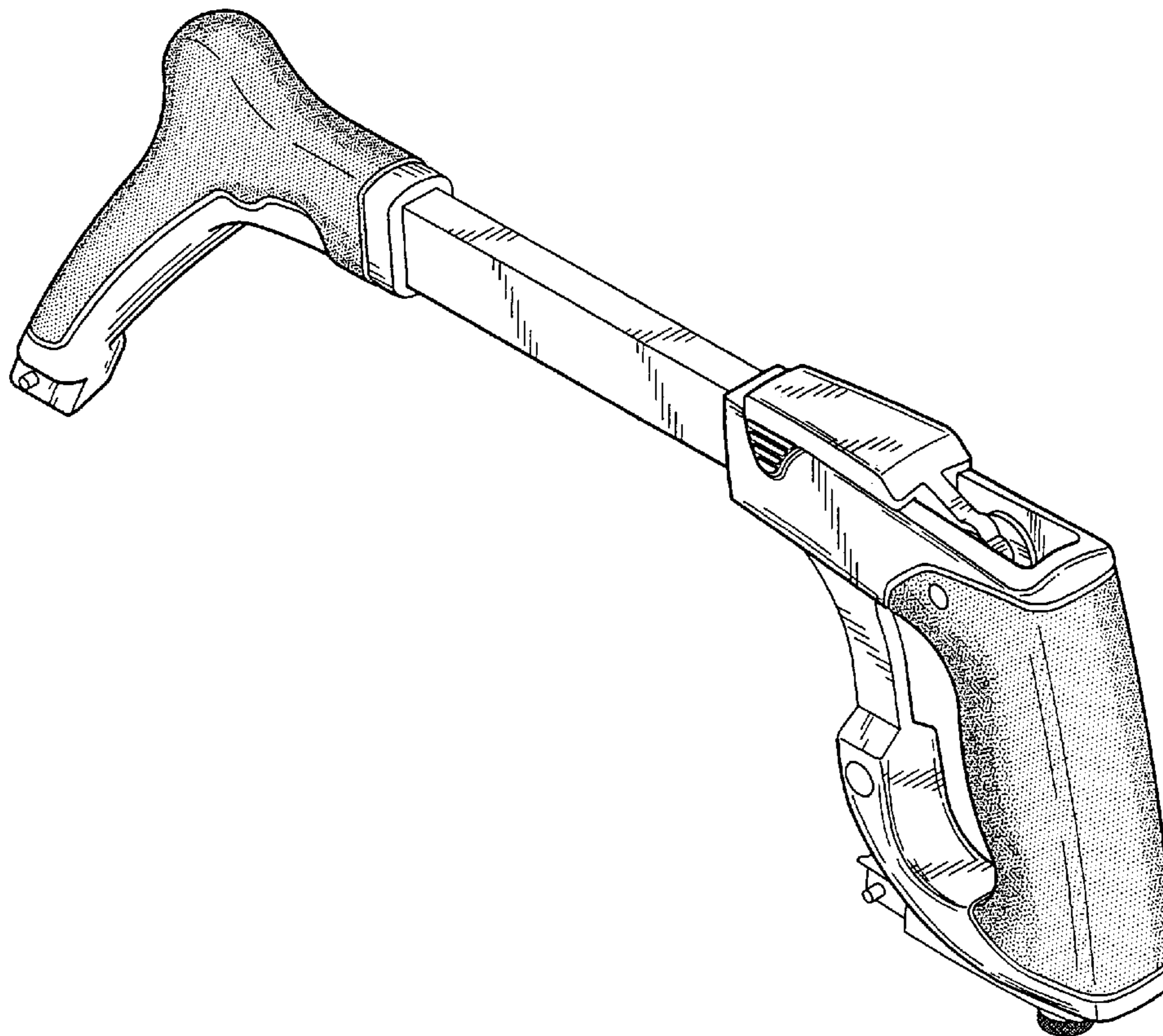
FIG. 5 is a bottom plan view thereof;

FIG. 6 is a left side elevational view thereof;

FIG. 7 is a right side elevational view thereof; and,

FIG. 8 is a front elevational view thereof, the saw blade depicted by means of broken lines being for illustrative purposes only and forming no part of the claimed design.

**1 Claim, 6 Drawing Sheets**



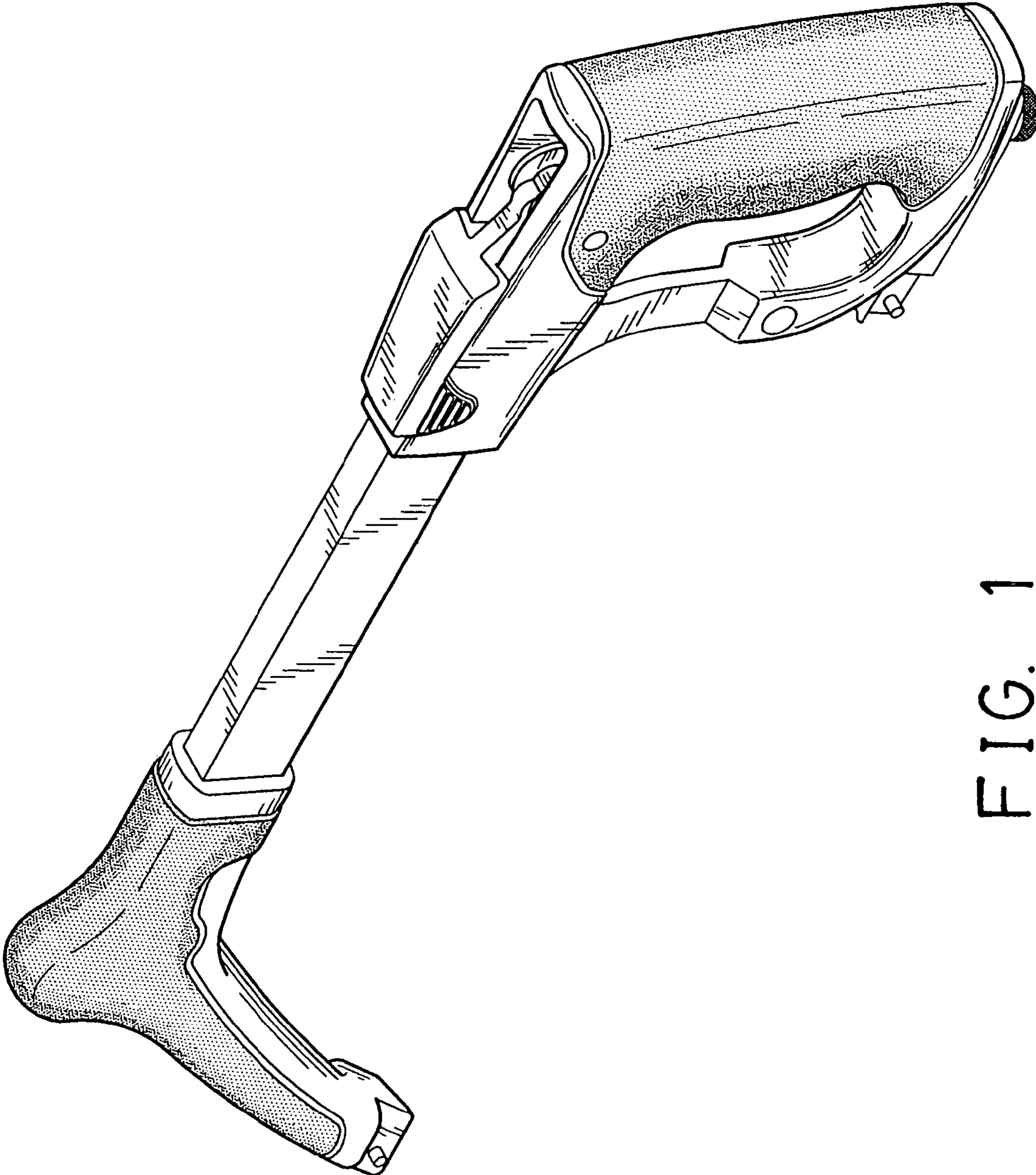


FIG. 1

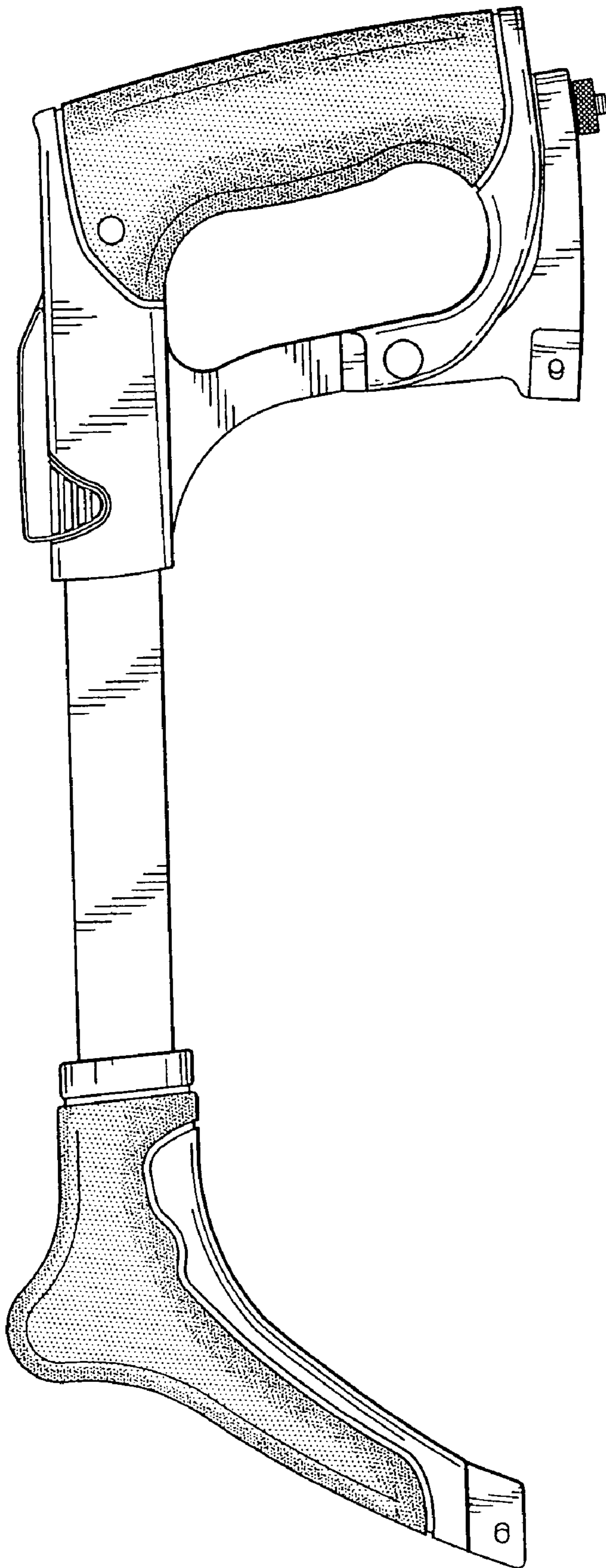


FIG. 2

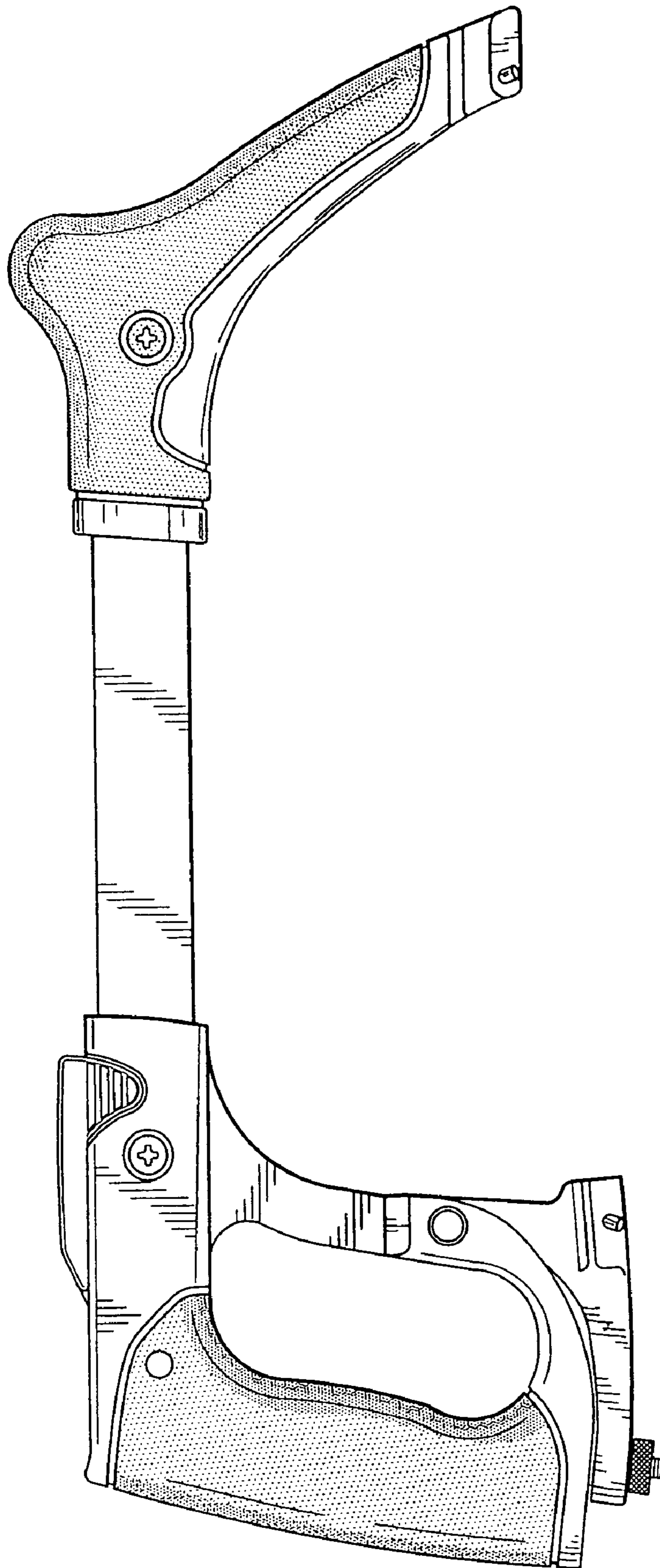


FIG. 3

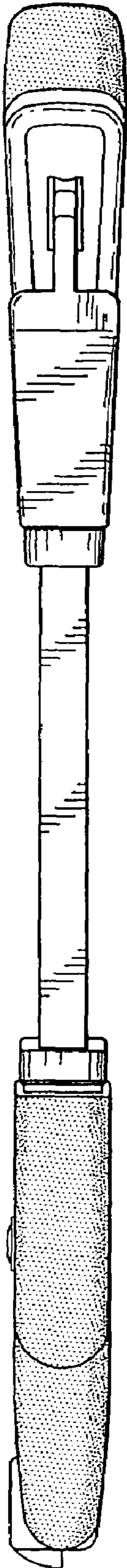


FIG. 4

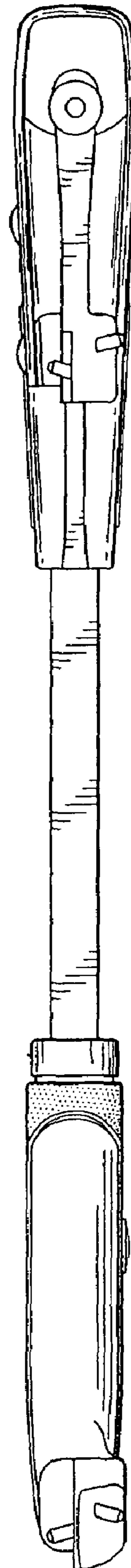


FIG. 5

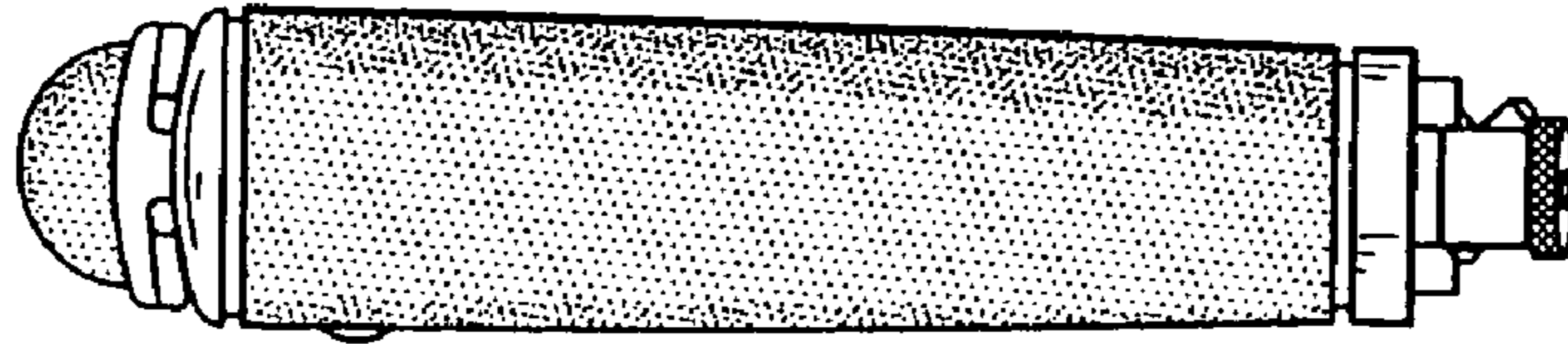


FIG. 6

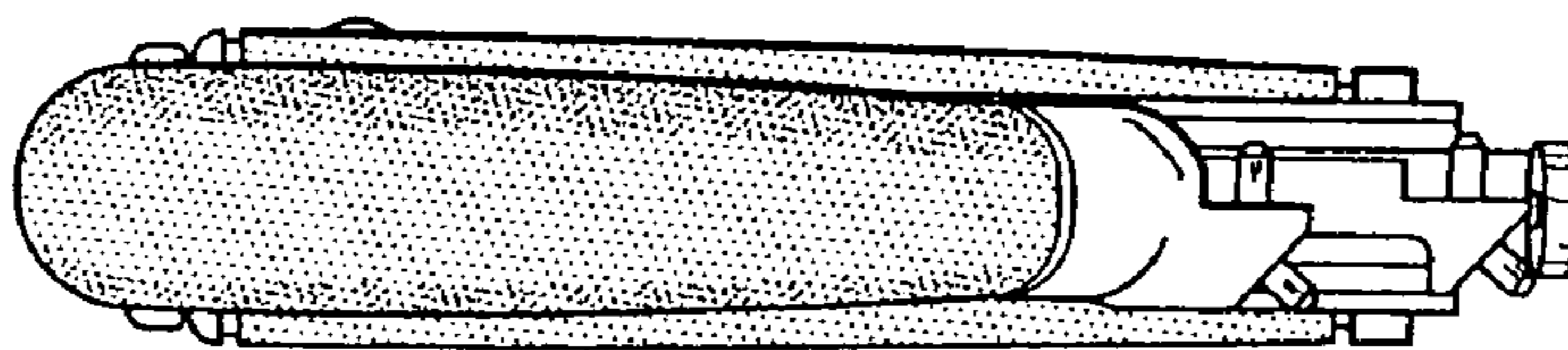


FIG. 7

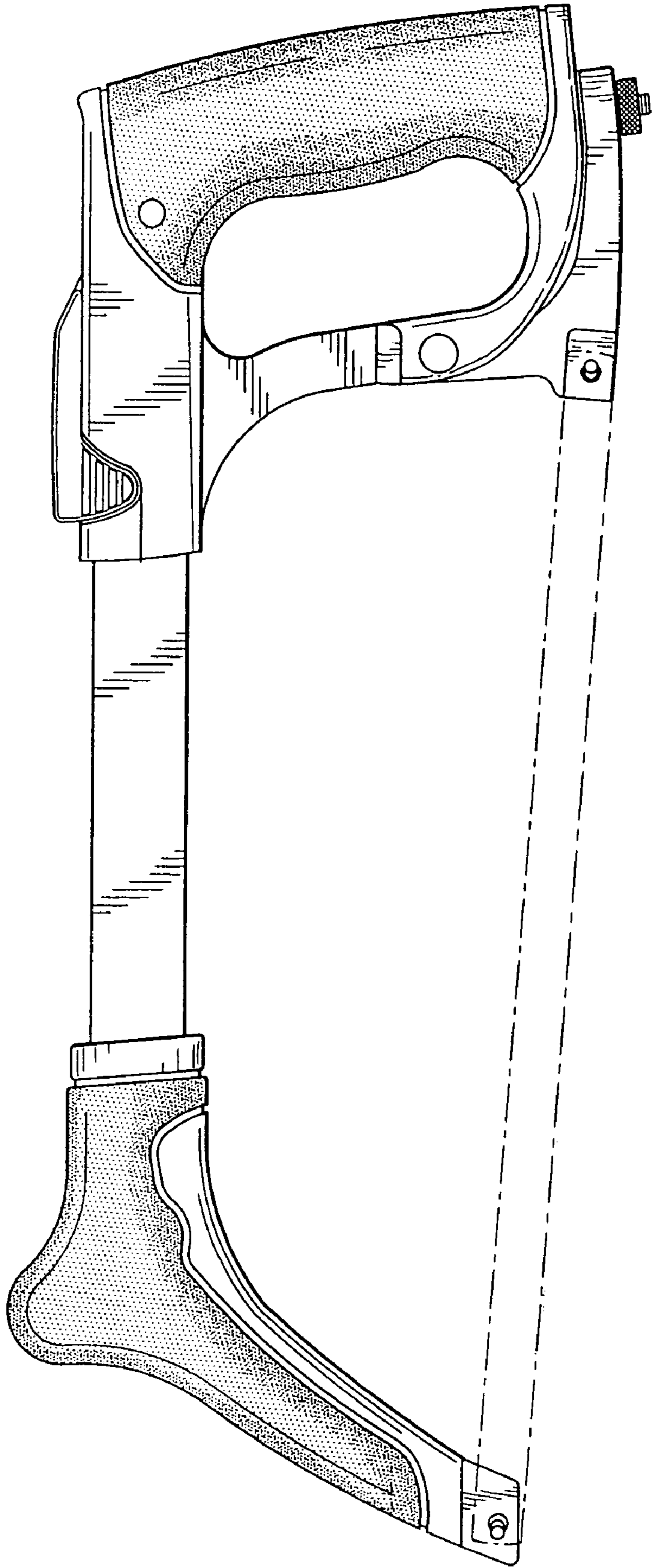


FIG. 8