



US00D551047S

(12) **United States Design Patent**  
**Lopano**

(10) **Patent No.:** **US D551,047 S**

(45) **Date of Patent:** **\*\* Sep. 18, 2007**

- (54) **IMPACT WRENCH**
- (75) Inventor: **Daniel N. Lopano**, Towson, MD (US)
- (73) Assignee: **Black & Decker Inc.**, Newark, DE (US)
- (\*\*) Term: **14 Years**
- (21) Appl. No.: **29/237,148**
- (22) Filed: **Aug. 26, 2005**
- (51) **LOC (8) Cl.** ..... **08-05**
- (52) **U.S. Cl.** ..... **D8/68**
- (58) **Field of Classification Search** ..... D8/14.1,  
D8/61, 62, 63, 64, 65, 66, 67, 68, 69, 70;  
81/57.11, 429, 464, 465, 466, 469, 489; 173/13,  
173/169, 178, 213, 217, 114, 201, 211; 227/8,  
227/114, 120, 130, 136, 142; 408/20, 214,  
408/125, 234, 241 R; 451/358; 310/50  
See application file for complete search history.

- D411,947 S 7/1999 Sugimoto et al.
- D419,413 S 1/2000 Heun
- D420,877 S 2/2000 Schultz
- D421,883 S 3/2000 Watson et al.
- D424,902 S \* 5/2000 Gildersleeve et al. .... D8/68
- D428,320 S 7/2000 Ohi et al.
- D431,766 S 10/2000 Zurwelle
- D435,414 S 12/2000 Etler et al.
- D437,761 S \* 2/2001 Okumura et al. .... D8/68
- D446,704 S \* 8/2001 Shibata et al. .... D8/68
- 6,364,580 B1 4/2002 Dils et al.
- D460,674 S 7/2002 Heun
- 6,431,289 B1 8/2002 Potter et al.

(Continued)

**FOREIGN PATENT DOCUMENTS**

- DE M9003635 4/1991
- DE M9301028 7/1993
- DE M9300144 8/1993
- DE M9402042 8/1994
- DE 49808551 9/1999
- DE 40005042 8/2000
- DE 40009556 6/2001
- GB 2041266 S \* 8/1993

(56) **References Cited**

**U.S. PATENT DOCUMENTS**

- D156,319 S \* 12/1949 Bushnell ..... D8/68
- D159,044 S 10/1950 Bushnell
- D295,714 S \* 5/1988 Sasaki et al. .... D8/68
- D320,917 S \* 10/1991 Fushiya et al. .... D8/68
- D335,073 S 4/1993 Anthony et al.
- D339,046 S \* 9/1993 Fushiya et al. .... D8/68
- D339,048 S 9/1993 Fushiya et al.
- D340,394 S 10/1993 Okumura et al.
- D340,396 S \* 10/1993 Ichikawa ..... D8/68
- D342,430 S 12/1993 Saito et al.
- D359,215 S 6/1995 Zurwelle
- D362,167 S 9/1995 Zurwelle
- D368,214 S 3/1996 Zurwelle
- D376,969 S 12/1996 Kazamaki et al.
- D378,268 S 3/1997 Schultz
- D386,662 S 11/1997 Tozawa et al.
- D392,863 S \* 3/1998 Sugimoto et al. .... D8/68
- D396,177 S 7/1998 Schultz
- D403,219 S 12/1998 Bosten et al.
- D404,276 S 1/1999 Ghode et al.

*Primary Examiner*—Gary D. Watson  
*Assistant Examiner*—T. Chase Nelson  
 (74) *Attorney, Agent, or Firm*—Michael P. Leary; Charles E. Yocum; Adan Ayala

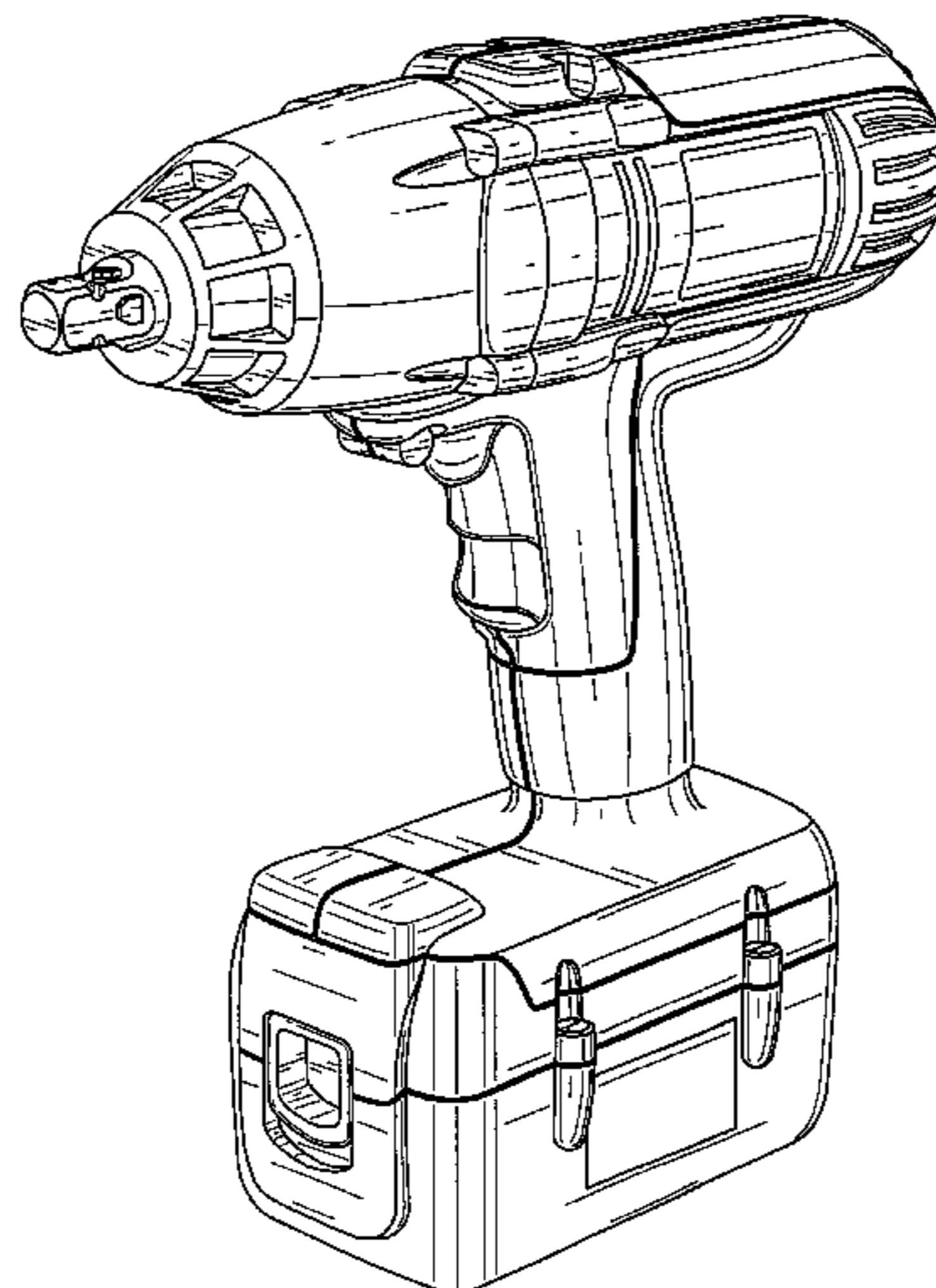
(57) **CLAIM**

The ornamental design for an impact wrench, as shown and described.

**DESCRIPTION**

FIG. 1 is a left/front perspective view of an impact wrench.  
 FIG. 2 is a front elevational view thereof.  
 FIG. 3 is a rear elevational view thereof.  
 FIG. 4 is a right side elevational view thereof.  
 FIG. 5 is a left side elevational view thereof.  
 FIG. 6 is a top view thereof; and,  
 FIG. 7 is a bottom view thereof.

**1 Claim, 7 Drawing Sheets**



# US D551,047 S

Page 2

## U.S. PATENT DOCUMENTS

D462,248 S	9/2002	Cooper	
D462,594 S *	9/2002	Flickinger .....	D8/68
D466,777 S	12/2002	Watson	
D467,147 S	12/2002	Watson	
D467,148 S	12/2002	Flickinger	
D467,780 S	12/2002	Koizumi	
6,502,648 B2	1/2003	Milbourne	
D469,675 S	2/2003	Chung	
D477,205 S *	7/2003	Sakai et al. ....	D8/68
D484,385 S *	12/2003	Sakai et al. ....	D8/68
D489,955 S *	5/2004	Concari et al. ....	D8/68
6,729,415 B1 *	5/2004	Huang .....	173/217
D493,344 S *	7/2004	Watson .....	D8/68
D494,435 S *	8/2004	Hayakawa et al. ....	D8/68
D499,624 S *	12/2004	Concari et al. ....	D8/68
D499,945 S *	12/2004	Sugawara et al. ....	D8/68
6,860,342 B1 *	3/2005	Wu et al. ....	173/217
6,883,621 B1 *	4/2005	Lin .....	173/217
D508,642 S *	8/2005	Kokawa et al. ....	D8/68
D508,643 S *	8/2005	Concari et al. ....	D8/68
6,984,188 B2 *	1/2006	Potter et al.	
7,066,691 B2 *	6/2006	Doyle et al. ....	408/124
D525,100 S *	7/2006	Huang et al. ....	D8/68
2002/0122707 A1 *	9/2002	Sakai et al. ....	408/241 R
2003/0159843 A1 *	8/2003	Sakai et al. ....	173/217
2005/0022638 A1 *	2/2005	Milbourne et al. ....	81/466
2005/0121209 A1 *	6/2005	Shimizu et al. ....	173/217
2006/0096771 A1 *	5/2006	Brotto .....	173/178
2006/0113100 A1 *	6/2006	Hsu et al. ....	173/217

\* cited by examiner

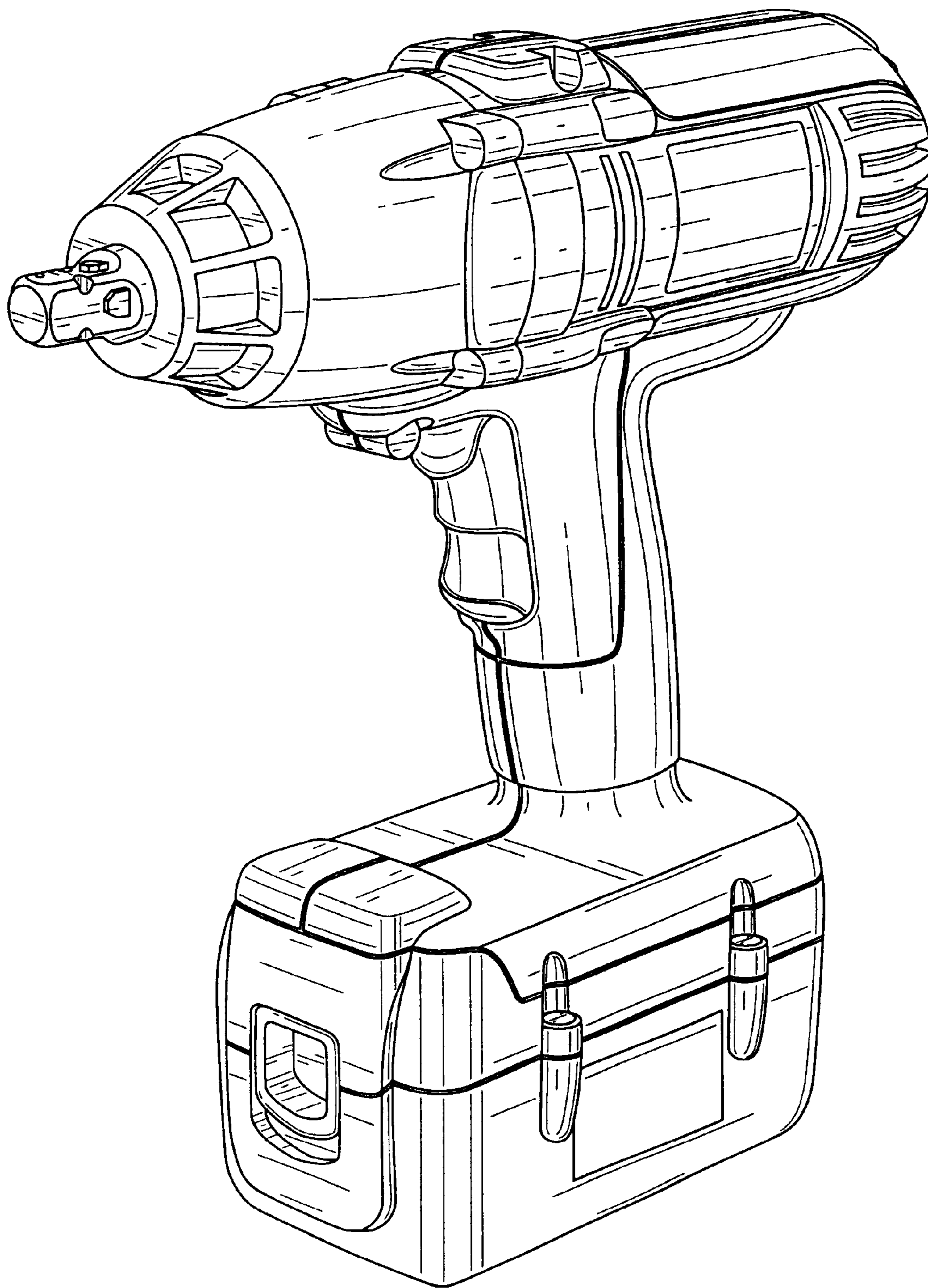


FIG. 1

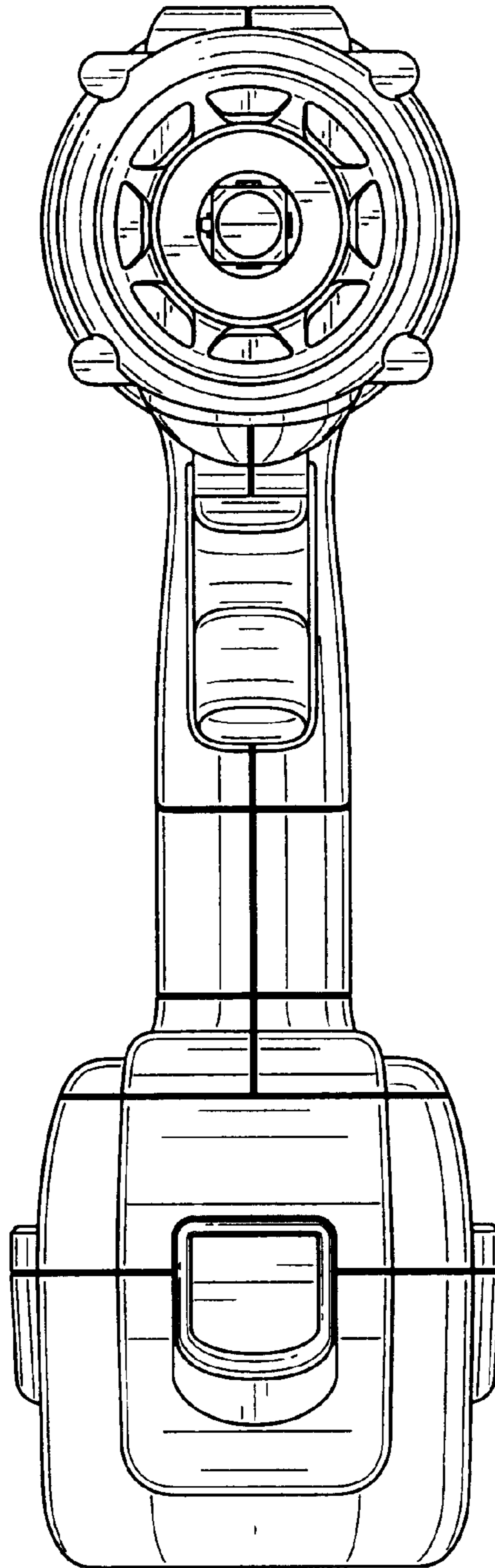


FIG. 2



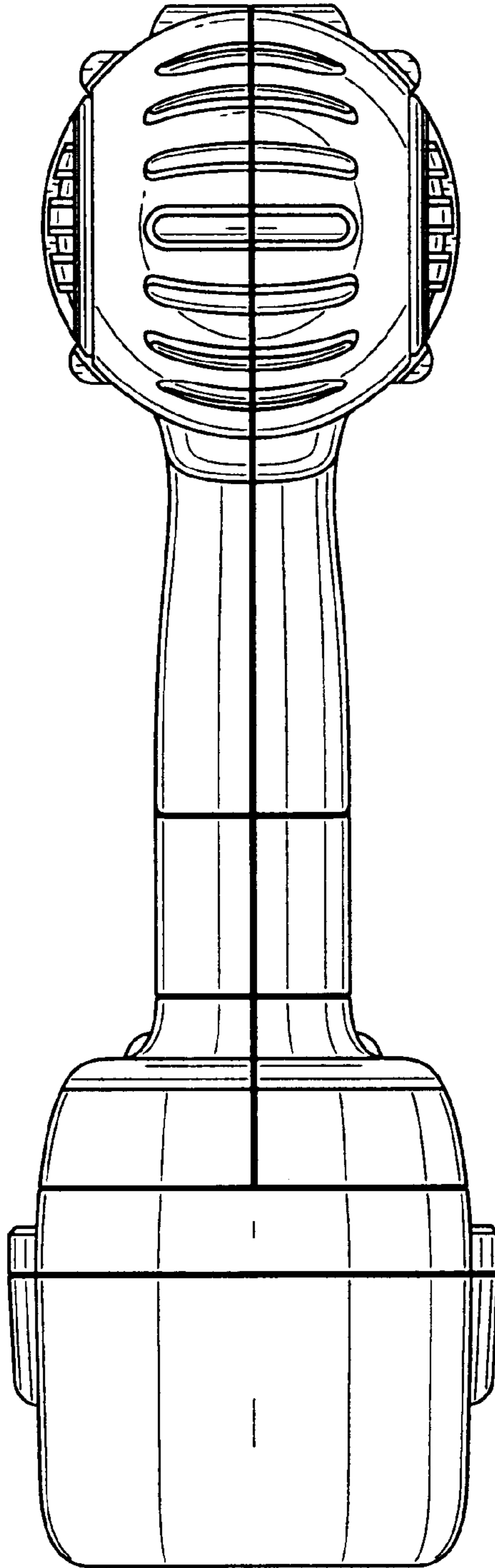


FIG. 3

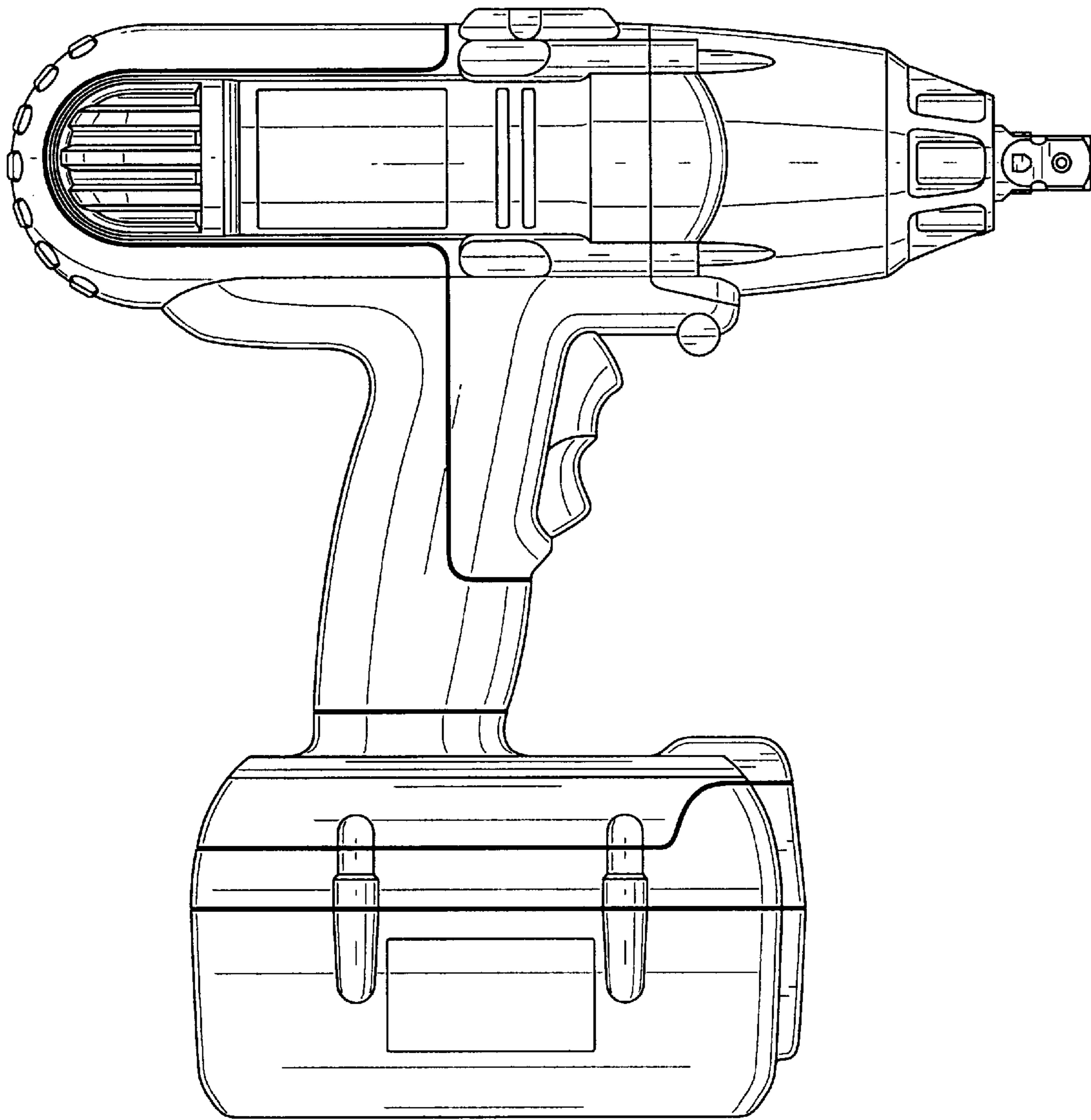


FIG. 4

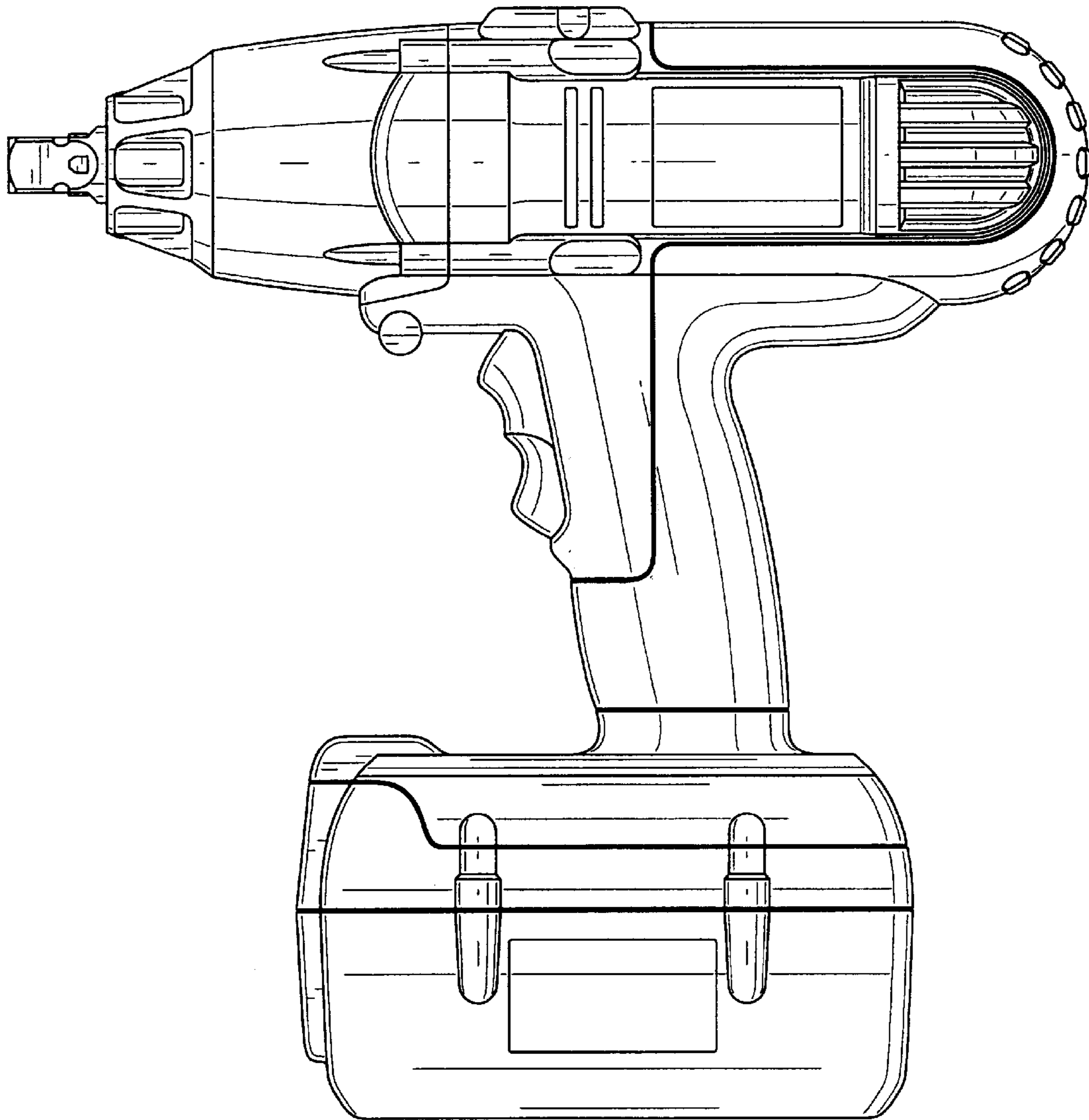


FIG. 5

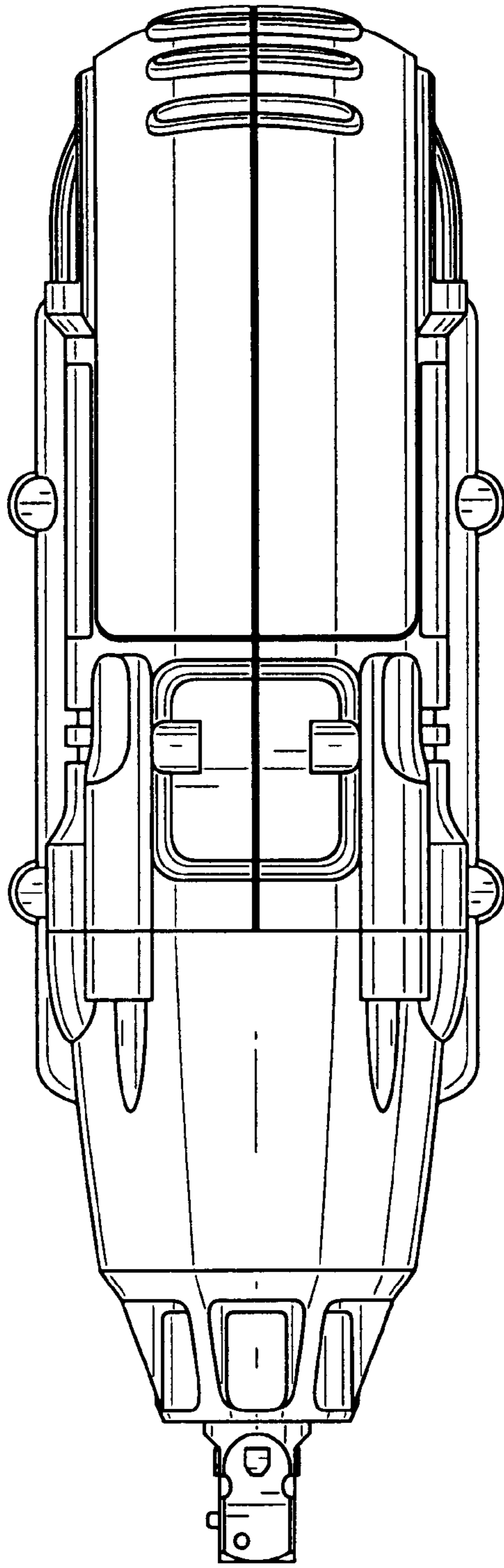


FIG. 6



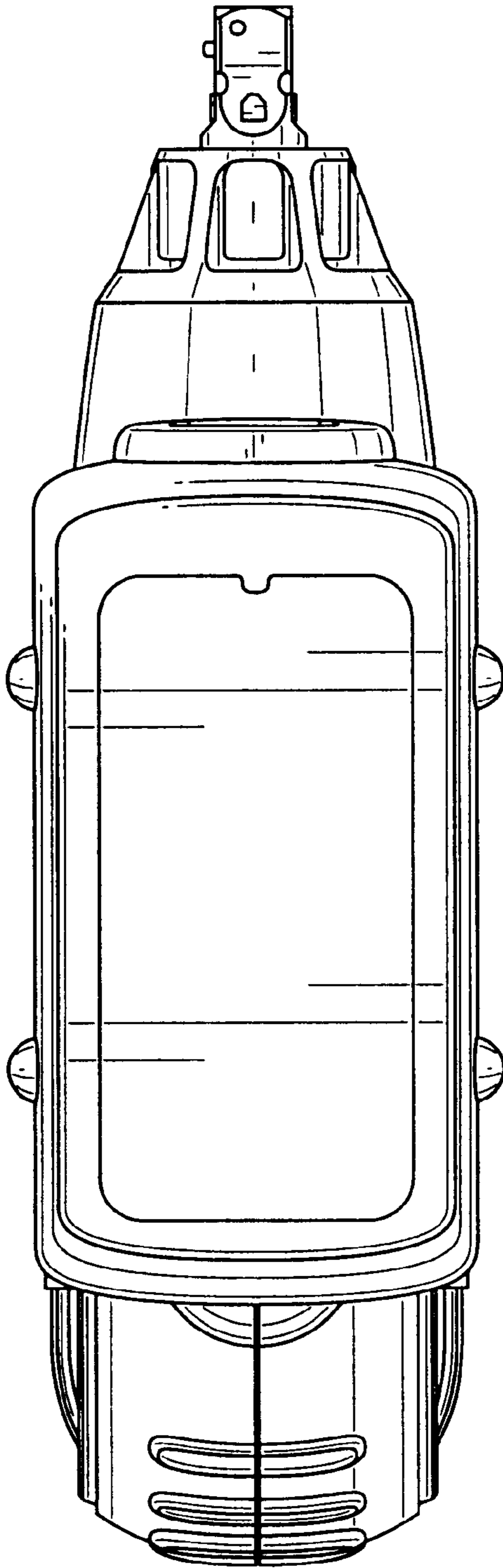


FIG. 7