



US00D551044S

(12) **United States Design Patent**
Mochida et al.

(10) **Patent No.:** **US D551,044 S**

(45) **Date of Patent:** **** Sep. 18, 2007**

(54) **ELECTRIC DRILL DRIVER**

(75) Inventors: **Taro Mochida**, Chuo-ku (JP); **Satoshi Fujii**, Yao (JP)

(73) Assignee: **Matsushita Electric Works, Ltd.**,
Osaka (JP)

(**) Term: **14 Years**

(21) Appl. No.: **29/260,002**

(22) Filed: **May 18, 2006**

(30) **Foreign Application Priority Data**

Nov. 18, 2005 (JP) 2005-033986

(51) **LOC (8) Cl.** **08-04**

(52) **U.S. Cl.** **D8/61**

(58) **Field of Classification Search** D8/61,
D8/62, 68, 83, 70, 107, 80; 81/57.11, 57.13,
81/57.14, 57.26, 57.29, 57.39, 57.42, 63.1,
81/429, 464, 467, 469, 470, 473; 173/168,
173/169, 170, 176, 177, 178, 181, 216, 217;
73/862.21; 310/50

See application file for complete search history.

(56) **References Cited**

U.S. PATENT DOCUMENTS

- 4,522,270 A * 6/1985 Kishi 173/217
- D303,205 S * 9/1989 Gierke et al. D8/61
- D304,543 S * 11/1989 Somers et al. D8/61
- D308,622 S * 6/1990 Fushiya et al. D8/61
- 5,251,706 A * 10/1993 Evans 173/29
- D380,658 S * 7/1997 Bruno et al. D8/61
- D391,820 S * 3/1998 Bunyea D8/61
- D418,729 S * 1/2000 Snider D8/61
- D423,897 S * 5/2000 Cooper D8/61
- D433,904 S * 11/2000 Heinrichs et al. D8/61
- 6,364,033 B1 * 4/2002 Hung et al. 173/217
- D466,776 S * 12/2002 Hsiao D8/62
- D467,146 S * 12/2002 Chunn et al. D8/61

- D470,374 S * 2/2003 Murray D8/61
- D472,439 S * 4/2003 Chunn et al. D8/61
- D472,779 S * 4/2003 Chunn et al. D8/61
- D474,086 S * 5/2003 Heun D8/61

(Continued)

FOREIGN PATENT DOCUMENTS

- JP 624568 5/1984
- JP 624568-1 1/1989
- JP 624568-2 1/1989

Primary Examiner—Cathron C. Brooks

Assistant Examiner—Austin Murphy

(74) *Attorney, Agent, or Firm*—Osha Liang LLP

(57) **CLAIM**

The ornamental design for an electric drill driver, as shown and described.

DESCRIPTION

FIG. 1 is a perspective view of the design according to the invention.

FIG. 2 is a front view of the design according to the invention.

FIG. 3 is a rear view of the design according to the invention.

FIG. 4 is a top side view of the design according to the invention.

FIG. 5 is a bottom side view of the design according to the invention.

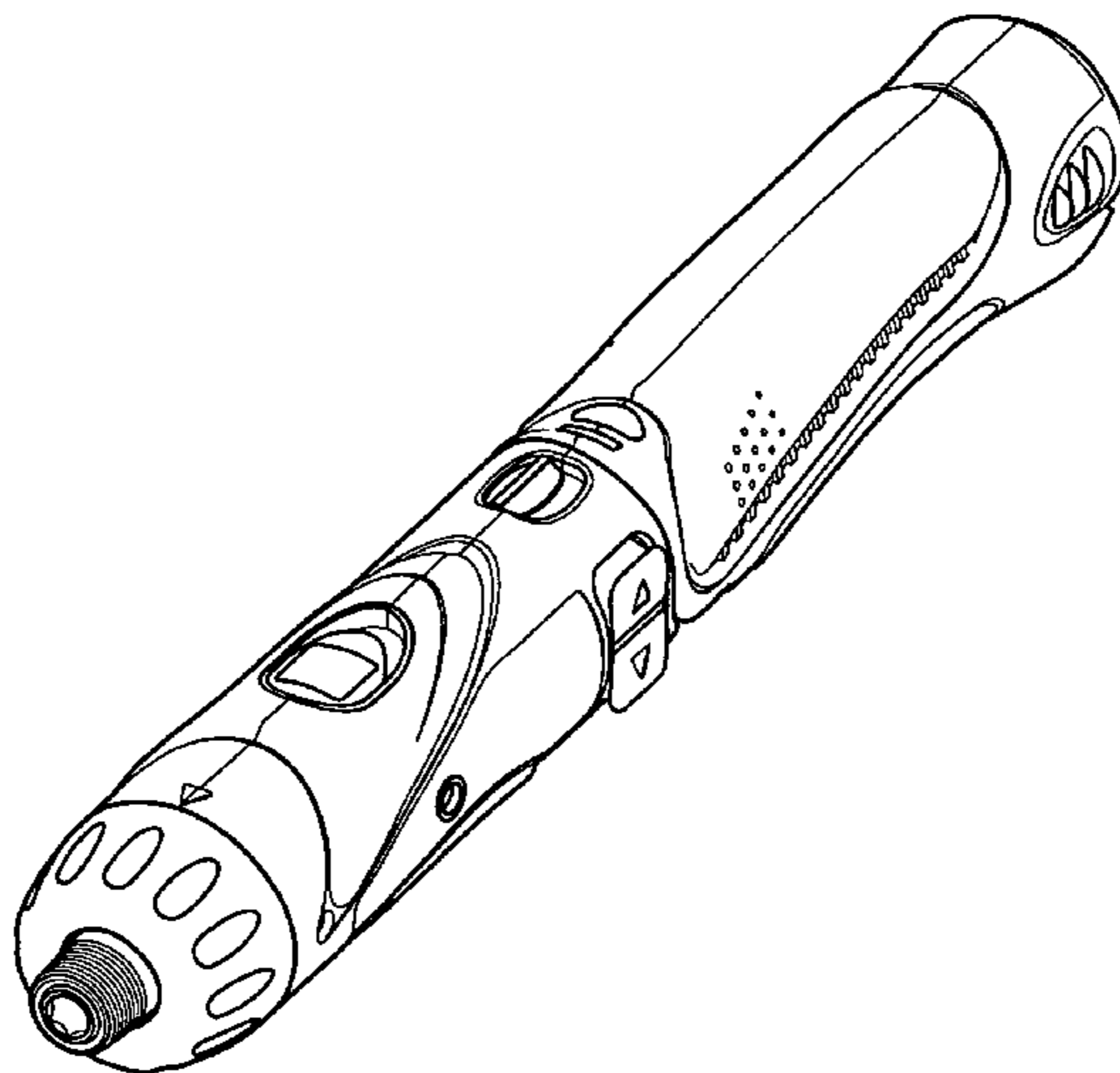
FIG. 6 is a right view of the design according to the invention.

FIG. 7 is a left view of the design according to the invention.

FIG. 8 is a perspective view of the design according to the invention in an alternate position; and,

FIG. 9 is a right side view of the design according to the invention in an alternate position.

1 Claim, 5 Drawing Sheets



US D551,044 S

Page 2

U.S. PATENT DOCUMENTS

D476,542 S *	7/2003	Chunn et al.	D8/61	D502,071 S *	2/2005	Snider	D8/61
D484,382 S *	12/2003	Su	D8/68	D526,550 S *	8/2006	Aglassinger	D8/68
D487,383 S *	3/2004	Ng	D8/61	D526,872 S *	8/2006	Snider	D8/68
D491,031 S *	6/2004	Davis et al.	D8/61	2003/0015066 A1 *	1/2003	Chao	81/57.26
6,817,424 B1 *	11/2004	Su et al.	173/217				

* cited by examiner

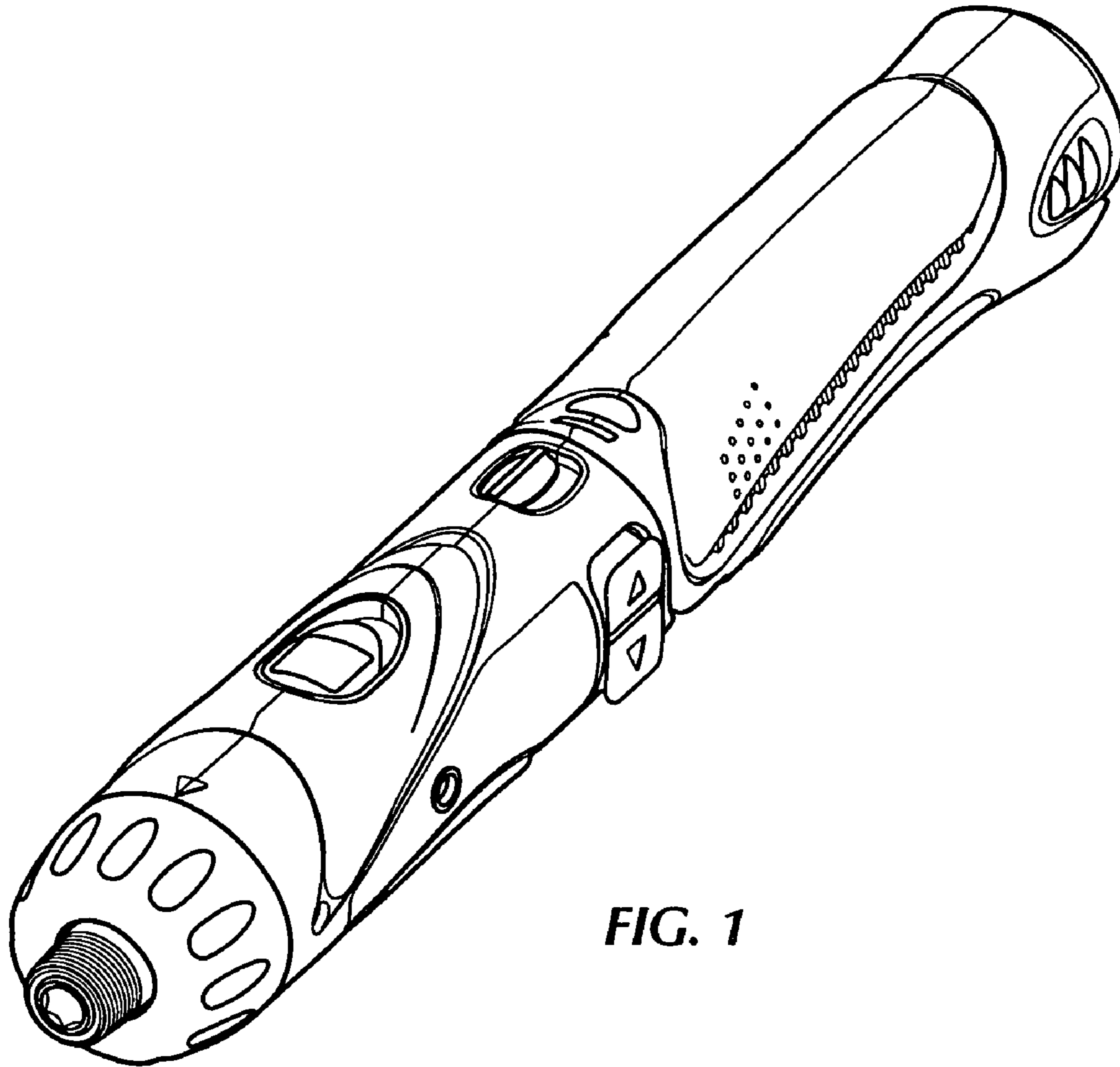


FIG. 1

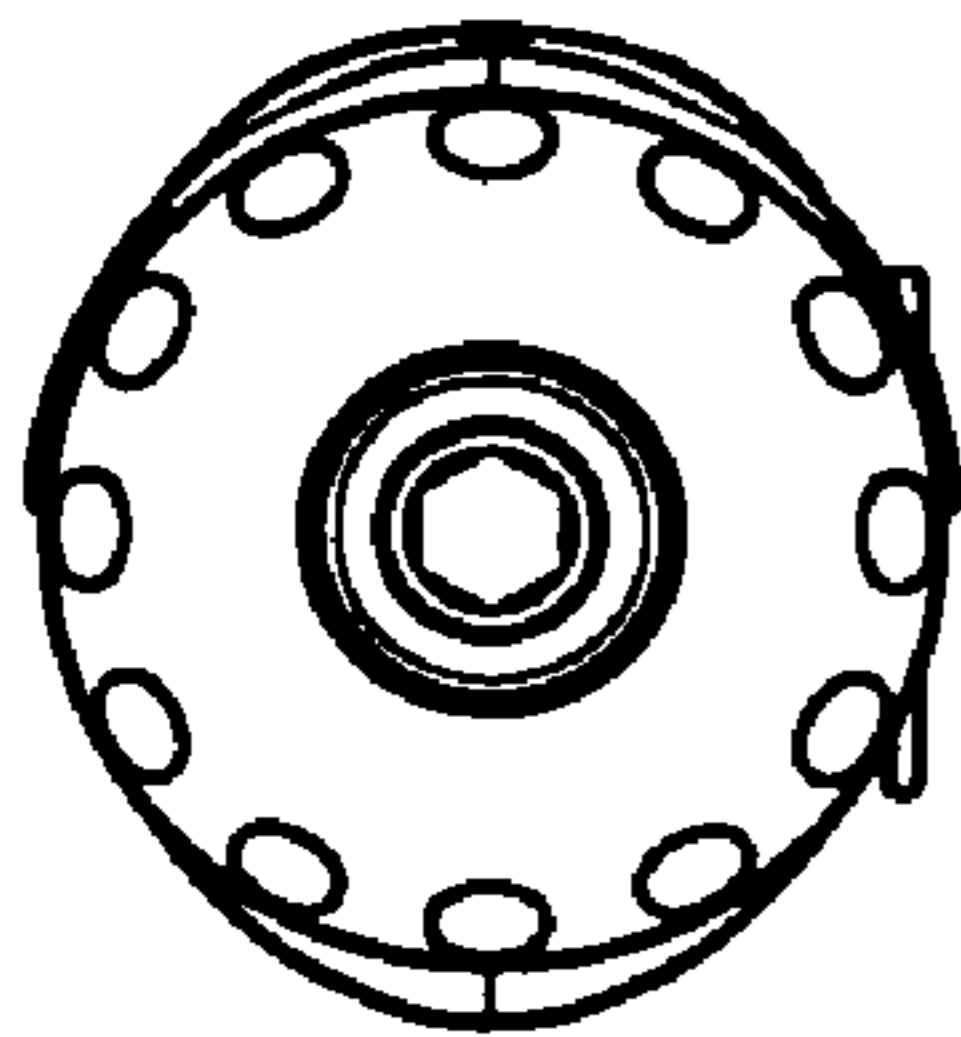


FIG. 2

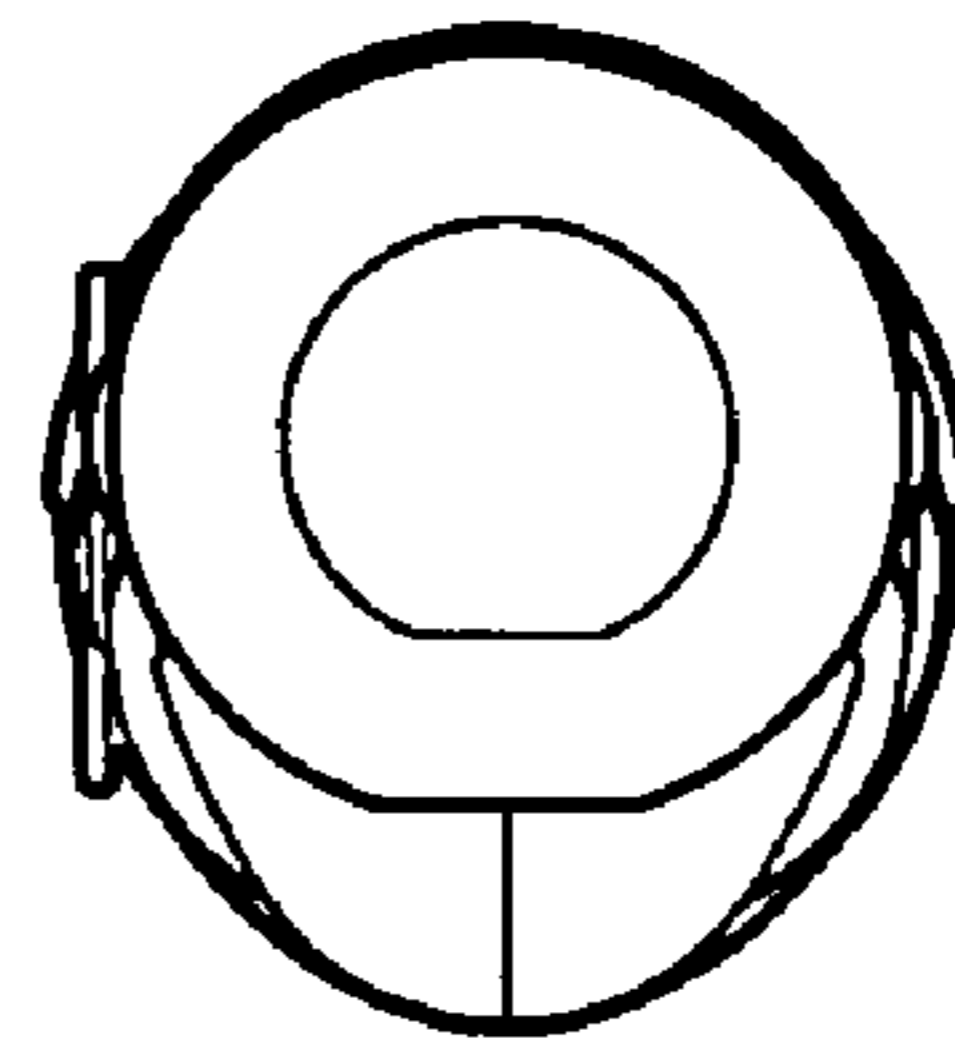


FIG. 3

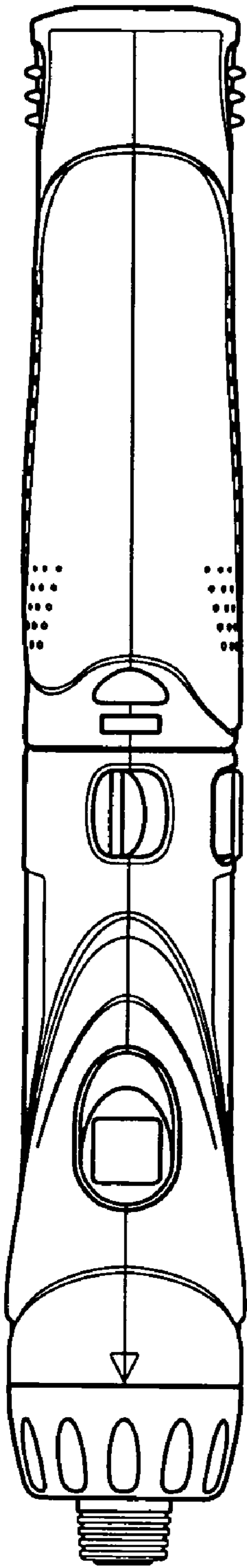


FIG. 4

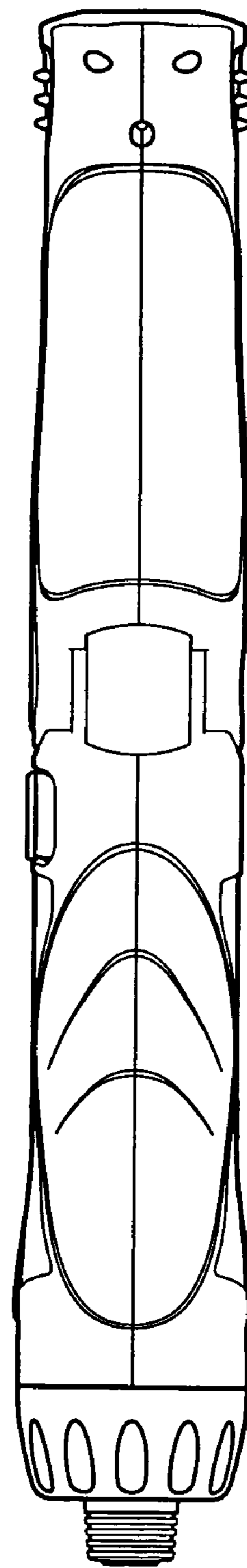


FIG. 5

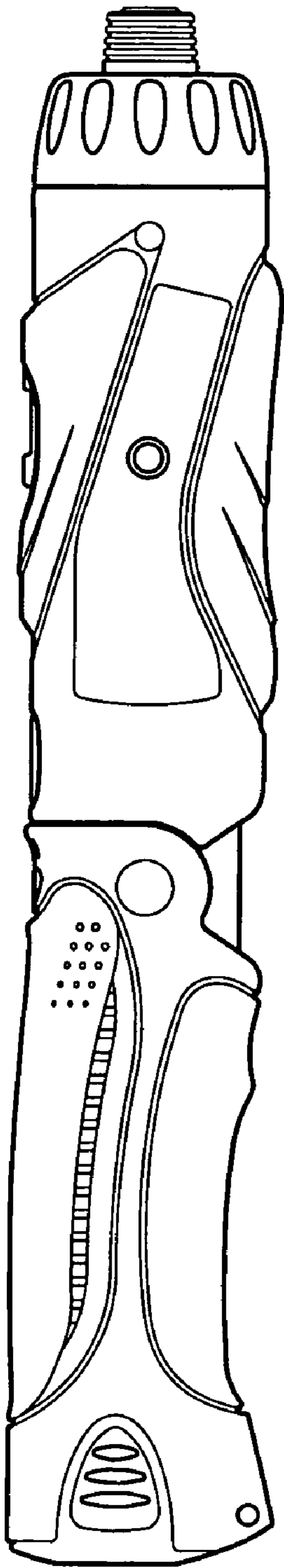


FIG. 6

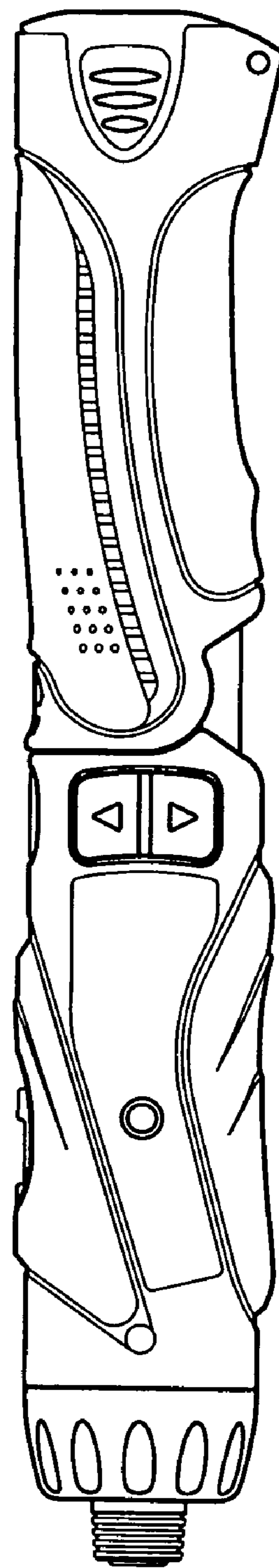


FIG. 7

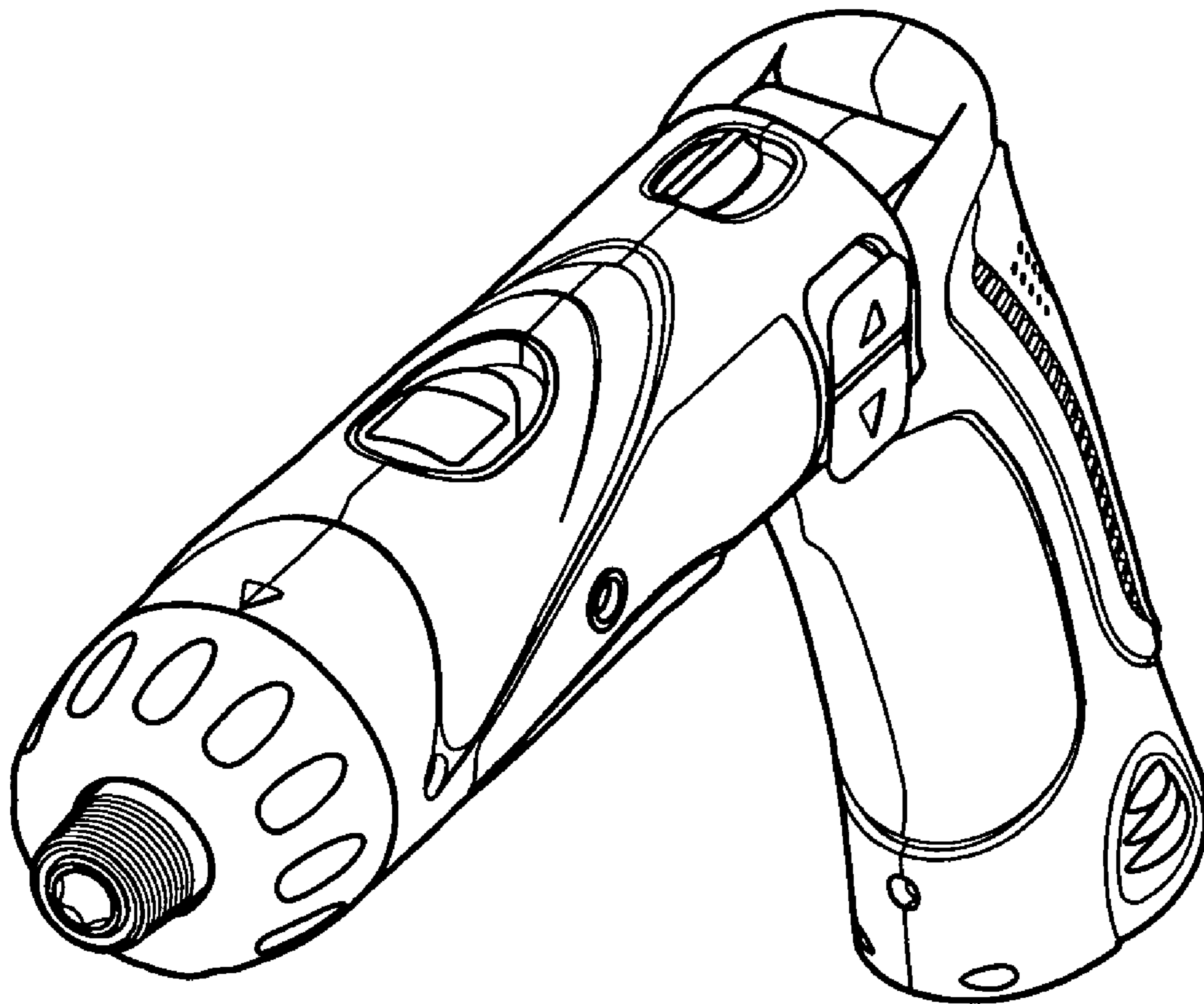


FIG. 8

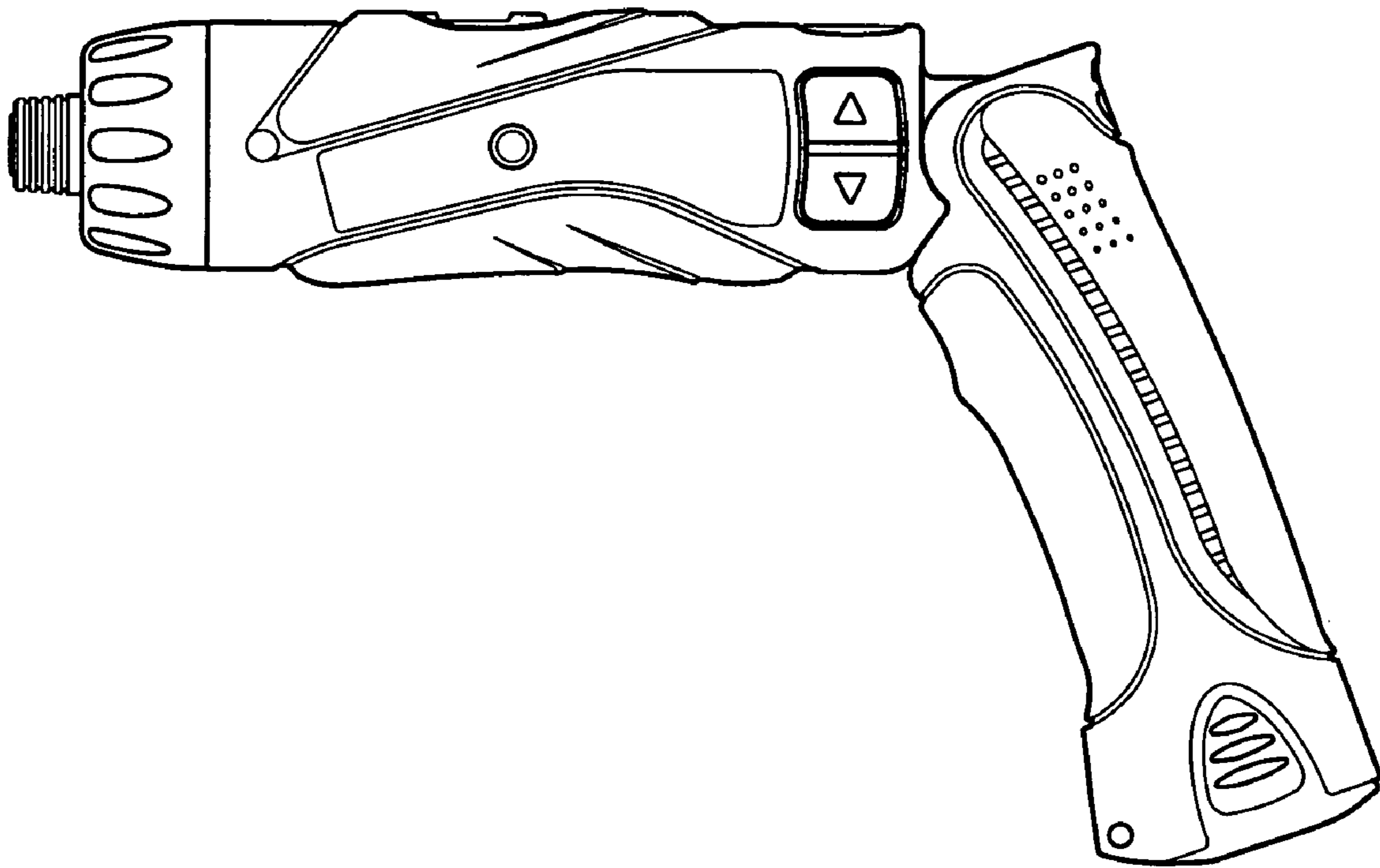


FIG. 9