



US00D551036S

(12) **United States Design Patent** (10) **Patent No.:** **US D551,036 S**  
**Tomaszewski** (45) **Date of Patent:** **\*\* Sep. 18, 2007**

(54) **MULTIPLE BEER CUP HOLDER**

(76) Inventor: **Lukasz Tomaszewski**, 5342 W. Eddy St., Chicago, IL (US) 60641

(\*\*) Term: **14 Years**

(21) Appl. No.: **29/249,838**

(22) Filed: **Oct. 24, 2006**

(51) **LOC (8) Cl.** ..... **07-06**

(52) **U.S. Cl.** ..... **D7/701**

(58) **Field of Classification Search** ..... D7/701-708;  
211/74, 71.01, 13.1, 85.4, 70.6, 70.7, 79,  
211/126.1, 126.14; 248/311.2, 127, 309.1,  
248/310, 314; D3/307-314

See application file for complete search history.

(56) **References Cited**

U.S. PATENT DOCUMENTS

D127,563	S	*	6/1941	Cloutier	.....	D7/701
D201,695	S	*	7/1965	Bieger	.....	D7/705
4,250,992	A		2/1981	Gilbert		
4,718,555	A		1/1988	Amberg		
4,754,879	A		7/1988	Benno		
4,972,944	A		11/1990	McNeill		
D325,975	S	*	5/1992	Grade et al.	.....	D7/701
5,123,588	A		6/1992	Harris		
5,400,901	A		3/1995	Harrelson		
5,538,130	A		7/1996	Harrelson		
5,678,741	A		10/1997	Schieber		
5,765,689	A		6/1998	Cobden		
5,938,011	A		8/1999	Holzapfel		
5,996,802	A		12/1999	Parker		
5,996,818	A	*	12/1999	Boje et al.	.....	211/74
6,079,554	A		6/2000	Hammett		
6,283,566	B1		9/2001	Doces		
6,290,063	B1		9/2001	Vogt		
6,398,056	B1		6/2002	Letourneau		
6,520,366	B1		2/2003	Bradley		
D505,014	S		5/2005	Apps		
6,964,443	B1		11/2005	Newton		

7,036,666	B2		5/2006	Hammett
2002/0027141	A1		3/2002	Dokun
2002/0027366	A1		3/2002	Bieri
2002/0195831	A1		12/2002	Hogan
2003/0024844	A1		2/2003	Hammett
2003/0057110	A1		3/2003	Montgomery
2003/0098254	A1		5/2003	Archer
2003/0132590	A1		7/2003	Werner
2003/0213705	A1		11/2003	Woog

(Continued)

*Primary Examiner*—Terry A. Wallace

(57) **CLAIM**

The ornamental design for a multiple beer cup holder, as shown and described.

**DESCRIPTION**

FIG. 1 is a perspective view of the multiple beer cup holder with cups inserted.

FIG. 2 is a perspective view of the multiple beer cup holder without cups.

FIG. 3 is an top plan view of the multiple beer cup holder with cups inserted.

FIG. 4 is a top plan view of the multiple beer cup holder without cups.

FIG. 5 is a side view of the multiple beer cup holder with cups inserted.

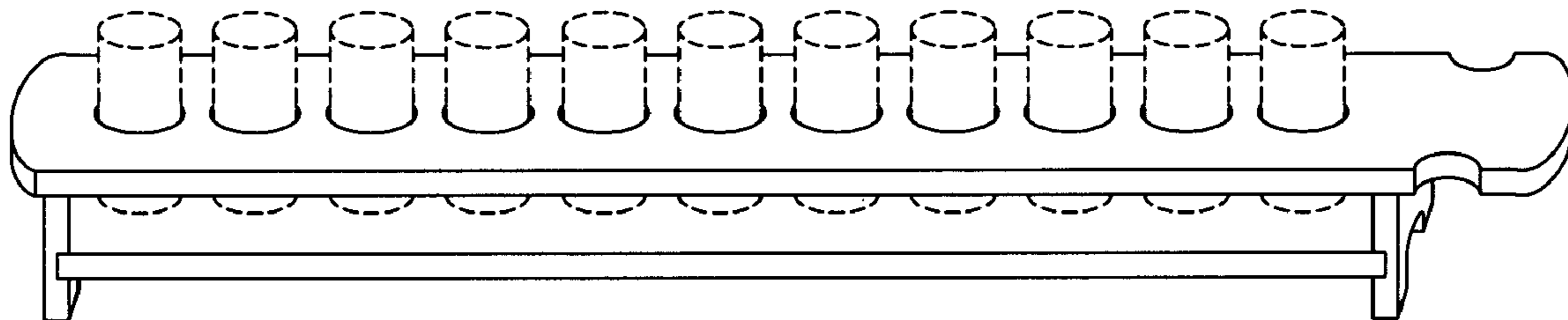
FIG. 6 is a side view of the multiple beer cup holder without cups.

FIG. 7 is rear view of the multiple beer cup holder with cups inserted; and,

FIG. 8 is rear view of the multiple beer cup holder without cups.

The broken lines are for illustrative purposes only and from no part of the claimed design.

**1 Claim, 8 Drawing Sheets**



# US D551,036 S

Page 2

---

## U.S. PATENT DOCUMENTS

2004/0124107	A1	7/2004	Cuomo	2005/0092623	A1	5/2005	Cuomo
2004/0149621	A1	8/2004	Sgrignoll	2006/0054649	A1	3/2006	Tippmann
2005/0029747	A1	2/2005	Grayson	2006/0060740	A1	3/2006	Sollazzo
2005/0087466	A1	4/2005	Davis	2006/0123829	A1	6/2006	Nielsen

\* cited by examiner

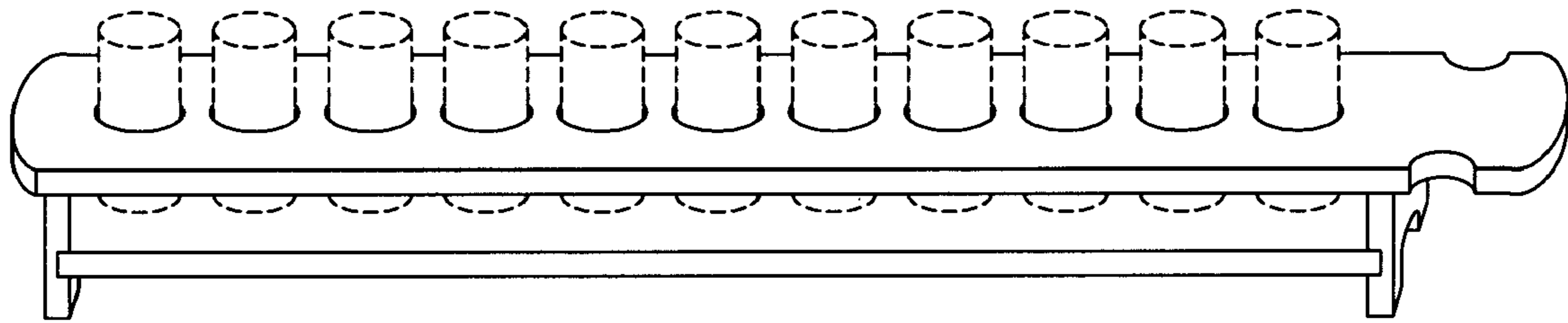


FIG. 1

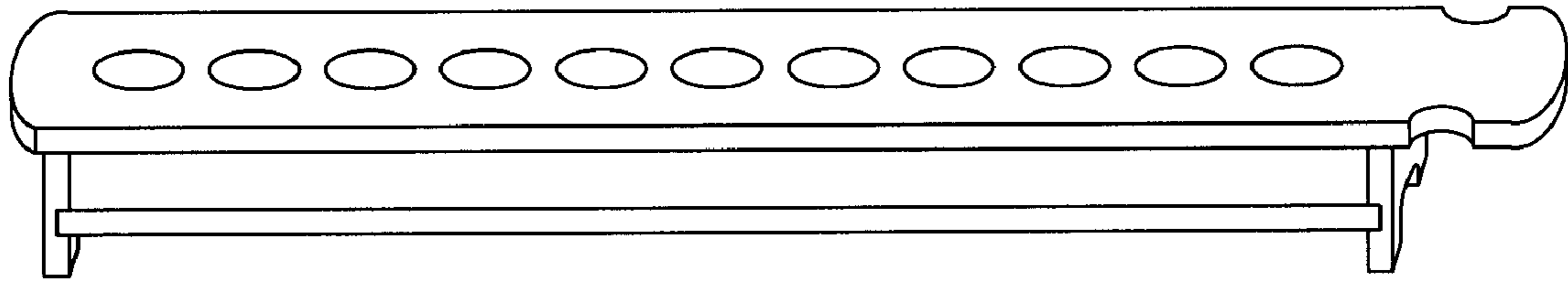


FIG. 2

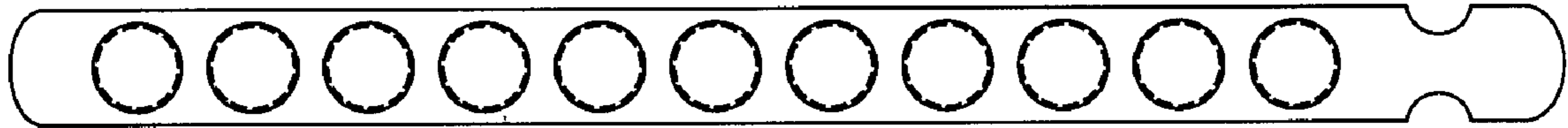


FIG. 3

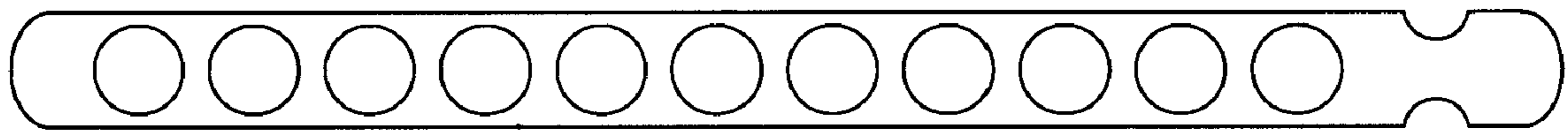


FIG. 4

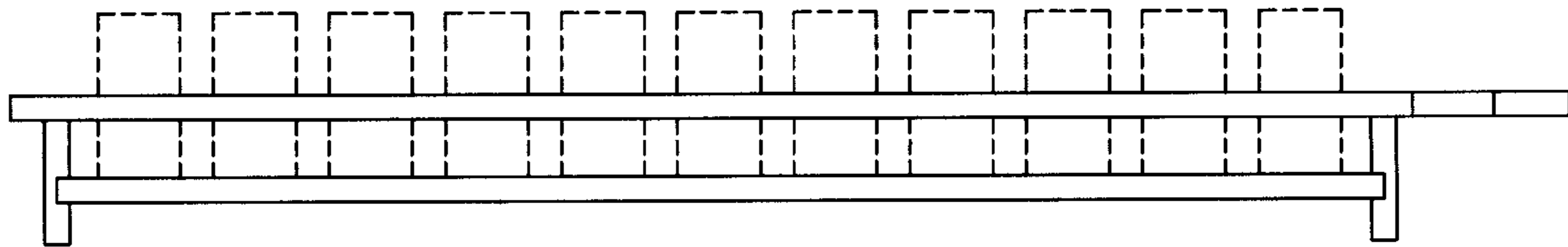


FIG. 5

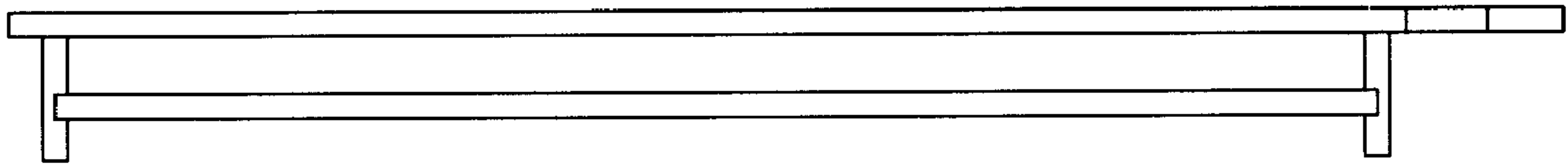


FIG. 6



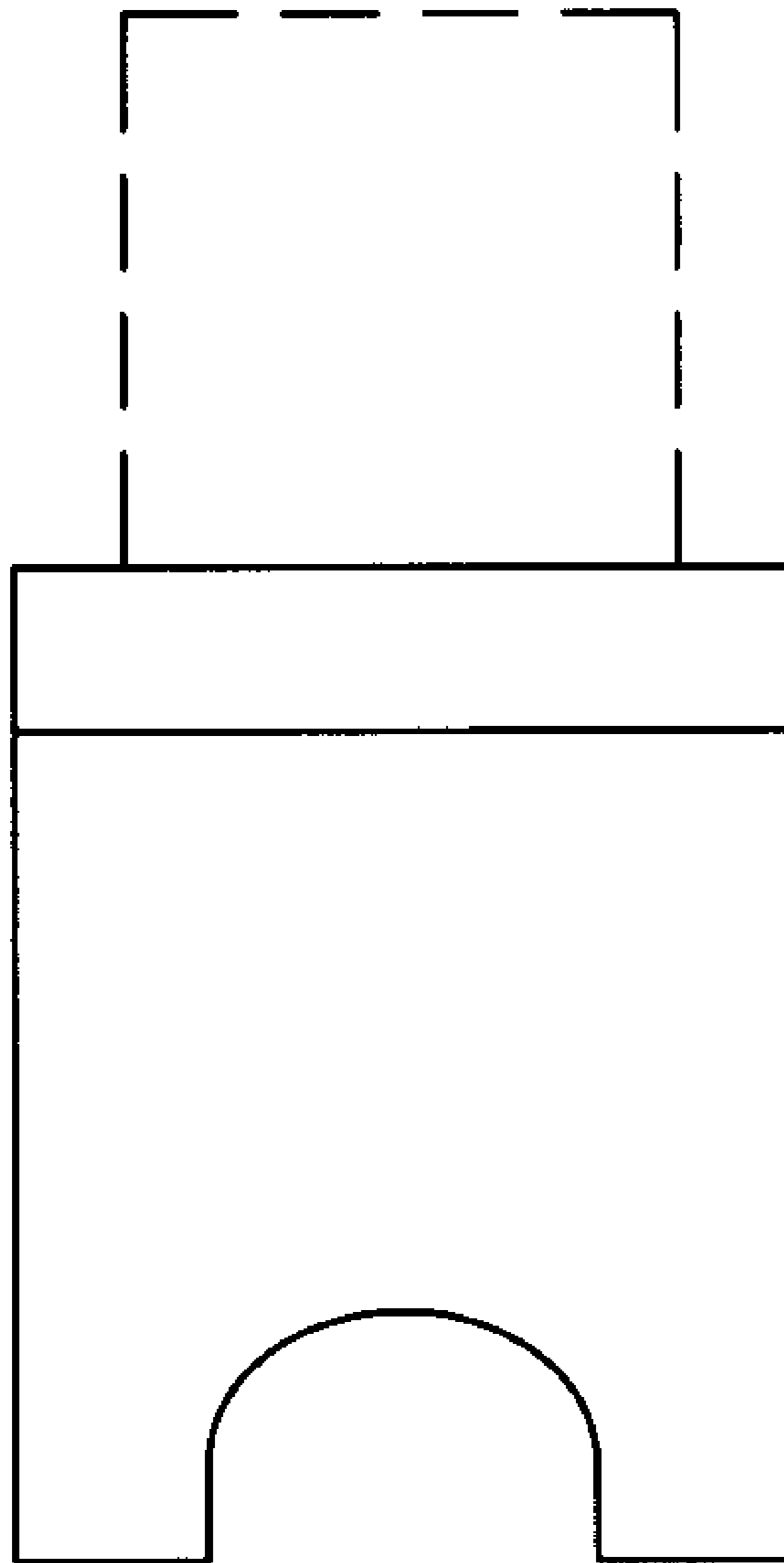


FIG. 7

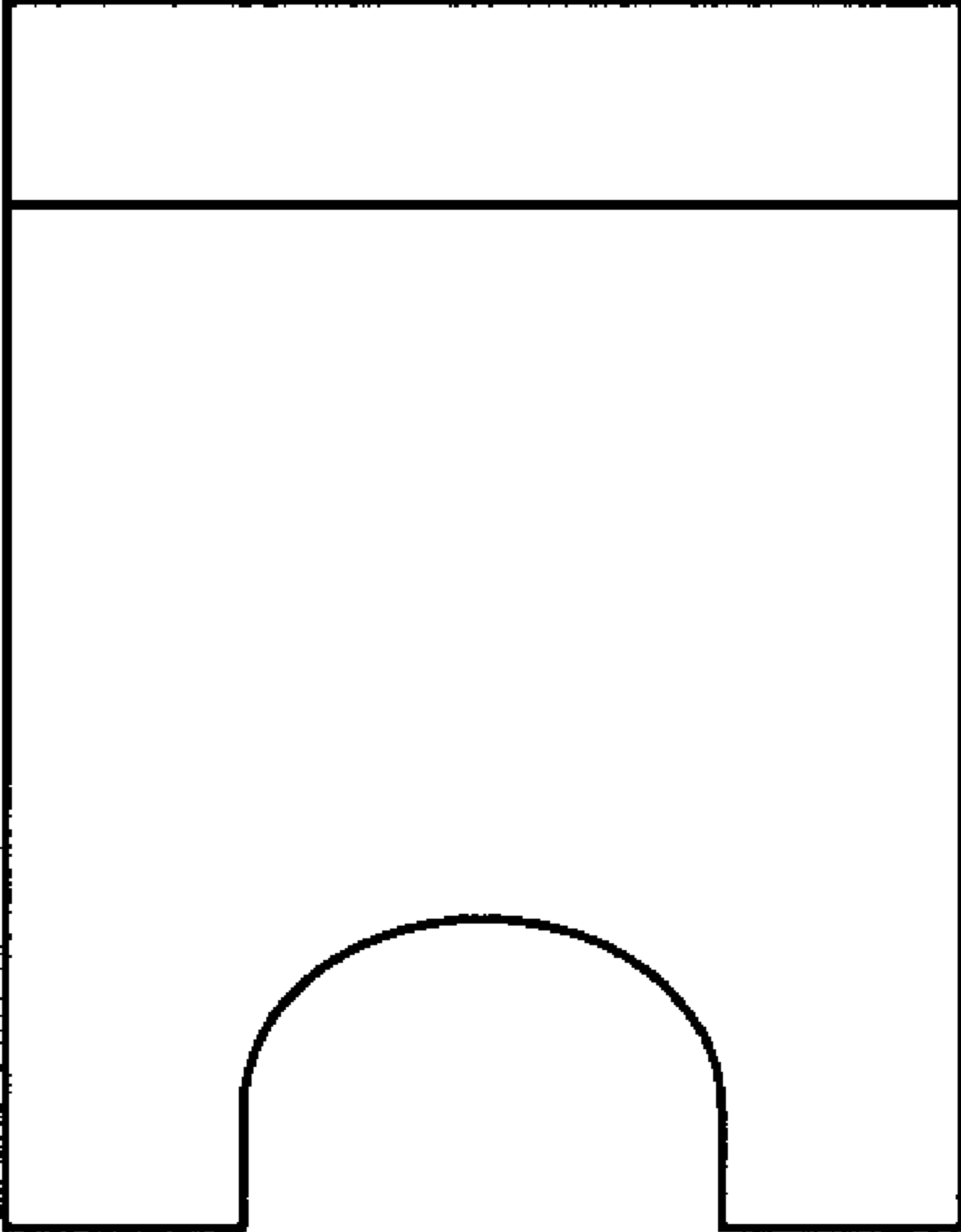


FIG. 8