



US00D551020S

(12) **United States Design Patent** (10) **Patent No.:** **US D551,020 S**
Kozlowski et al. (45) **Date of Patent:** **** Sep. 18, 2007**

(54) **BLENDER AGITATOR**

(75) Inventors: **Eugene J. Kozlowski**, Medina, OH (US); **Fred H. Mehlman**, Brunswick, OH (US); **Laura L. Manson**, Medina, OH (US)

(73) Assignee: **Vita-Mix Corporation**, Cleveland, OH (US)

(**) Term: **14 Years**

(21) Appl. No.: **29/268,317**

(22) Filed: **Nov. 3, 2006**

(51) **LOC (8) Cl.** **07-02**

(52) **U.S. Cl.** **D7/412**

(58) **Field of Classification Search** D7/213, D7/300.1, 368, 376-387, 392, 392.1, 397, D7/400, 409-415, 510-511, 591-592, 619, D7/693; D9/347, 446-447; D11/152; D24/197; D26/22; 68/133; 99/472, 485, 494, 505, 99/508, 535; 118/13-16; 215/11.1, 11.6, 215/13.1, DIG. 8; 220/505, 568, 672; 241/37.5, 241/169.1; 366/129-130, 135, 242, 342-343, 366/347

See application file for complete search history.

(56) **References Cited**

U.S. PATENT DOCUMENTS

| | | | | | |
|-----------|-----|---------|----------------|-------|---------|
| 1,075,119 | A * | 10/1913 | Reichner | | 99/508 |
| 1,661,336 | A * | 3/1928 | Katz | | 99/508 |
| 1,837,636 | A * | 12/1931 | Voss | | 68/133 |
| 1,878,924 | A * | 9/1932 | Will | | 366/130 |
| D90,534 | S * | 8/1933 | McArdle et al. | | D7/383 |
| 4,818,114 | A * | 4/1989 | Ghavi | | 366/130 |

| | | | | |
|--------------|------|---------|------------------|-----------------|
| D305,973 | S | 2/1990 | Barnard et al. | |
| D374,150 | S * | 10/1996 | Lillelund et al. | D7/387 |
| D421,545 | S * | 3/2000 | Ekstrom | D7/412 |
| D424,866 | S * | 5/2000 | Choi | D7/381 |
| D426,744 | S * | 6/2000 | Wong | D7/384 |
| 6,113,016 | A * | 9/2000 | Vedefors | 241/169.1 |
| D451,200 | S * | 11/2001 | Johansen et al. | D24/197 |
| D476,522 | S * | 7/2003 | Renz | D7/376 |
| D495,553 | S * | 9/2004 | Moss et al. | D7/376 |
| 7,036,975 | B2 * | 5/2006 | Renz | D66/130 |
| D529,336 | S * | 10/2006 | Katz et al. | D7/414 |
| D534,393 | S * | 1/2007 | de Groote | D7/376 |
| 2005/0258286 | A1 * | 11/2005 | Katz et al. | 241/37.5 |

* cited by examiner

Primary Examiner—Cathron C. Brooks

Assistant Examiner—Ricky Pham

(74) *Attorney, Agent, or Firm*—Renner, Kenner, Greive, Bobak, Taylor, & Weber

(57) **CLAIM**

The ornamental design for a blender agitator, as shown and described.

DESCRIPTION

FIG. 1 is a top, front, right side perspective view of a blender agitator showing our new design;

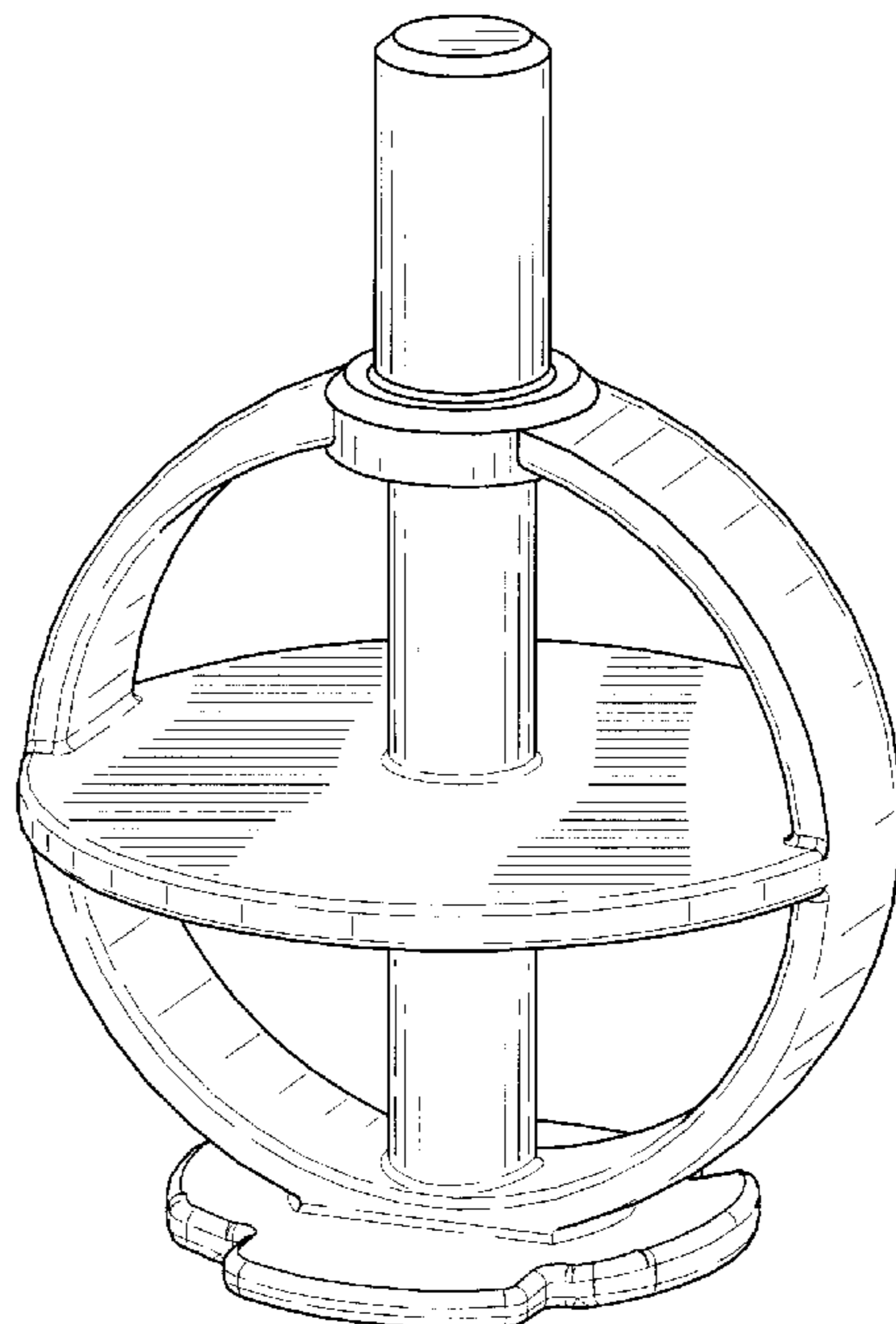
FIG. 2 is a left side elevational view thereof, the right side being identical to FIG. 2;

FIG. 3 is a rear elevational view thereof, the front being identical to FIG. 3;

FIG. 4 is a top plan view thereof; and,

FIG. 5 is a bottom plan view thereof.

1 Claim, 3 Drawing Sheets



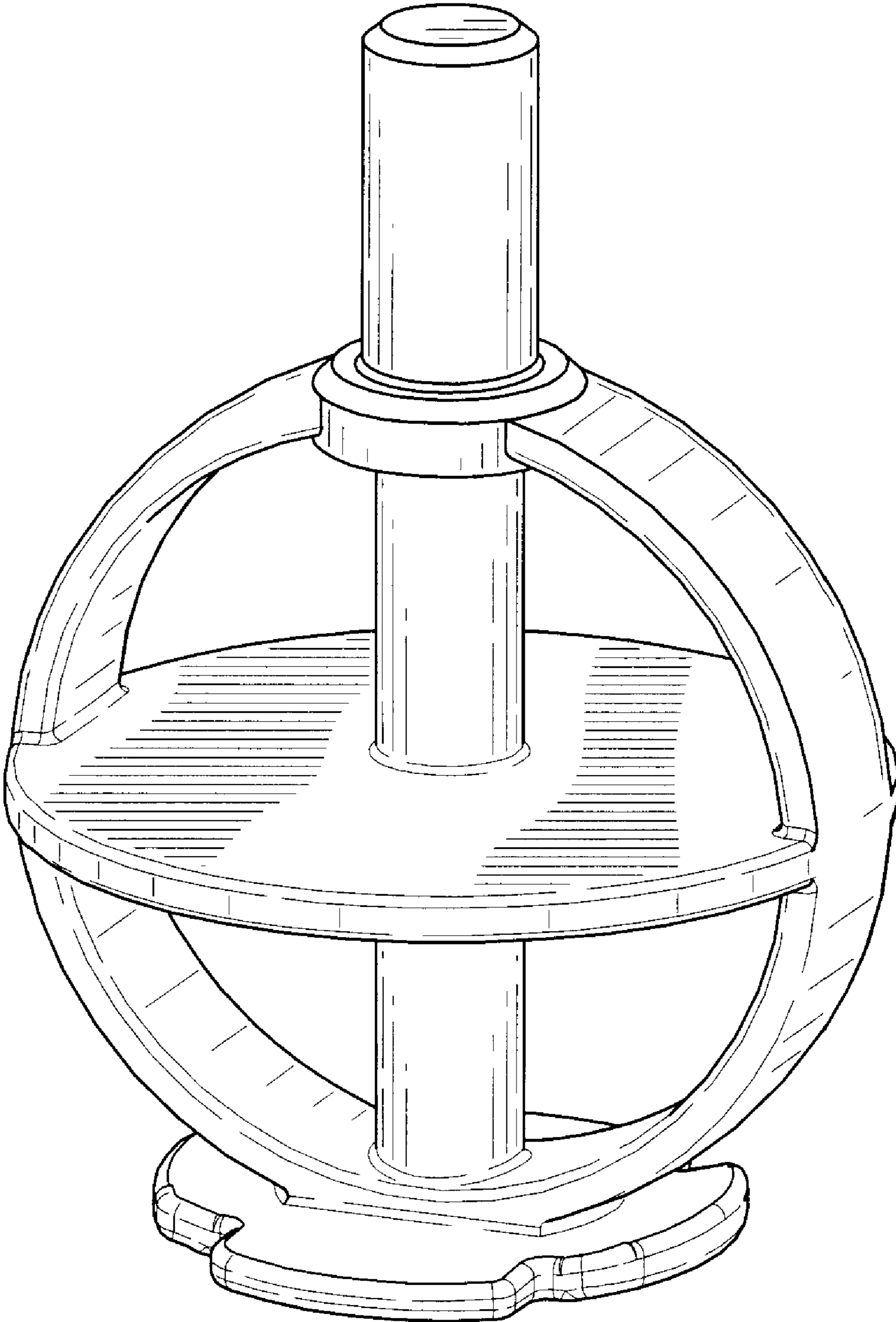


FIG-1

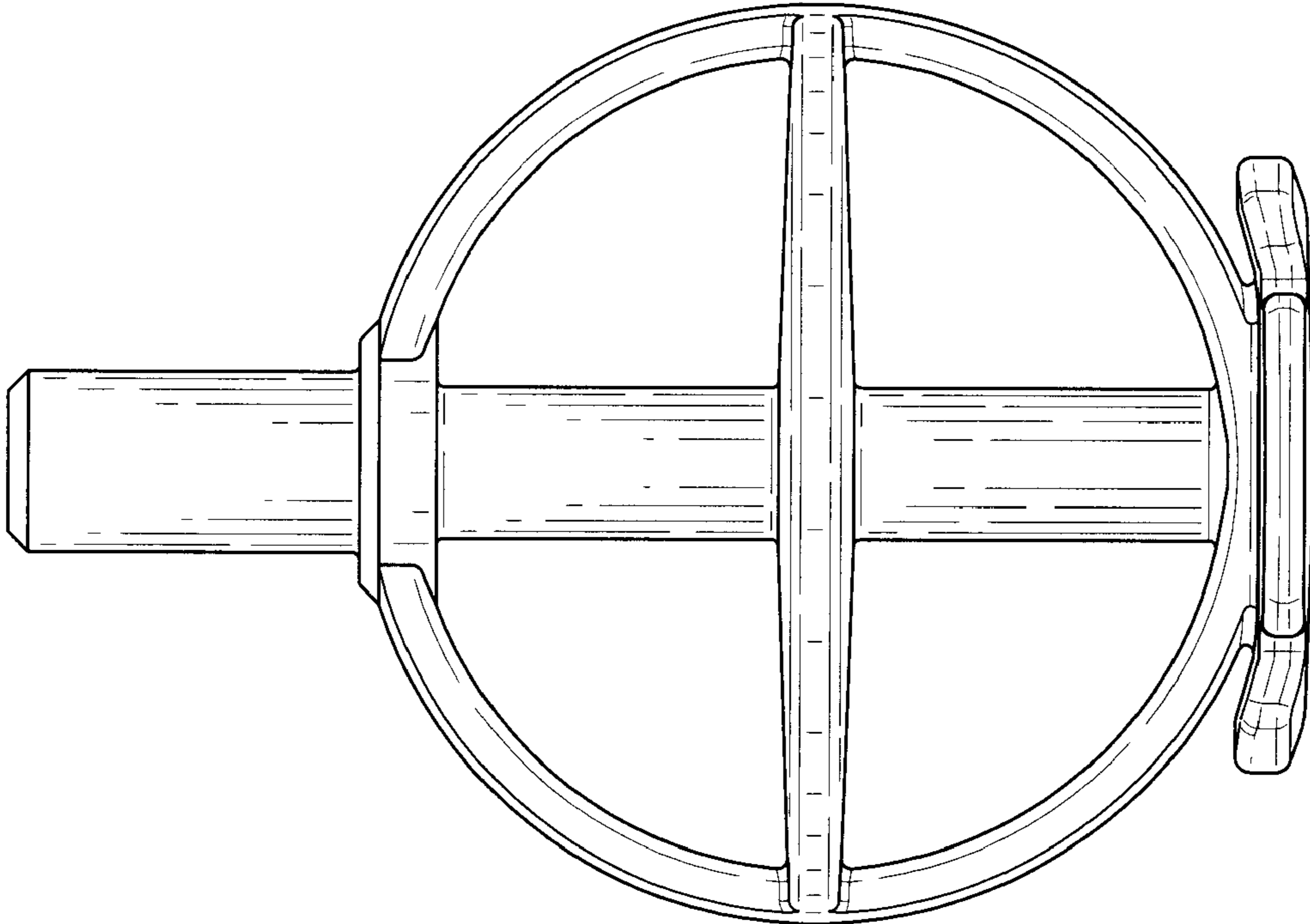


FIG-3

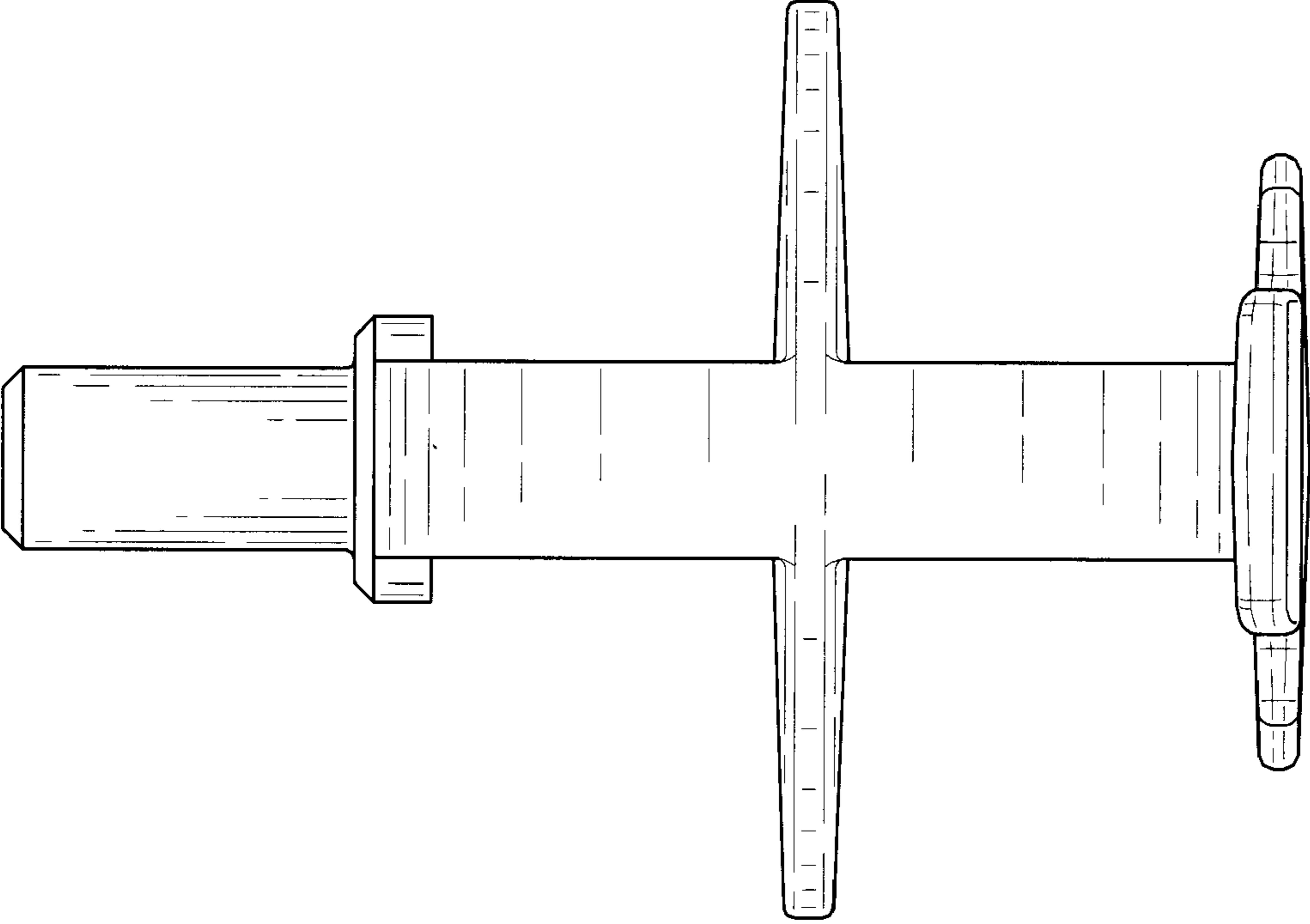


FIG-2

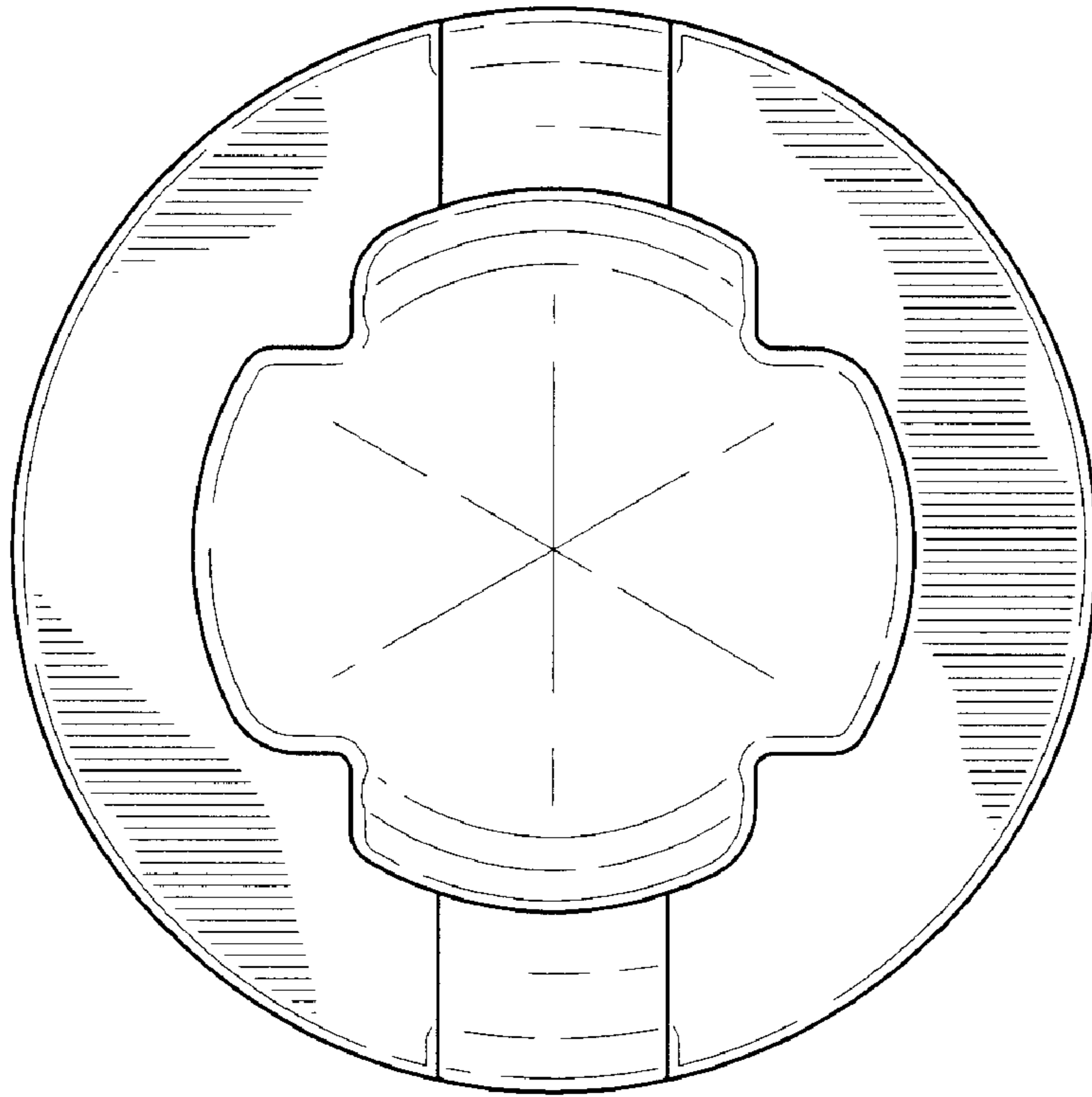


FIG-5

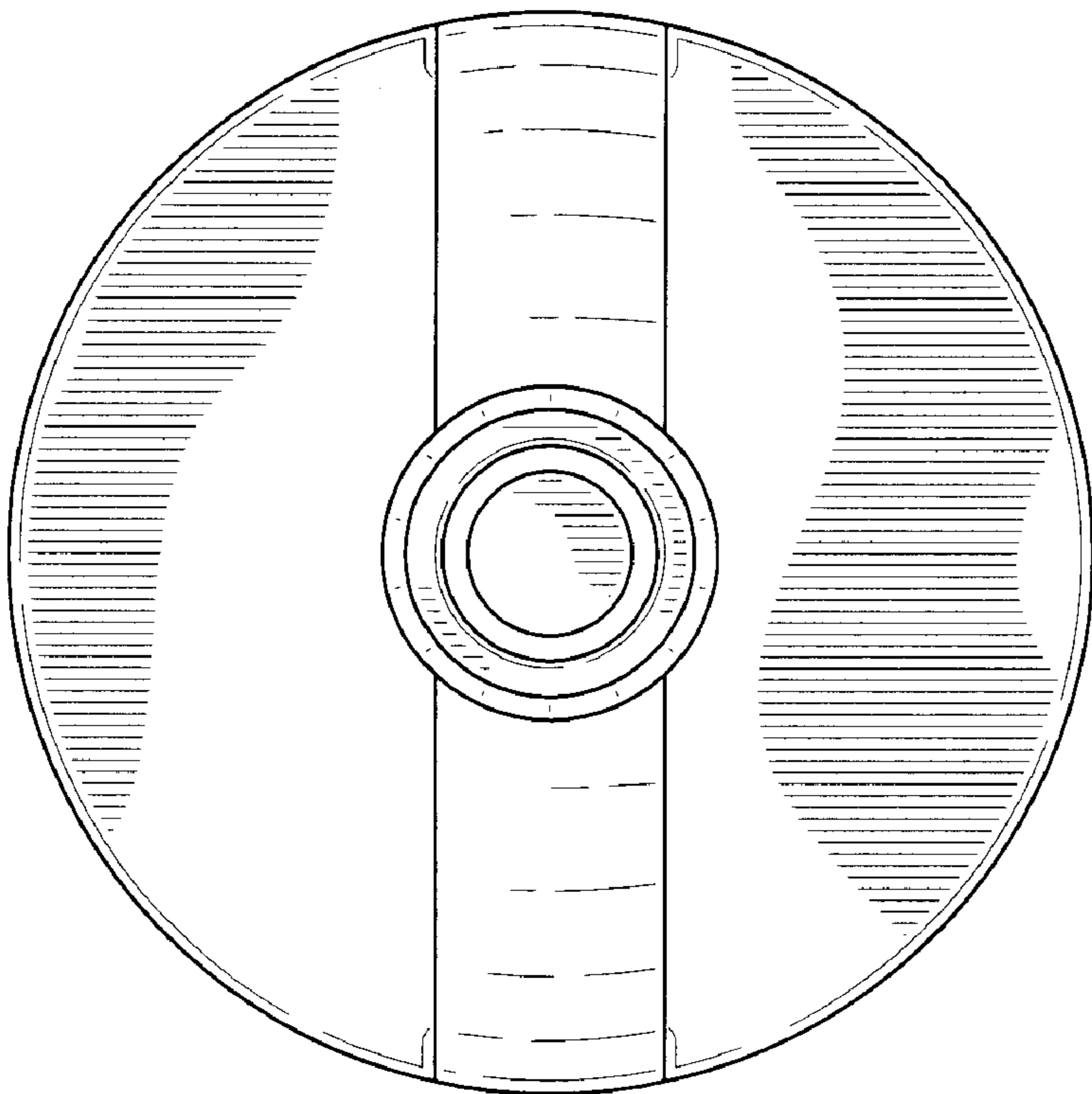


FIG-4