

US00D551016S

(12) **United States Design Patent**  
**Bond**

(10) **Patent No.:** **US D551,016 S**

(45) **Date of Patent:** **\*\* Sep. 18, 2007**

(54) **POPCORN MAKER**

(75) Inventor: **Gregg Bond**, Beverly Hills, CA (US)

(73) Assignee: **The Helman Group, Ltd.**, Oxnard, CA (US)

(\*\*) Term: **14 Years**

(21) Appl. No.: **29/278,607**

(22) Filed: **Apr. 3, 2007**

(51) **LOC (8) Cl.** ..... **31-00**

(52) **U.S. Cl.** ..... **D7/325**

(58) **Field of Classification Search** ..... D7/323,  
D7/325, 354-361, 500; D20/1; D34/14;  
99/323.4, 323.5, 323.6, 323.7, 323.8, 323.9,  
99/442; 219/433, 441, 728-731, 735, 745;  
426/234, 243

See application file for complete search history.

(56) **References Cited**

**U.S. PATENT DOCUMENTS**

- D163,497 S \* 5/1951 Waas ..... D7/325
- D177,161 S \* 3/1956 Waas ..... D7/325
- D279,069 S \* 6/1985 Goodlaxson ..... D7/325
- D309,919 S \* 8/1990 Byrley ..... D20/1
- D460,846 S \* 7/2002 Helman et al. .... D34/14
- 6,460,451 B1 \* 10/2002 Helman et al. .... 99/323.5

**OTHER PUBLICATIONS**

The Lighter Side Co., Spring 2006, Tabletop Popcorn Popper, p. 52.\*

\* cited by examiner

*Primary Examiner*—Cathron C. Brooks

*Assistant Examiner*—Ricky Pham

(74) *Attorney, Agent, or Firm*—Chen Yoshimura LLP

(57) **CLAIM**

The ornamental design for a popcorn maker, as shown and described.

**DESCRIPTION**

FIG. 1 is a front and left side perspective view of a popcorn maker showing my new design;

FIG. 2 is a front elevational view thereof;

FIG. 3 is a rear elevational view thereof;

FIG. 4 is a right side elevational view thereof;

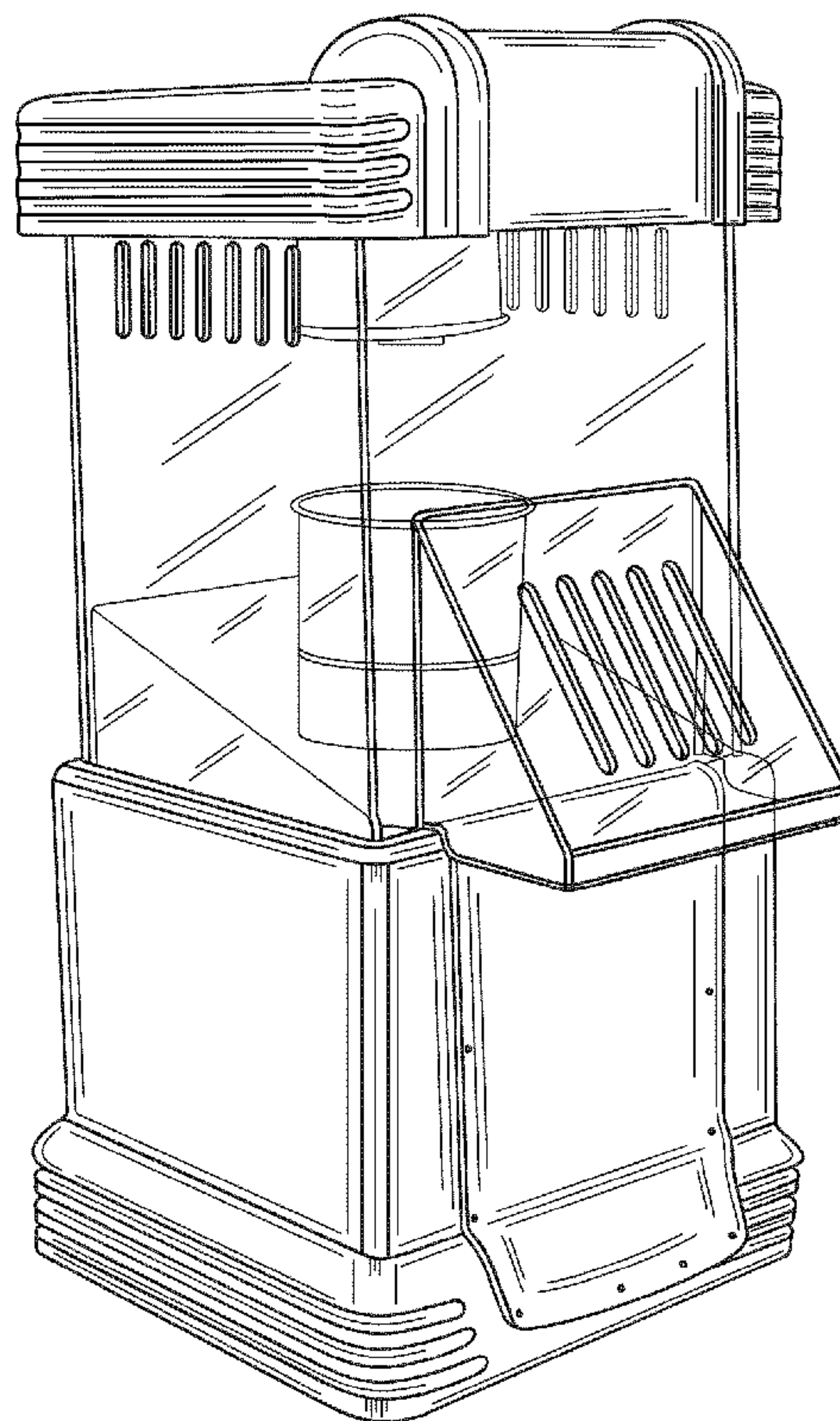
FIG. 5 is a left side elevational view thereof;

FIG. 6 is a top plan view thereof; and,

FIG. 7 is a bottom plan view thereof.

The broken lines shown in the drawings are for illustrating portions of the popcorn maker that form no part of the claimed design.

**1 Claim, 6 Drawing Sheets**



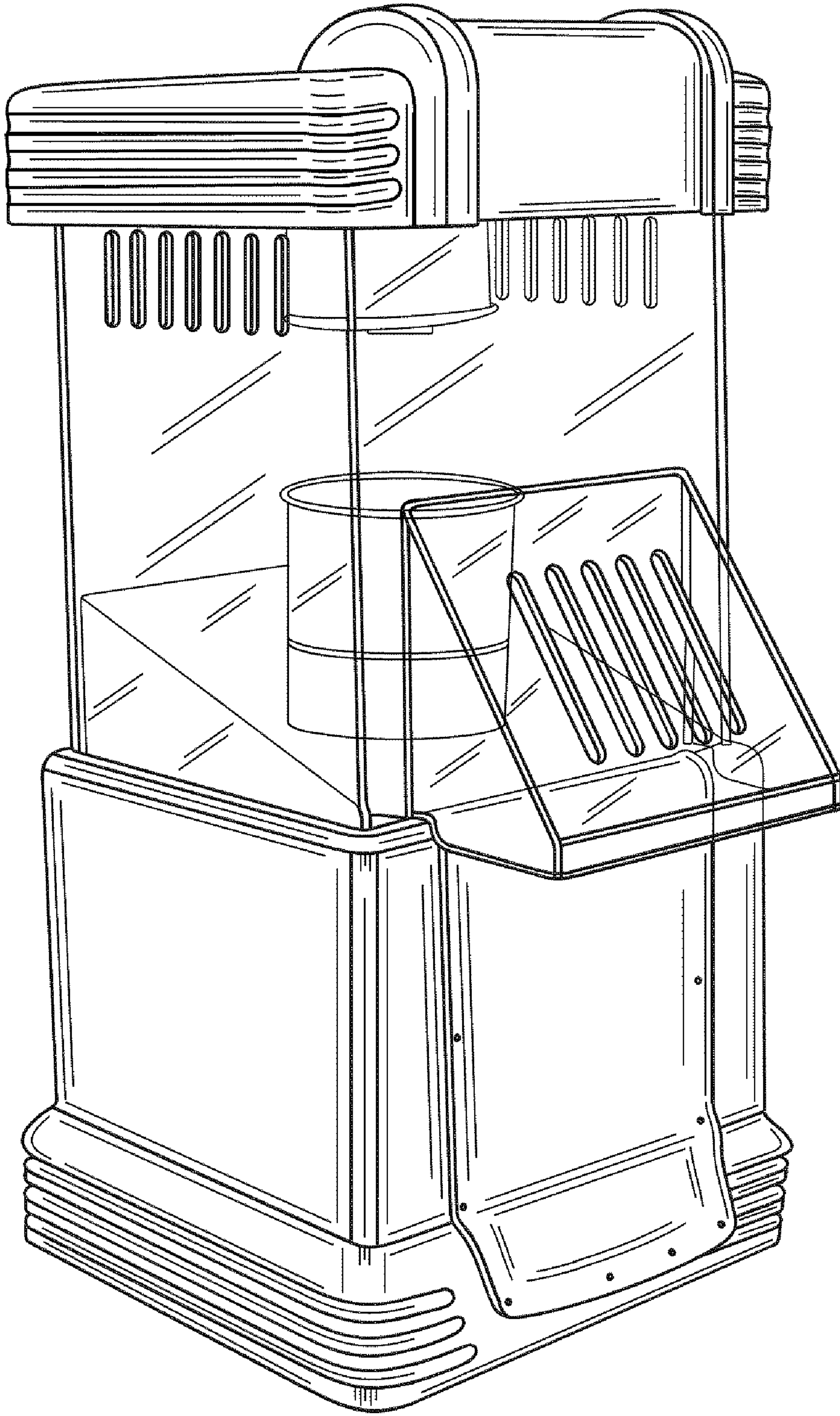


FIG. 1

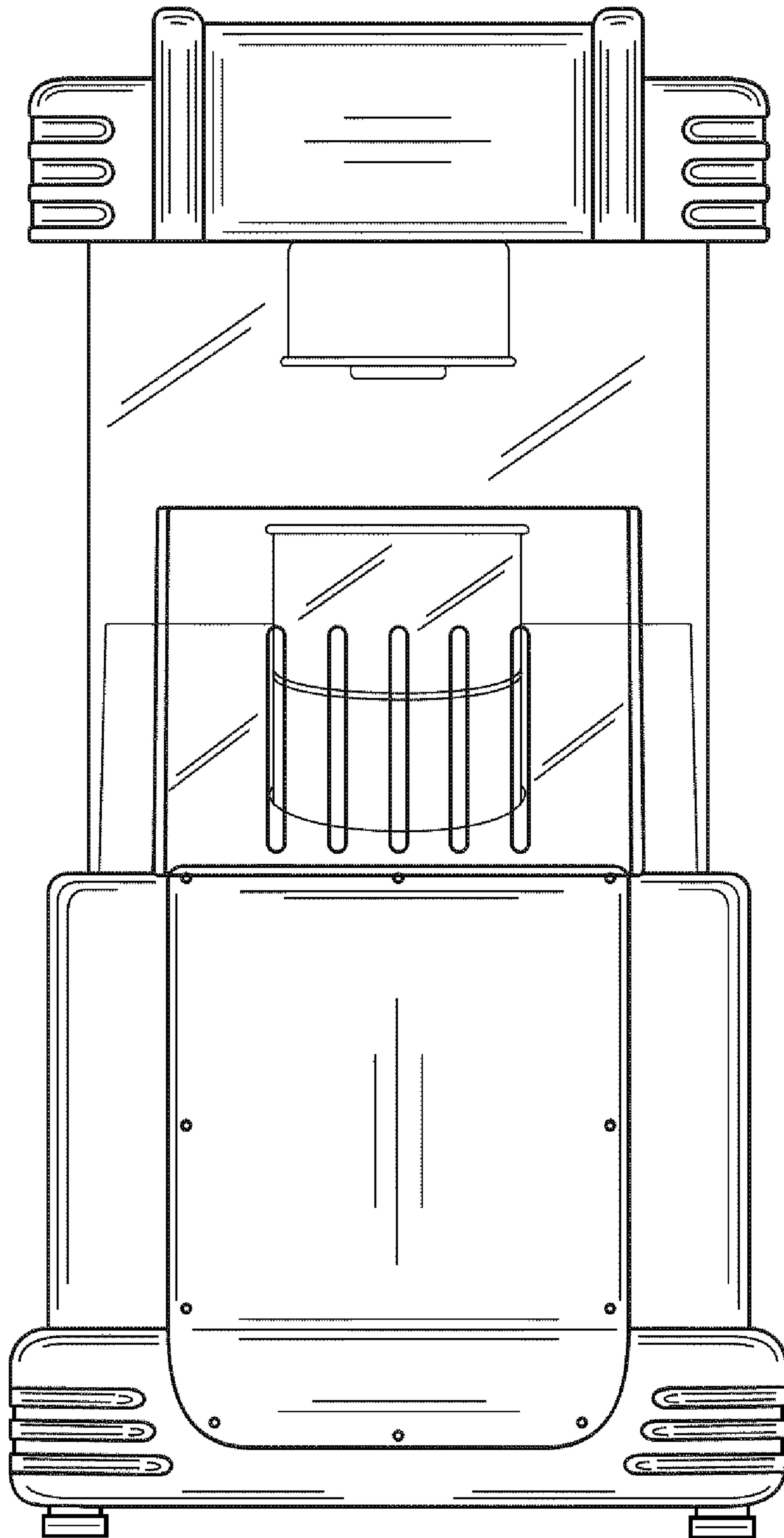


FIG. 2

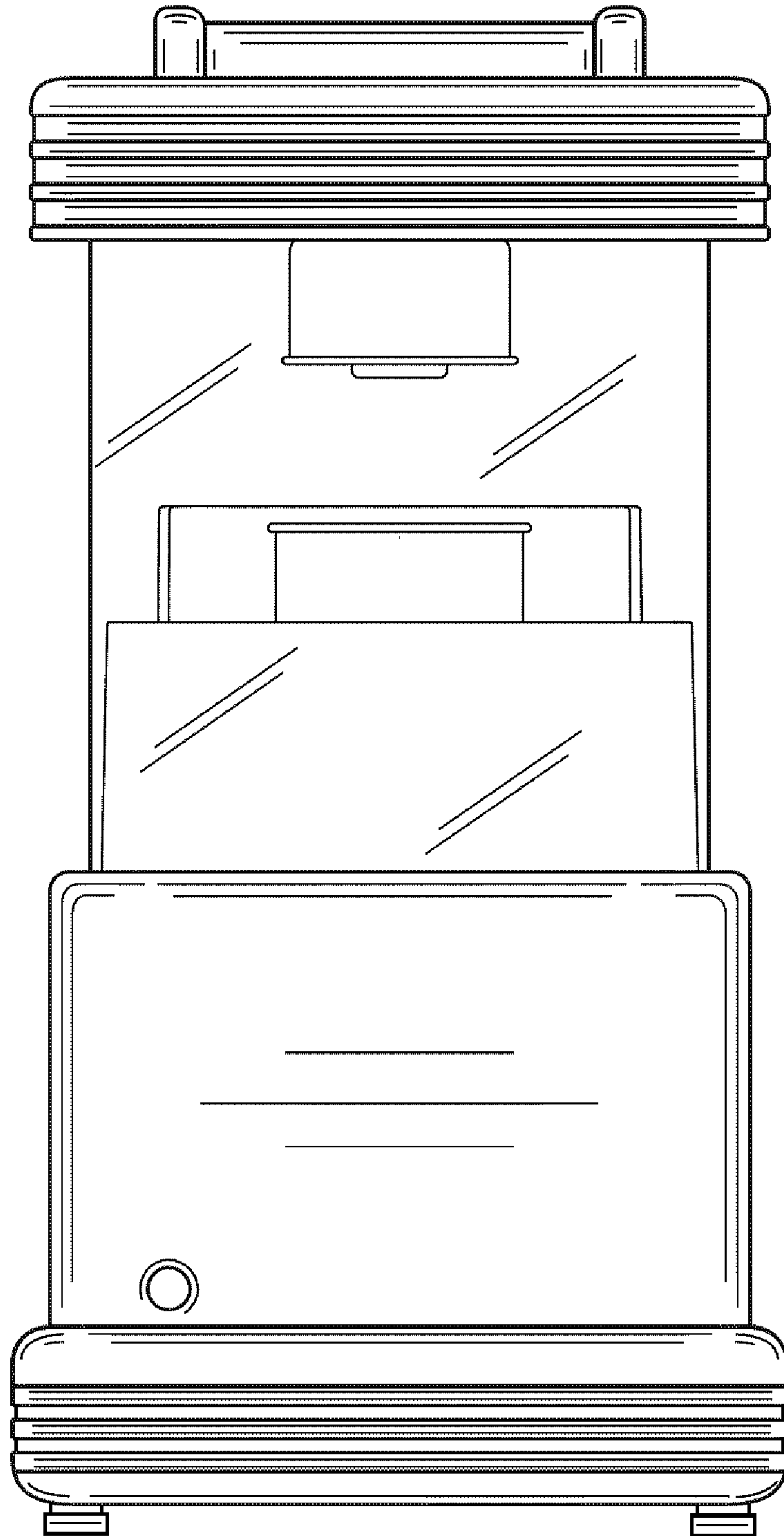


FIG. 3



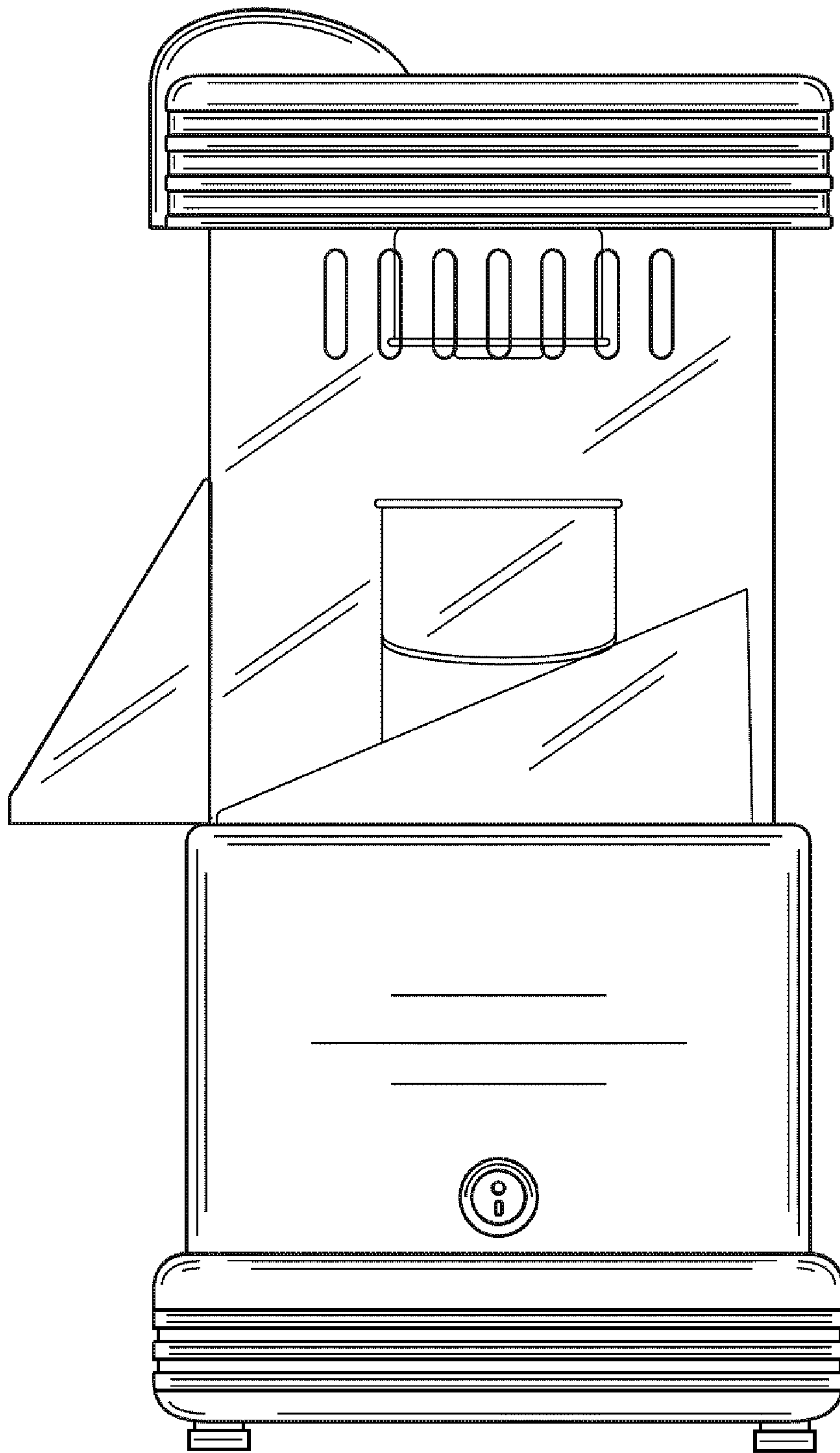


FIG. 4

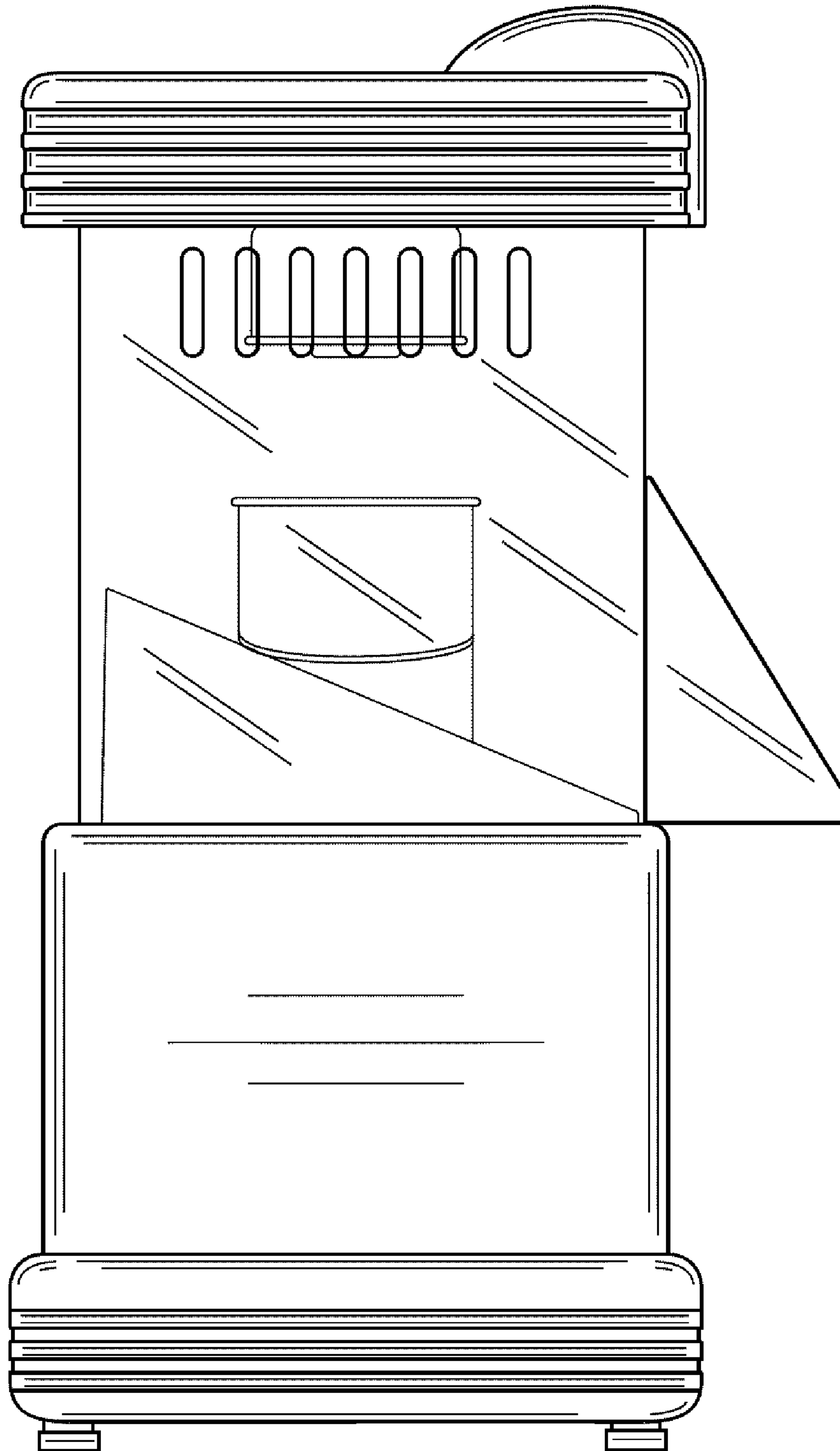


FIG. 5

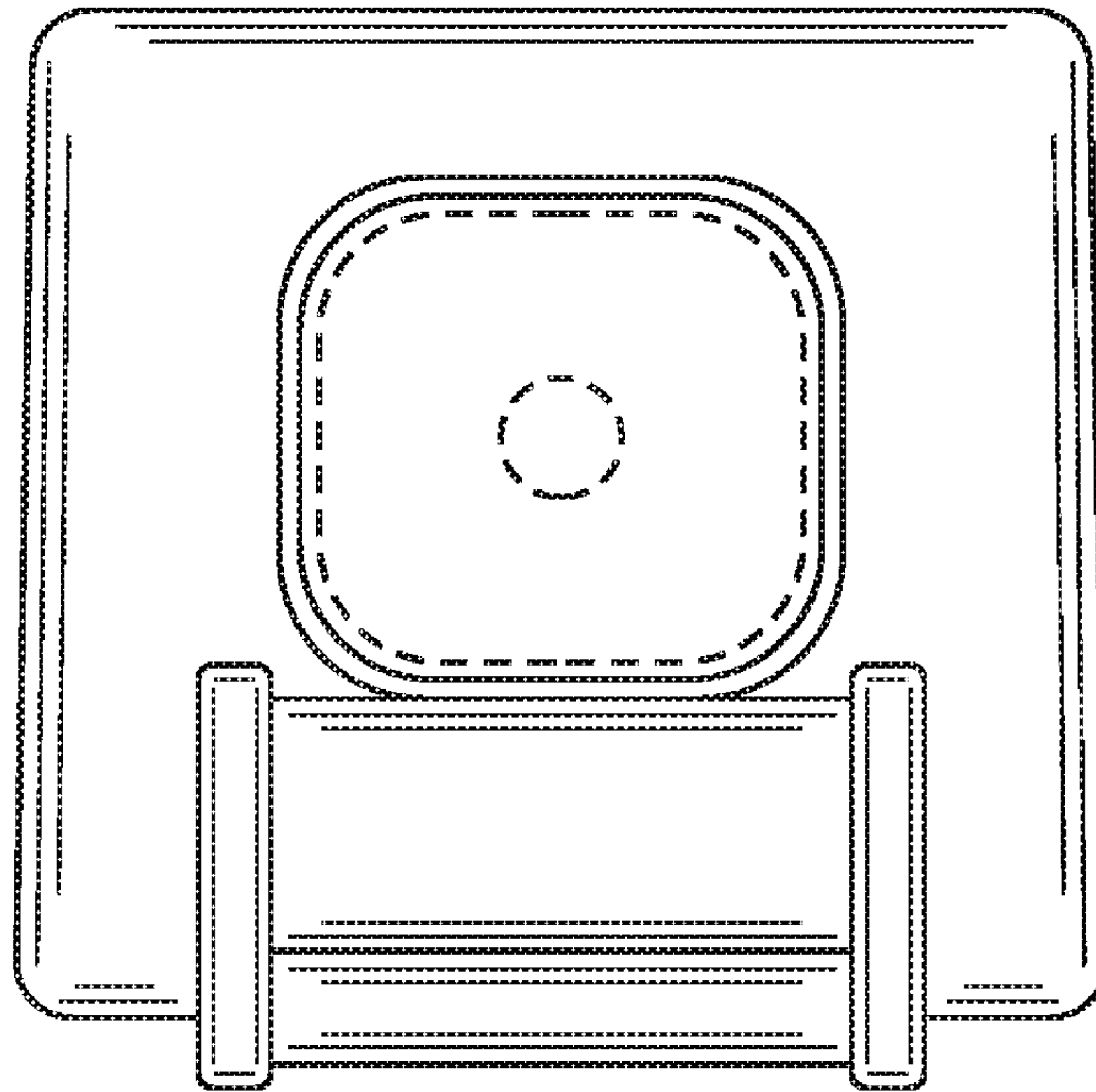


FIG. 6

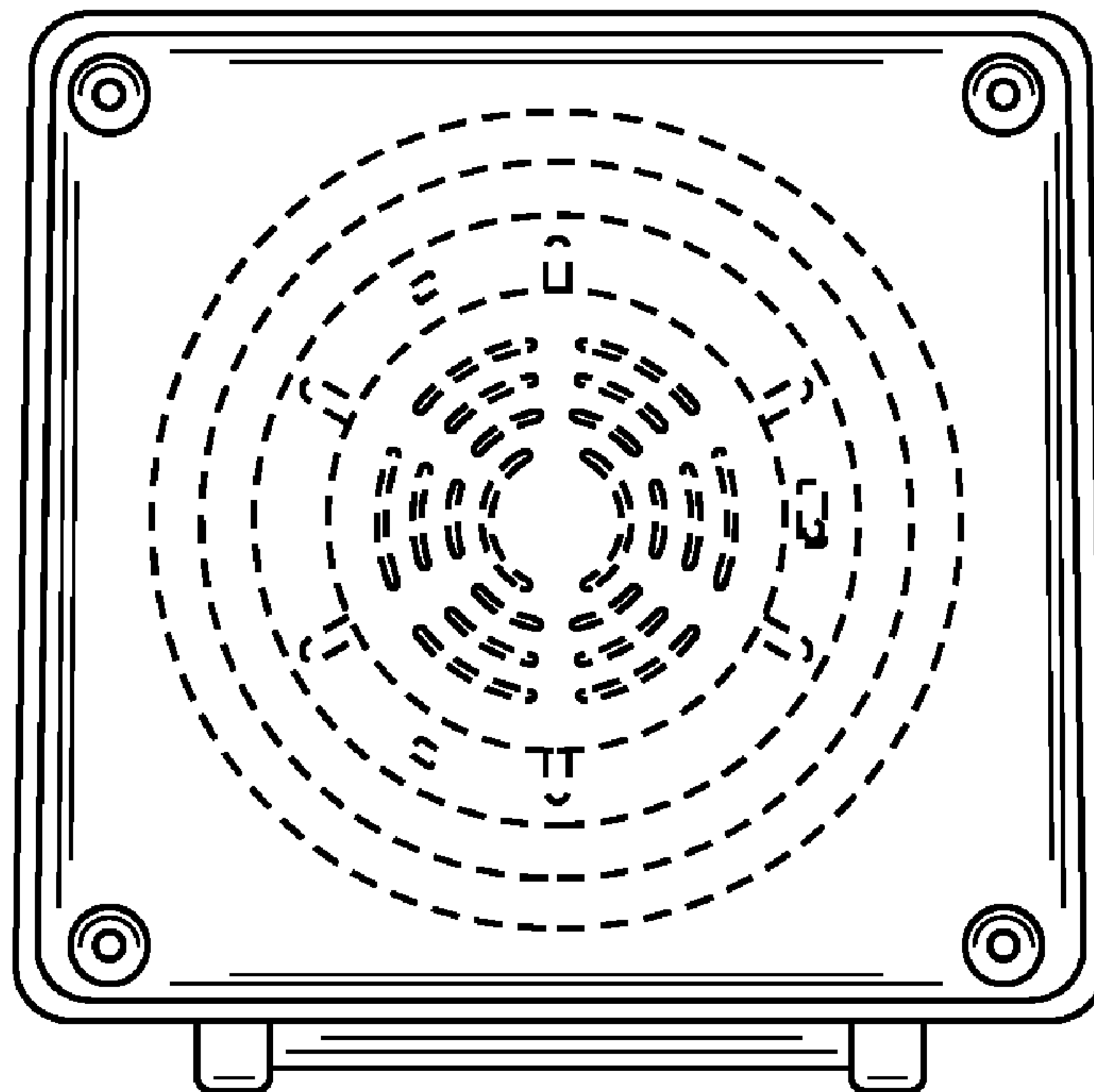


FIG. 7