



US00D551015S

(12) **United States Design Patent**  
**Huang**

(10) **Patent No.:** **US D551,015 S**

(45) **Date of Patent:** **\*\* Sep. 18, 2007**

(54) **VACUUM FLASK**

(75) **Inventor:** **Teh-hsiung Frank Huang**, Hong Kong (HK)

(73) **Assignee:** **Phoenix Vacuum Flask Company, Ltd.**, Shatin, N.T. (HK)

(\*\*) **Term:** **14 Years**

(21) **Appl. No.:** **29/240,497**

(22) **Filed:** **Oct. 12, 2005**

(51) **LOC (8) Cl.** ..... **07-01**

(52) **U.S. Cl.** ..... **D7/318; D7/317**

(58) **Field of Classification Search** ..... D7/300,  
D7/316-319, 321; 99/323.3; 215/12.1;  
222/505, 131, 470, 144.5, 566; 220/4.01;  
210/85, 121, 282; D23/209

See application file for complete search history.

(56) **References Cited**

**U.S. PATENT DOCUMENTS**

- 3,107,029 A \* 10/1963 Rylander ..... 220/740
- 3,130,856 A \* 4/1964 Gits ..... 220/263
- D205,781 S \* 9/1966 Valle et al. .... D7/317
- 3,558,023 A \* 1/1971 Yoshito ..... 222/556
- 3,861,565 A \* 1/1975 Rickmeier, Jr. .... 222/131
- D255,206 S \* 6/1980 Darnell ..... D7/319

- 4,251,004 A \* 2/1981 Sun ..... 220/4.01
- D258,712 S \* 3/1981 Jacobson ..... D7/317
- 4,750,644 A \* 6/1988 Kolody ..... 222/144.5
- D337,690 S \* 7/1993 Bunn et al. .... D7/317
- 5,242,093 A \* 9/1993 Worrell et al. .... 222/470
- D395,784 S \* 7/1998 Michaeli ..... D7/319
- 5,900,138 A \* 5/1999 Moretto ..... 210/85
- D486,032 S \* 2/2004 Leung ..... D7/319
- D535,854 S \* 1/2007 Schreitmuller ..... D7/398

\* cited by examiner

*Primary Examiner*—M. N. Pandozzi

(74) *Attorney, Agent, or Firm*—Kenyon & Kenyon, LLP

(57) **CLAIM**

The ornamental design for a vacuum flask, as shown and described.

**DESCRIPTION**

FIG. 1 is a front elevation view of an example embodiment of a vacuum flask showing my new design.

FIG. 2 is rear elevation view thereof.

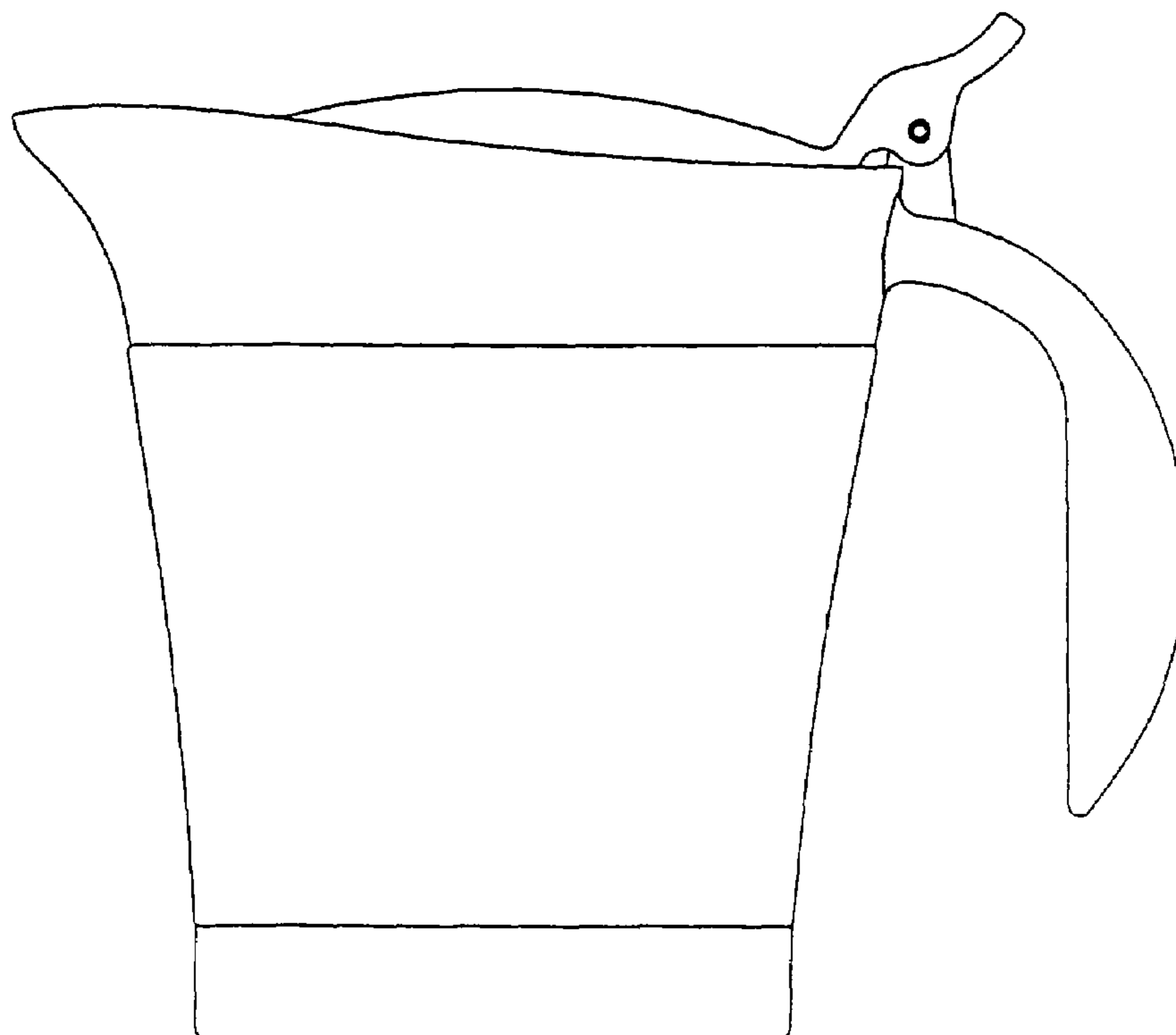
FIG. 3 is a left side elevation view thereof.

FIG. 4 is a right side elevation view thereof.

FIG. 5 is a top plan view thereof; and,

FIG. 6 is a bottom plan view thereof.

**1 Claim, 6 Drawing Sheets**



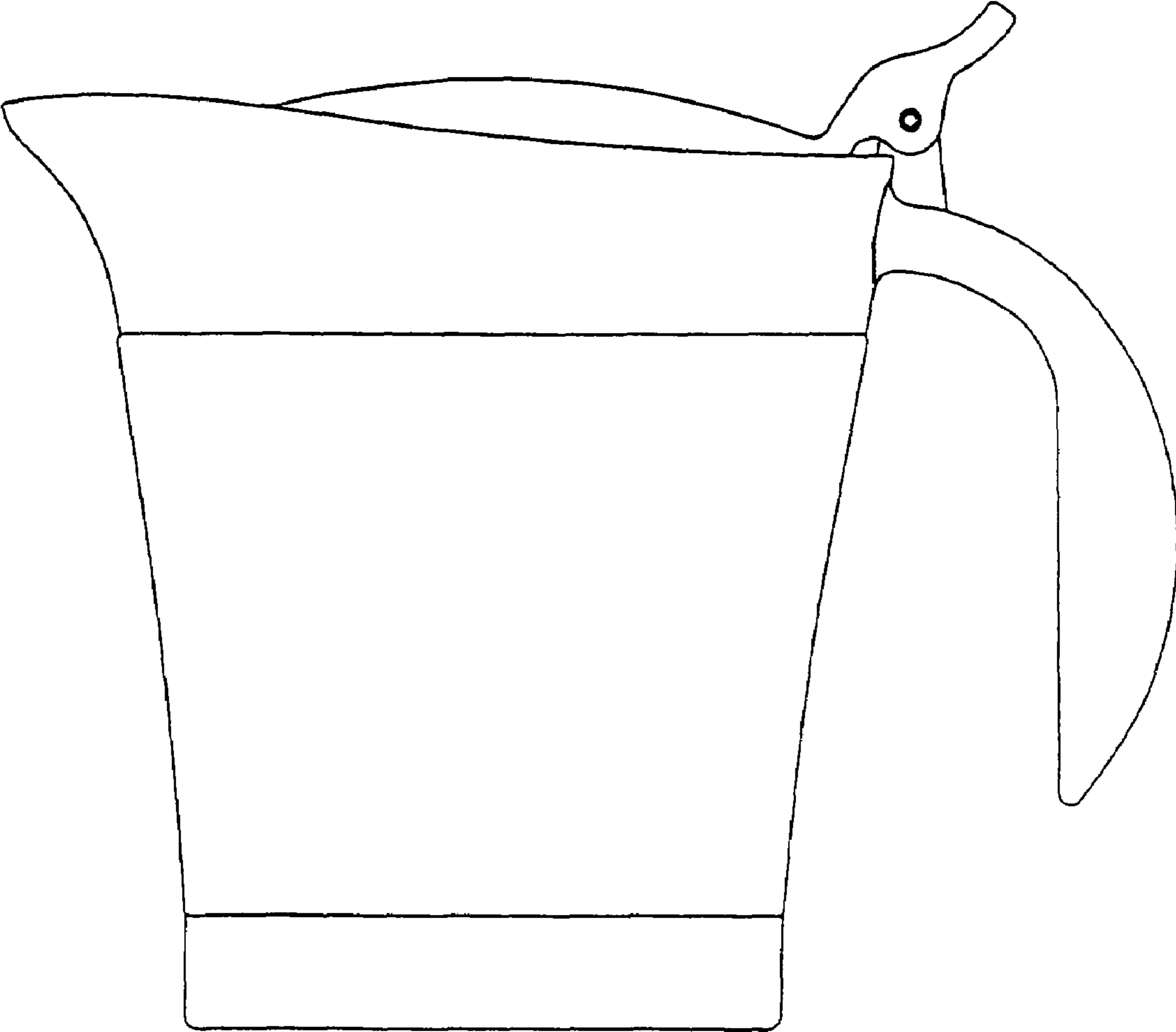


FIG. 1

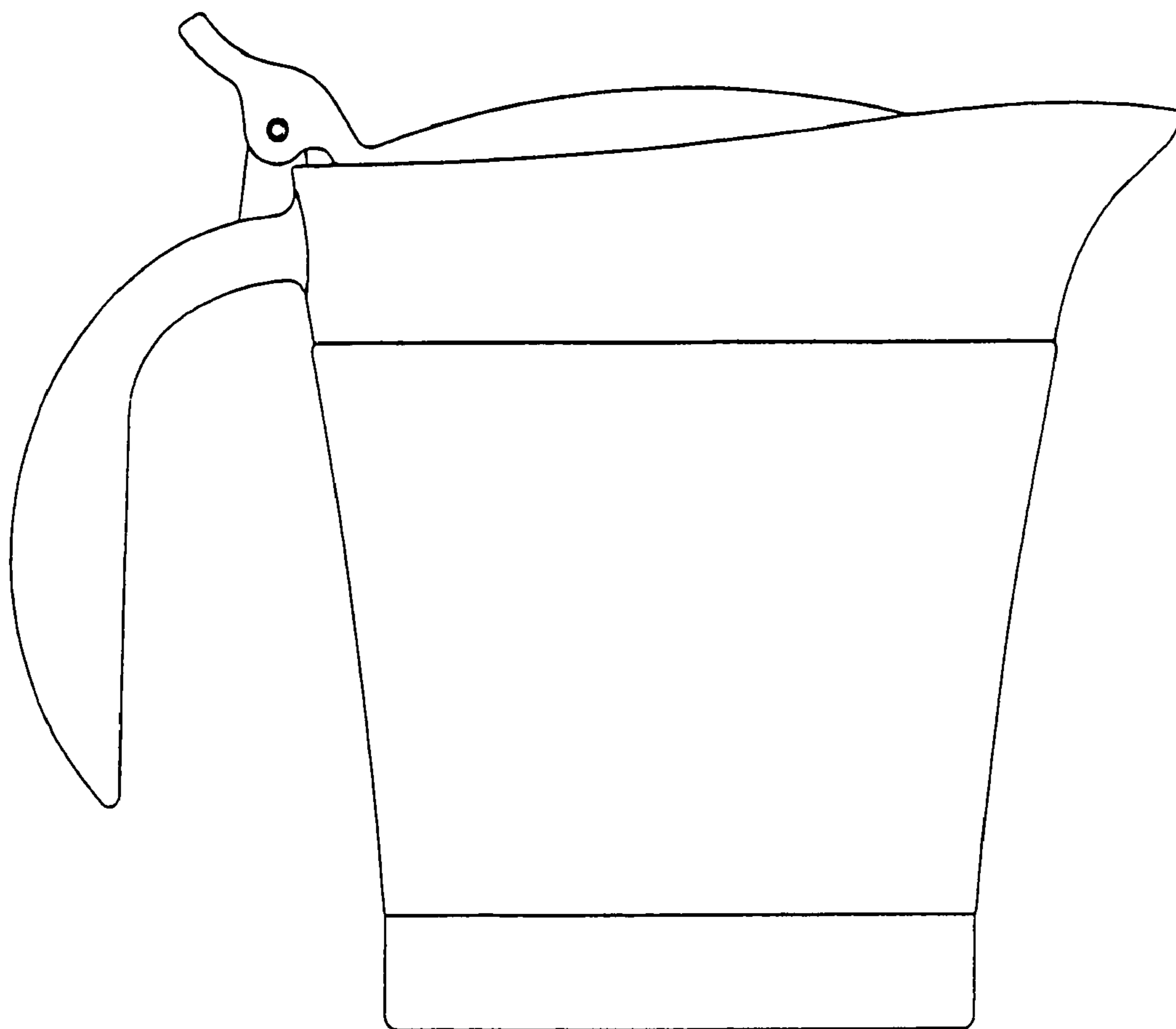


FIG. 2

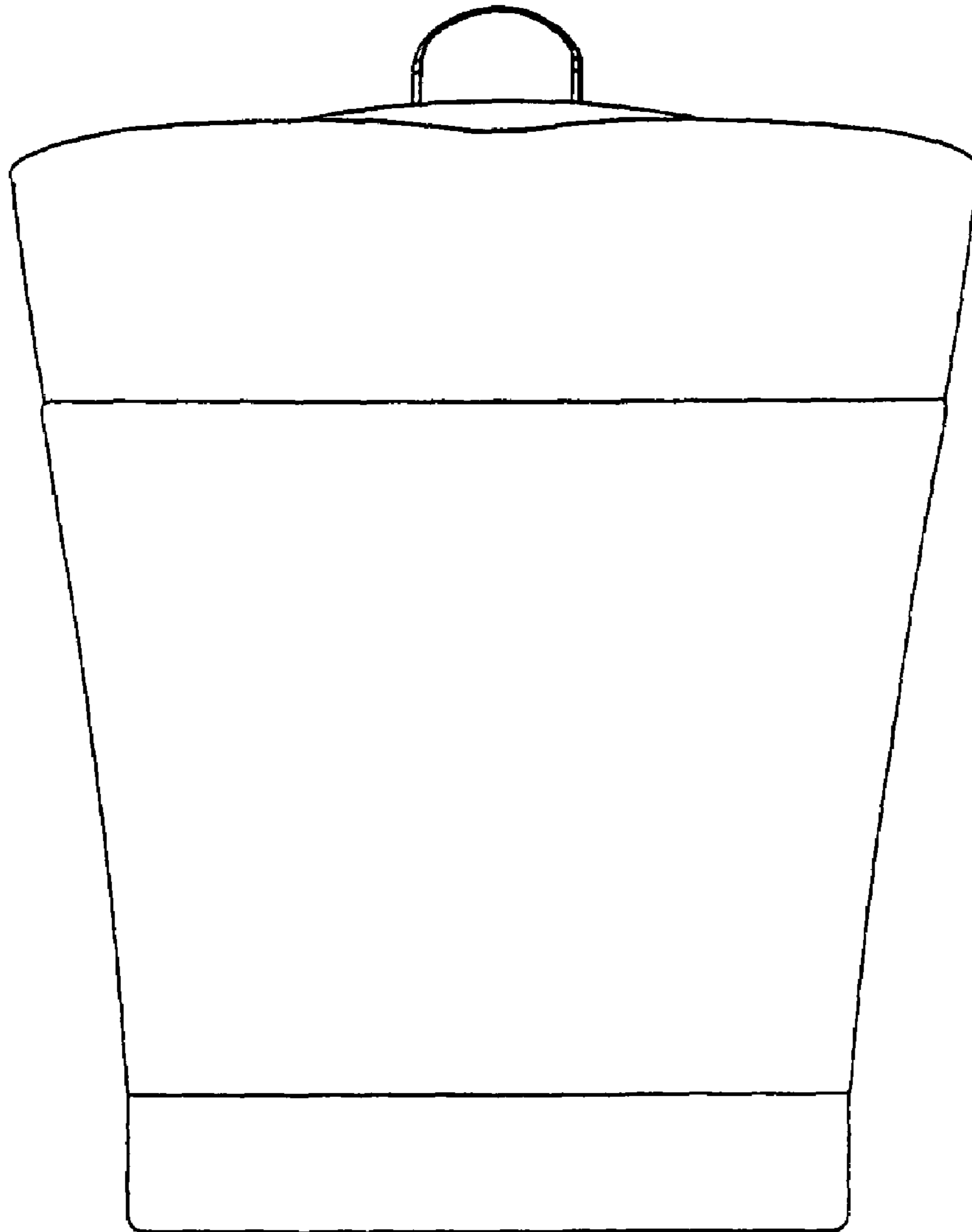


FIG. 3

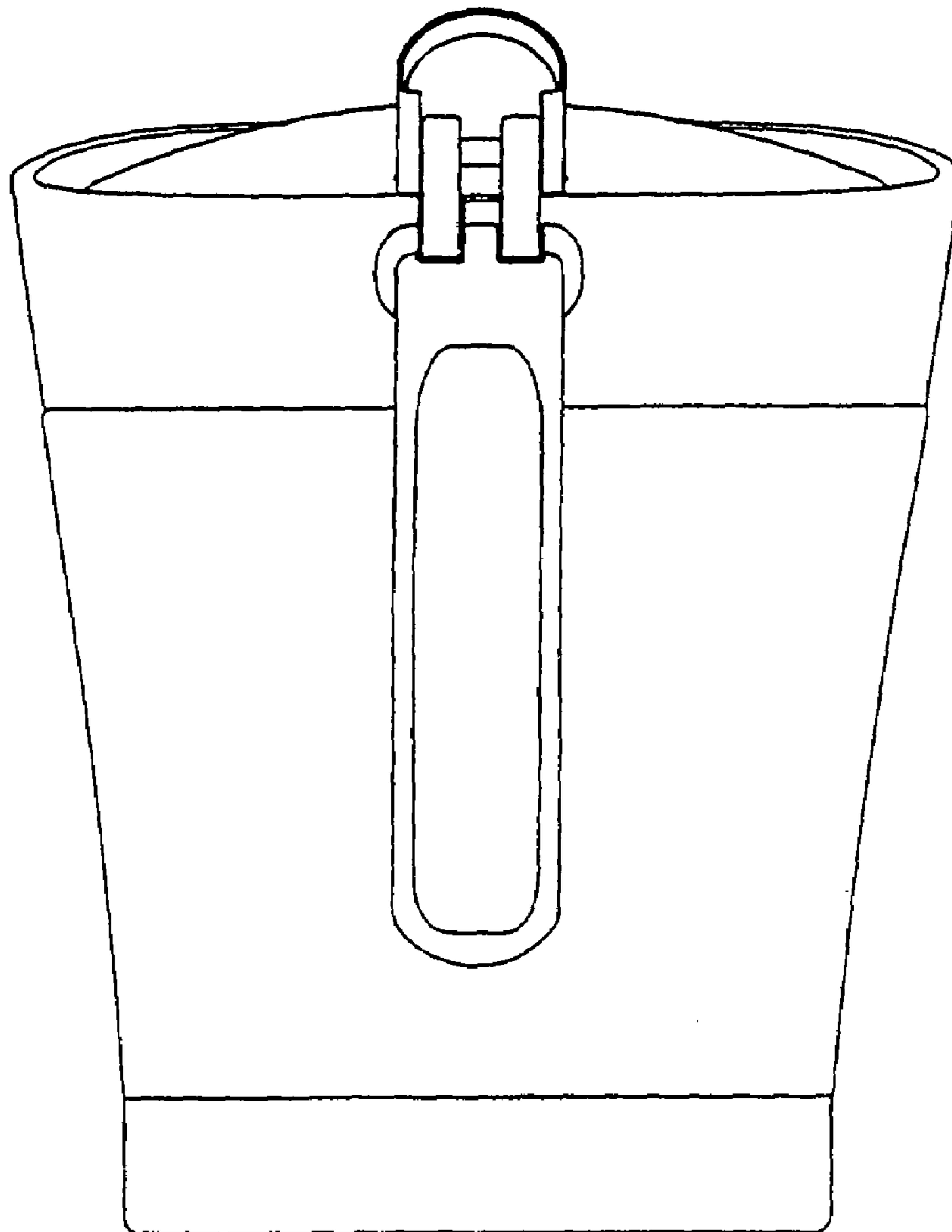


FIG. 4

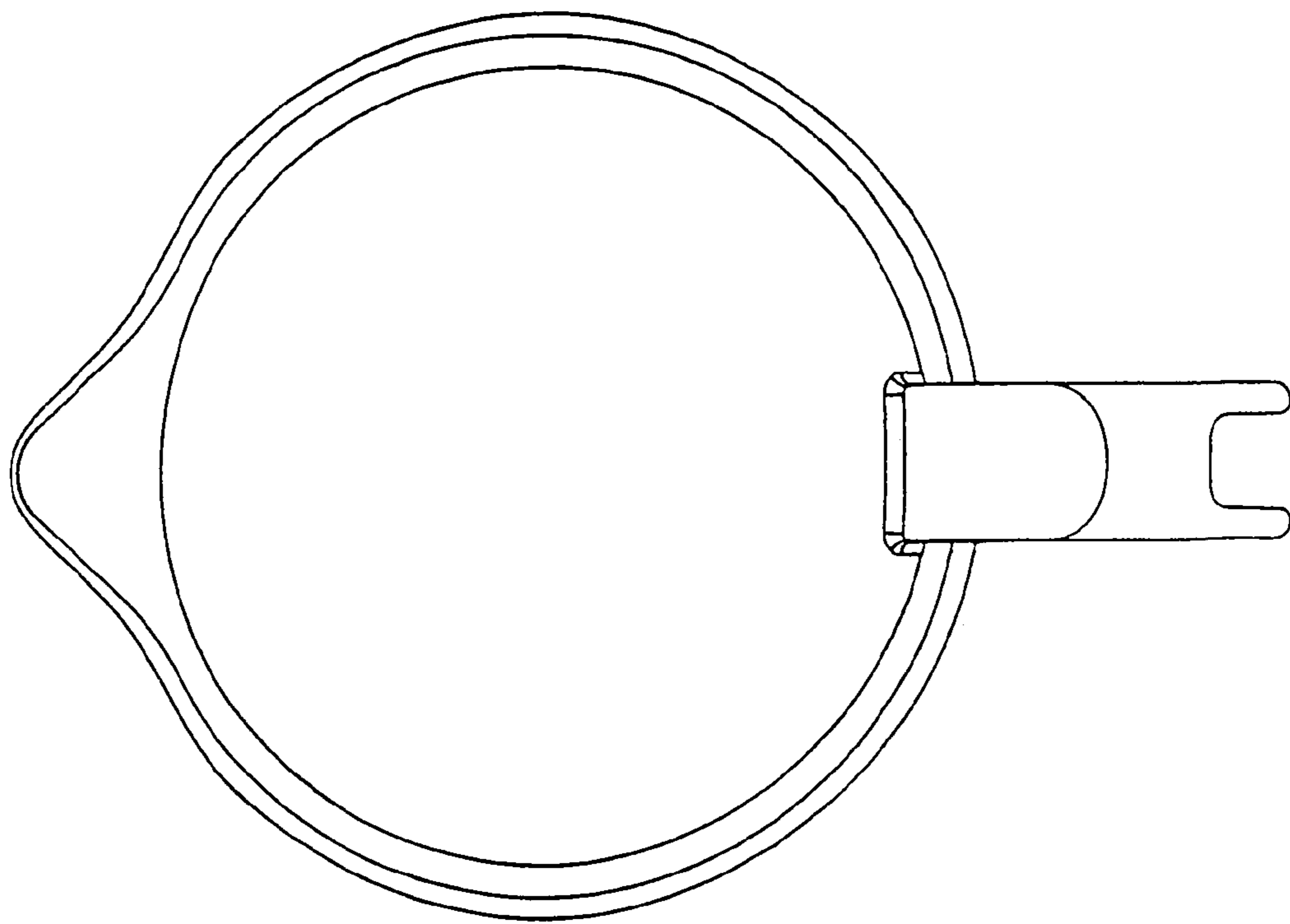


FIG. 5

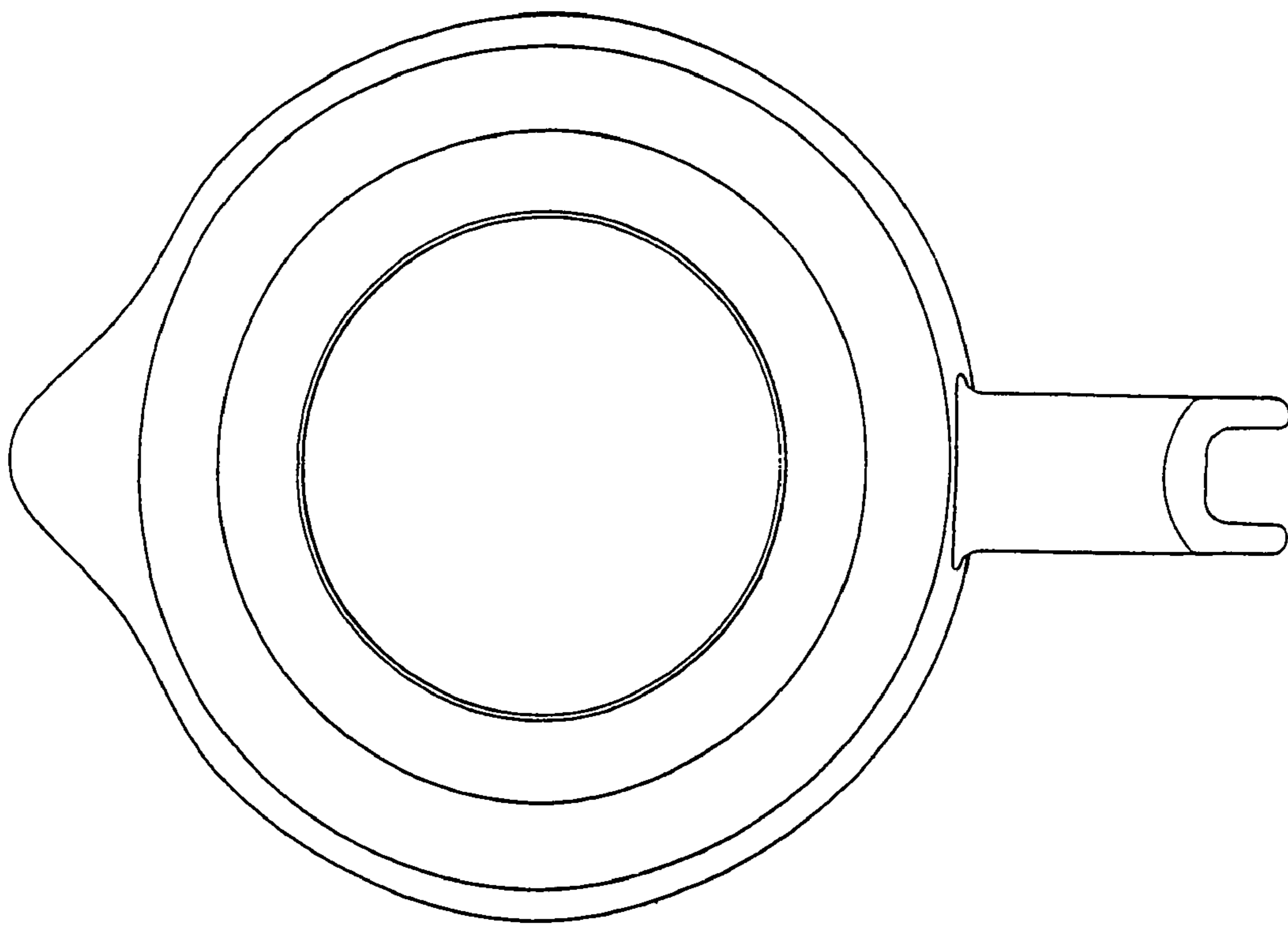


FIG. 6