



US00D551007S

(12) **United States Design Patent**  
**Trinko**

(10) **Patent No.:** **US D551,007 S**

(45) **Date of Patent:** **\*\* Sep. 18, 2007**

(54) **BAG DISPENSER RACK**

2004/0217122 A1 11/2004 Trinko et al.

(75) Inventor: **Dominic Trinko**, Melbourne, FL (US)

\* cited by examiner

(73) Assignee: **Waverly Plastics Company, Inc.**,  
Waverly, IA (US)

*Primary Examiner*—Brian N Vinson  
(74) *Attorney, Agent, or Firm*—McKee, Voorhees & Sease,  
P.L.C.

(\*\*) Term: **14 Years**

(57) **CLAIM**

(21) Appl. No.: **29/240,655**

I claim the ornamental design for a bag dispenser rack, as shown and described.

(22) Filed: **Oct. 17, 2005**

(51) **LOC (8) Cl.** ..... **06-04**

(52) **U.S. Cl.** ..... **D6/566; D6/518**

(58) **Field of Classification Search** ..... D6/518-523,  
D6/566; 211/13.1, 16, 86.01, 87.01; 242/570,  
242/590, 595

See application file for complete search history.

**DESCRIPTION**

FIG. 1 is a front perspective view of my new bag dispenser rack. The dash lines showing the bag dispenser in the racks are for illustrative purposes only, and are not intended to form a portion of the claimed design. The dash line representation of holes in the bottom and end mounting plates is also for illustrative purposes only, and is not intended to form a portion of the claimed design.

(56) **References Cited**

**U.S. PATENT DOCUMENTS**

3,288,416	A *	11/1966	Franklin	.....	242/595
D293,182	S *	12/1987	Carter	.....	D6/518
D298,396	S *	11/1988	Gallego	.....	D6/518
D312,185	S *	11/1990	Prater, Sr.	.....	D6/518
D314,114	S *	1/1991	Steinman	.....	D6/518
D330,479	S *	10/1992	Stevens	.....	D6/518
D340,826	S *	11/1993	Deom	.....	D6/518
D362,779	S *	10/1995	Chen	.....	D6/518
D419,346	S *	1/2000	Monigold	.....	D6/518
6,669,157	B1 *	12/2003	Willin et al.	.....	D6/518
D513,680	S *	1/2006	Snell	.....	D6/523

FIG. 2 is a front perspective view of the bag dispenser rack.

FIG. 3 is a front side elevational view thereof.

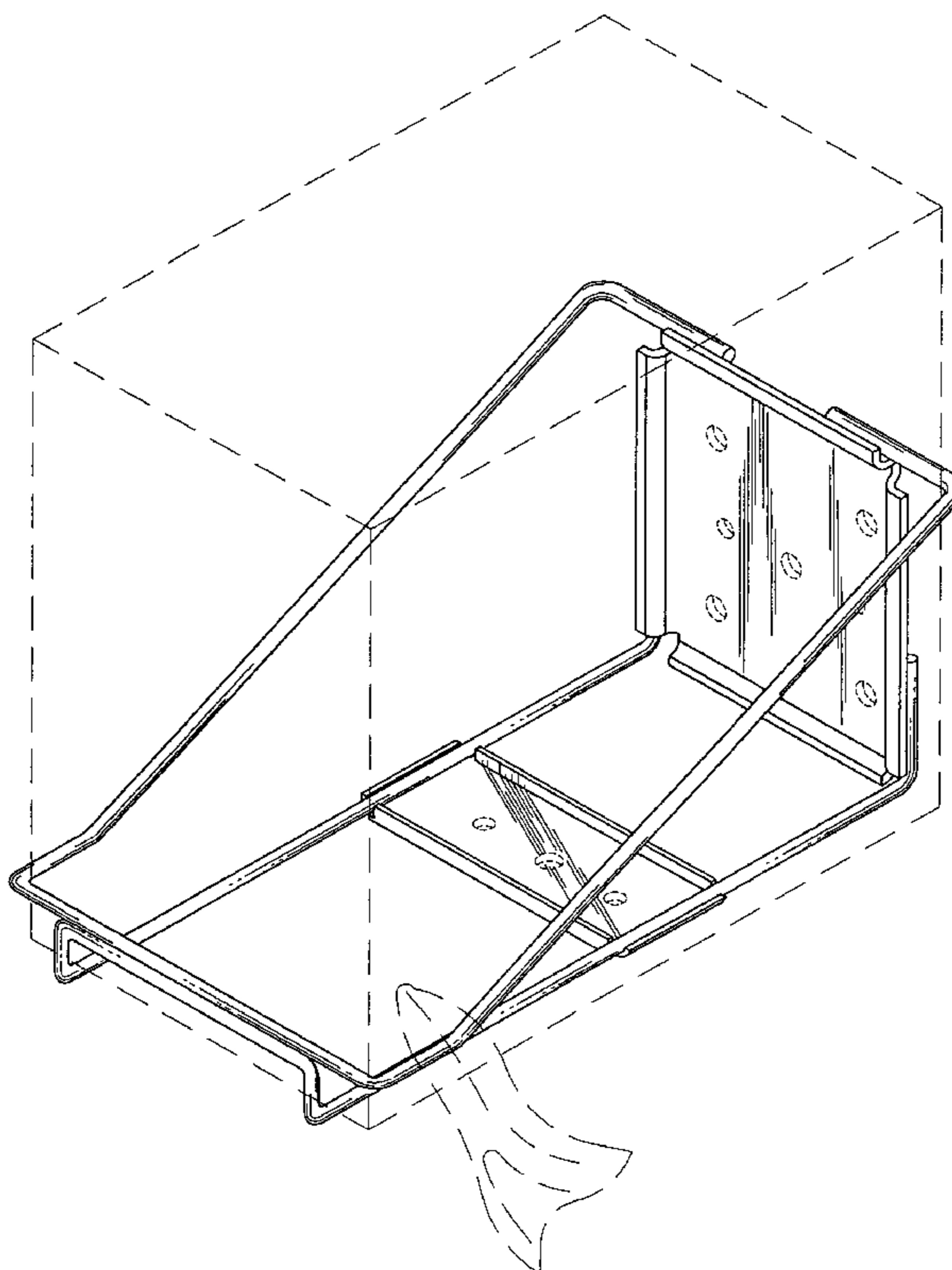
FIG. 4 is a top plan view thereof.

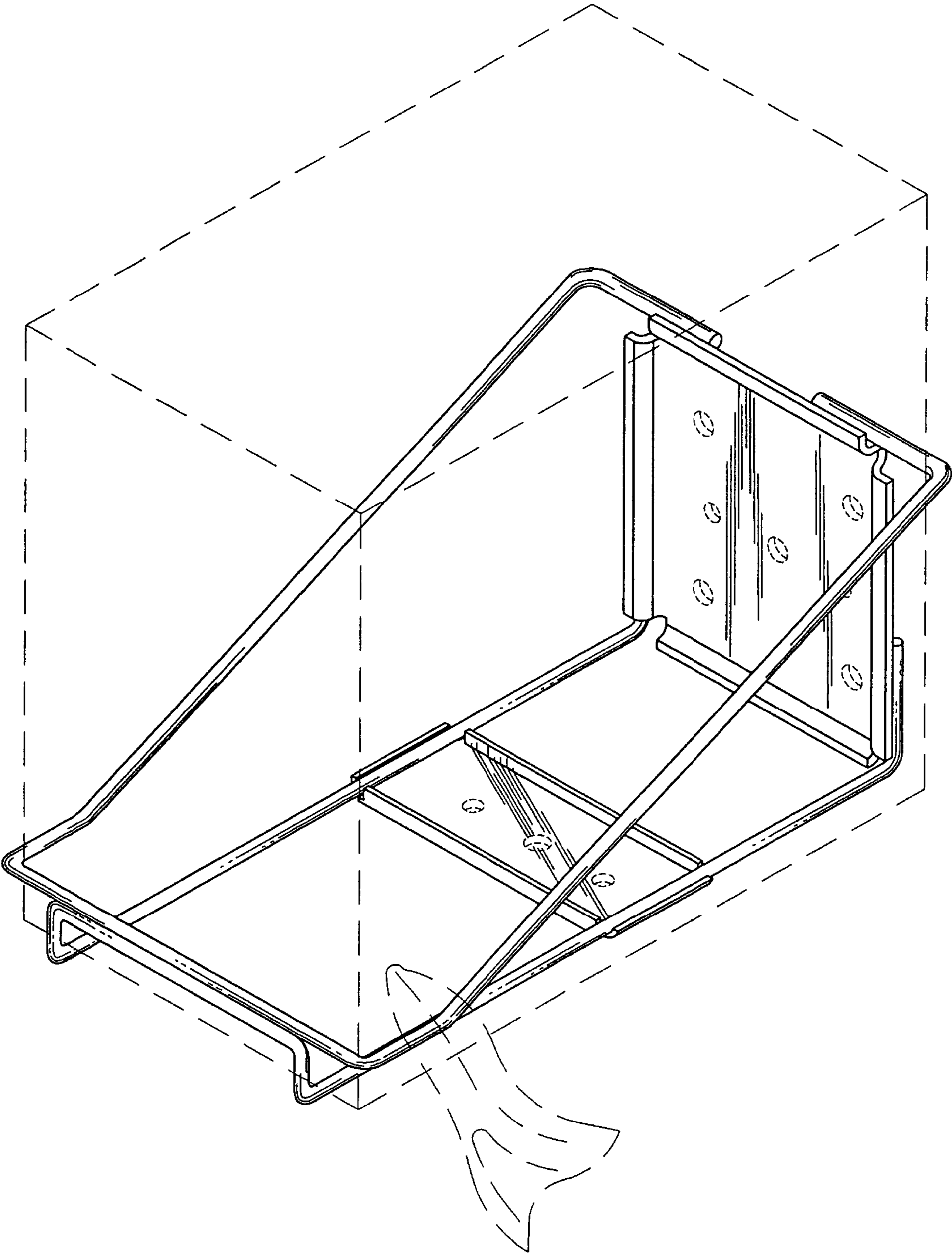
FIG. 5 is a bottom plan view thereof.

FIG. 6 is an end elevational view taken from the right end in FIG. 2; and,

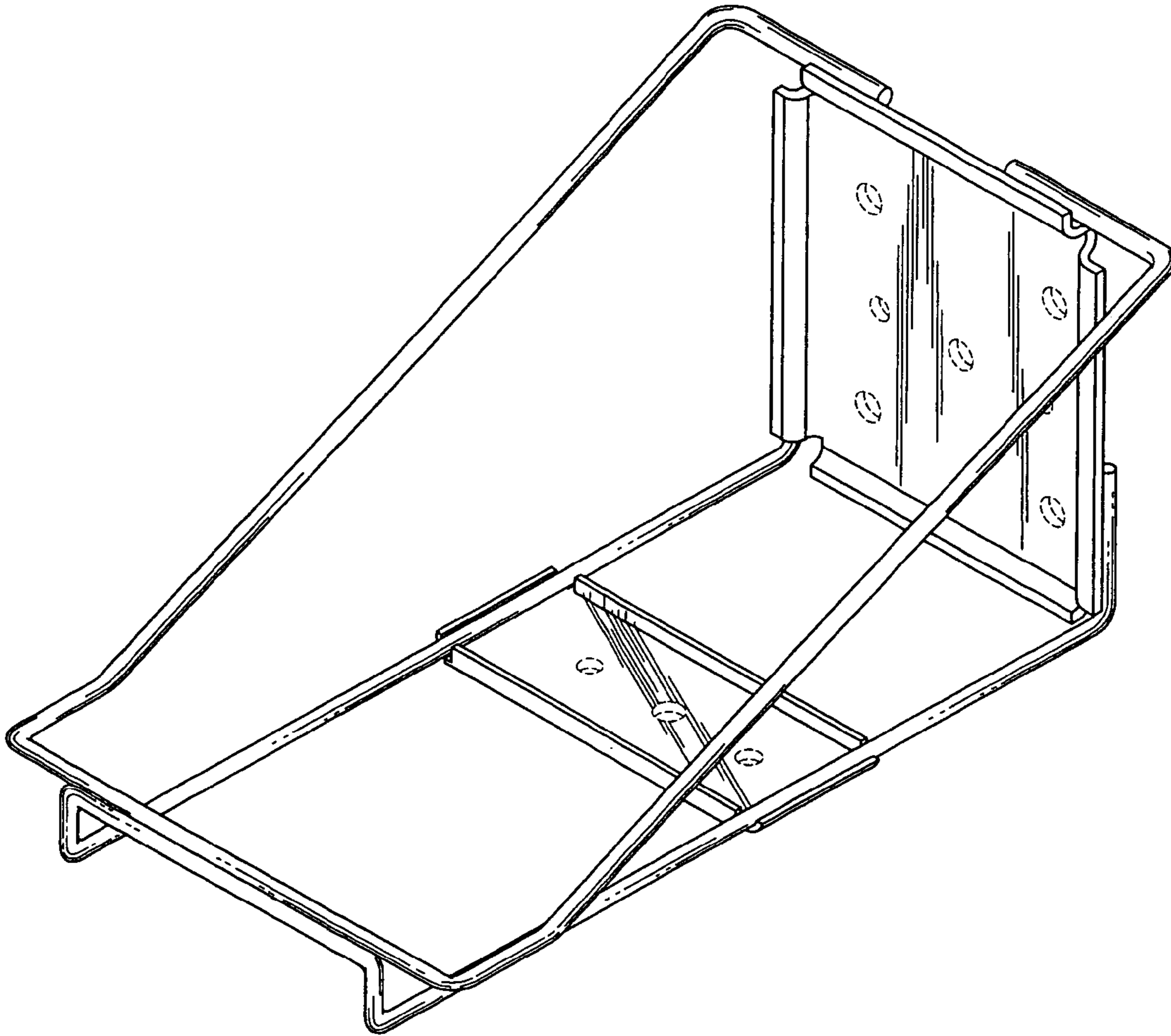
FIG. 7 is an end elevational view taken from the left end in FIG. 2.

**1 Claim, 3 Drawing Sheets**

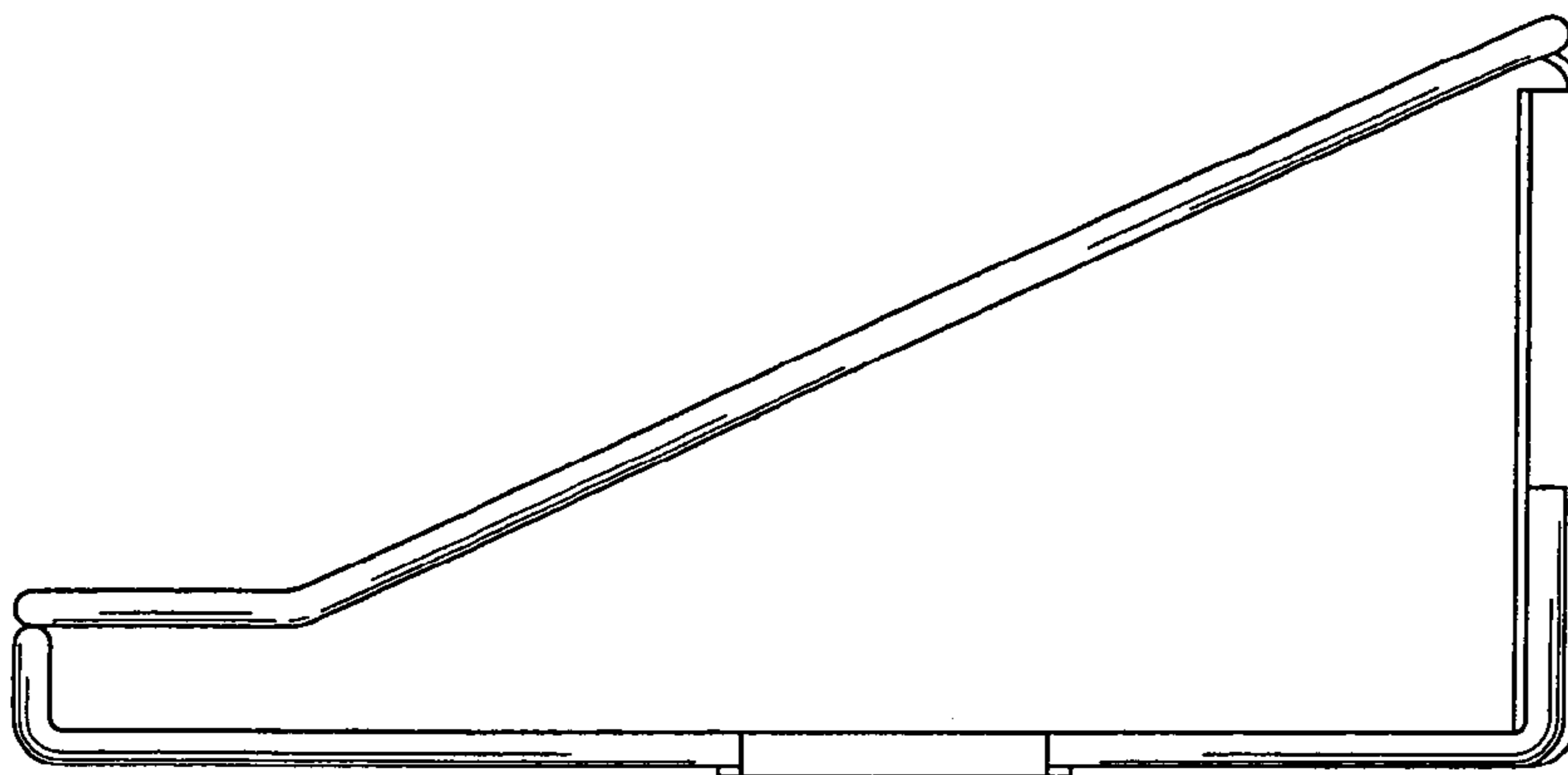




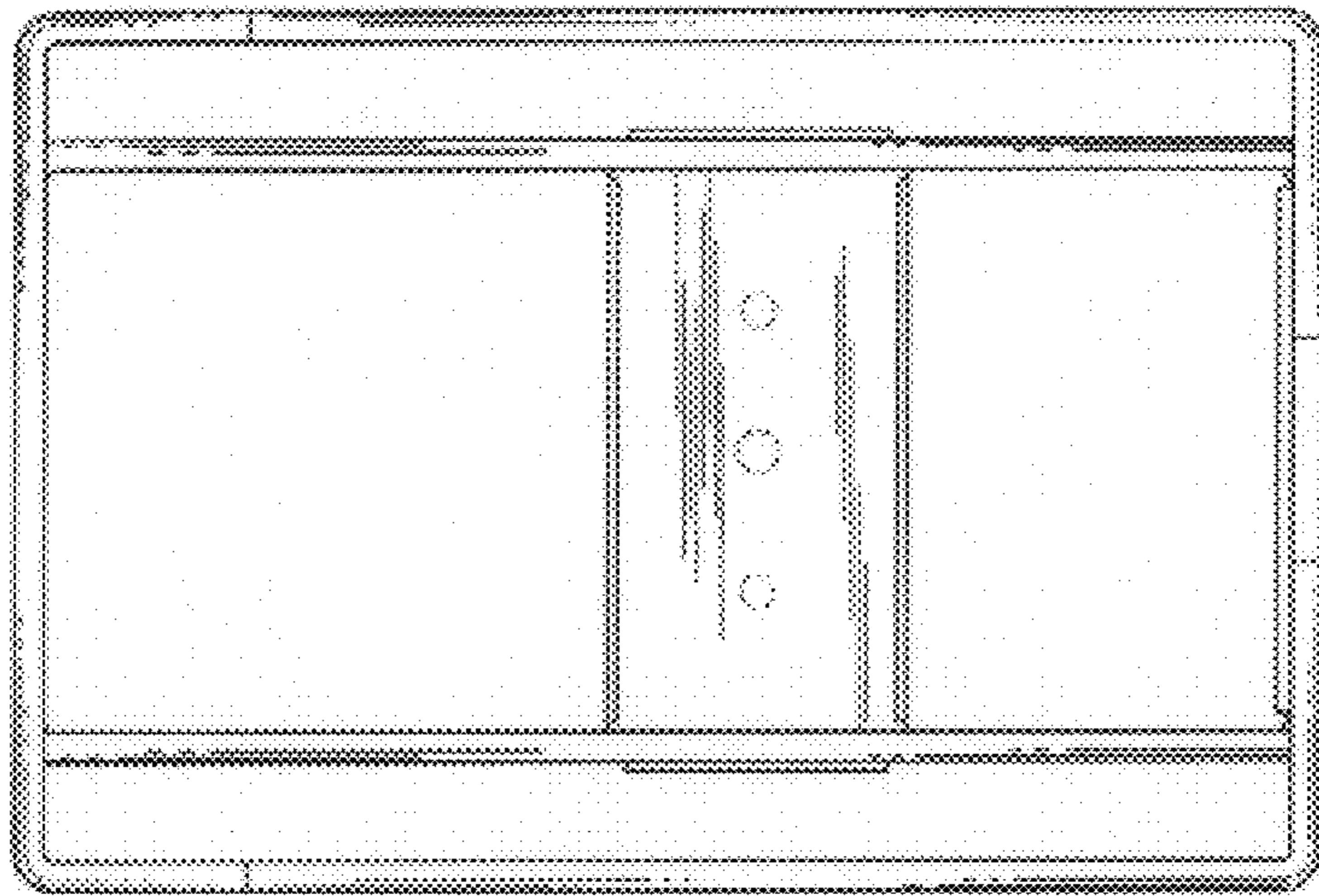
*Fig. 1*



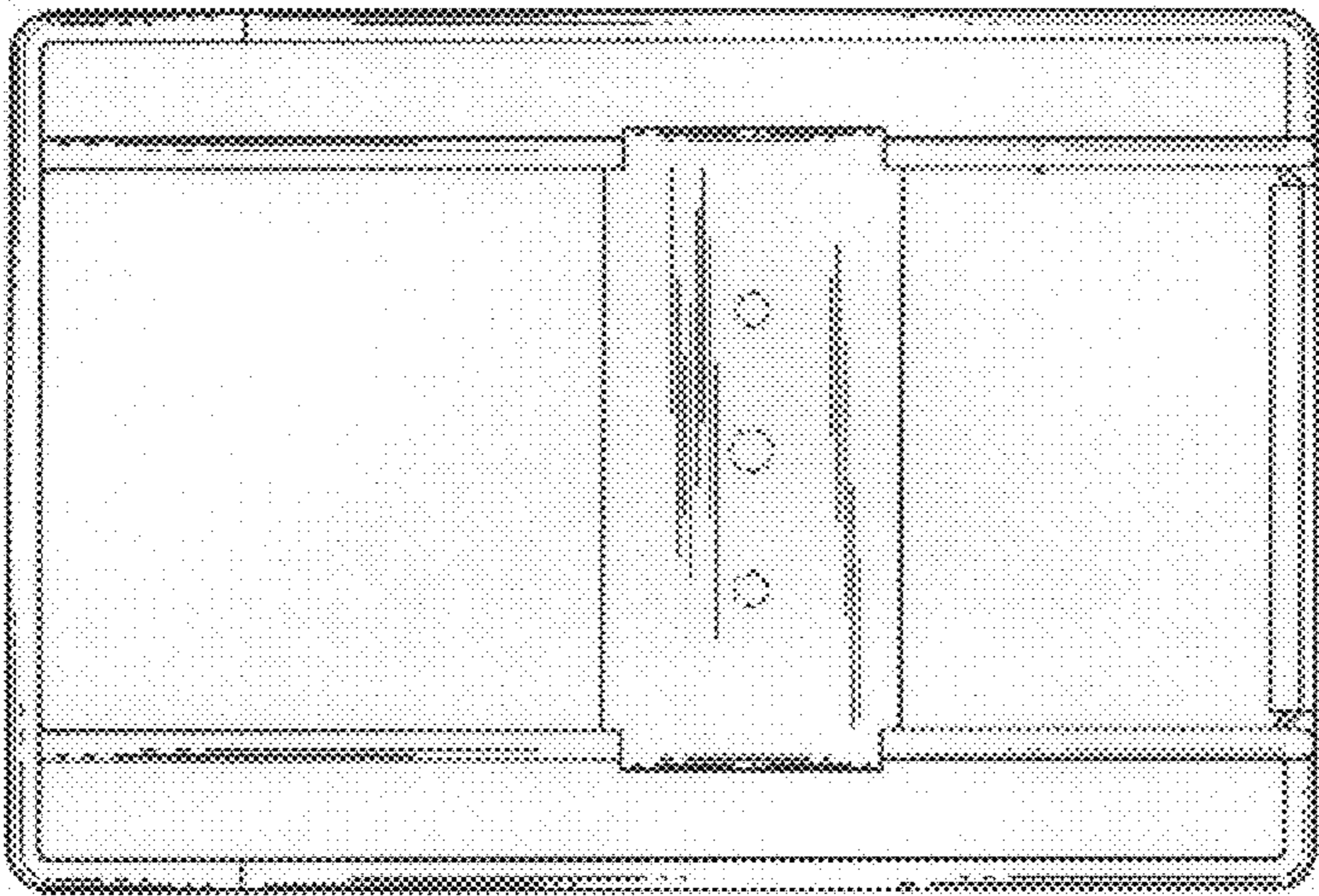
*Fig. 2*



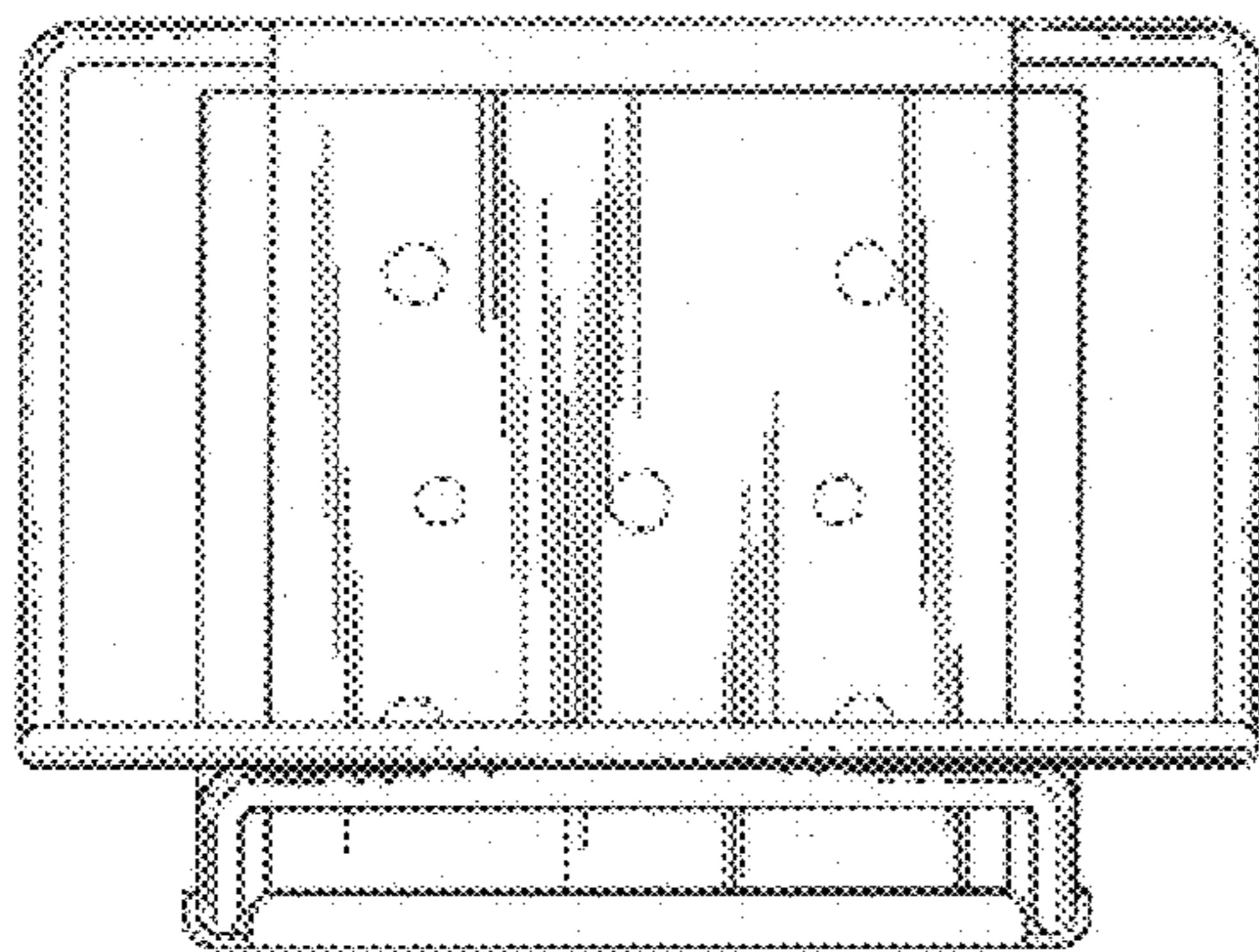
*Fig. 3*



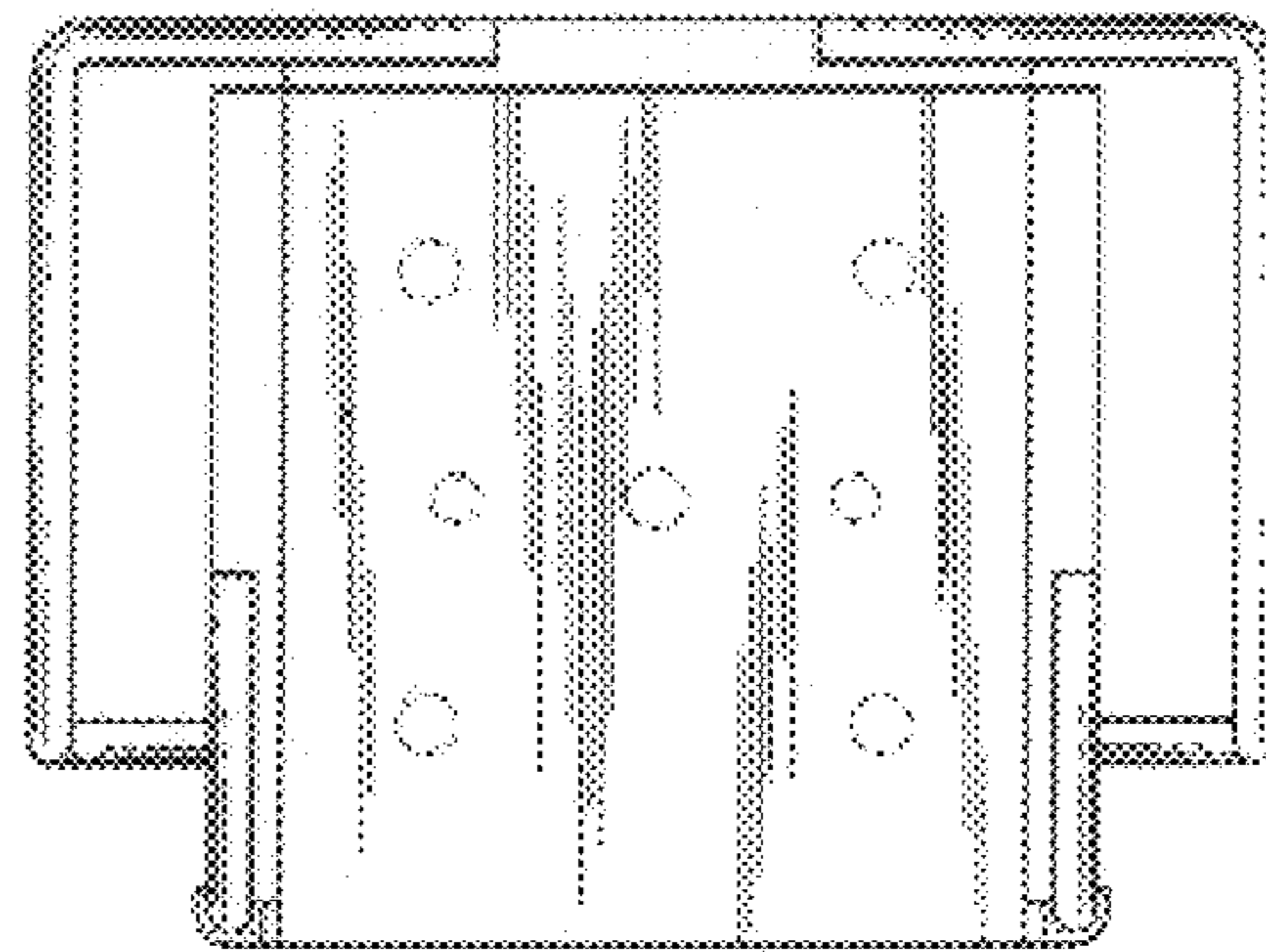
*Fig. 4*



*Fig. 5*



*Fig. 6*



*Fig. 7*