



US00D551006S

(12) **United States Design Patent**  
**Tau**

(10) **Patent No.:** **US D551,006 S**

(45) **Date of Patent:** **\*\* Sep. 18, 2007**

(54) **CORNER STORAGE BASKET**

6,886,792 B2 \* 5/2005 Immerman ..... 211/87.01  
D509,361 S \* 9/2005 Suero, Jr. .... D3/304

(75) Inventor: **Michael Scott Tau**, Charlotte, NC (US)

\* cited by examiner

(73) Assignee: **Brasstech, Inc.**, Santa Ana, CA (US)

*Primary Examiner*—Brian N Vinson

(\*\*) Term: **14 Years**

(74) *Attorney, Agent, or Firm*—Edgar A. Zarins; Lloyd D. Doigan

(21) Appl. No.: **29/248,362**

(57) **CLAIM**

(22) Filed: **Aug. 11, 2006**

The ornamental design for a corner storage basket, as shown and described.

(51) **LOC (8) Cl.** ..... **06-04**

(52) **U.S. Cl.** ..... **D6/562; D6/566**

(58) **Field of Classification Search** ..... D6/524–525,  
D6/562, 566, 536, 540; D3/304–315; 206/77.1,  
206/207, 557; 211/13.1, 10, 71.01, 86.01,  
211/87.01, 88.01, 90.01, 181.1, 126.1  
See application file for complete search history.

**DESCRIPTION**

FIG. 1 is a front perspective view of a corner storage basket showing my design;

FIG. 2 is a top plan view thereof;

FIG. 3 is a right side elevational view thereof;

FIG. 4 is a left side elevational view thereof;

FIG. 5 is a rear elevational view thereof; and,

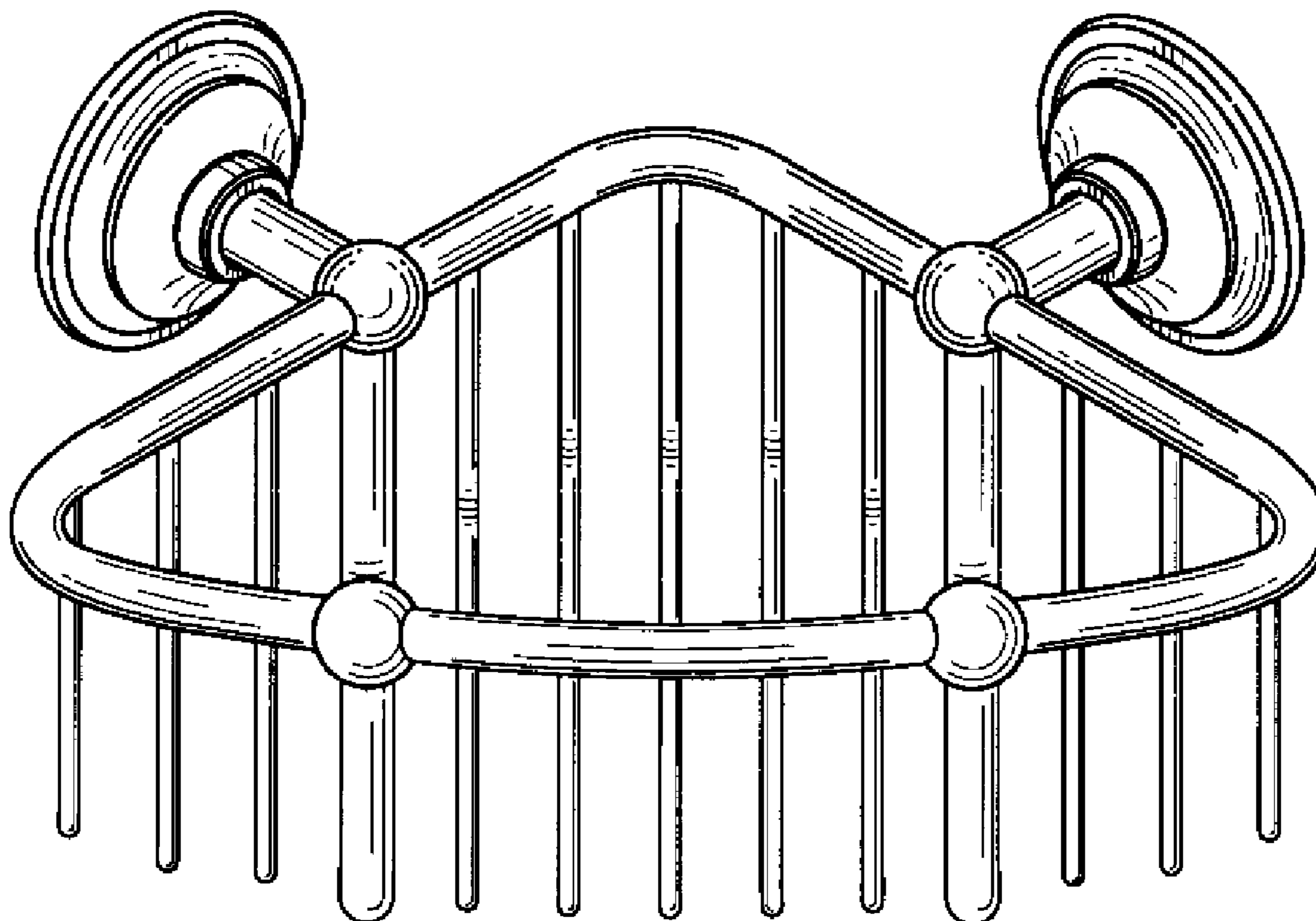
FIG. 6 is a bottom plan view thereof.

(56) **References Cited**

**U.S. PATENT DOCUMENTS**

D479,421 S \* 9/2003 Snell ..... D6/525  
D483,586 S \* 12/2003 Snell ..... D6/525

**1 Claim, 6 Drawing Sheets**



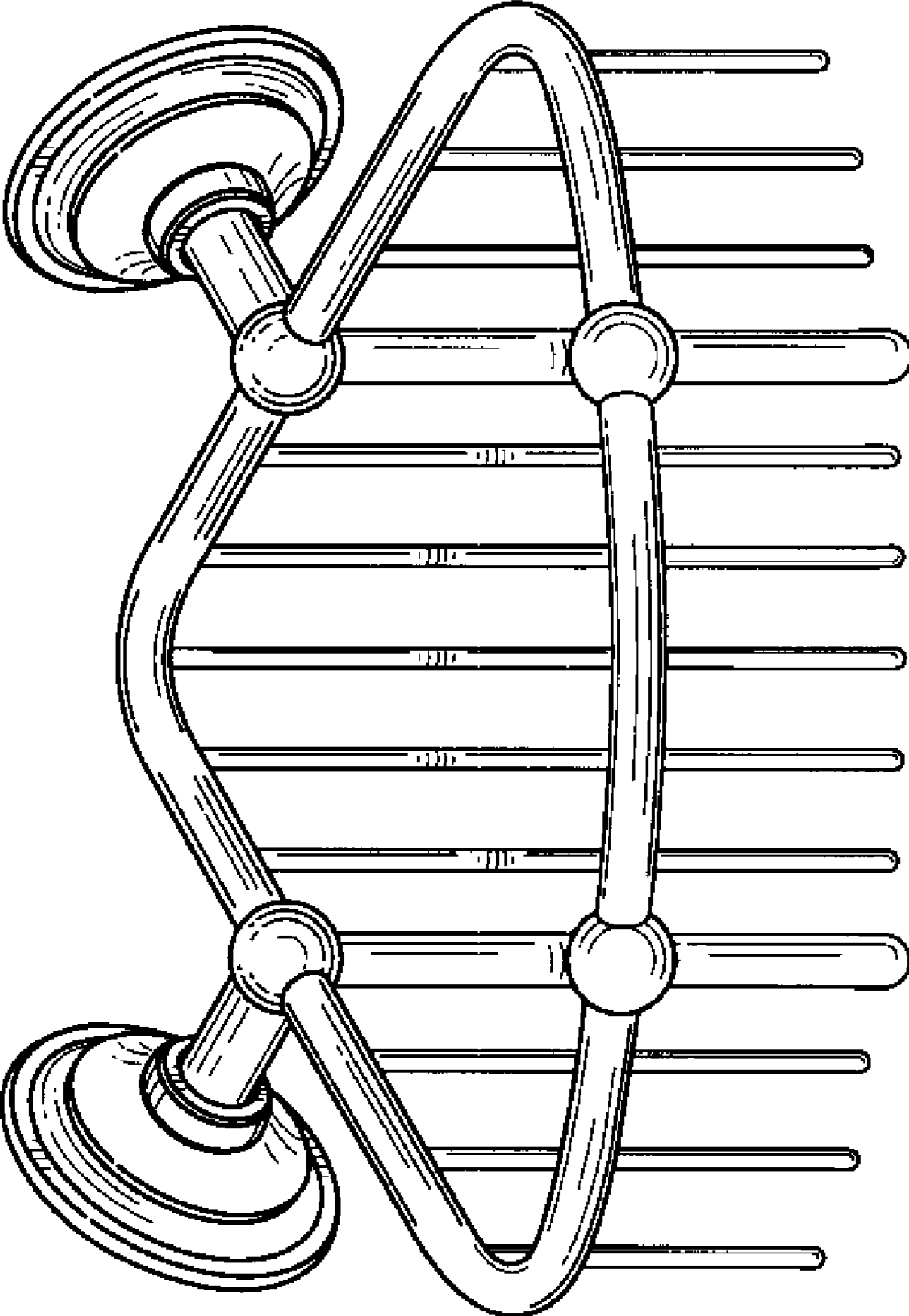


FIG. 1

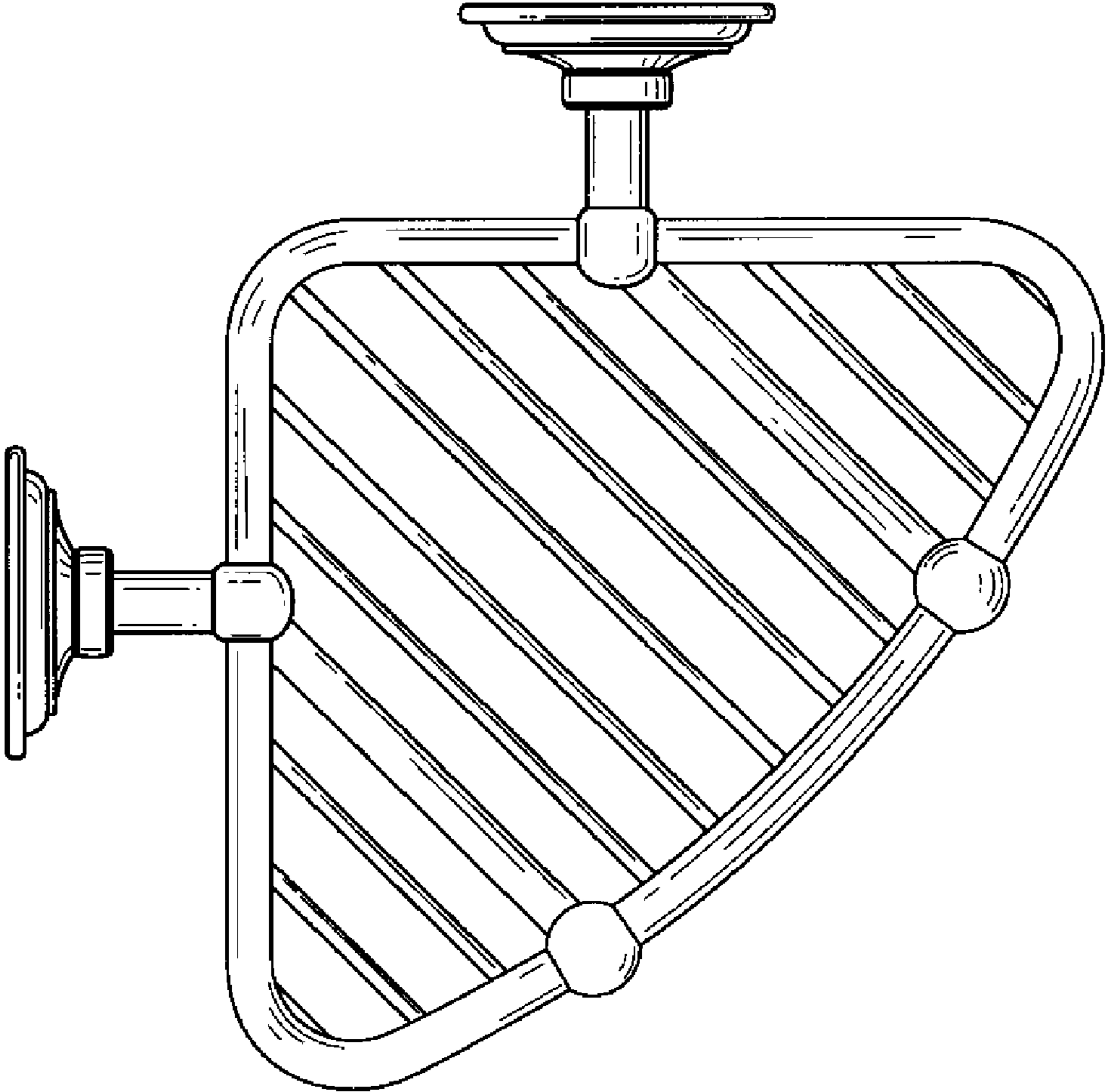
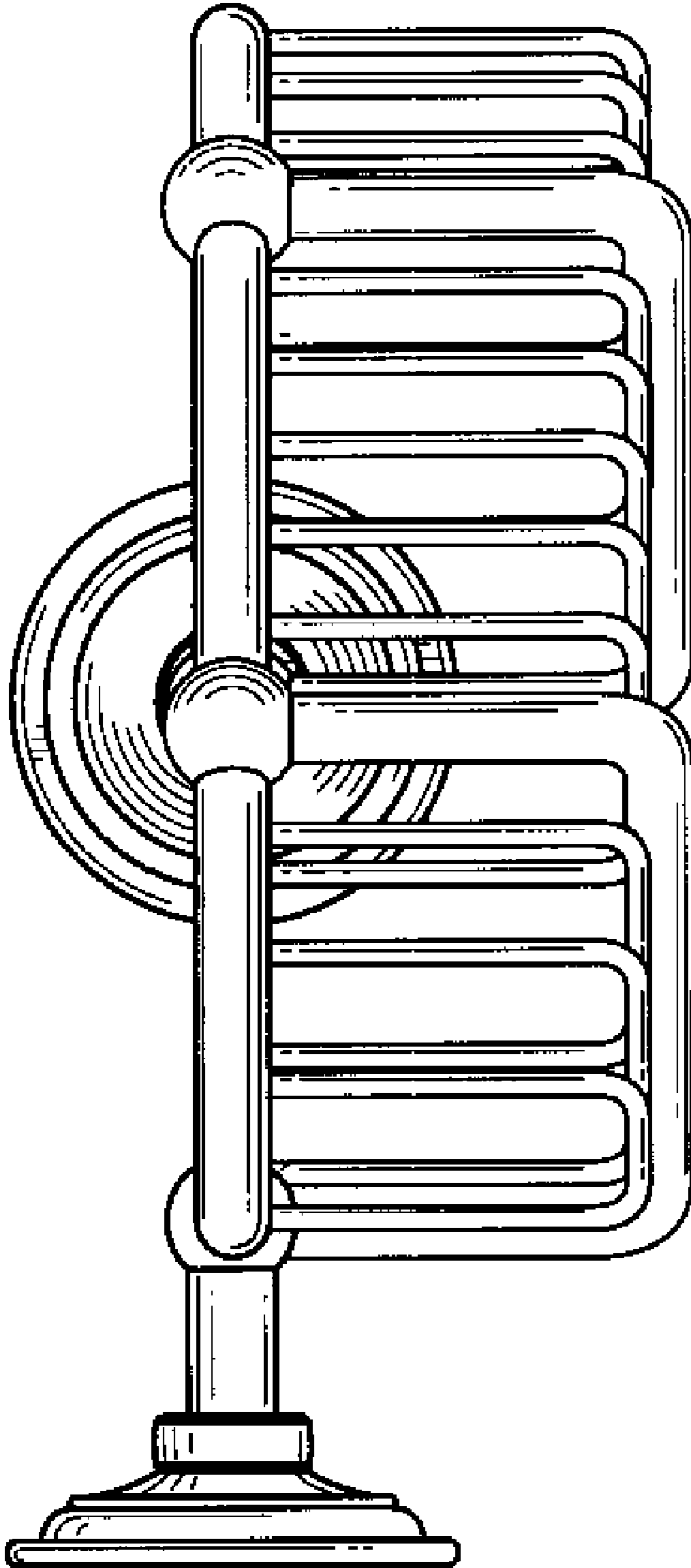
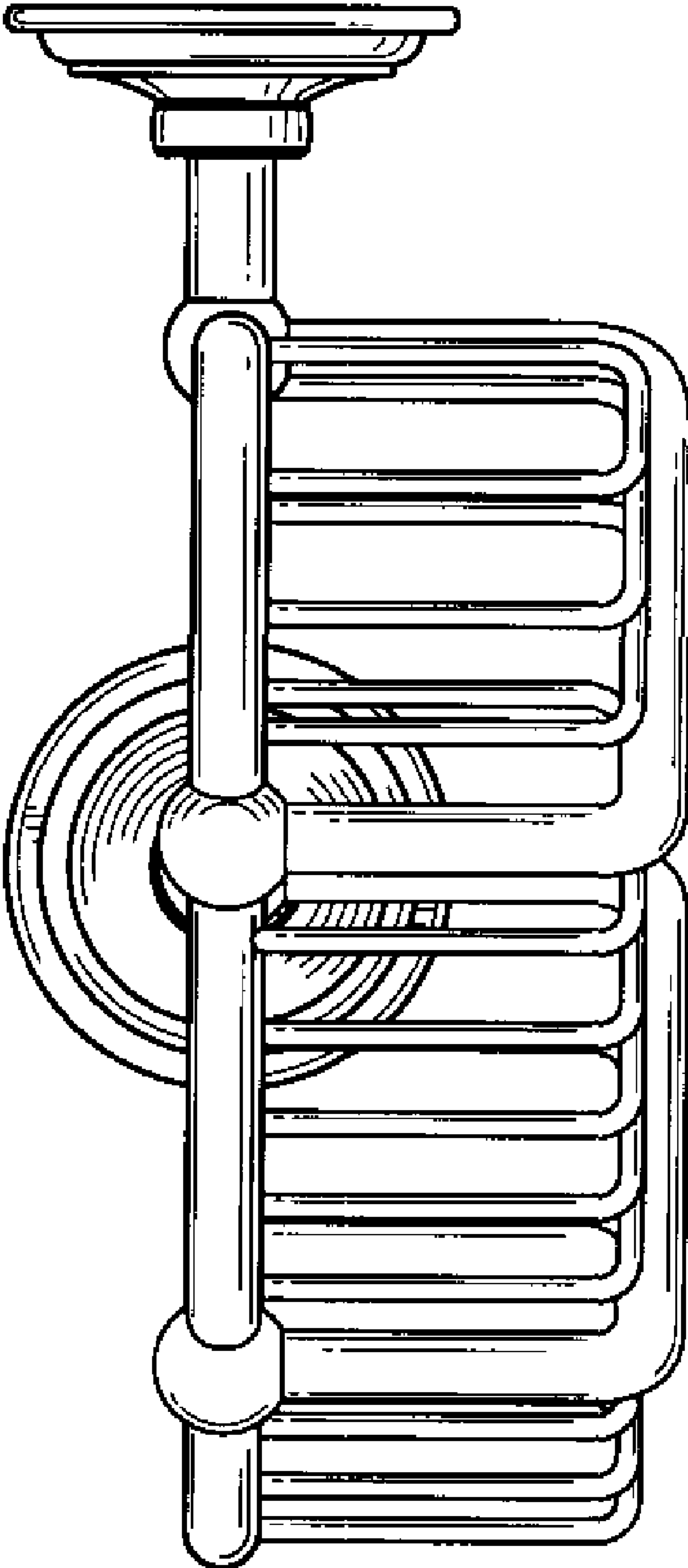


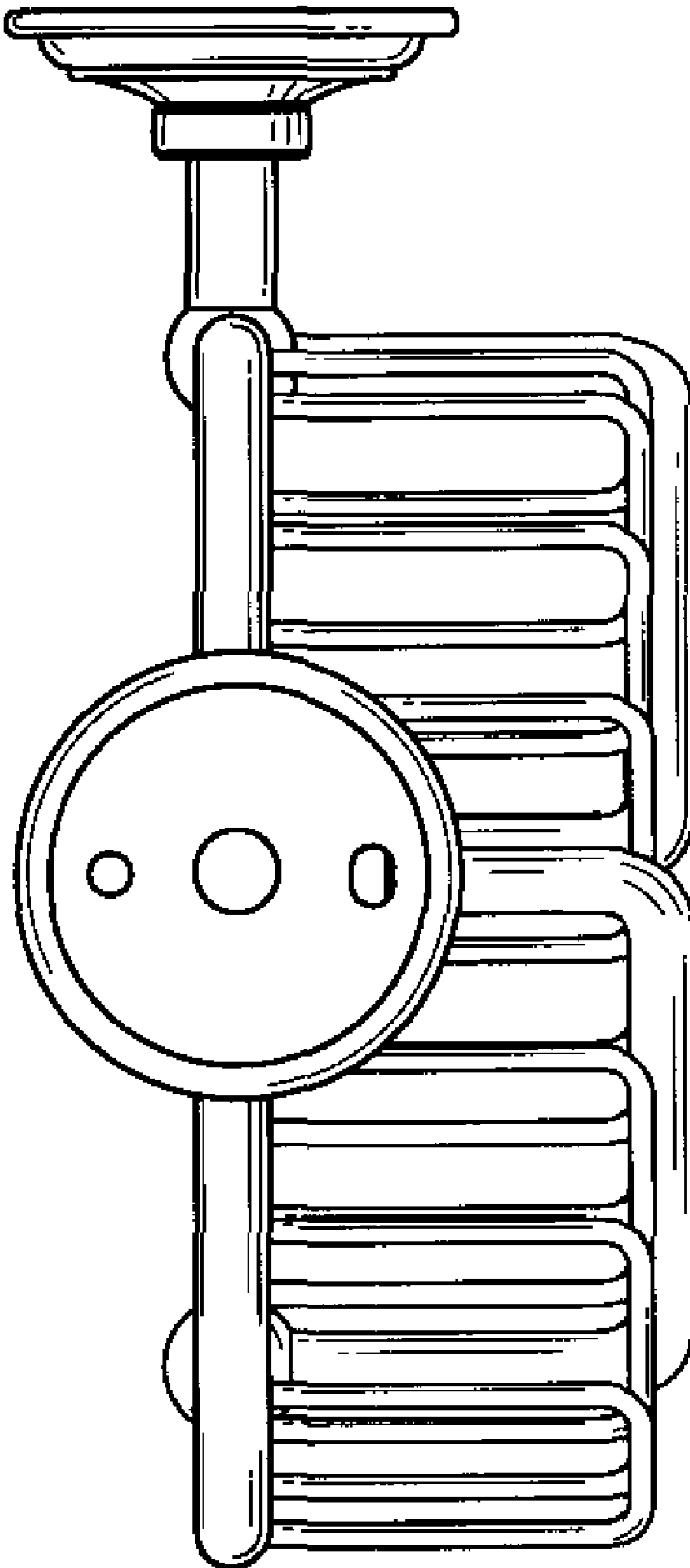
FIG. 2



**FIG. 3**



**FIG. 4**



**FIG. 5**

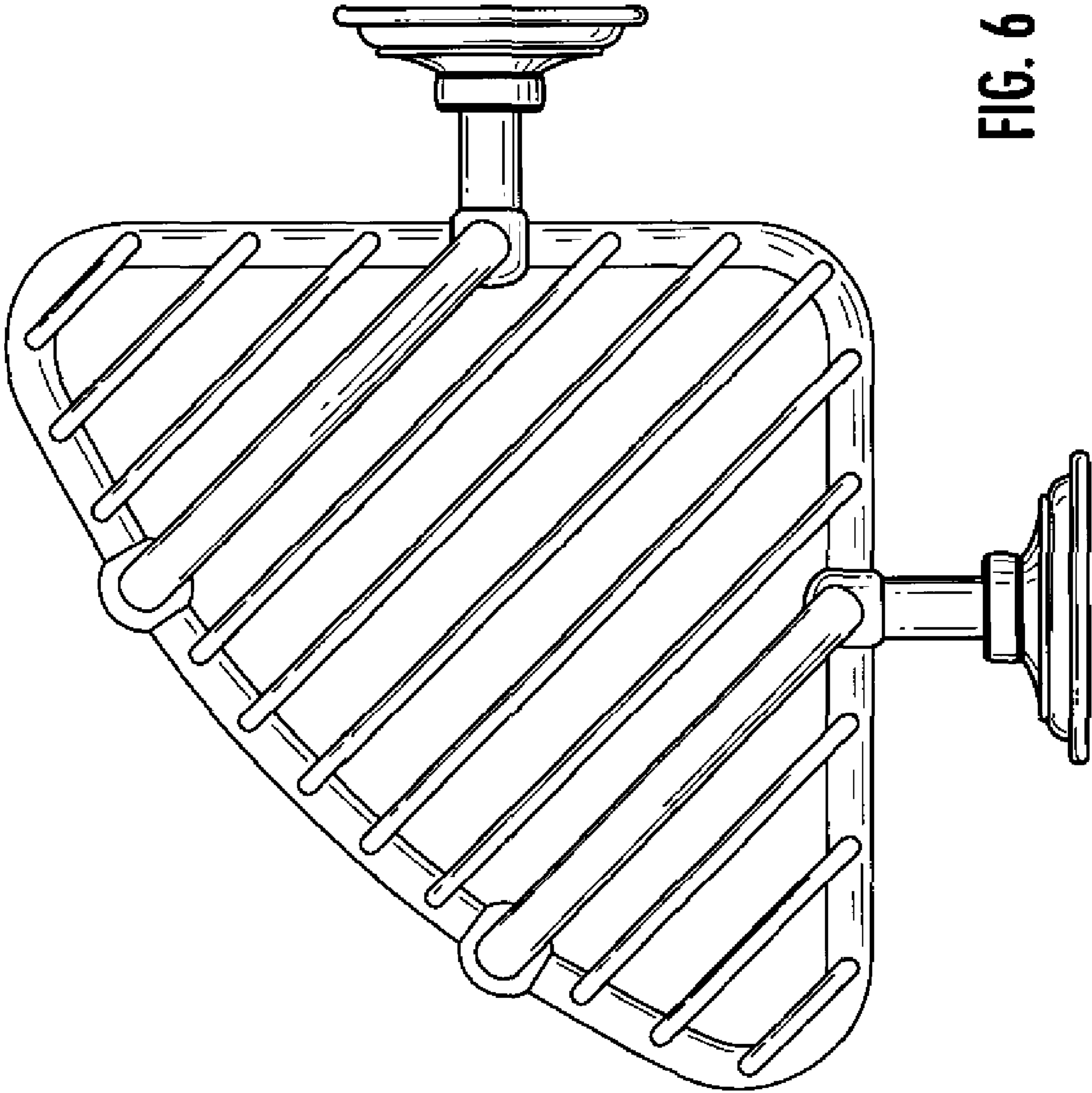


FIG. 6