



US00D551004S

(12) **United States Design Patent**
Riser

(10) **Patent No.:** **US D551,004 S**

(45) **Date of Patent:** **** Sep. 18, 2007**

(54) **RACK FOR SKIS**

5,860,536 A * 1/1999 Rotzien 211/70.5

(75) Inventor: **Georg Riser**, Boeckten (CH)

* cited by examiner

(73) Assignee: **CWA Construction S.A.**, Olten (CH)

Primary Examiner—Philip S. Hyder

(74) *Attorney, Agent, or Firm*—Abel, Frayne & Schwab

(**) Term: **14 Years**

(21) Appl. No.: **29/228,531**

(57) **CLAIM**

(22) Filed: **Apr. 25, 2005**

The ornamental design for a rack for skis, as shown and described.

(30) **Foreign Application Priority Data**

DESCRIPTION

Oct. 25, 2004 (CH) 131252

(51) **LOC (8) Cl.** **06-04**

(52) **U.S. Cl.** **D6/552**

(58) **Field of Classification Search** D3/254,
D3/261; D6/552; D21/771; 211/70.5, 85.7,
211/88.01; 206/315.1

See application file for complete search history.

FIG. 1 shows a perspective view of a rack for skis according to my new design;

FIG. 2 shows a left-hand view of the rack for skis shown in FIG. 1;

FIG. 3 show a front view of the rack for skis shown in FIG. 1;

FIG. 4 shows a right-hand view of the rack for skis shown in FIG. 1;

FIG. 5 shows a rear view of the rack for skis shown in FIG. 1;

FIG. 6 shows a top view of the rack for skis shown in FIG. 1; and,

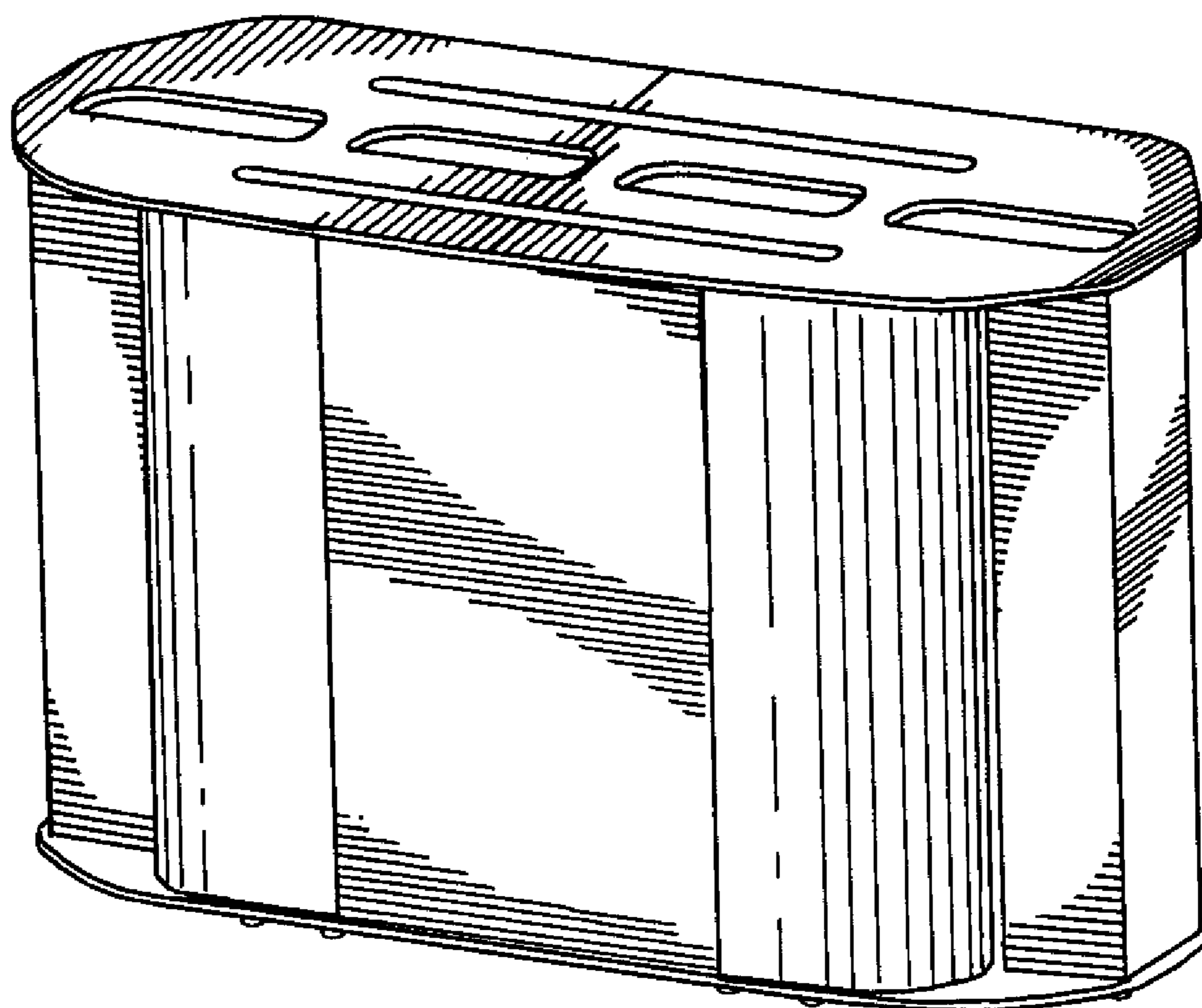
FIG. 7 shows a bottom view of the rack for skis shown in FIG. 1.

(56) **References Cited**

U.S. PATENT DOCUMENTS

| | | | | |
|---------------|---------|--------------|-------|----------|
| 3,905,481 A * | 9/1975 | Laterra | | 211/70.5 |
| 4,621,737 A * | 11/1986 | Casey | | 211/70.5 |
| 4,678,087 A * | 7/1987 | York | | 211/70.5 |
| D294,790 S * | 3/1988 | York | | D6/552 |
| D304,984 S * | 12/1989 | French | | D6/552 |
| D386,030 S * | 11/1997 | York | | D6/552 |
| D404,226 S * | 1/1999 | Hsiao et al. | | D6/552 |

1 Claim, 3 Drawing Sheets



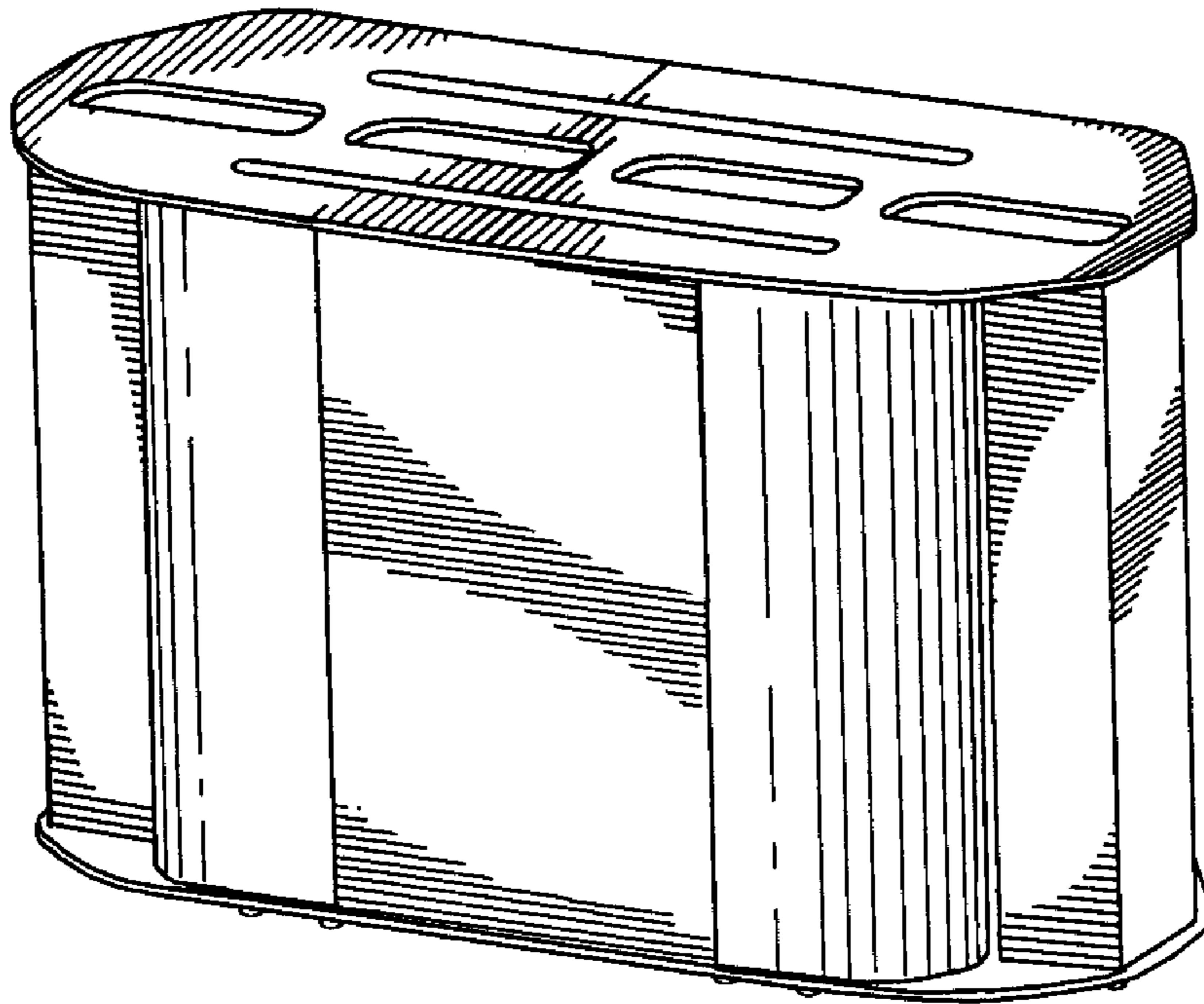


FIG. 1

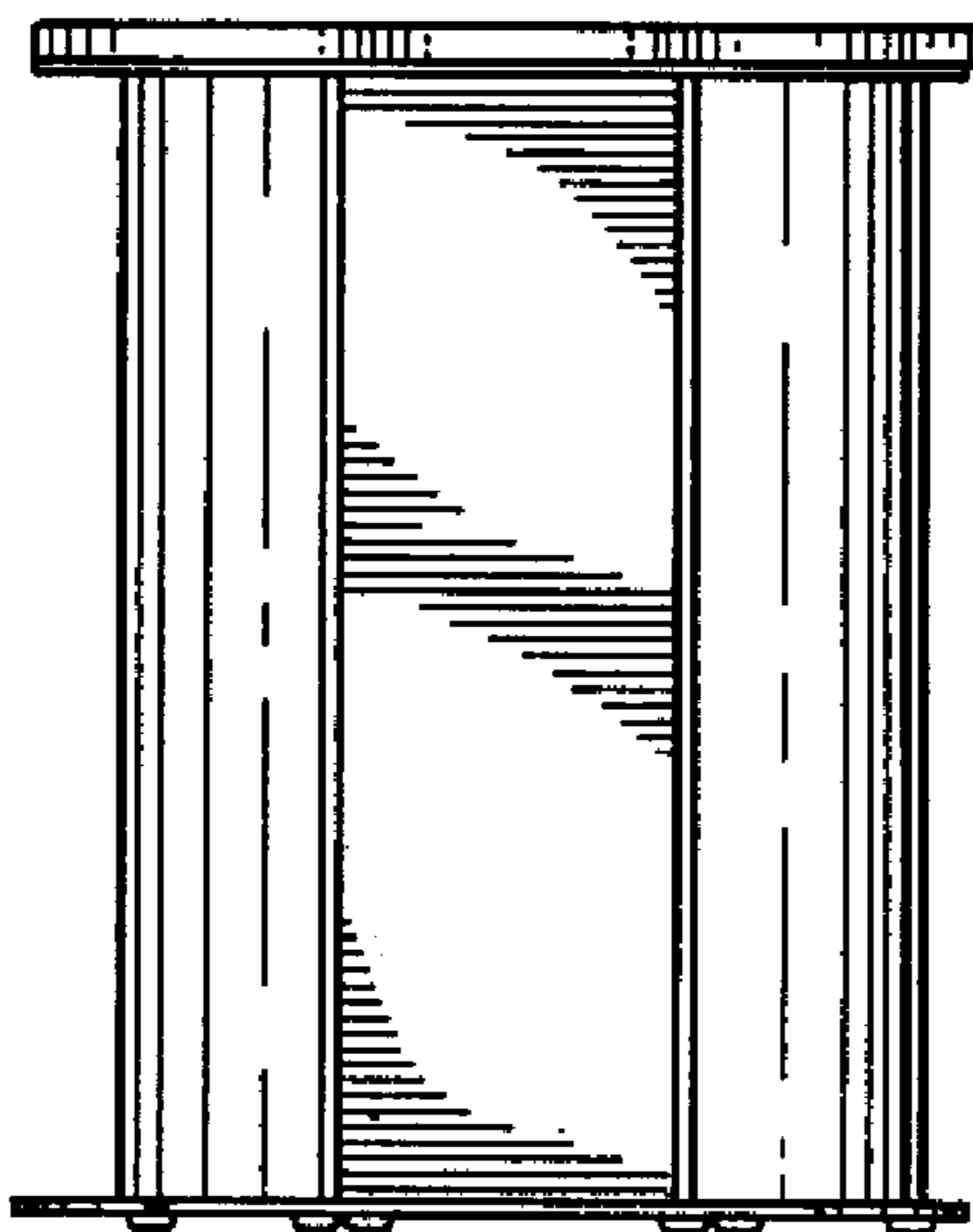


FIG. 2

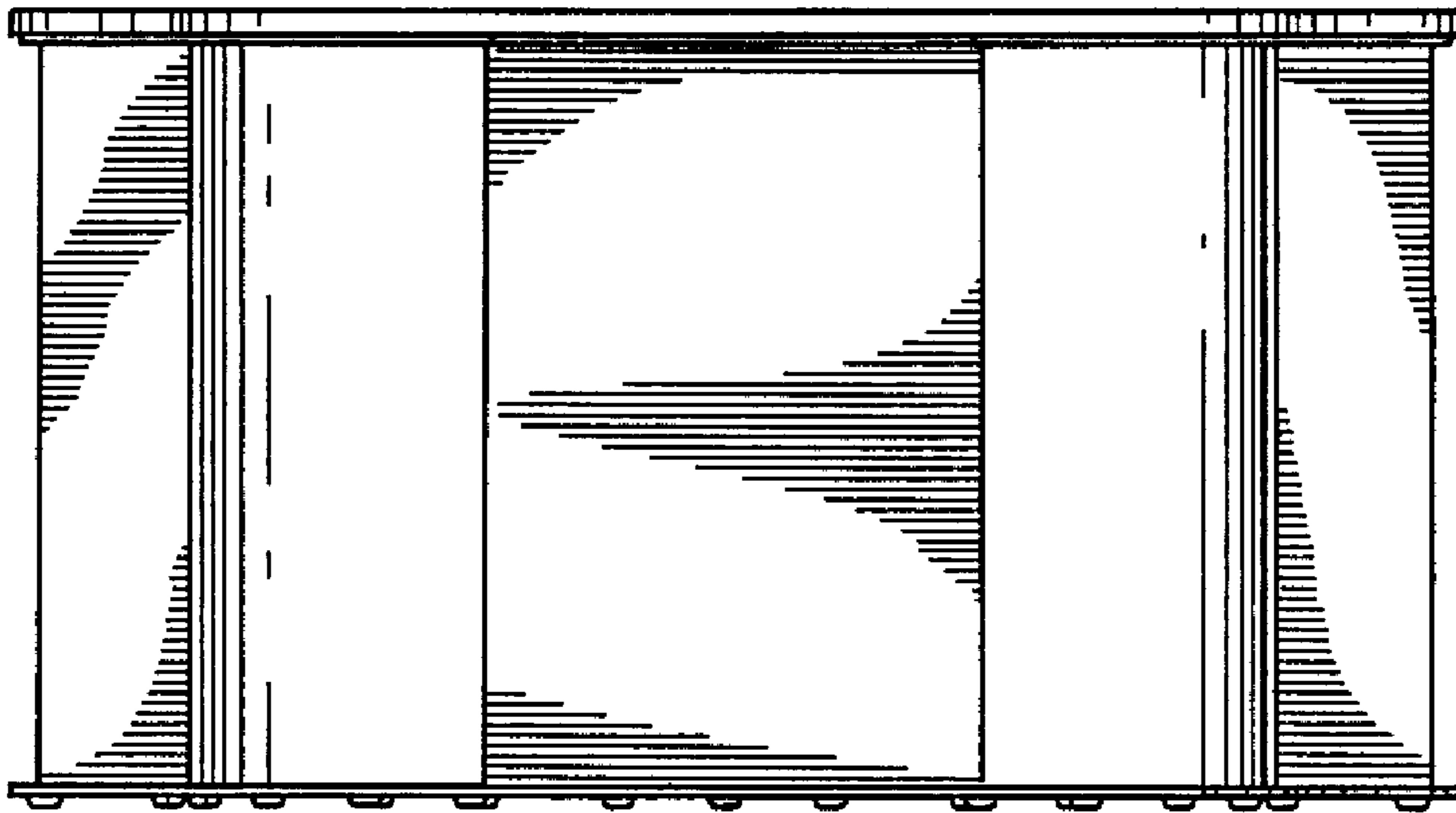


FIG. 3

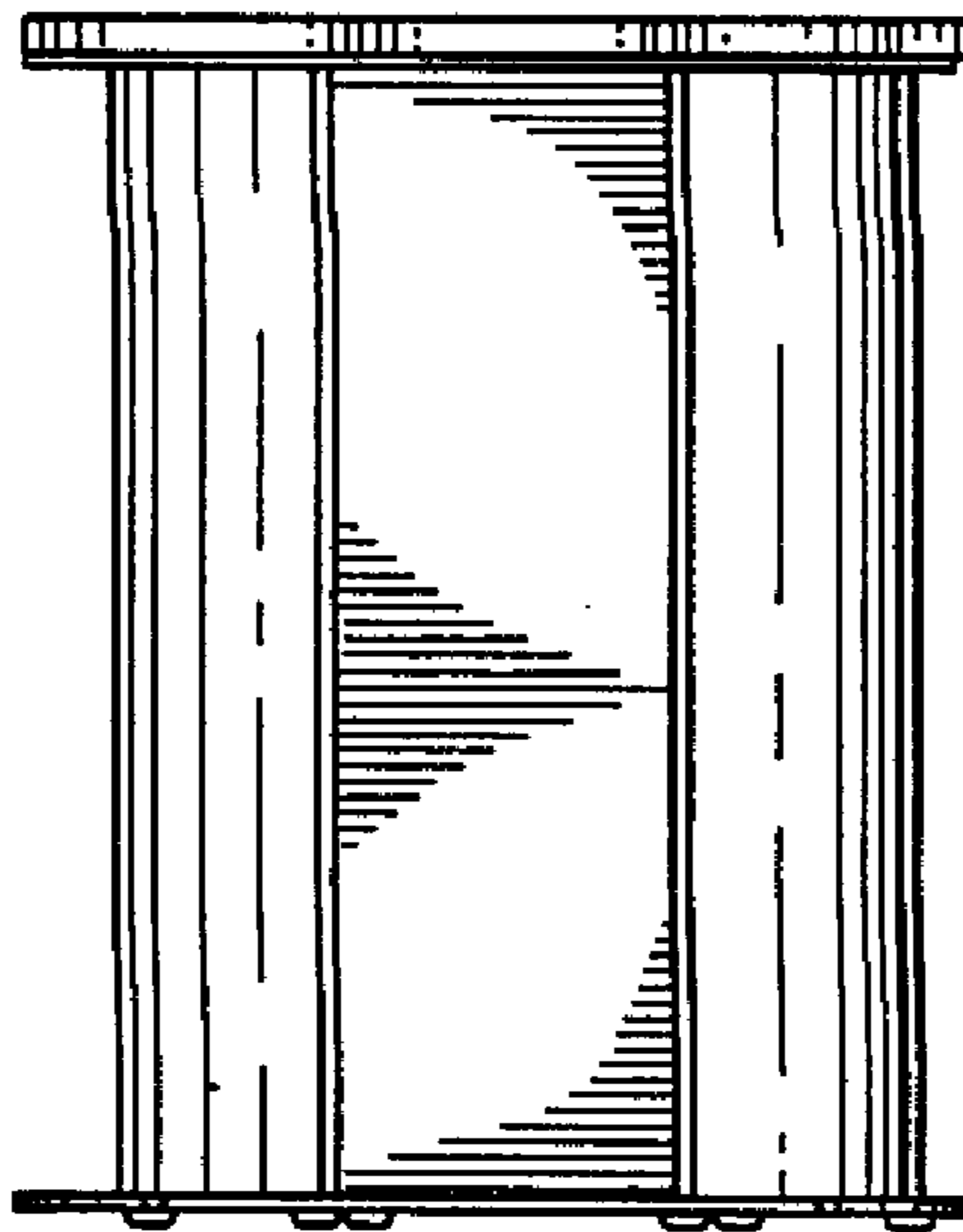


FIG. 4

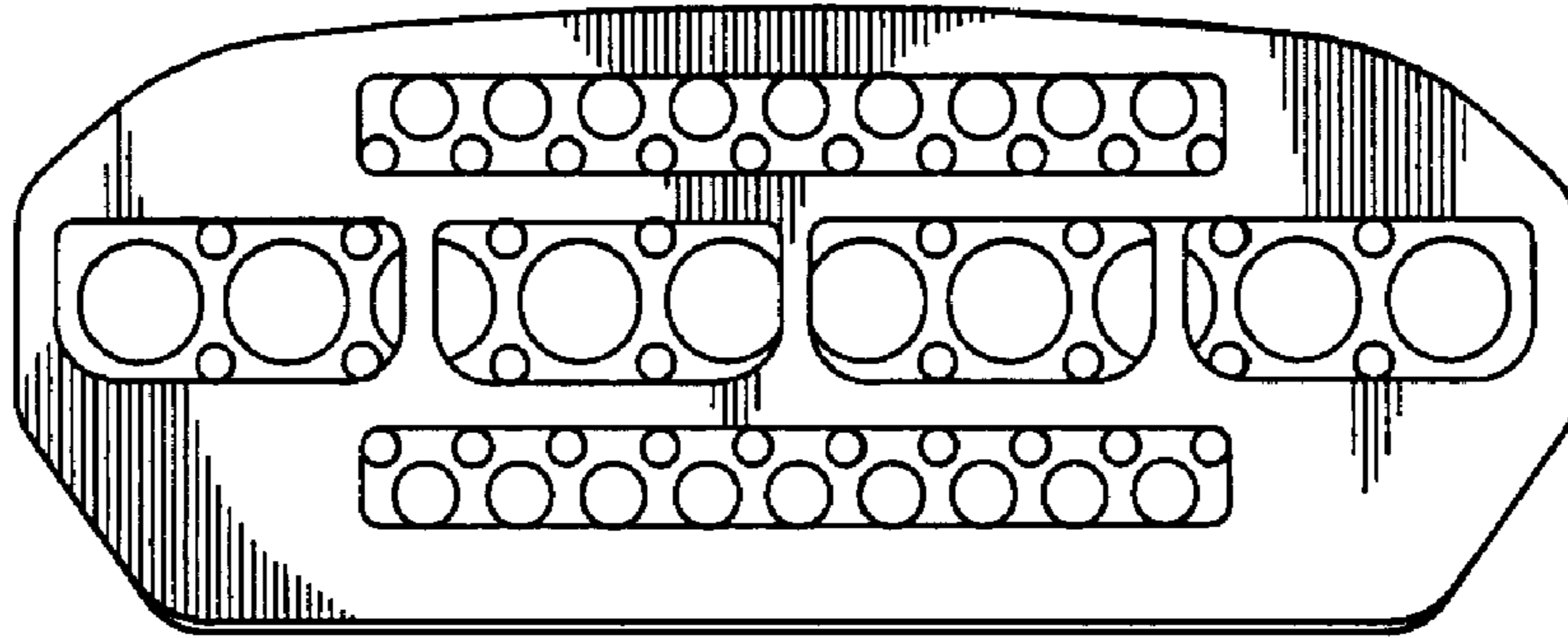


FIG. 5

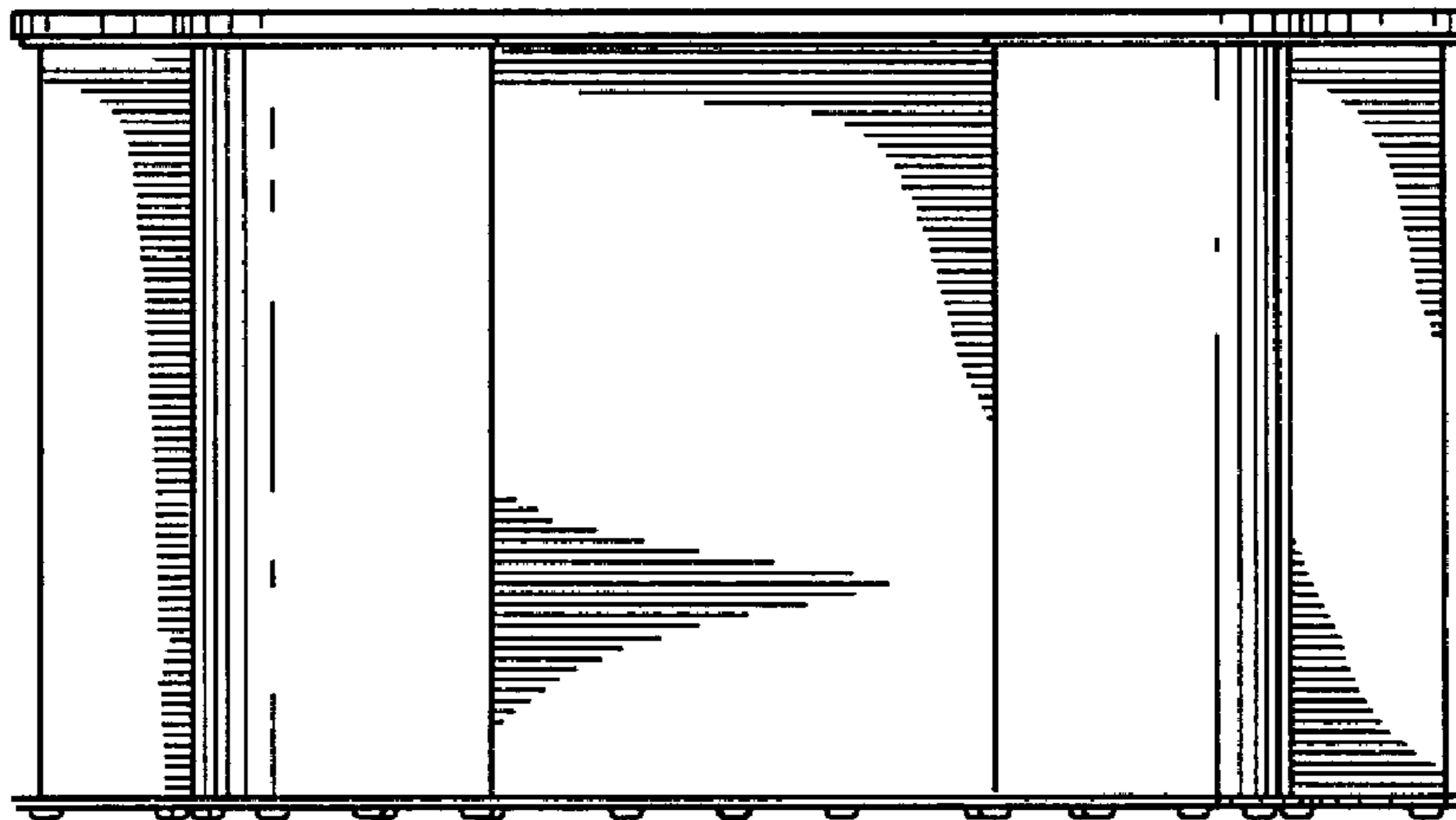


FIG. 6

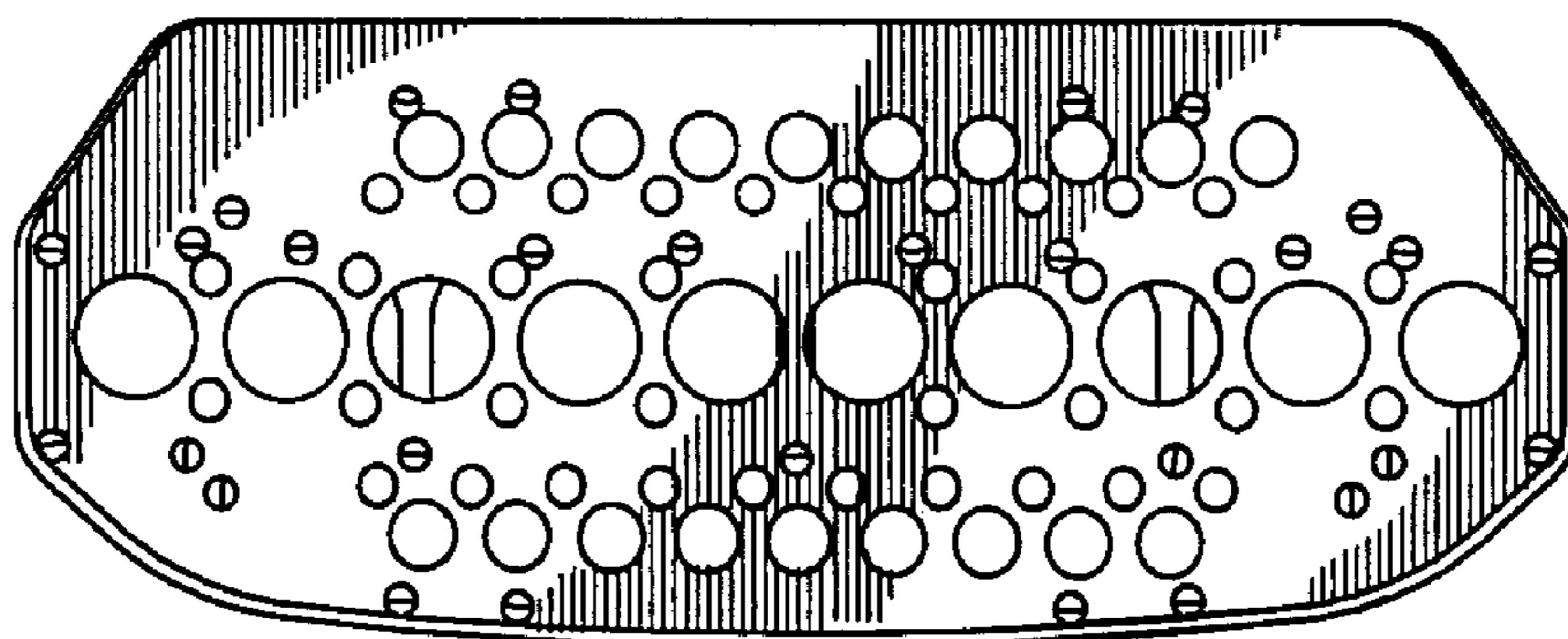


FIG. 7