



US00D551003S

(12) **United States Design Patent**
Leonard et al.

(10) **Patent No.:** **US D551,003 S**
(45) **Date of Patent:** **** Sep. 18, 2007**

(54) **HEATER UNIT**

(75) Inventors: **Stephen B. Leonard**, Franksville, WI (US); **Greg Holderfield**, Oak Park, IL (US); **Lauren M. Rathmann**, Grayslake, IL (US)

(73) Assignee: **S.C. Johnson & Son, Inc.**, Racine, WI (US)

(**) Term: **14 Years**

(21) Appl. No.: **29/257,984**

(22) Filed: **Apr. 13, 2006**

(51) **LOC (8) Cl.** **23-02**

(52) **U.S. Cl.** **D6/543**

(58) **Field of Classification Search** D6/542-543;
222/14, 649, 92, 105, 146.1, 146.2, 146.3,
222/146.5

See application file for complete search history.

(56) **References Cited**

U.S. PATENT DOCUMENTS

D234,483 S *	3/1975	Schick	D6/543
D241,202 S *	8/1976	Farmon	D6/543
D241,592 S *	9/1976	Trumball	D6/543
D316,675 S	5/1991	Cramer		
6,056,160 A *	5/2000	Carlucci et al.	222/146.3
D426,413 S *	6/2000	Kreitemier et al.	D6/543
D456,654 S *	5/2002	Kunesh et al.	D6/543
D456,655 S *	5/2002	Ohta et al.	D6/543
6,415,957 B1 *	7/2002	Michaels et al.	222/146.3

* cited by examiner

Primary Examiner—Brian N Vinson

(57) **CLAIM**

The ornamental design for a heater unit, as shown and described.

DESCRIPTION

In a preferred embodiment the nature of this product is as a heater that heats personal care fluids such as shaving cream, lotion or the like, and then dispenses them.

FIG. 1 is a left, top, frontal perspective view of a heater unit embodying our new design;

FIG. 2 is a left side elevational view thereof, the right side elevational view being a mirror image thereof;

FIG. 3 is a front elevational view thereof;

FIG. 4 is a rear elevational view thereof;

FIG. 5 is a top plan view thereof;

FIG. 6 is a bottom plan view thereof;

FIG. 7 is a left, top, frontal perspective view of a second embodiment;

FIG. 8 is a left side elevational view thereof, the right side elevational view being a mirror image thereof;

FIG. 9 is a front elevational view thereof;

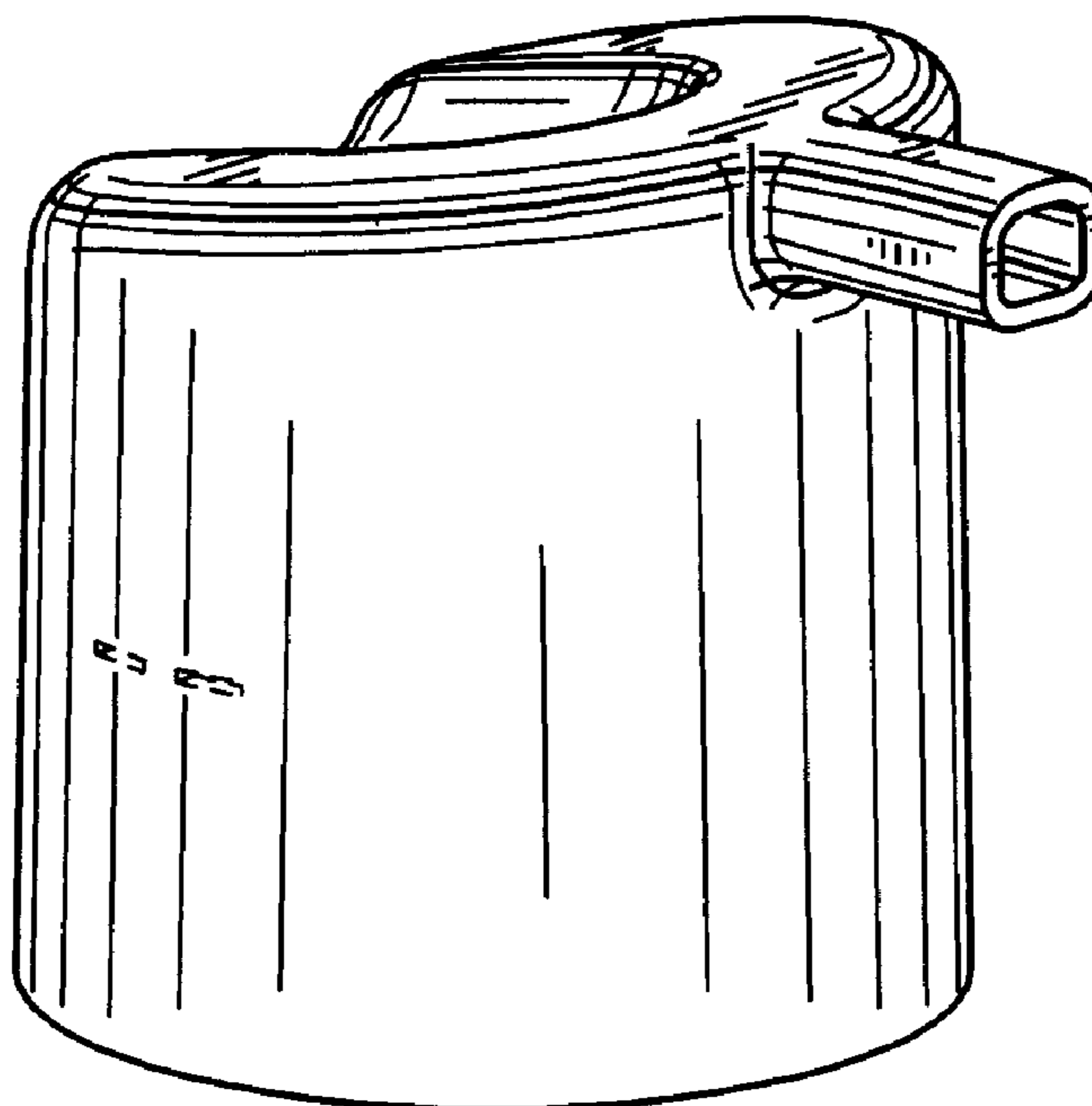
FIG. 10 is a rear elevational view thereof;

FIG. 11 is a top plan view thereof; and,

FIG. 12 is a bottom plan view thereof.

The broken line representations along the side walls of the first embodiment in certain views are for purposes of illustration only and form no part of the claimed design.

1 Claim, 4 Drawing Sheets



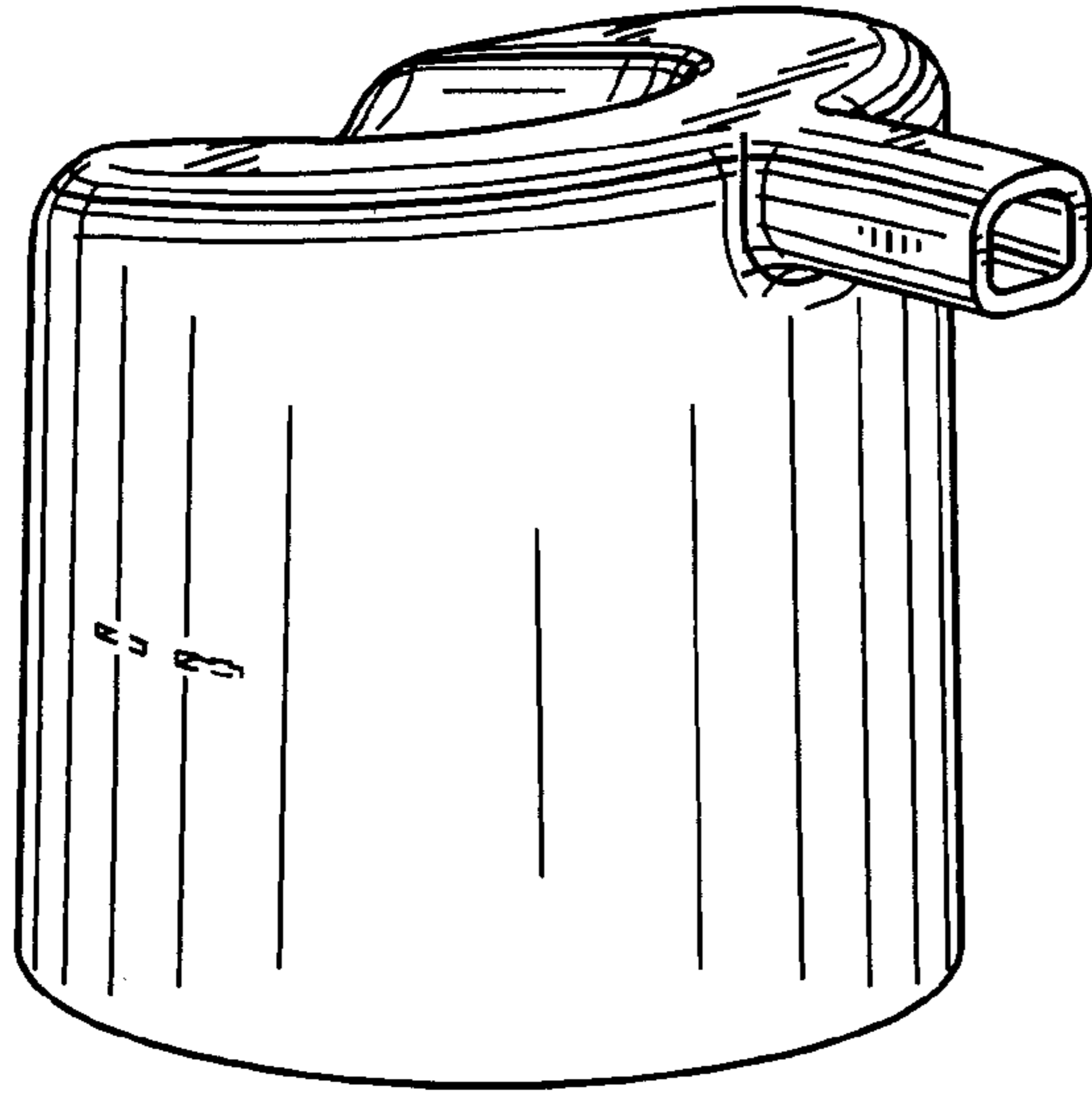


FIG. 1

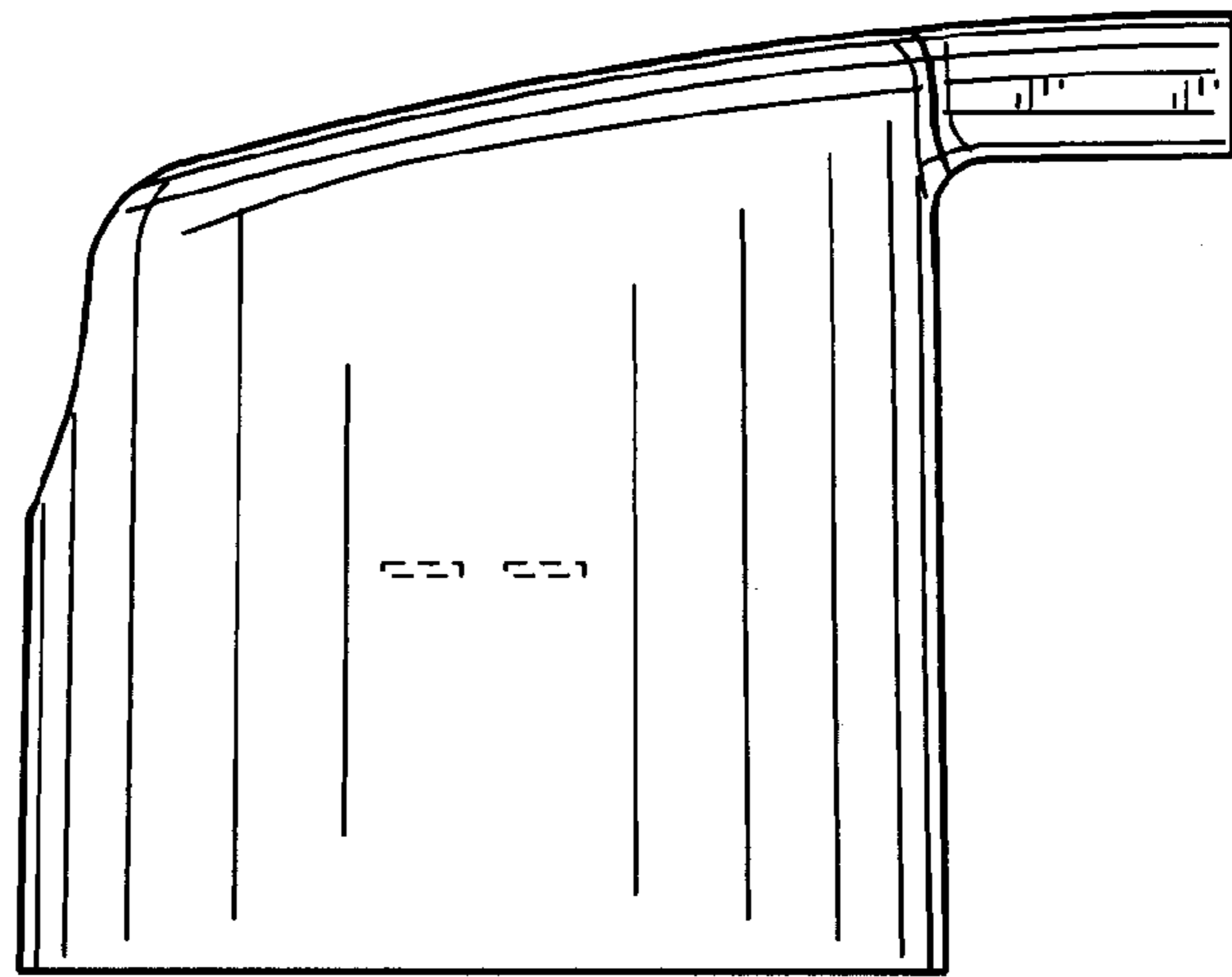


FIG. 2

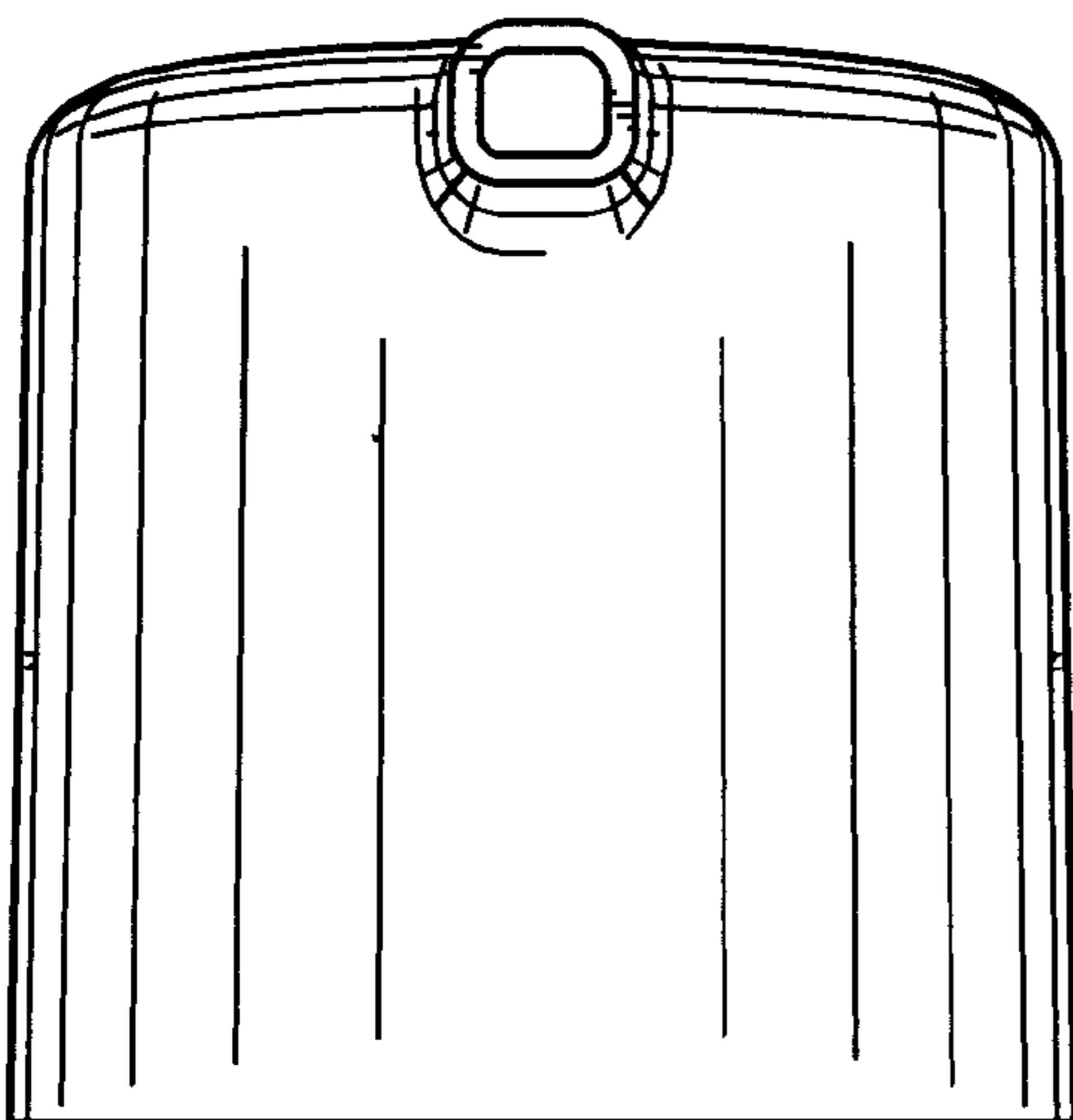


FIG. 3

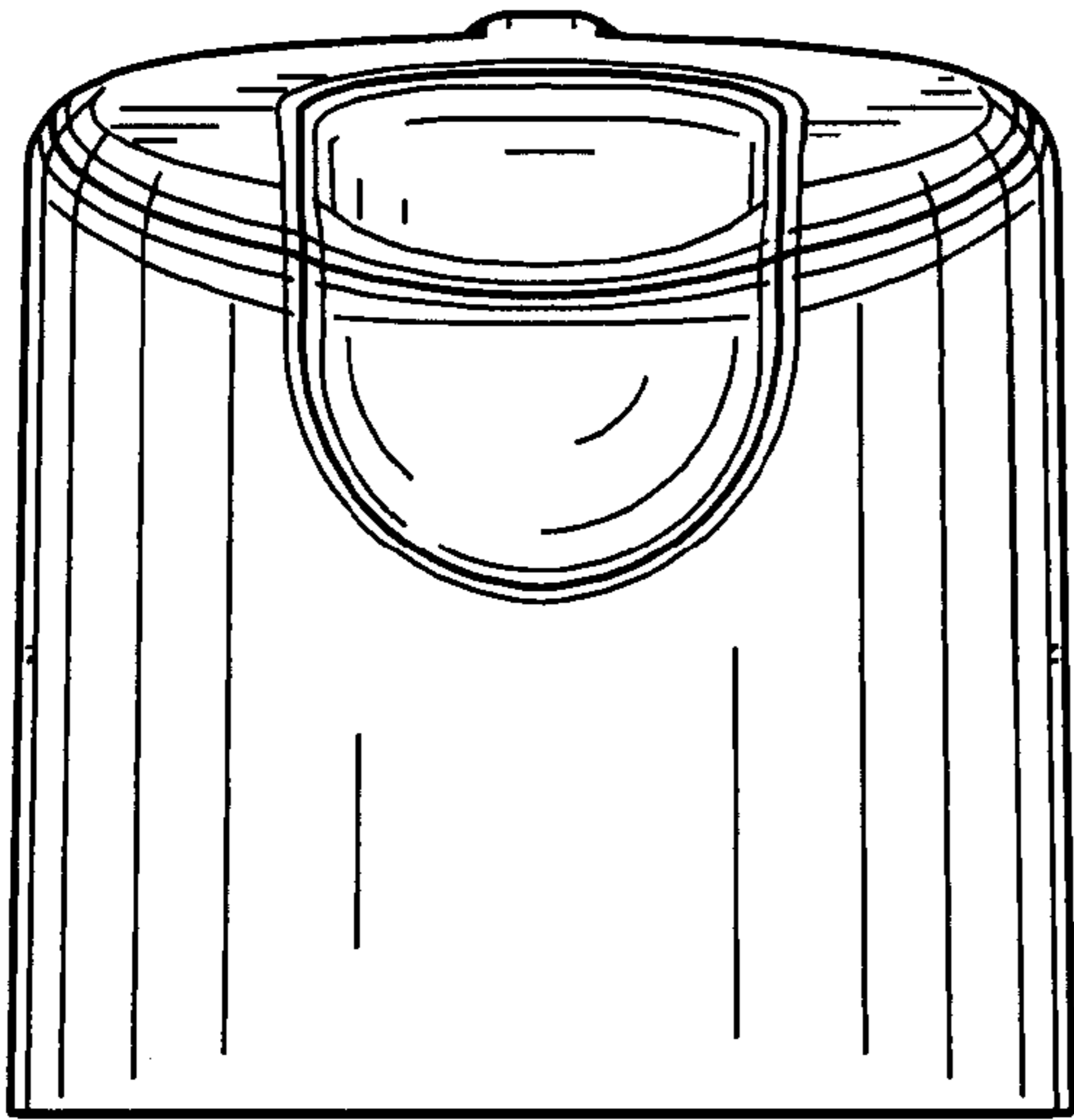


FIG. 4

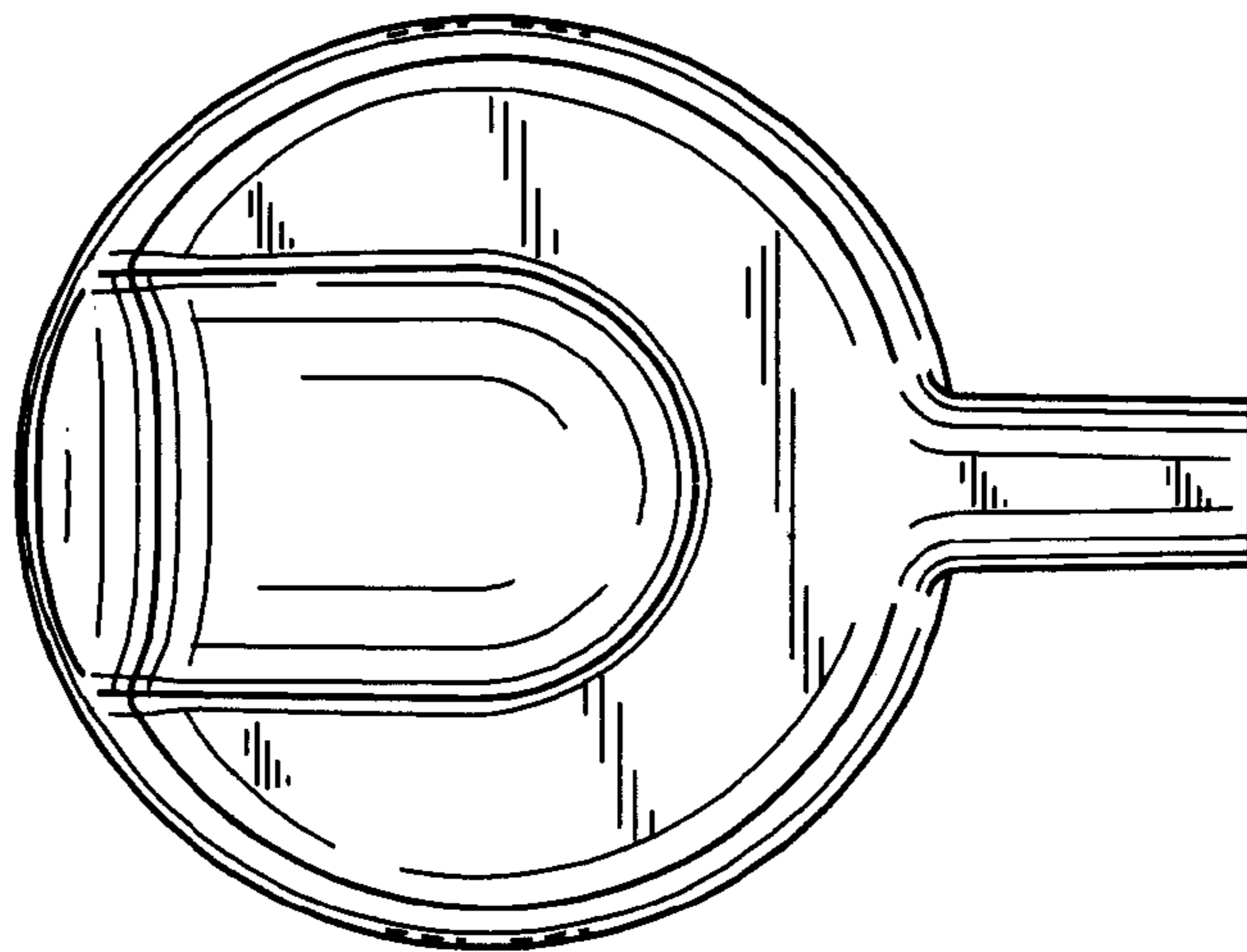


FIG. 5

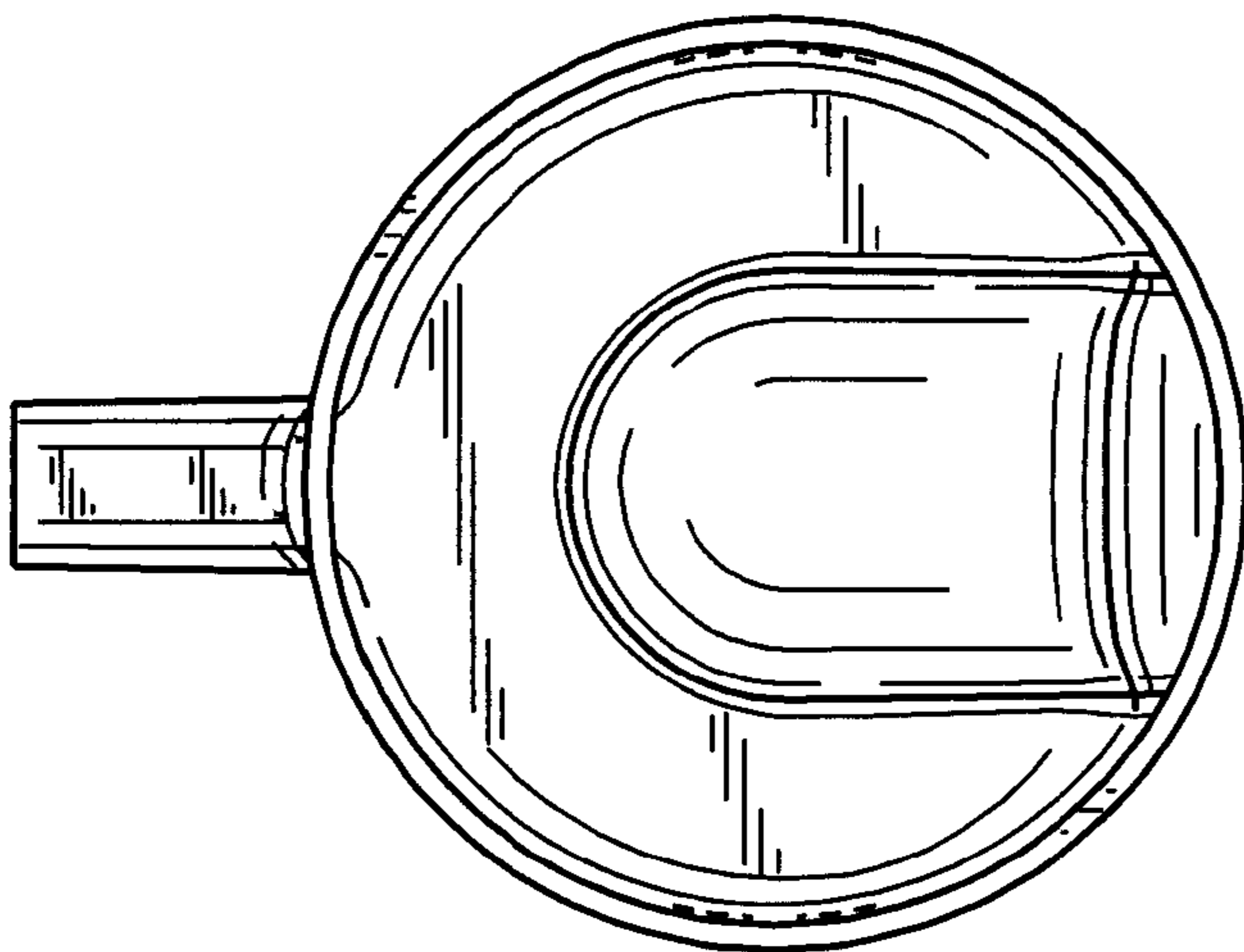


FIG. 6

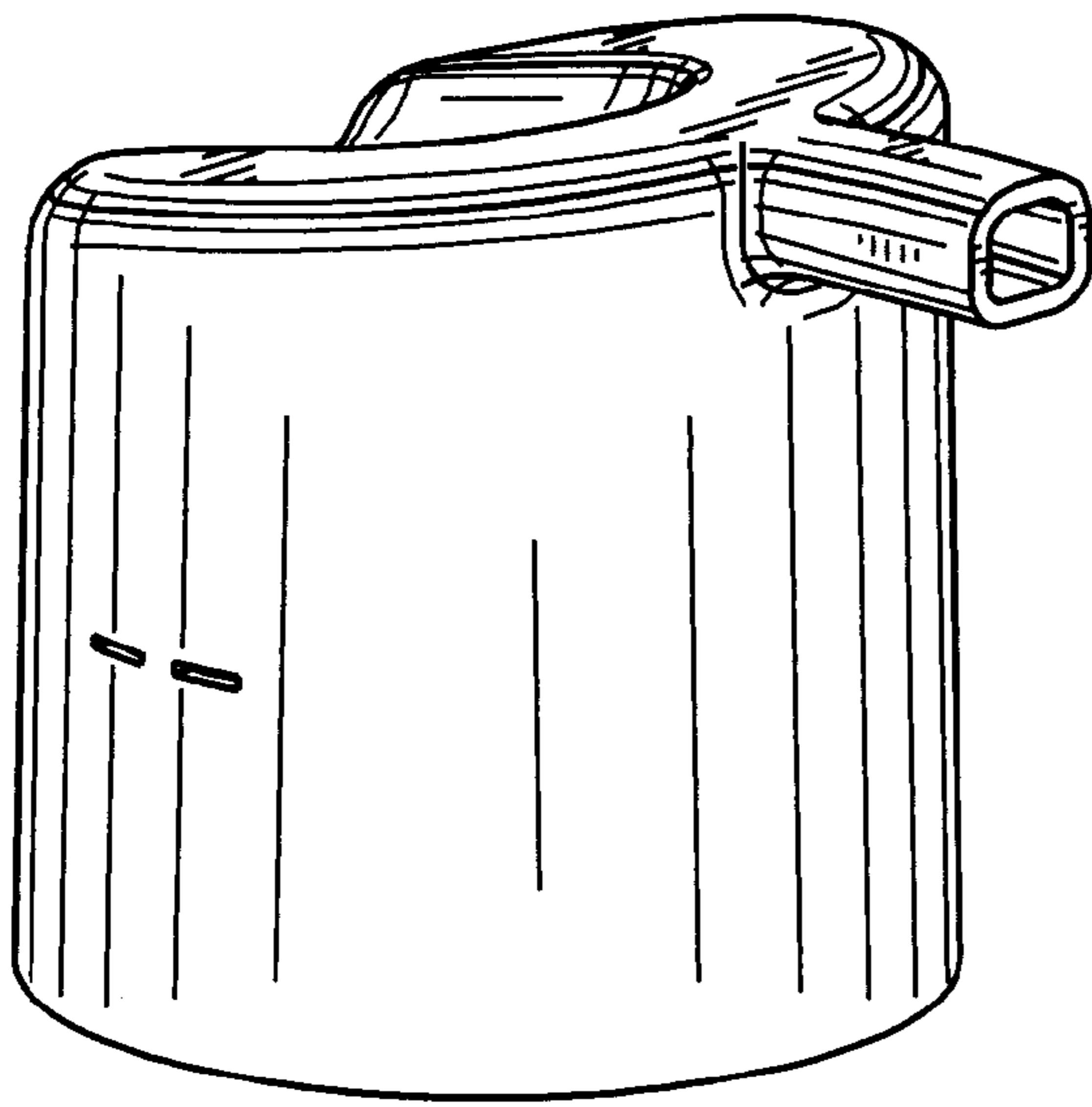


FIG. 7

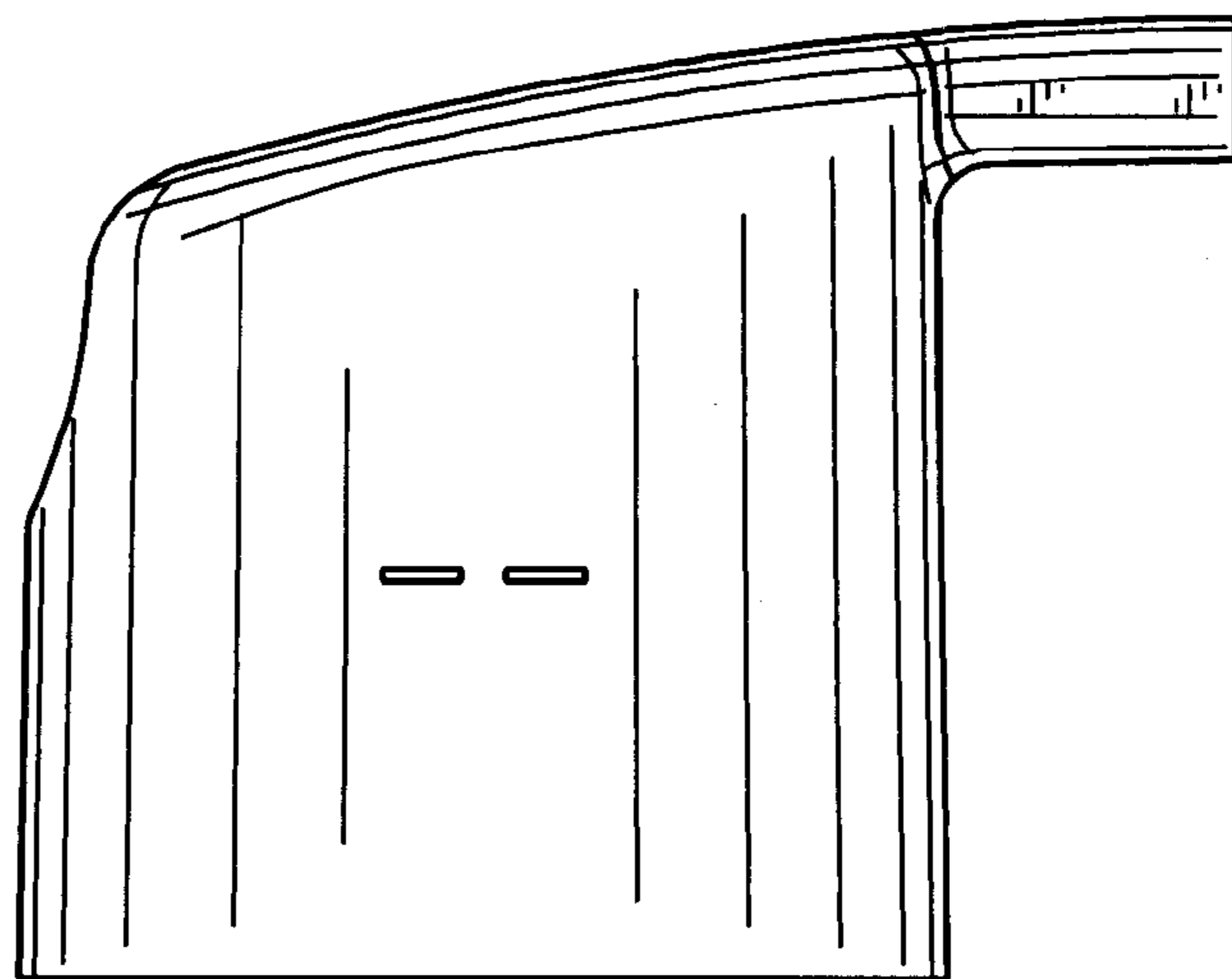


FIG. 8

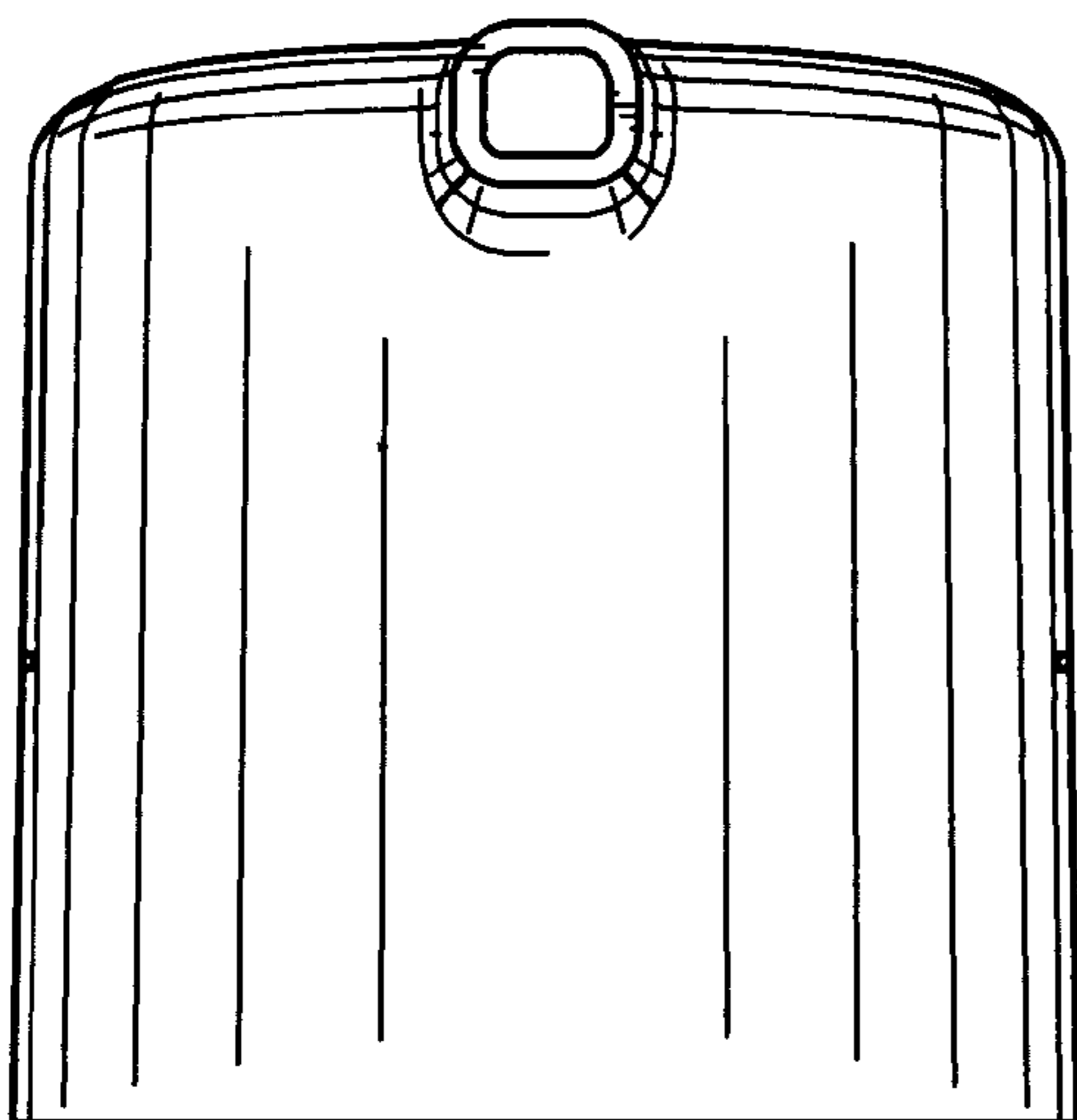


FIG. 9

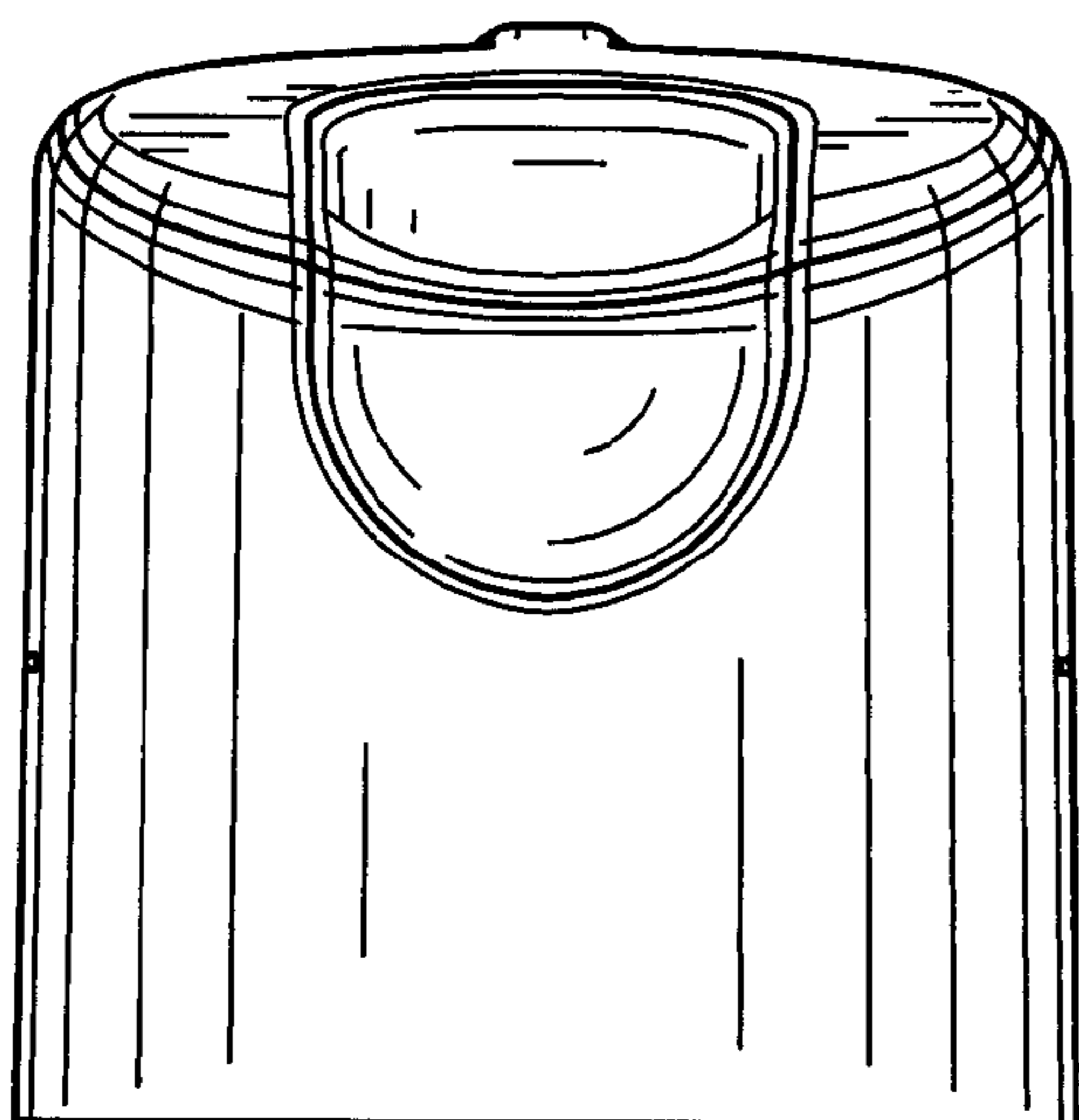


FIG. 10

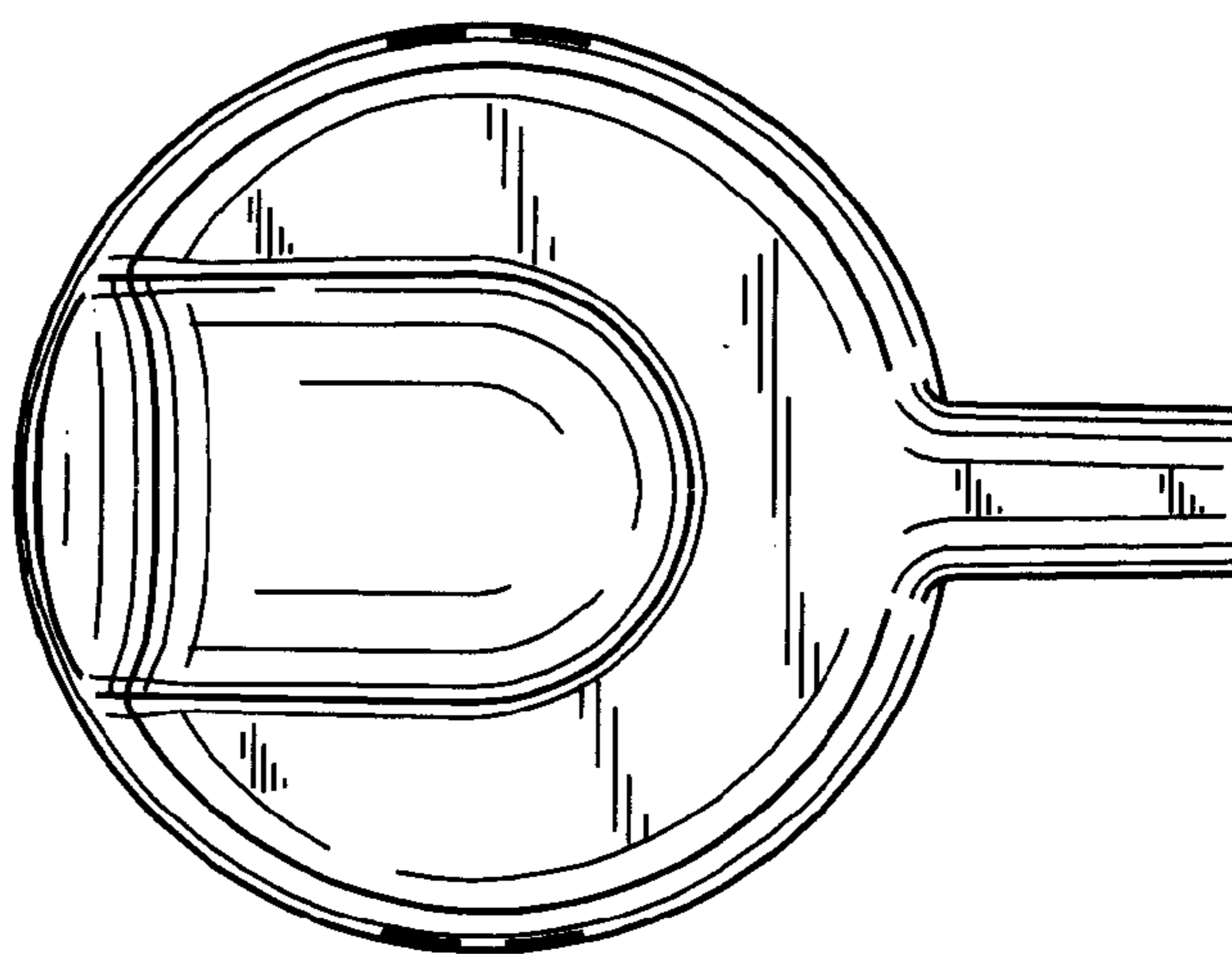


FIG. 11

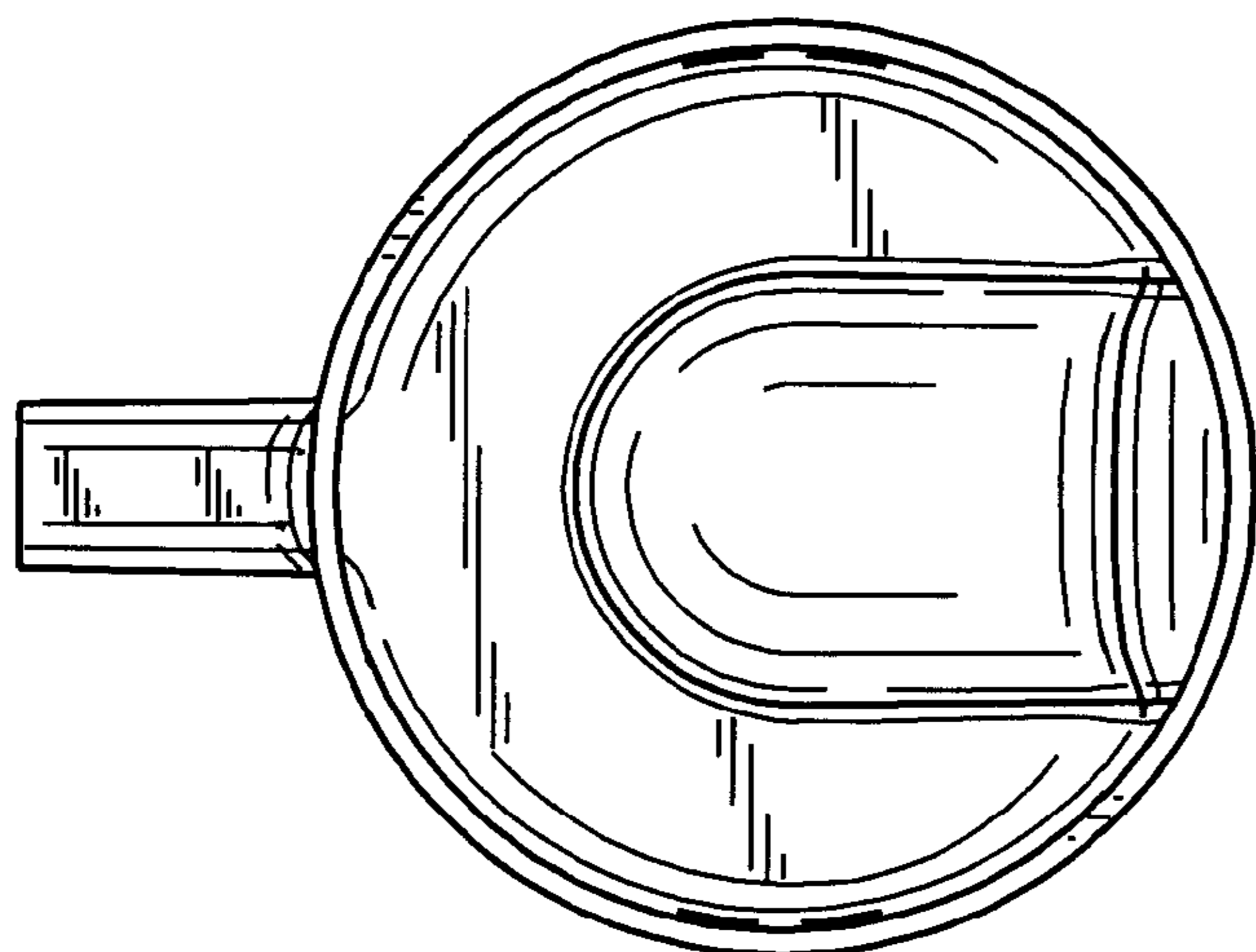


FIG. 12