



US00D551002S

(12) **United States Design Patent**  
**Snell**

(10) **Patent No.:** **US D551,002 S**

(45) **Date of Patent:** **\*\* Sep. 18, 2007**

(54) **BRUSH HOLDER**

(75) Inventor: **Russell Benton Snell**, Bentleyville, OH (US)

(73) Assignee: **InterDesign, Inc.**, Solon, OH (US)

(\*\*) Term: **14 Years**

(21) Appl. No.: **29/260,696**

(22) Filed: **May 31, 2006**

(51) **LOC (8) Cl.** ..... **06-04**

(52) **U.S. Cl.** ..... **D6/525; D6/476**

(58) **Field of Classification Search** ..... D6/476,  
D6/510, 467, 528, 525, 553, 540, 574, 527;  
D3/201, 304, 310-313, 315, 901; 206/214,  
206/561, 77.1, 5, 207, 349, 361; D19/78,  
D19/90; 211/13.1, 85.1, 85.12, 70.6  
See application file for complete search history.

(56) **References Cited**

**U.S. PATENT DOCUMENTS**

D365,714 S *	1/1996	Masello	.....	D6/526
D387,384 S *	12/1997	Meyer	.....	D19/90
D392,324 S *	3/1998	Cheris et al.	.....	D19/78
D413,749 S *	9/1999	Stravitz	.....	D6/567
D531,844 S *	11/2006	Snell	.....	D6/542
D532,230 S *	11/2006	Snell	.....	D6/525

**OTHER PUBLICATIONS**

2005 InterDesign, Inc. product brochure, p. 33 w/front & back cover.

\* cited by examiner

*Primary Examiner*—Cathron C. Brooks

*Assistant Examiner*—Kelley A. Donnelly

(74) *Attorney, Agent, or Firm*—D. Peter Hochberg; Sean Mellino

(57) **CLAIM**

The ornamental design for a brush holder, as shown and described.

**DESCRIPTION**

FIG. 1 is a perspective view of the brush holder according to the invention;

FIG. 2 is a top view of the brush holder as shown in FIG. 1;

FIG. 3 is a front view of the brush holder as shown in FIG. 1;

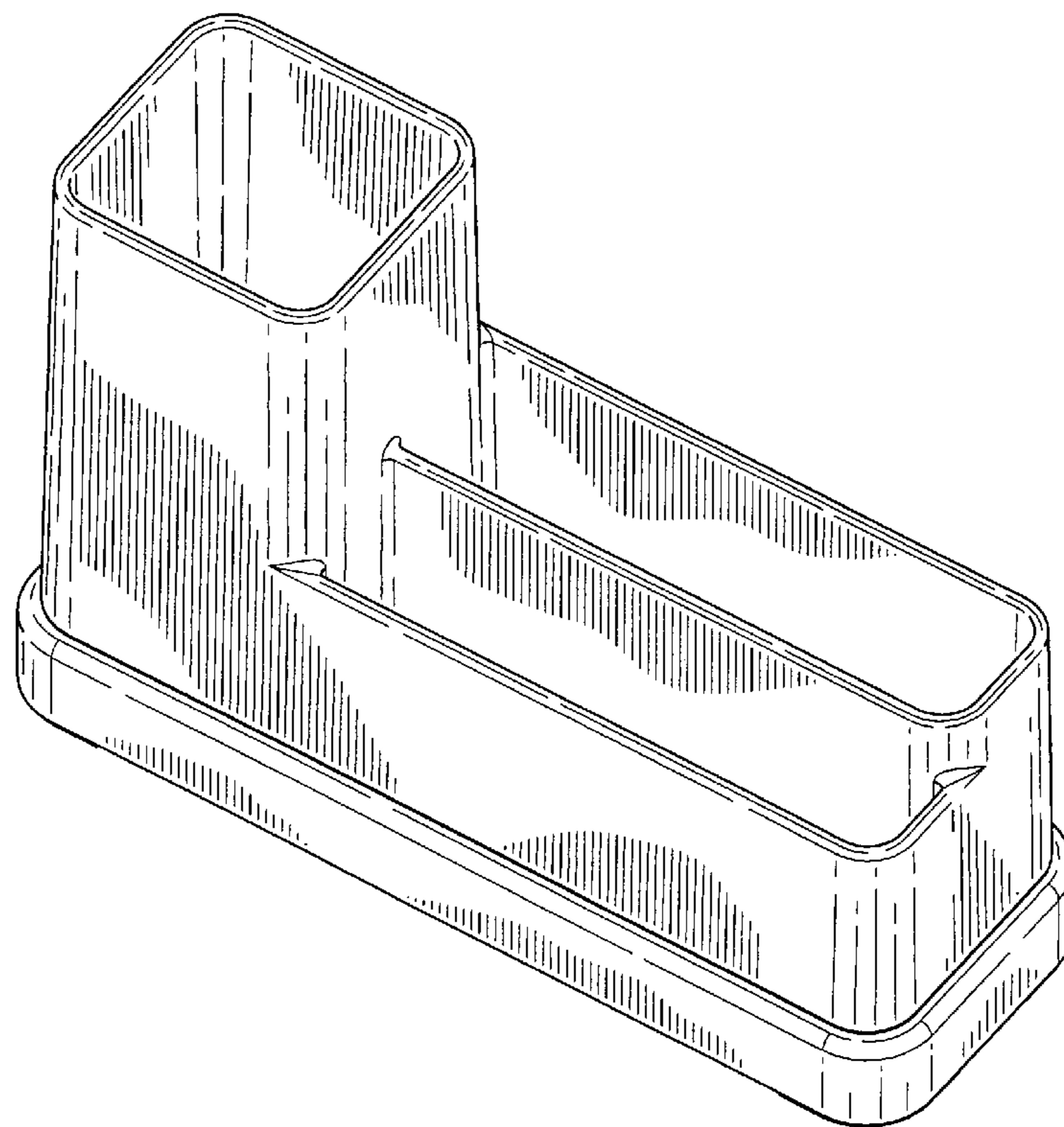
FIG. 4 is a side view of the brush holder as shown in FIG. 1;

FIG. 5 is a rear view of the brush holder as shown in FIG. 1;

FIG. 6 is a side view of the brush holder as shown in FIG. 1, shown from the opposite side as that shown in FIG. 4; and,

FIG. 7 is a bottom view of the brush holder as shown in FIG. 1.

**1 Claim, 3 Drawing Sheets**



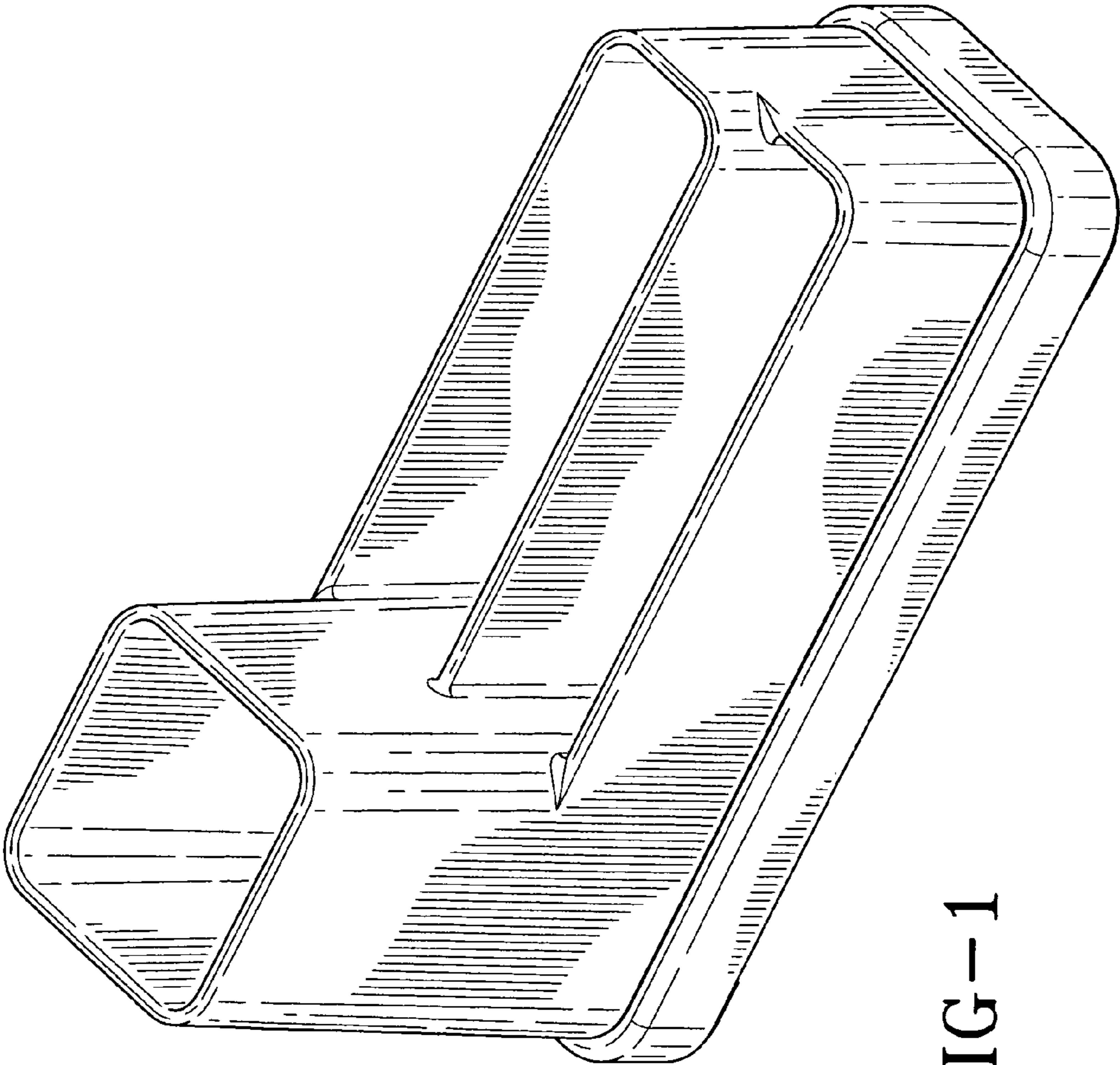


FIG--1

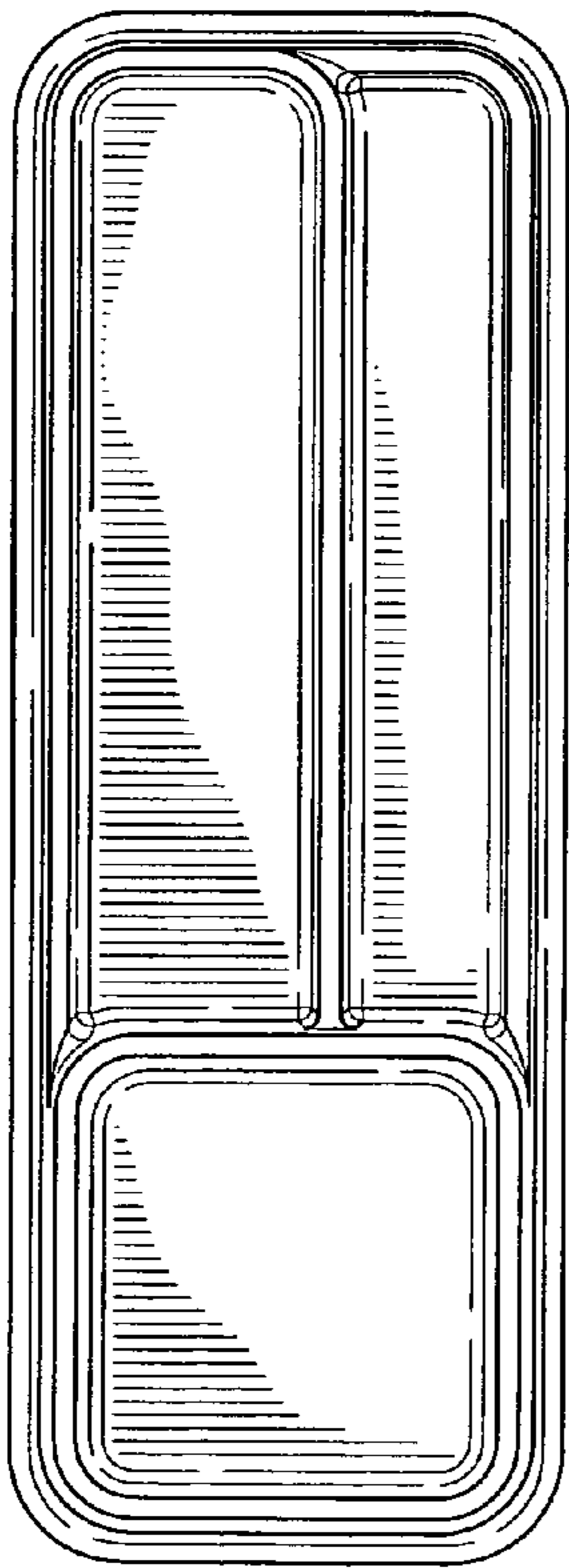


FIG-2

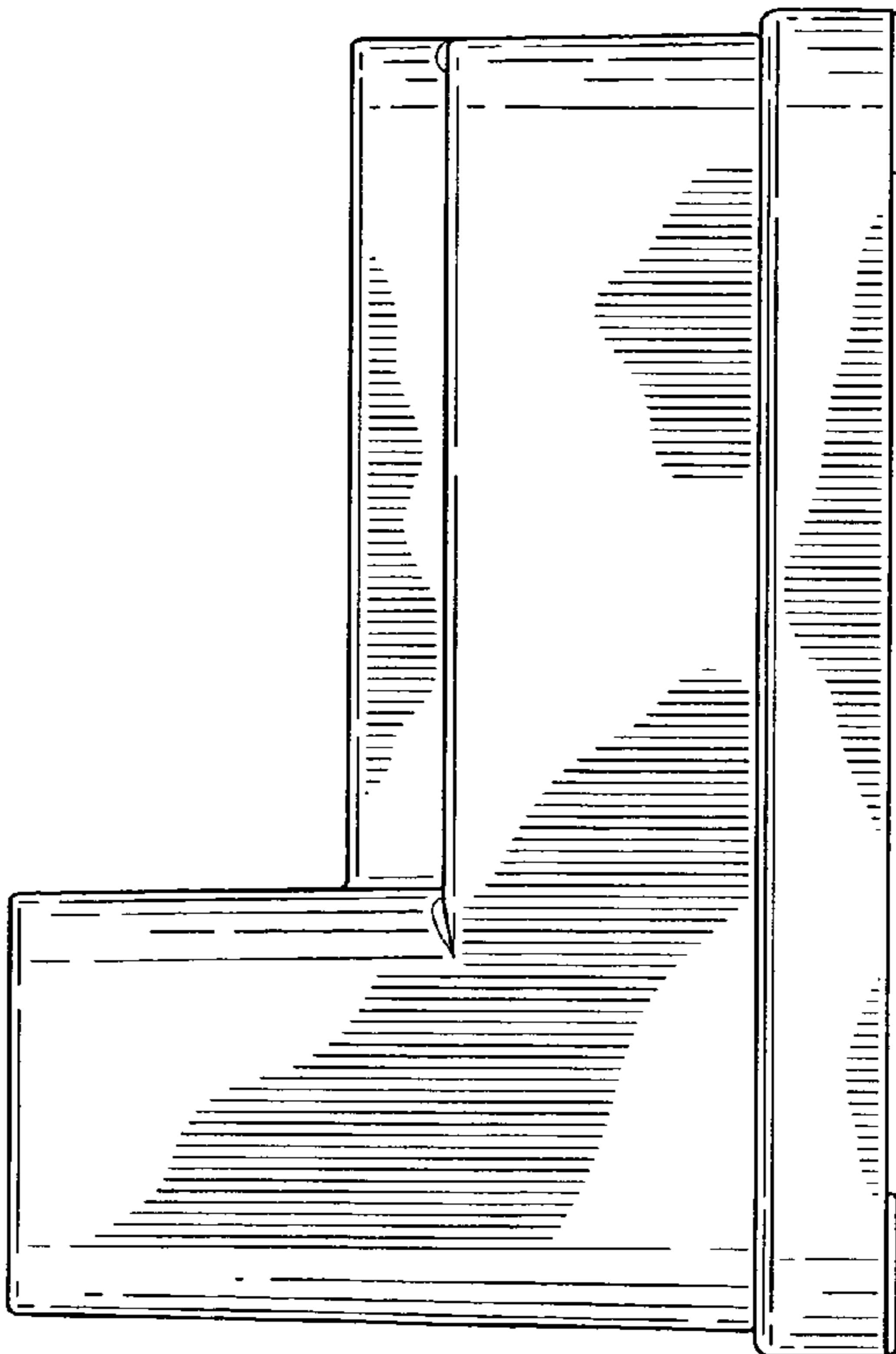


FIG-3

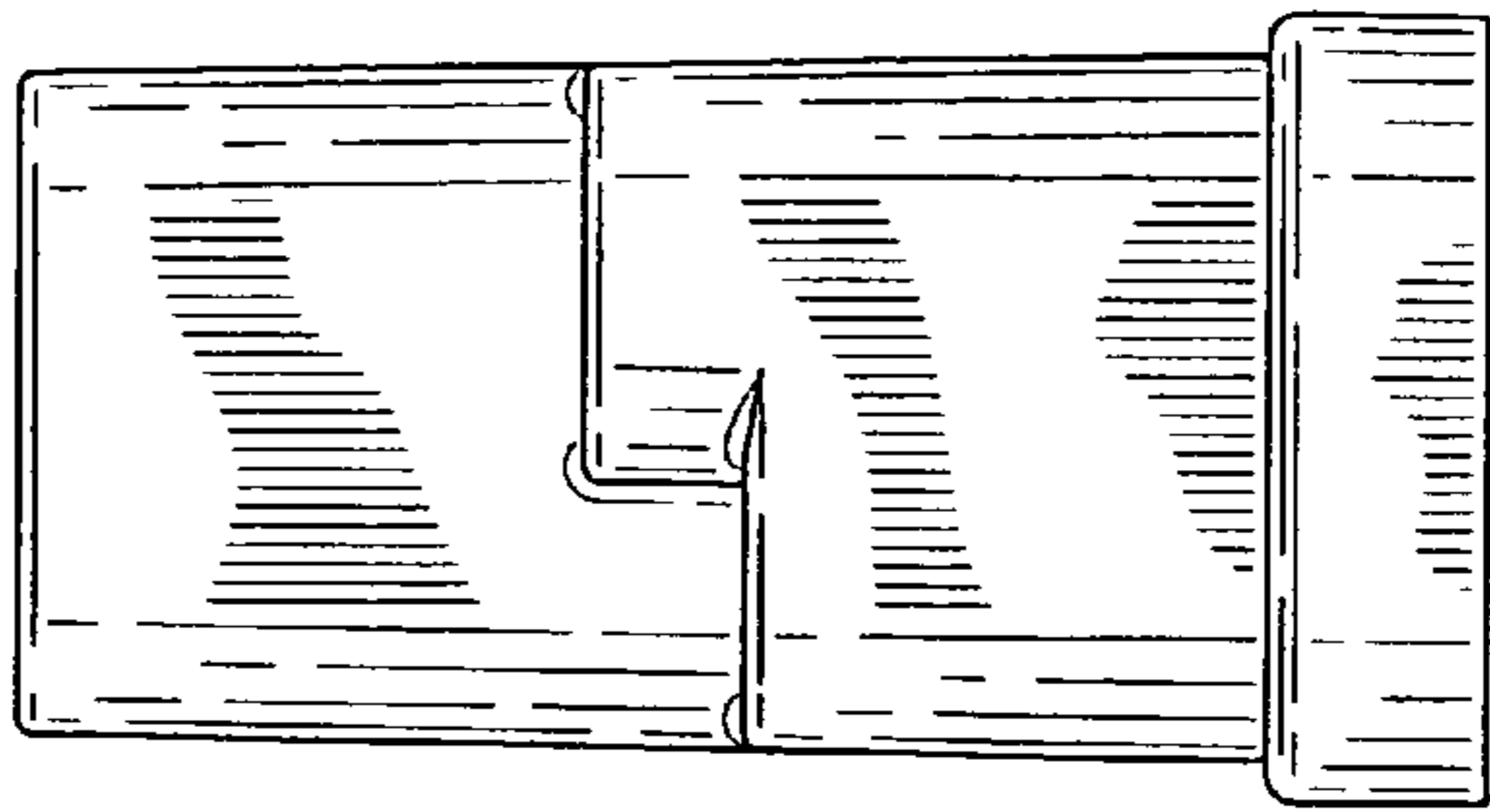


FIG-4

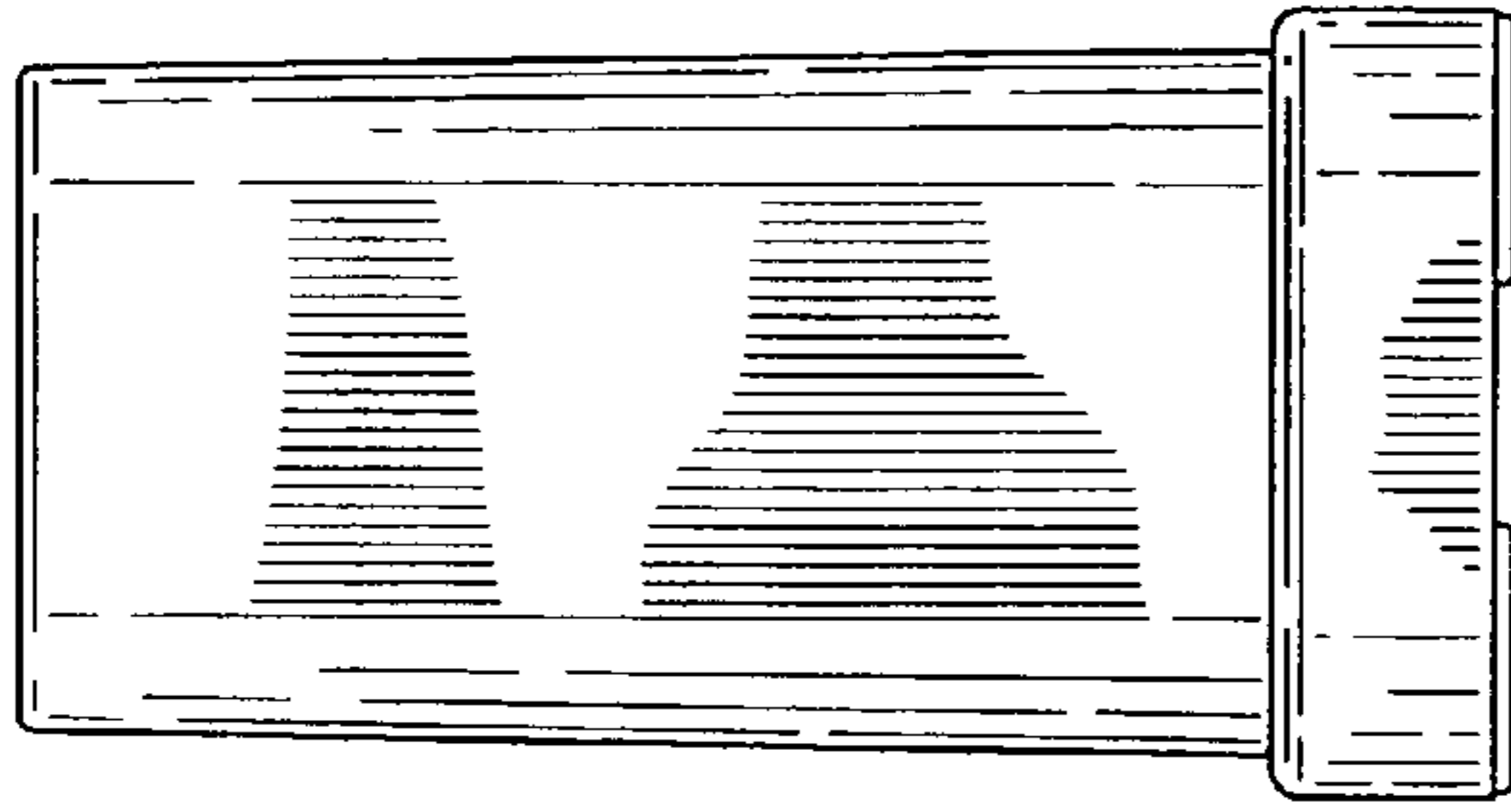


FIG-6

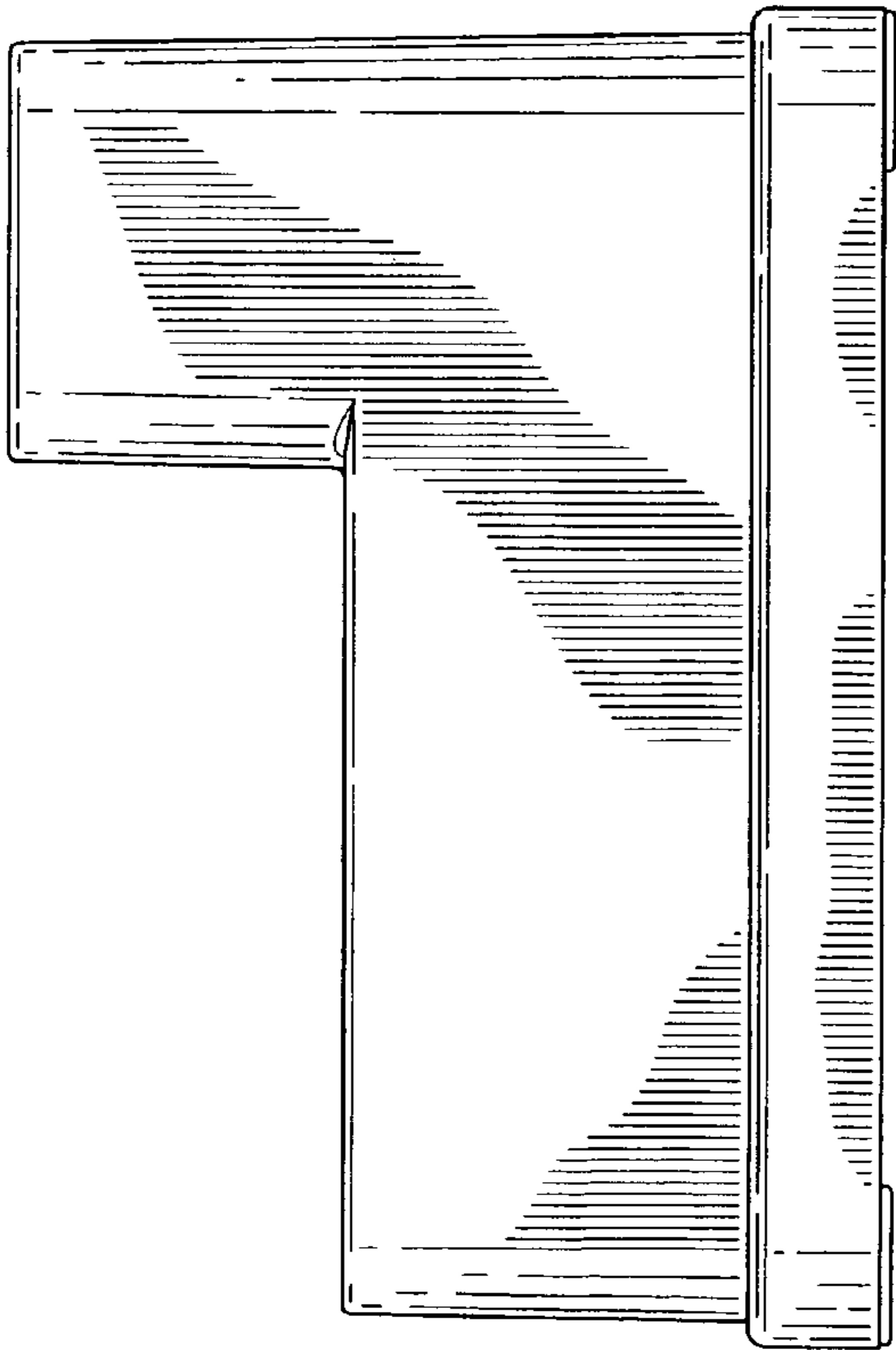


FIG-5

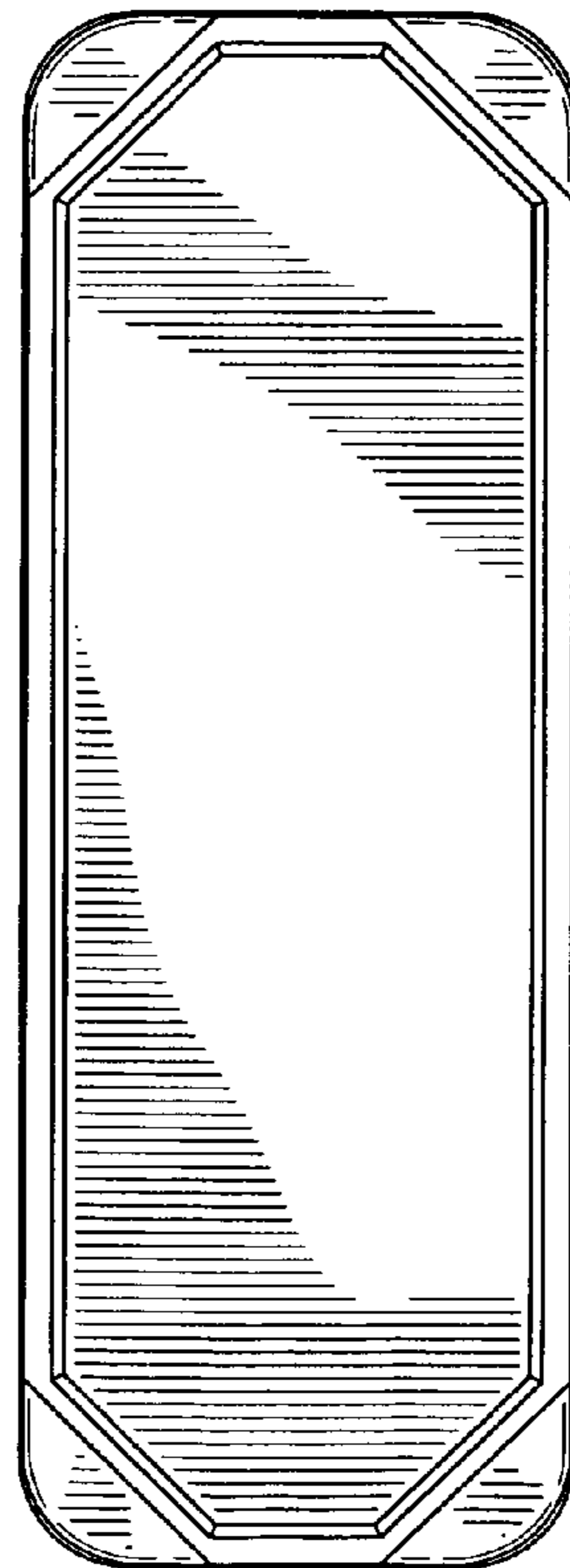


FIG-7