



US00D550997S

(12) **United States Design Patent**  
**Edwards**

(10) **Patent No.:** **US D550,997 S**

(45) **Date of Patent:** **\*\* Sep. 18, 2007**

(54) **BAG DISPENSER**

(75) Inventor: **Timothy Edwards**, Del Mar, CA (US)

(73) Assignee: **RPG Bags, LLC**, Irving, TX (US)

(\*\*) Term: **14 Years**

(21) Appl. No.: **29/253,949**

(22) Filed: **Feb. 14, 2006**

(51) **LOC (8) Cl.** ..... **20-02**

(52) **U.S. Cl.** ..... **D6/518**

(58) **Field of Classification Search** ..... D6/515-523;  
206/225, 233, 389, 391, 812, 824; 211/13.1,  
211/45; 222/173, 180; 221/26, 33, 282-283;  
242/925, 570, 590; 248/309.1, 309.2, 905  
See application file for complete search history.

(56) **References Cited**

**U.S. PATENT DOCUMENTS**

D240,062 S *	5/1976	Safram .....	D23/234
D307,402 S *	4/1990	Rouse et al. ....	D11/157
D328,620 S *	8/1992	Maple .....	D23/234
D360,788 S *	8/1995	Cousins .....	D6/515

D394,414 S *	5/1998	Catalano .....	D11/133
D464,179 S *	10/2002	Petersen et al. ....	D30/162
D480,243 S *	10/2003	Edwards et al. ....	D6/515
D498,955 S *	11/2004	Edwards .....	D6/515
D522,286 S *	6/2006	Edwards .....	D6/518

\* cited by examiner

*Primary Examiner*—Brian N Vinson

(57) **CLAIM**

The ornamental design for a bag dispenser, as shown.

**DESCRIPTION**

FIG. 1 is a front, top and left side perspective view of a bag dispenser embodying my new design;

FIG. 2 is a front elevational view thereof;

FIG. 3 is a rear elevational view thereof;

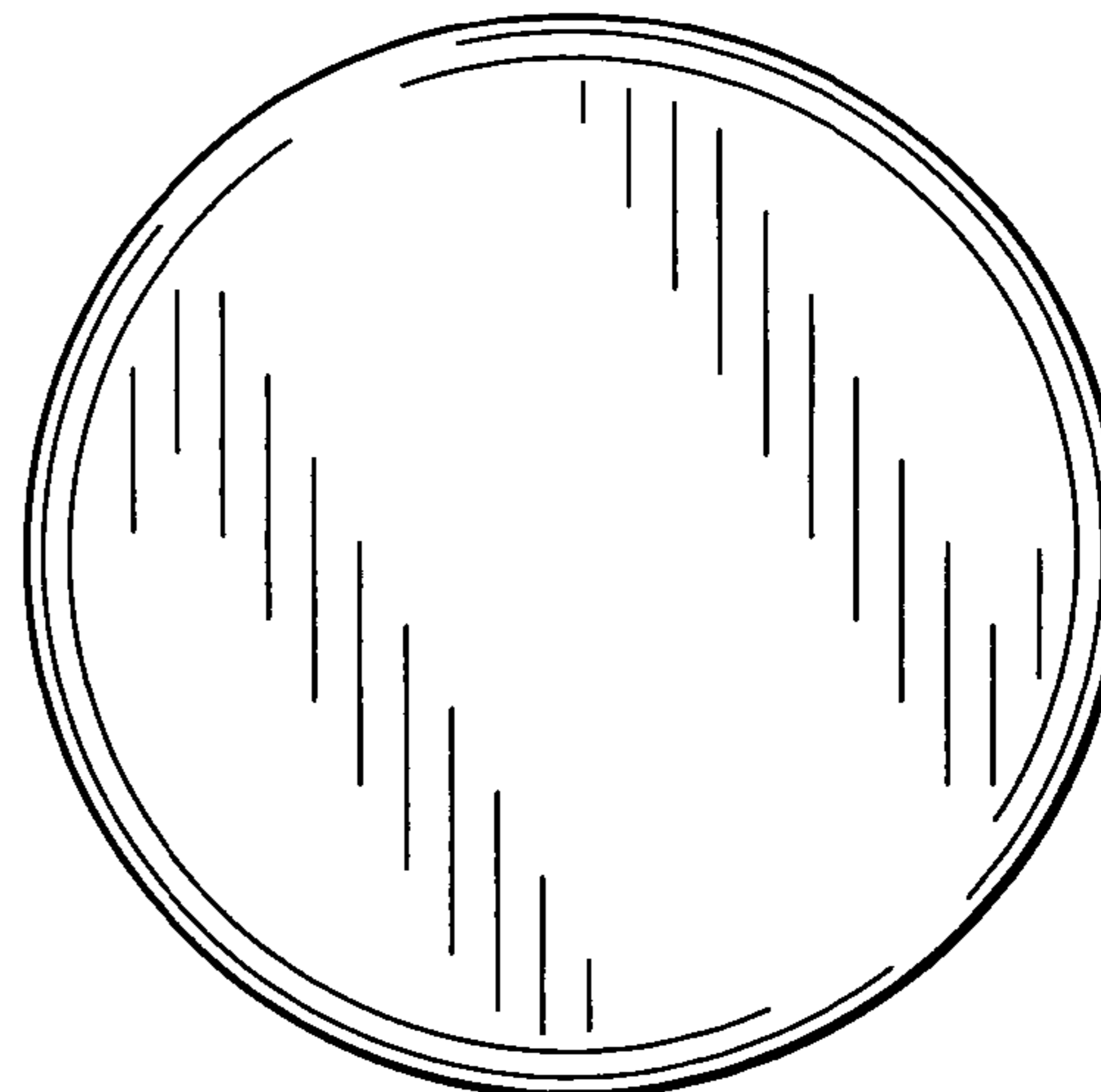
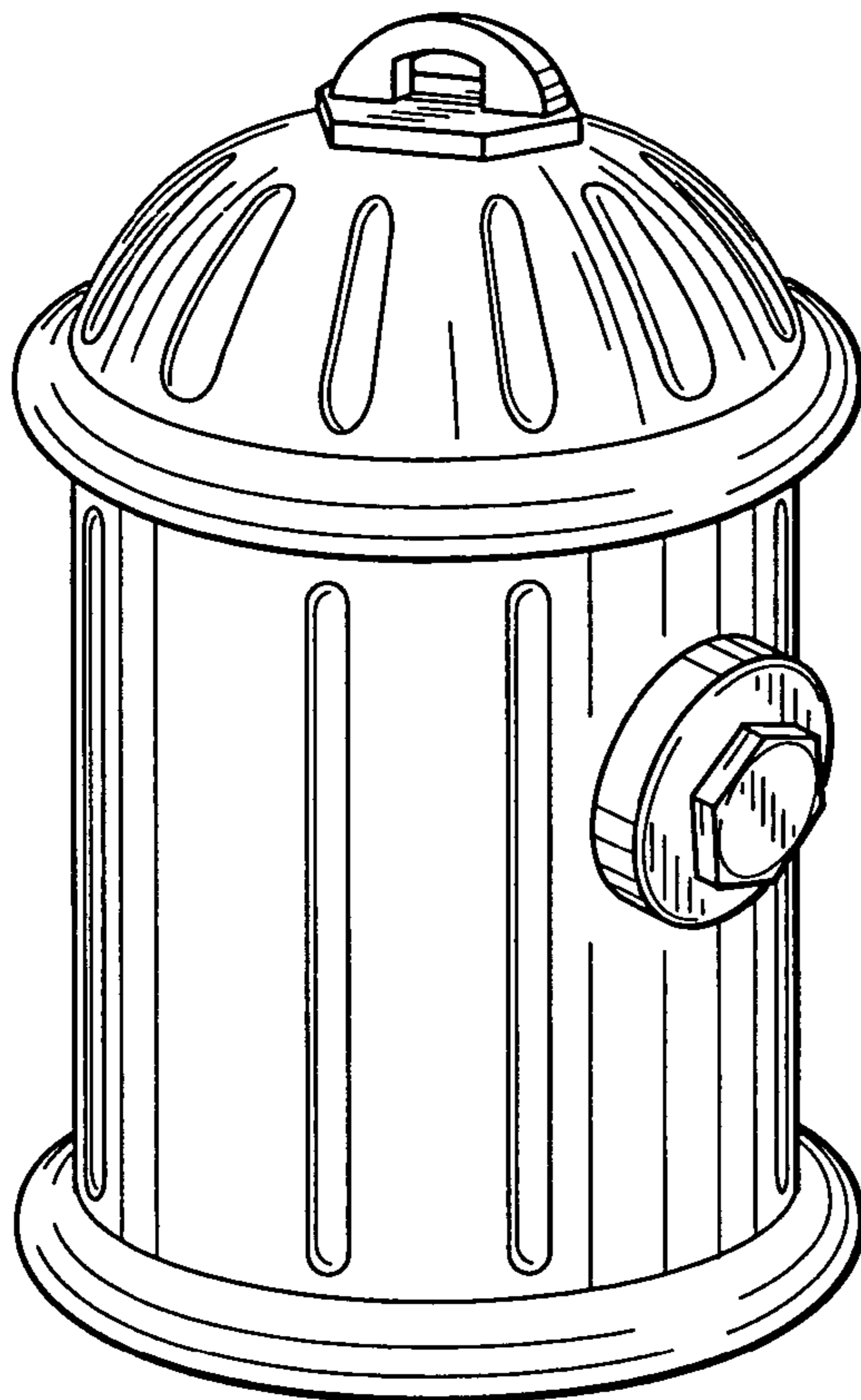
FIG. 4 is a right side elevational view thereof;

FIG. 5 is a left side elevational view thereof;

FIG. 6 is a top plan view thereof; and,

FIG. 7 is a bottom plan view thereof.

**1 Claim, 2 Drawing Sheets**



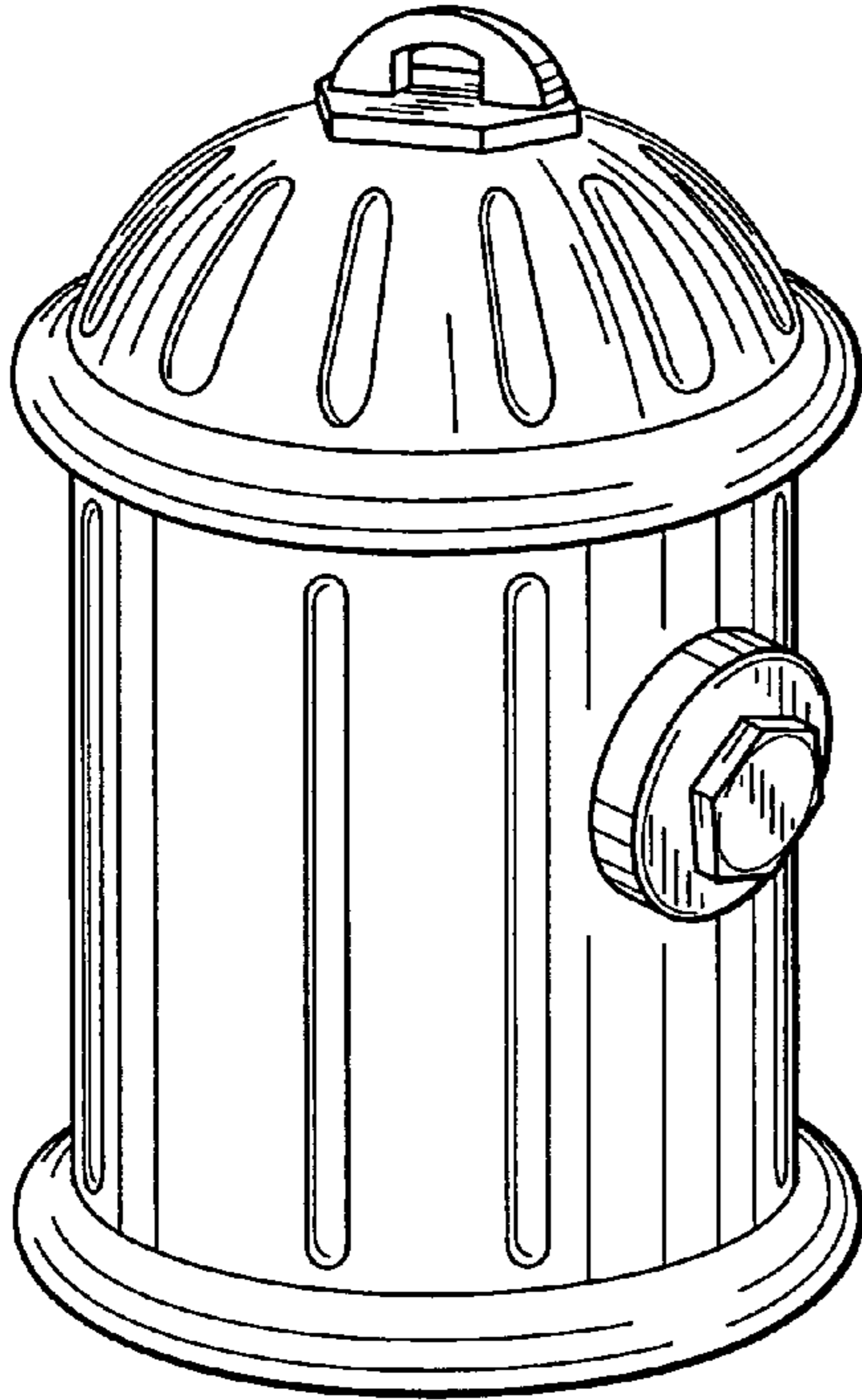


FIG. 1

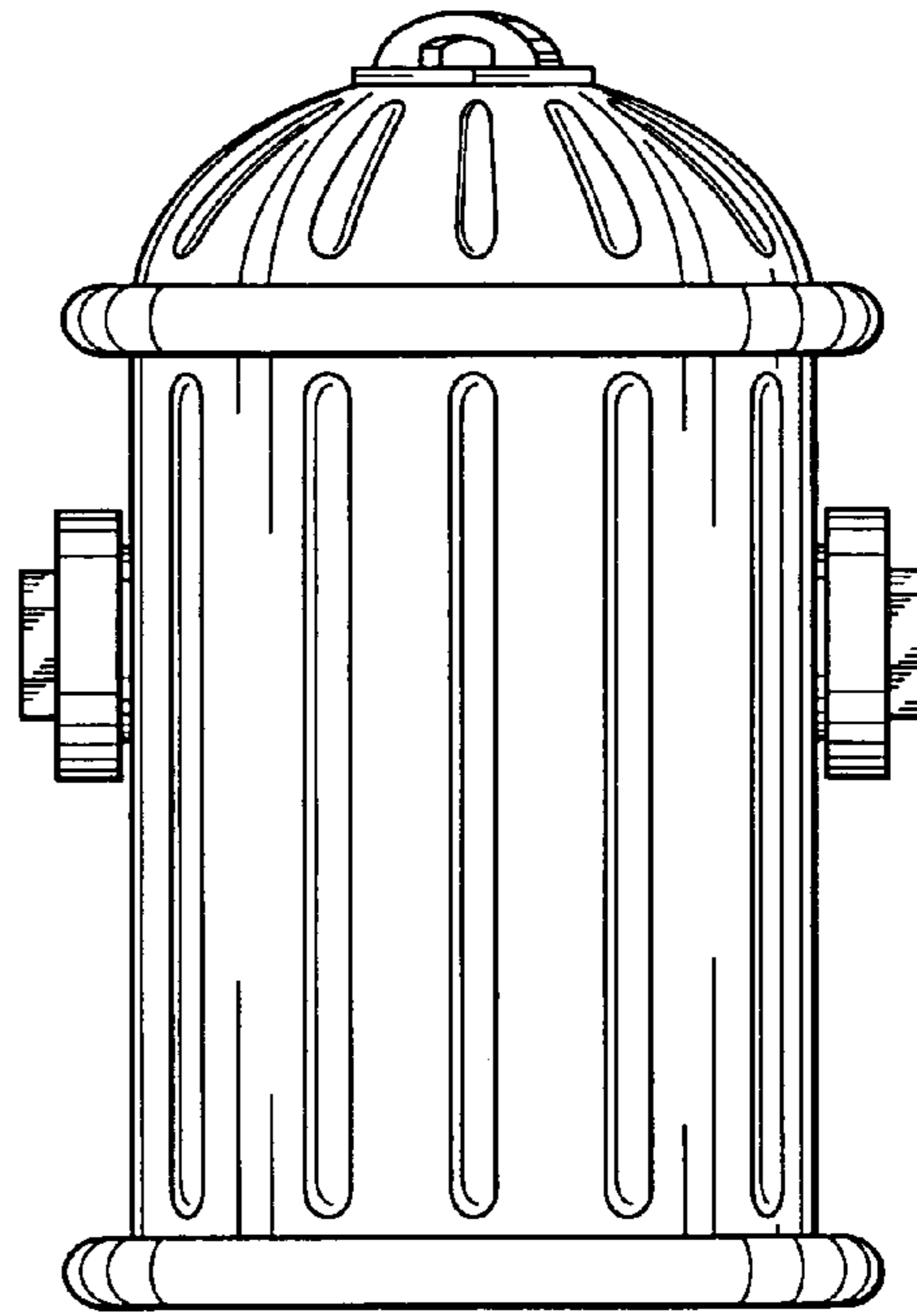


FIG. 2

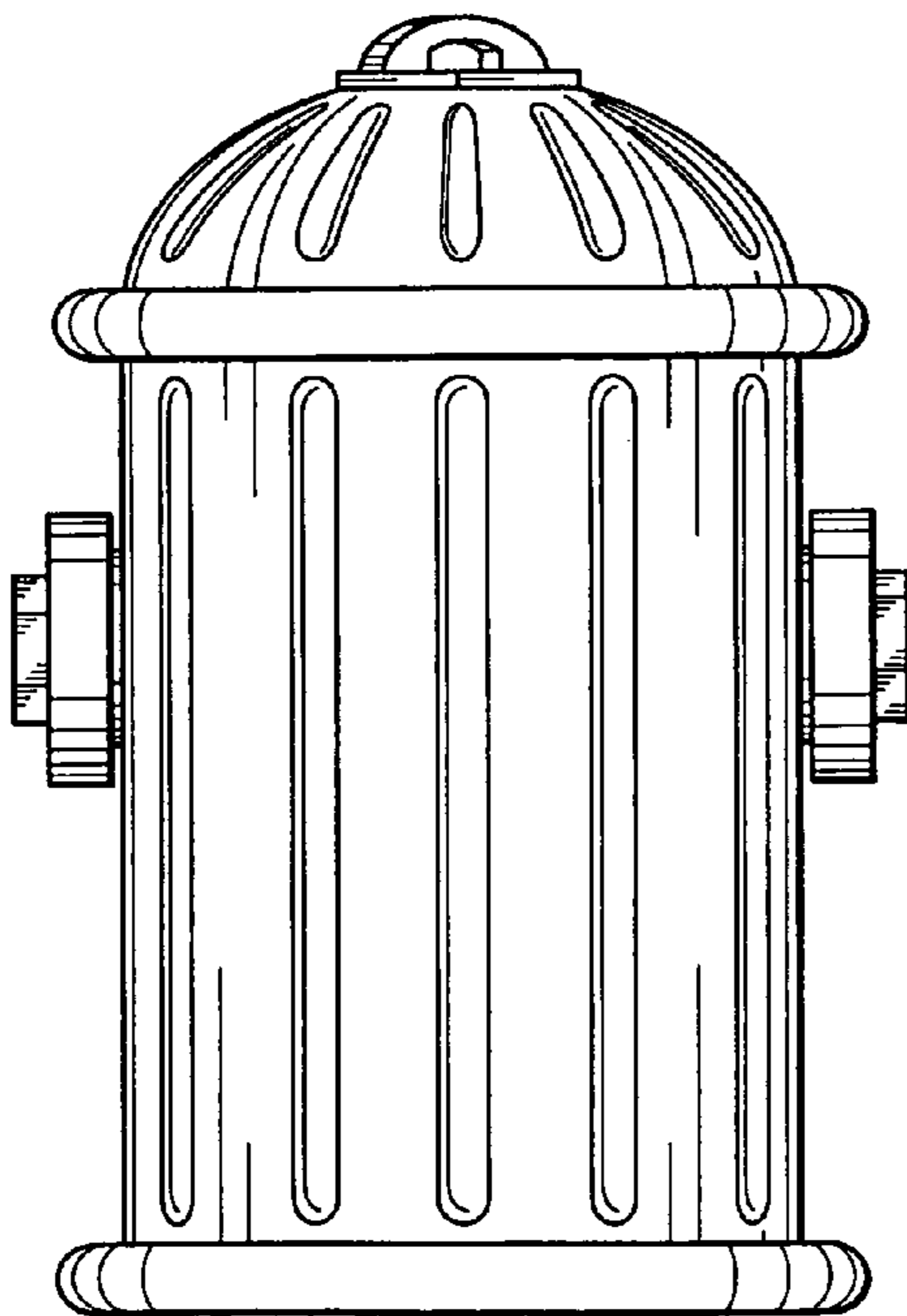


FIG. 3

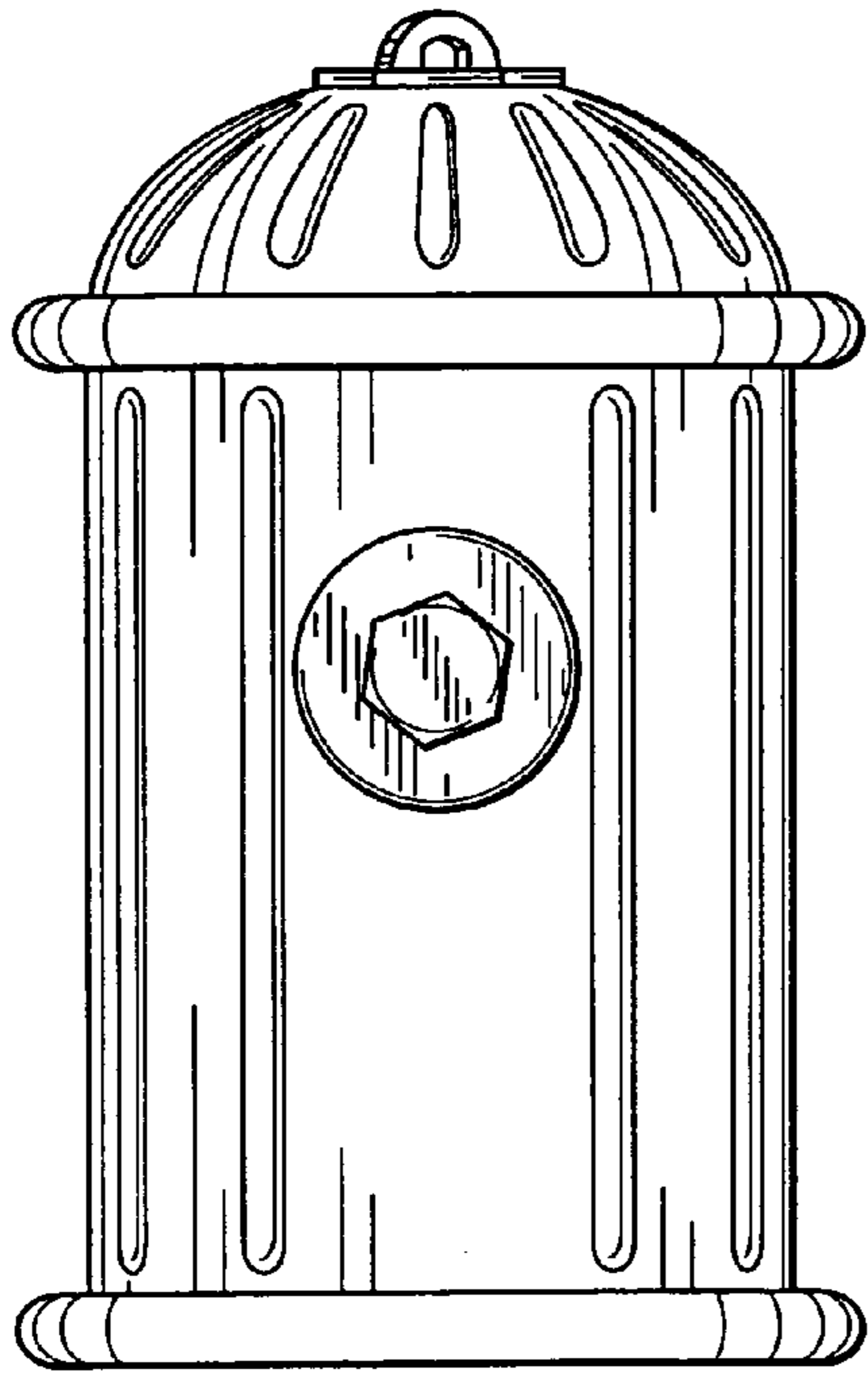


FIG. 4

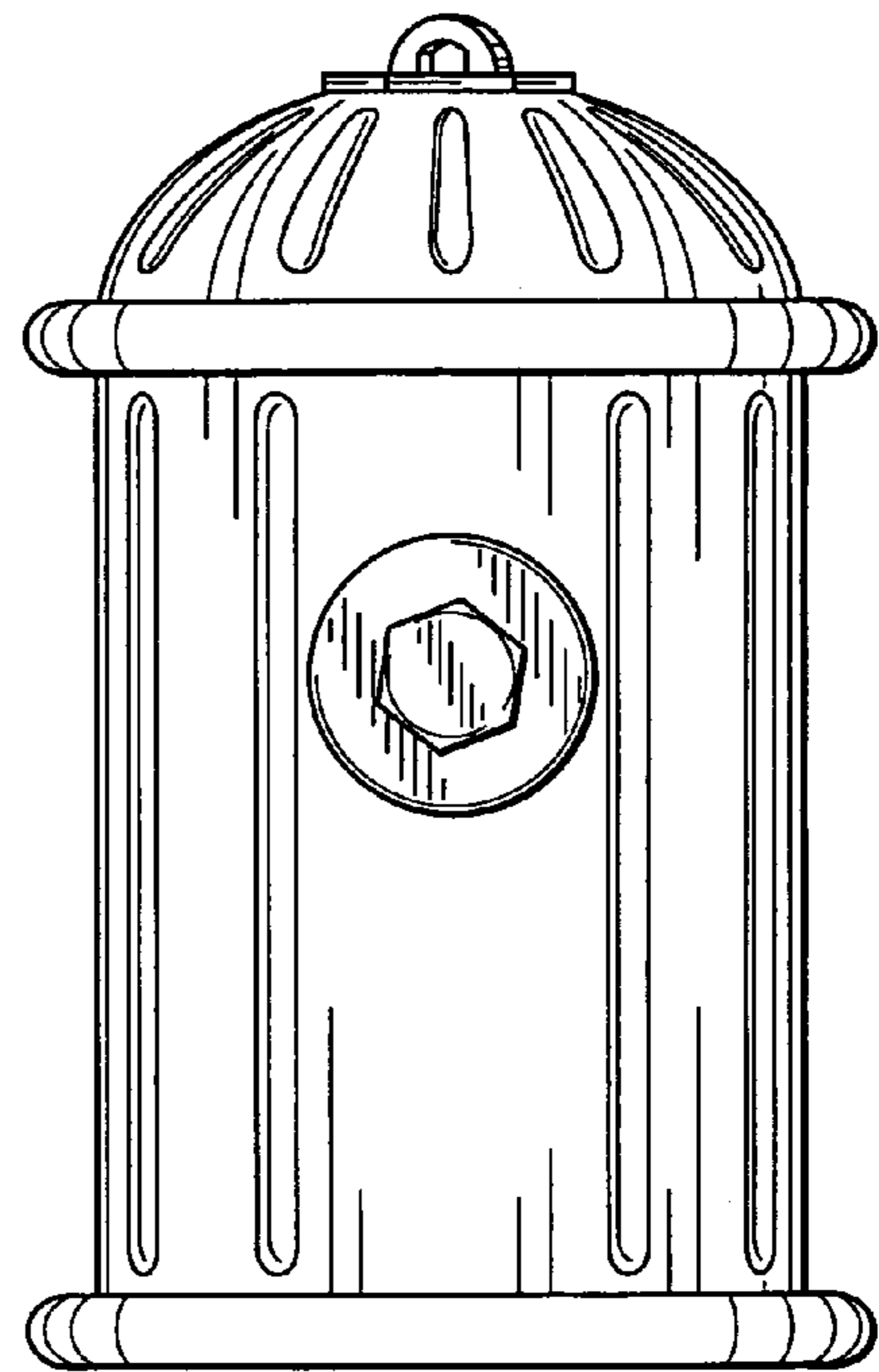


FIG. 5

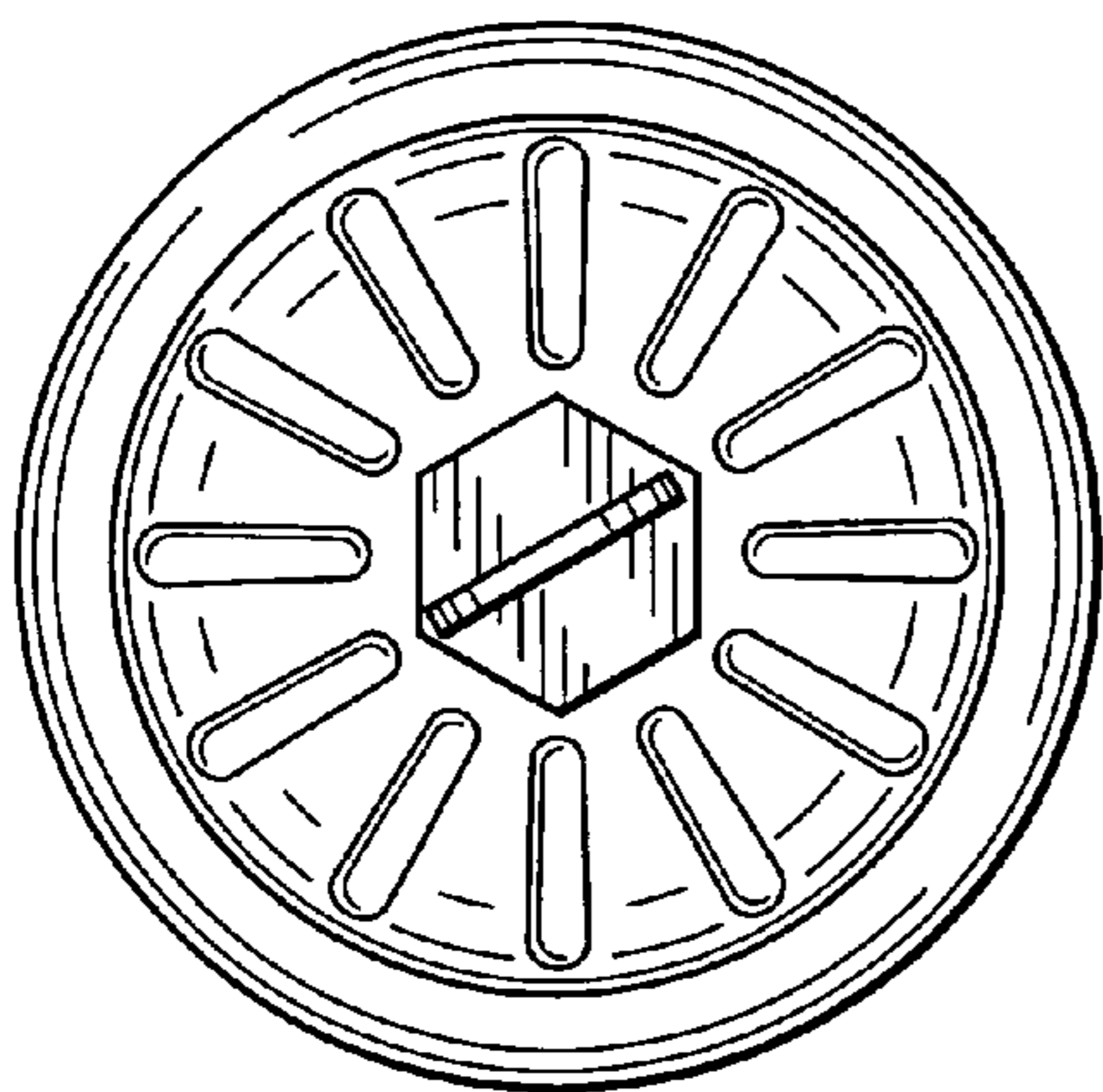


FIG. 6

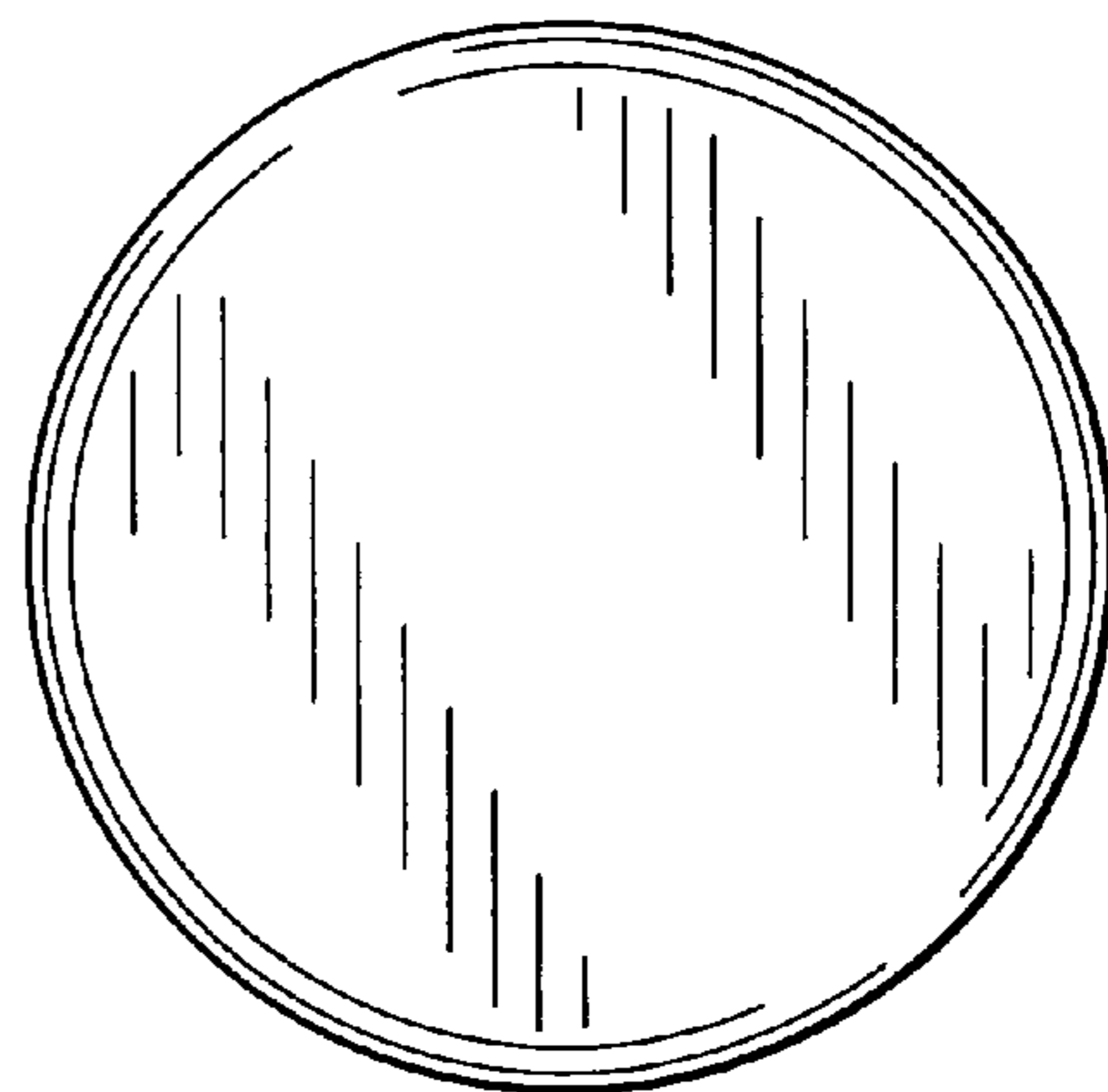


FIG. 7