



US00D550995S

(12) **United States Design Patent**
Thompson

(10) **Patent No.:** **US D550,995 S**

(45) **Date of Patent:** **** Sep. 18, 2007**

(54) **FURNITURE**

(75) **Inventor:** **David W. Thompson**, New Albany, OH (US)

(73) **Assignee:** **American Signature, Inc.**, Columbus, OH (US)

(**) **Term:** **14 Years**

(21) **Appl. No.:** **29/256,002**

(22) **Filed:** **Mar. 15, 2006**

(51) **LOC (8) Cl.** **06-06**

(52) **U.S. Cl.** **D6/511**

(58) **Field of Classification Search** D6/436,
D6/445-447, 491, 492, 494, 509-511, 470,
D6/402, 481, 349, 352; 312/140.1, 140.3,
312/204

See application file for complete search history.

(56) **References Cited**

U.S. PATENT DOCUMENTS

2,088,077	A *	7/1937	Wood	312/140.3
D111,648	S *	10/1938	Canterbury	D23/271
D151,662	S *	11/1948	Smead	D6/336
D156,324	S *	12/1949	Dastuque	D6/349
2,622,952	A *	12/1952	Wilhide	312/280
2,778,703	A *	1/1957	McBride	312/265
2,790,694	A *	4/1957	Palmer	312/306
D186,703	S *	11/1959	Shoffner	D6/402
3,504,956	A *	4/1970	Schottland	312/140.3
D330,102	S *	10/1992	Gunn	D34/8
D348,998	S *	7/1994	Siroonian	D6/477
D357,830	S *	5/1995	Englander et al.	D6/481
D363,622	S *	10/1995	Walters et al.	D6/477

D366,170	S *	1/1996	Temple	D6/511
D434,585	S *	12/2000	Neff et al.	D6/511
D473,395	S *	4/2003	Silvestrin	D6/402
D531,426	S *	11/2006	Netto et al.	D6/436
2004/0119381	A1 *	6/2004	Flores	312/140.3

* cited by examiner

Primary Examiner—Cathron C. Brooks

(74) *Attorney, Agent, or Firm*—Wood, Herron & Evans, L.L.P.

(57) **CLAIM**

The ornamental design for a furniture, as shown and described.

DESCRIPTION

FIG. 1 is a perspective view of a furniture showing my new design.

FIG. 2 is a front elevational view thereof, with the rear elevational view thereof being identical.

FIG. 3 is a cross-sectional view along line 3—3 of FIG. 2, depicting a stone slab defining the upper surface of the central section thereof.

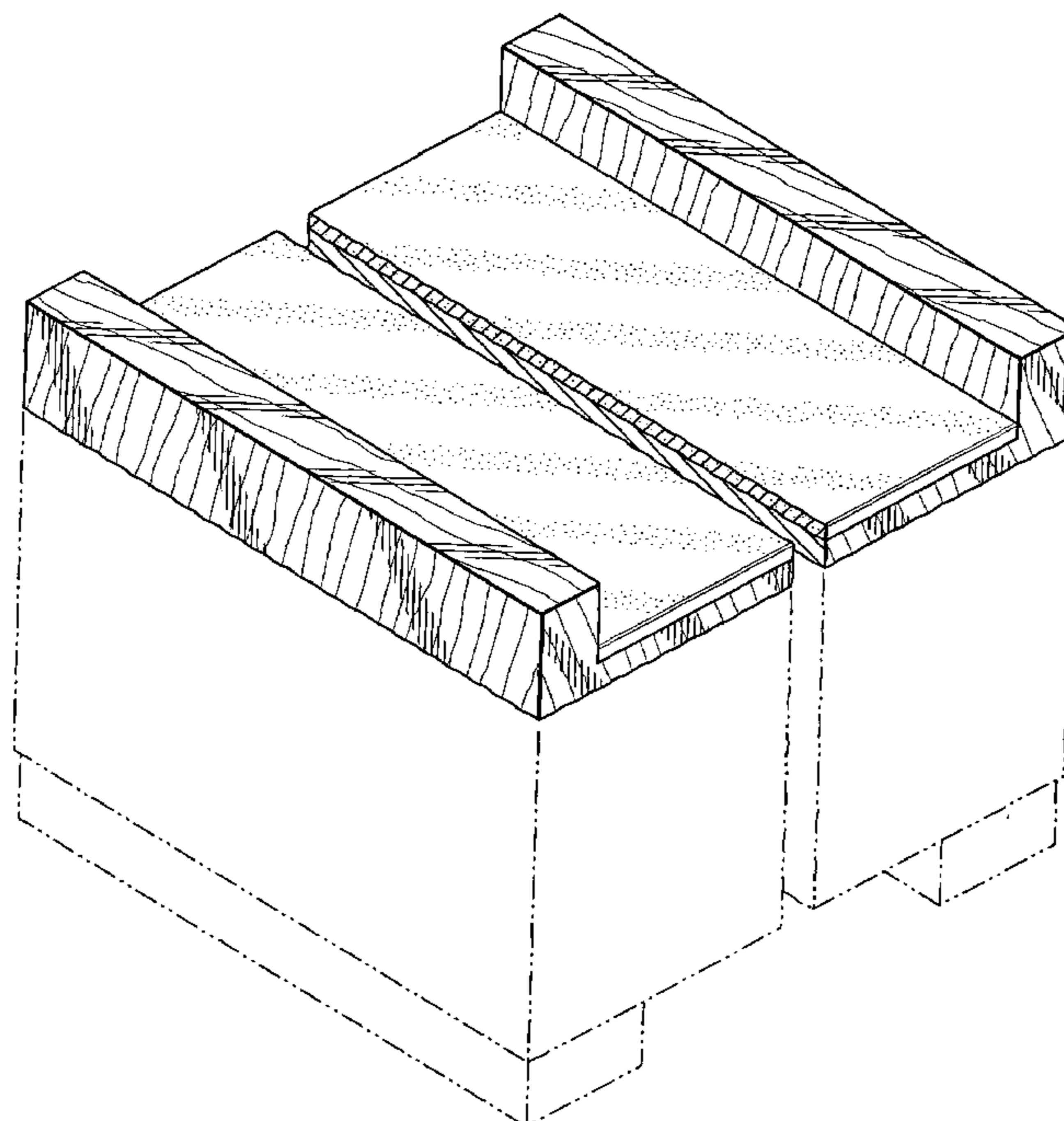
FIG. 4 is a right-side elevational view thereof, with the left-side elevational view thereof being identical; and,

FIG. 5 is a top plan view thereof.

The broken lines shown in FIGS. 1-5 depict the environment of the invention and form no part of my claimed design.

The furniture is shown broken apart at the center to indicate indeterminate length.

1 Claim, 4 Drawing Sheets



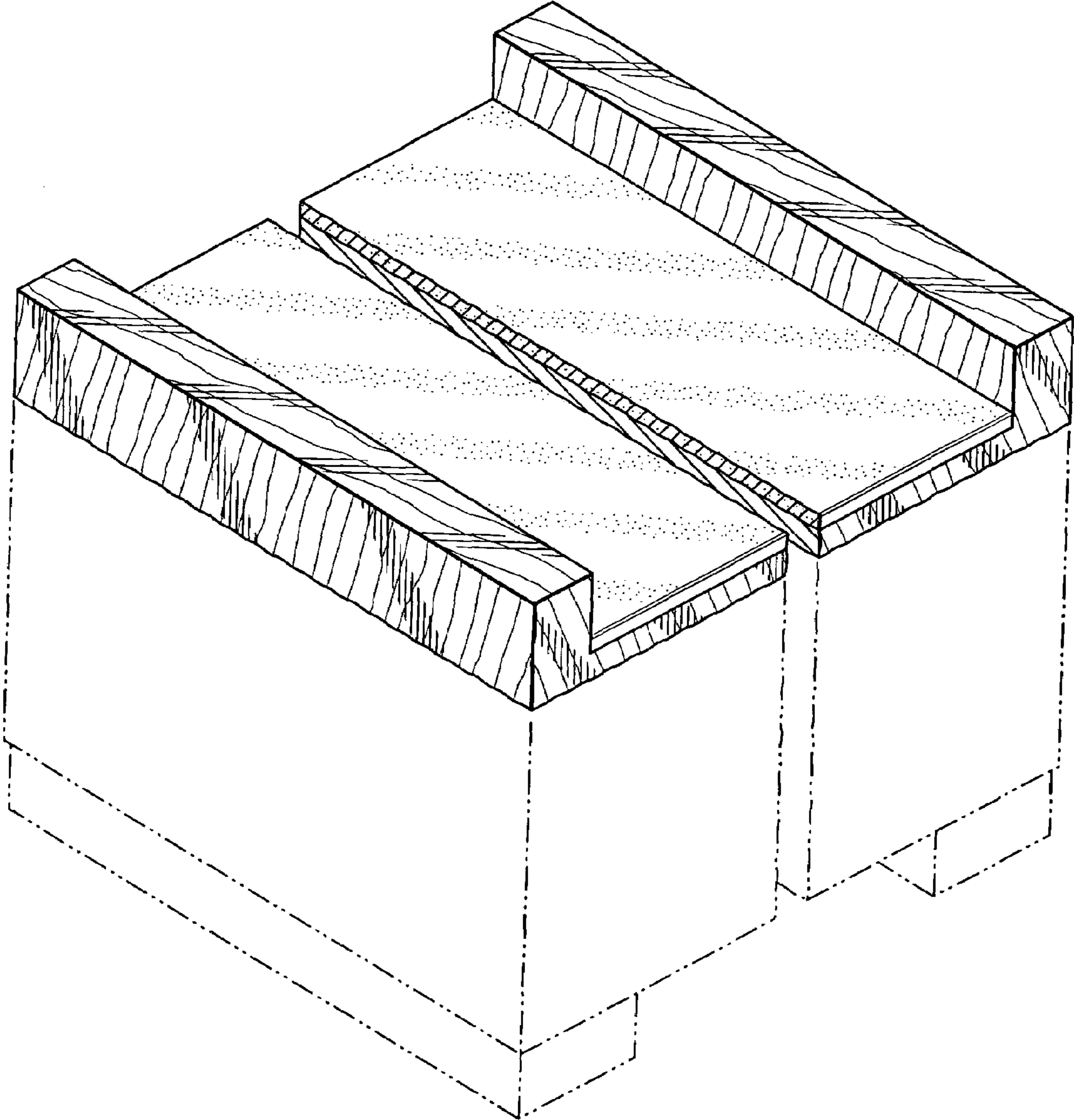


FIG. 1

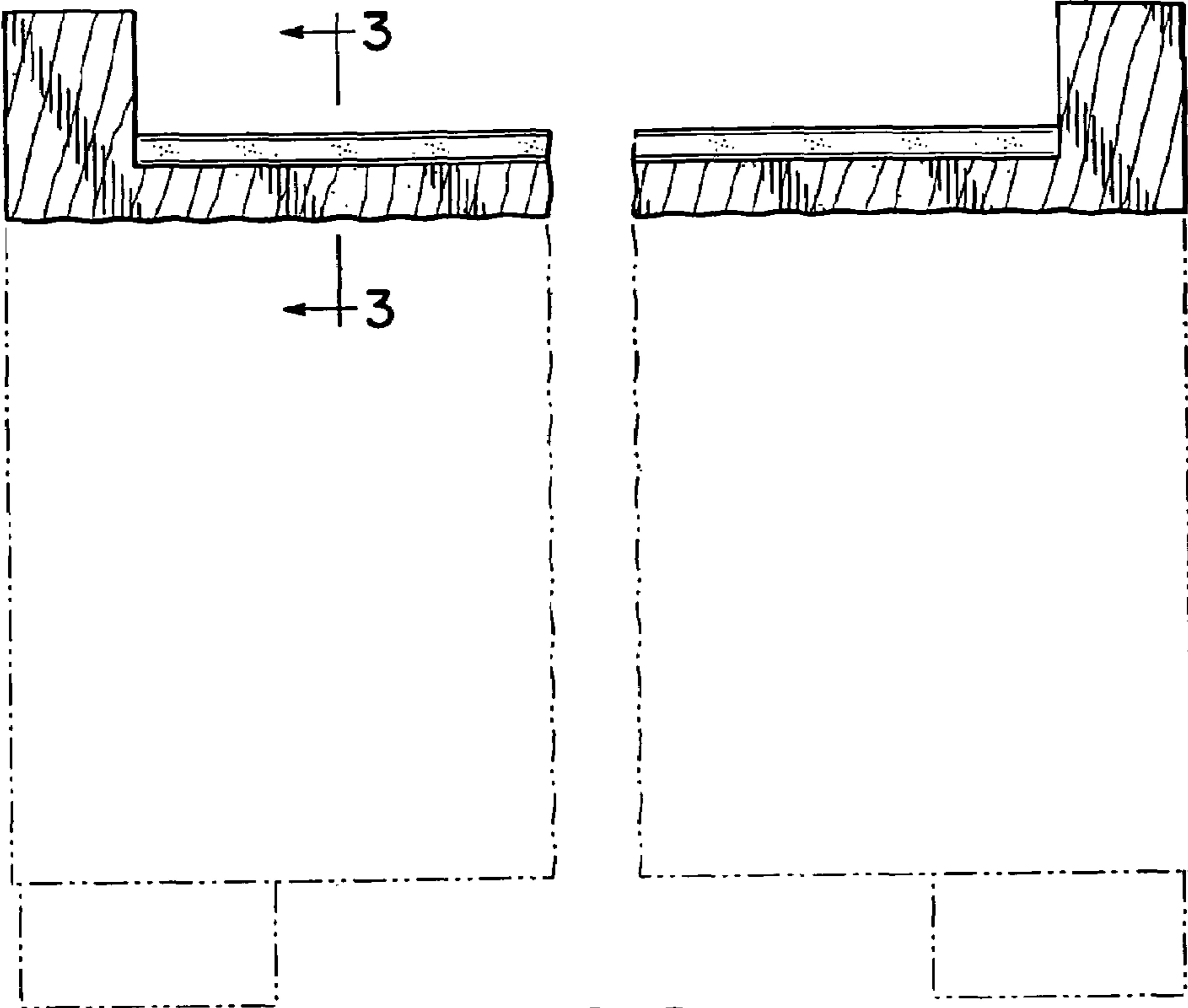


FIG. 2

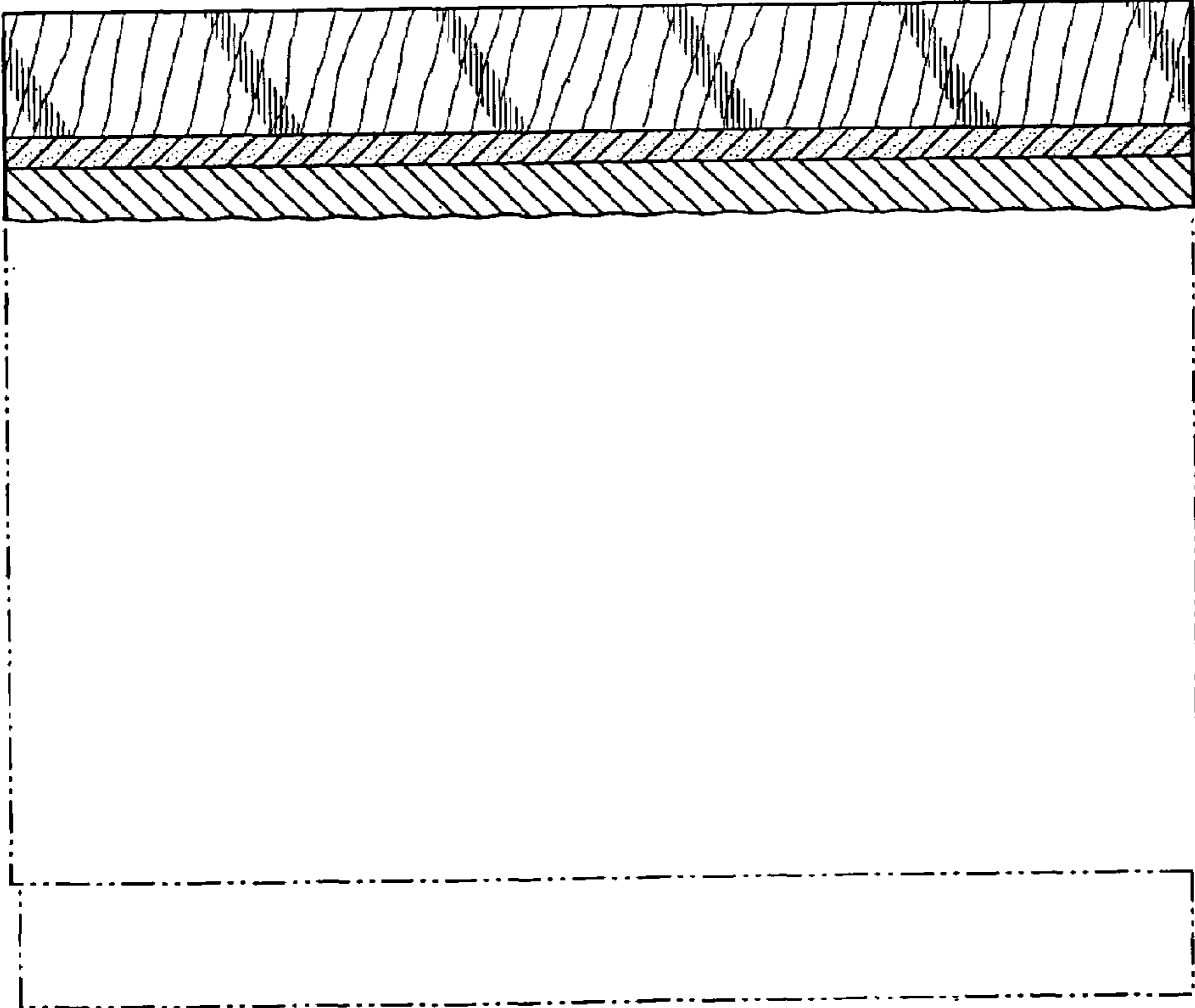


FIG. 3

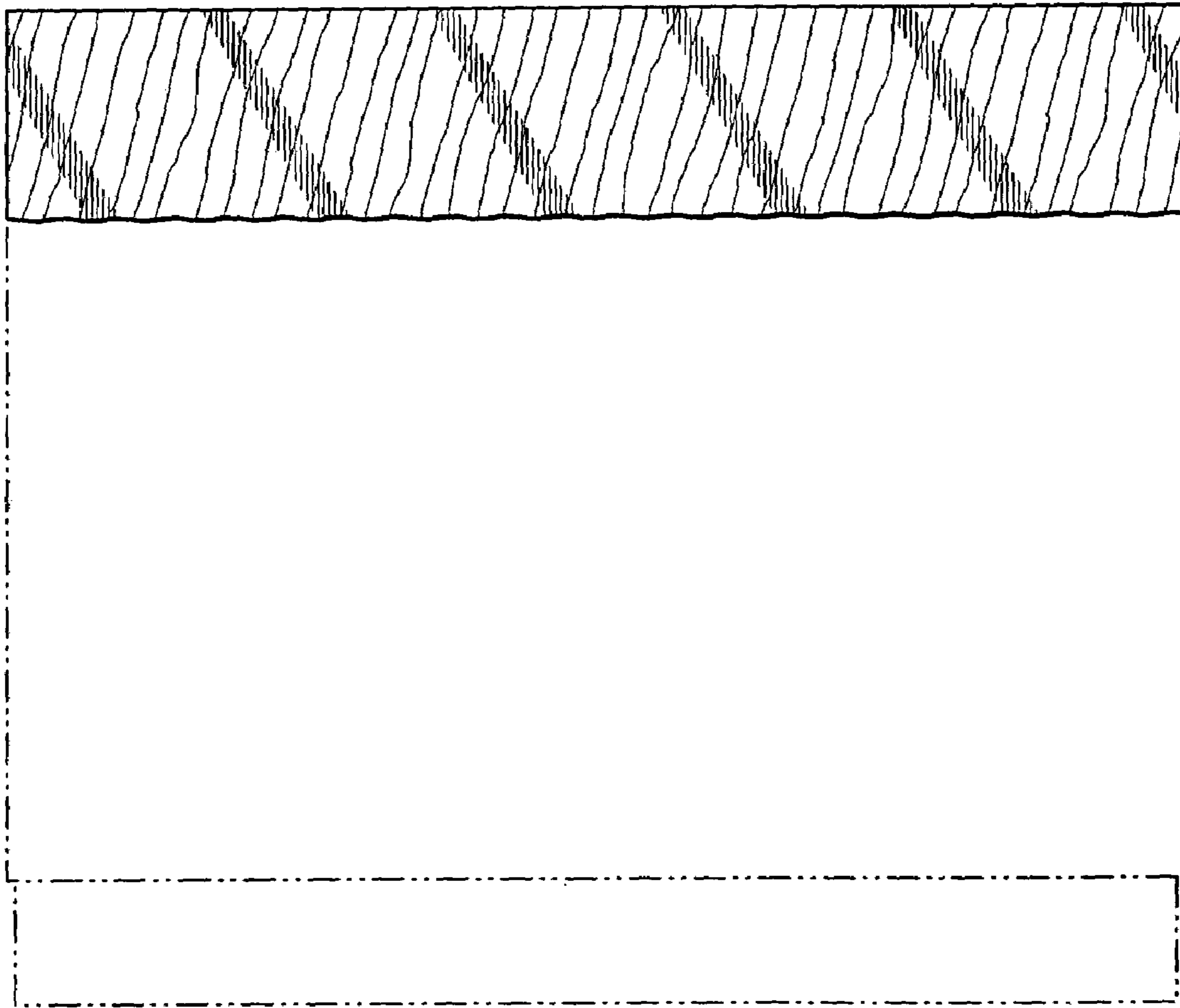


FIG. 4

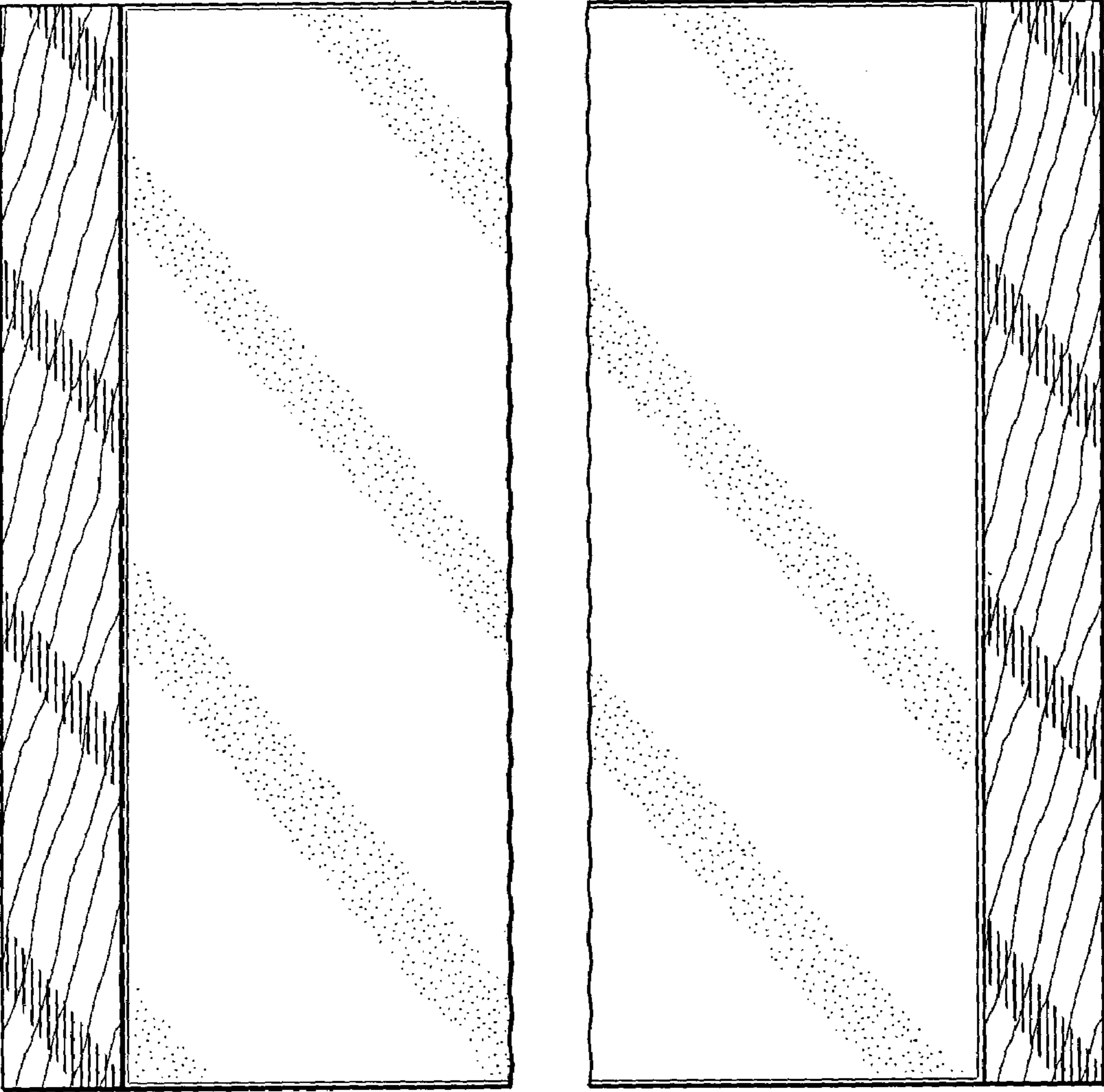


FIG. 5