



US00D550992S

(12) **United States Design Patent**  
**LaBianco**

(10) **Patent No.:** **US D550,992 S**

(45) **Date of Patent:** **\*\* Sep. 18, 2007**

(54) **CALF/LEG REST**

(76) **Inventor:** **Joanne LaBianco**, P.O. Box 1029,  
Corona Del Mar, CA (US) 92625

(\*\*) **Term:** **14 Years**

(21) **Appl. No.:** **29/229,760**

(22) **Filed:** **May 11, 2005**

(51) **LOC (8) Cl.** ..... **06-06**

(52) **U.S. Cl.** ..... **D6/501**

(58) **Field of Classification Search** ..... D6/334-336,  
D6/360, 361, 367, 371, 373, 379, 500-502;  
297/68, 271.1, 271.2, 271.3, 411.45, 423.19,  
297/423.3, 353, 354.1; 601/49, 57-59, 97-99,  
601/102, 115, 116, 148, 149; D24/212, 213  
See application file for complete search history.

(56) **References Cited**

**U.S. PATENT DOCUMENTS**

|           |      |         |                 |       |         |
|-----------|------|---------|-----------------|-------|---------|
| D269,652  | S *  | 7/1983  | McKean et al.   | ..... | D6/361  |
| 5,417,644 | A *  | 5/1995  | Lee             | ..... | 601/98  |
| D372,801  | S *  | 8/1996  | Fujimoto et al. | ..... | D6/367  |
| 5,762,618 | A *  | 6/1998  | Yamanaka et al. | ..... | 601/148 |
| 5,792,082 | A *  | 8/1998  | Yamanaka et al. | ..... | 601/148 |
| 6,315,744 | B1 * | 11/2001 | Inaba           | ..... | 601/149 |
| 6,517,500 | B2 * | 2/2003  | Ichikawa        | ..... | 601/98  |

|              |      |         |                 |       |         |
|--------------|------|---------|-----------------|-------|---------|
| D471,372     | S *  | 3/2003  | Inada et al.    | ..... | D6/367  |
| D477,415     | S *  | 7/2003  | Miyake et al.   | ..... | D24/212 |
| D502,607     | S *  | 3/2005  | Miyake et al.   | ..... | D6/335  |
| D517,337     | S *  | 3/2006  | Mori            | ..... | D6/367  |
| 2005/0033204 | A1 * | 2/2005  | Nakamura et al. | ..... | 601/98  |
| 2005/0288612 | A1 * | 12/2005 | Suzuki          | ..... | 601/148 |

\* cited by examiner

*Primary Examiner*—Mimosa De

(74) *Attorney, Agent, or Firm*—Walter A. Hackler

(57) **CLAIM**

The ornamental design for the calf/leg rest, as shown and described.

**DESCRIPTION**

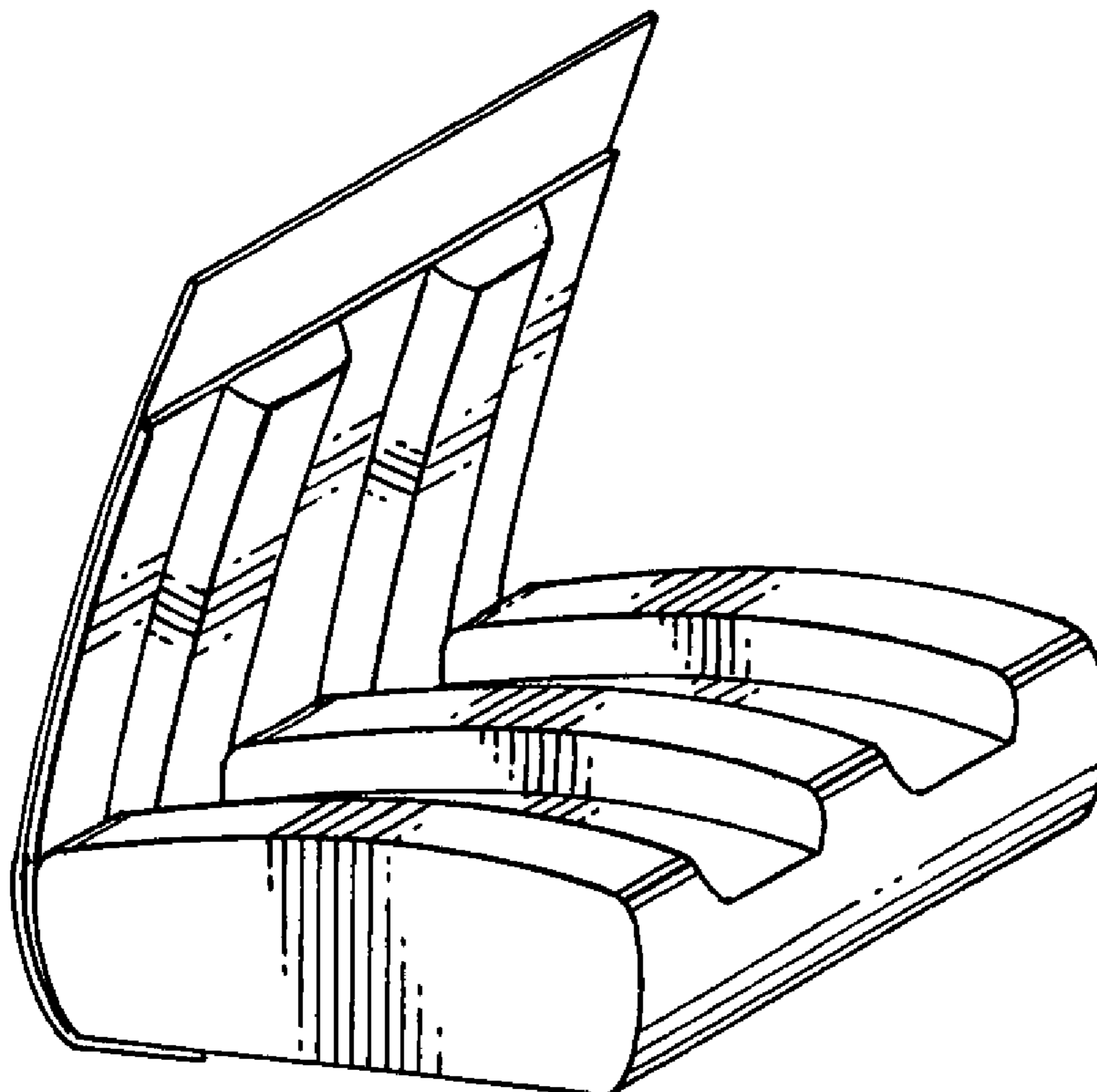
FIG. 1 is a perspective view of the present invention showing the front, back and side of the invention;

FIG. 2 is a perspective view of the present invention, shown the calf/leg rest in a partially open position; and,

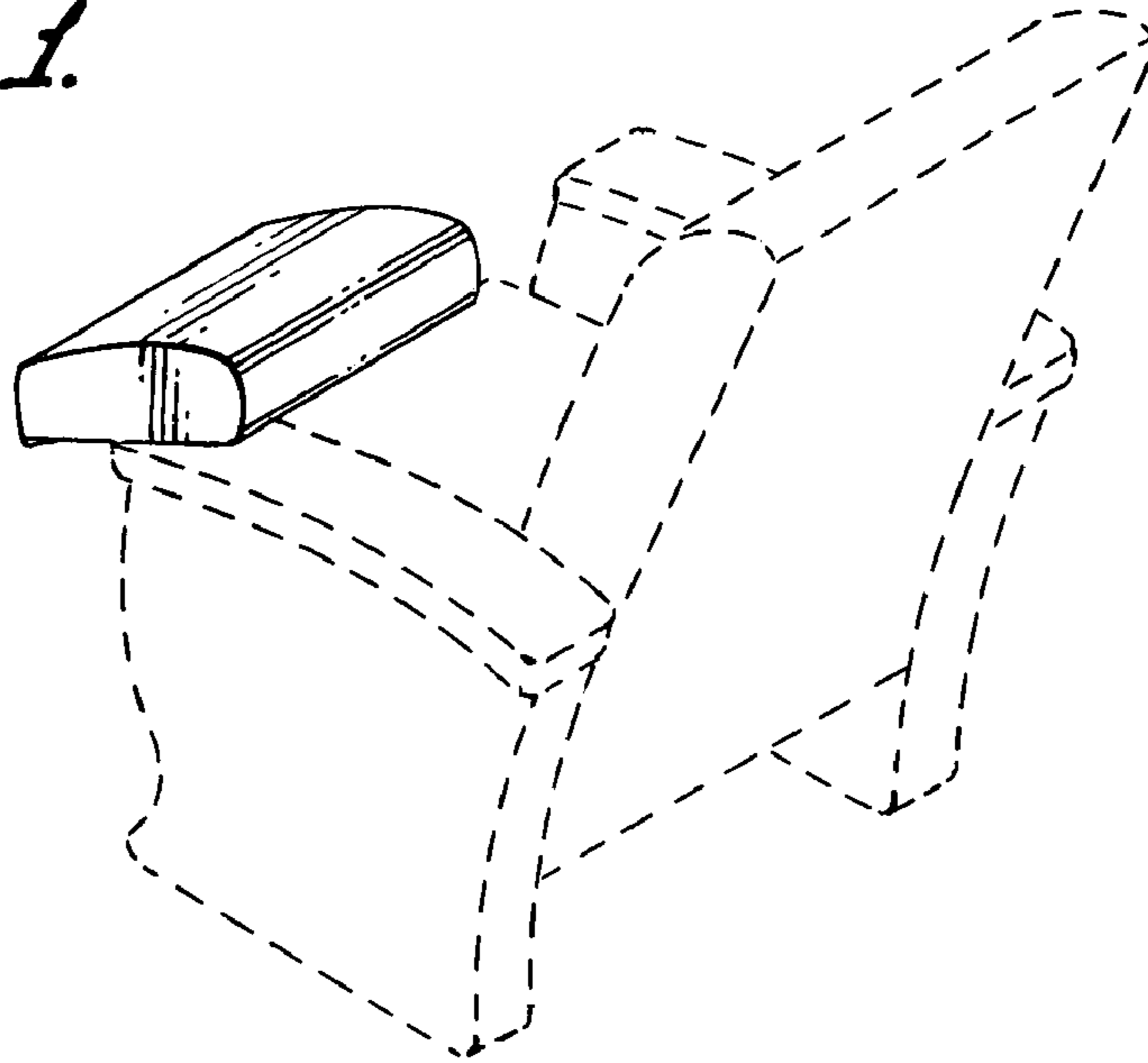
FIG. 3 is a perspective view of the present invention, in a totally open position.

Dashed lines illustrating a recliner are not part of the present invention.

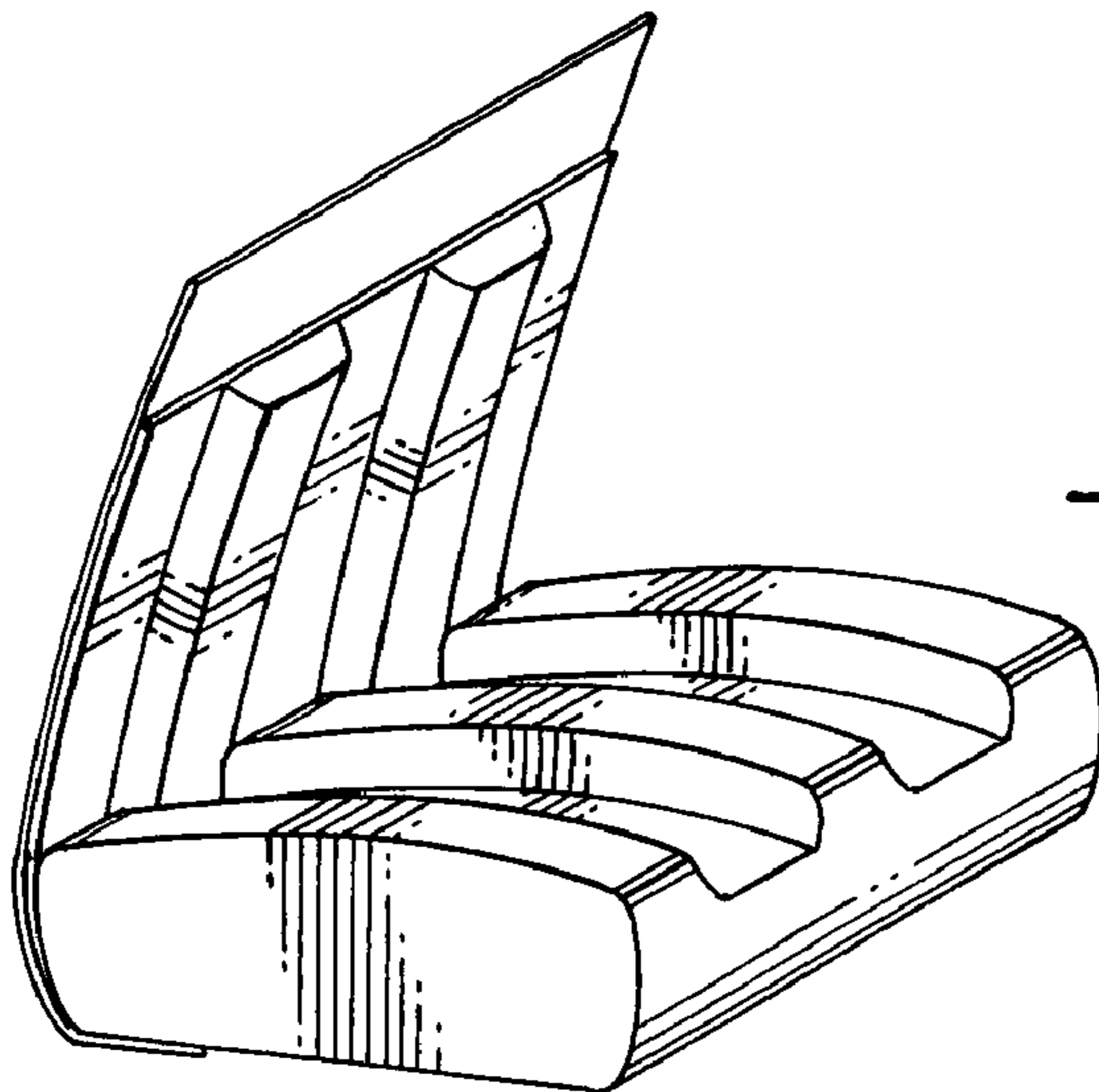
**1 Claim, 1 Drawing Sheet**



*FIG. 1.*



*FIG. 2.*



*FIG. 3.*

