



US00D550987S

(12) **United States Design Patent** (10) **Patent No.:** **US D550,987 S**  
**Brevda et al.** (45) **Date of Patent:** **\*\* Sep. 18, 2007**

(54) **DISPLAY RACK**

D437,164 S \* 2/2001 Fickett ..... D6/552  
 D528,615 S \* 9/2006 Black ..... D21/694

(75) Inventors: **Burton S. Brevda**, Greensboro, NC (US); **Ryan H. Brevda**, Greensboro, NC (US); **Scott D. Brevda**, Summerfield, NC (US); **Steven M. Hobbs**, Winston-Salem, NC (US)

**OTHER PUBLICATIONS**

Brochure page of displays for Ryan Scott, Inc., Mueller 2-Way Mueller Sports Medicine, date unknown.  
 Brochure page of display, Mueller Sport Car, date unknown.

(73) Assignee: **Ryan Scott, Inc.**, Greensboro, NC (US)

\* cited by examiner

(\*\*) Term: **14 Years**

*Primary Examiner*—Janice E. Seeger  
*Assistant Examiner*—Sydney R Buffalow

(21) Appl. No.: **29/258,700**

(74) *Attorney, Agent, or Firm*—Womble Carlyle Sandridge & Rice, PLLC; C. Robert Rhodes

(22) Filed: **Apr. 26, 2006**

(57) **CLAIM**

(51) **LOC (8) Cl.** ..... **06-04**

The ornamental design for a display rack, as shown and described.

(52) **U.S. Cl.** ..... **D6/495**

(58) **Field of Classification Search** ..... D6/495,  
 D6/486, 419, 499, 410, 552, 496, 498; 248/441.1,  
 248/454, 456, 447, 460, 463; D21/686, 690,  
 D21/694, 691; 482/139; 211/13.1, 5, 181.1,  
 211/182, 66

**DESCRIPTION**

See application file for complete search history.

FIG. 1 is a right front perspective view of a display rack showing our new design;

FIG. 2 is a front elevational view, the rear elevational view being a mirror image thereof;

FIG. 3 is a right side view thereof; and,

FIG. 4 is a left side view thereof .

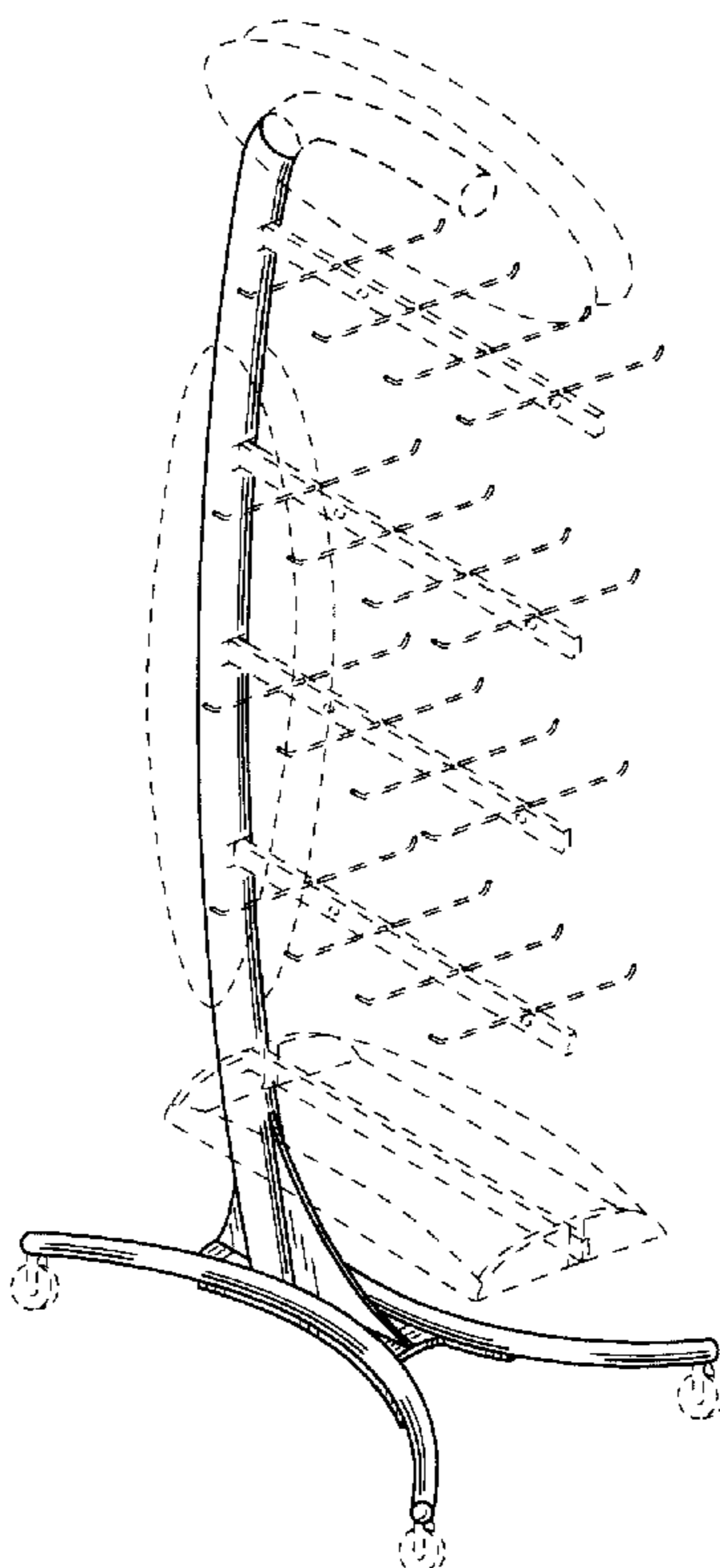
The dashed lines represent environmental elements only, such as signage and various optional shelving units, and form no part of the claimed design.

(56) **References Cited**

**U.S. PATENT DOCUMENTS**

D230,109 S *	1/1974	Gass	.....	D6/499
D260,338 S *	8/1981	Savage	.....	D6/410
D270,588 S *	9/1983	Kemple	.....	D6/486
D327,105 S *	6/1992	Smith, Jr.	.....	D21/691
D409,419 S *	5/1999	Wilkinson	.....	D6/486
D433,581 S *	11/2000	Miller	.....	D6/419

**1 Claim, 4 Drawing Sheets**



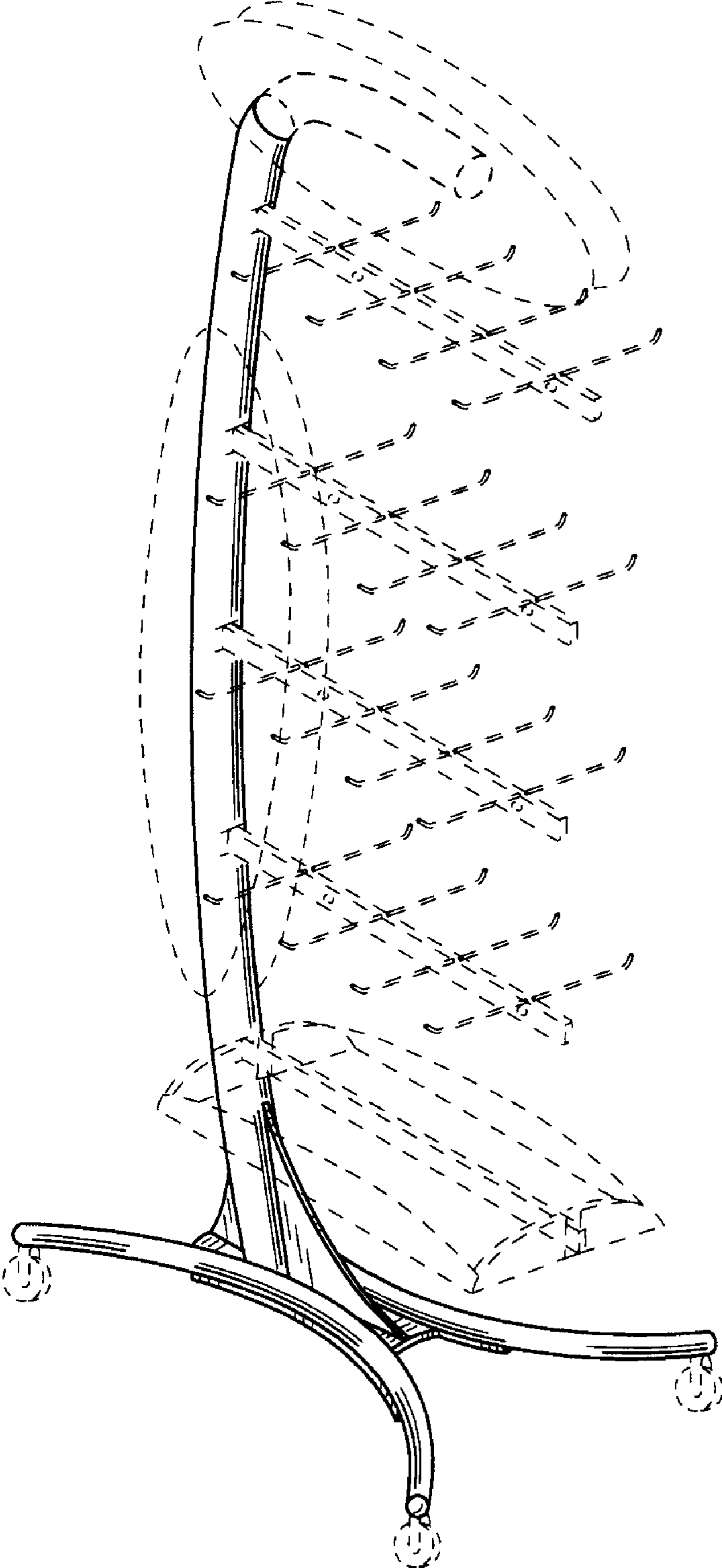


FIG. 1

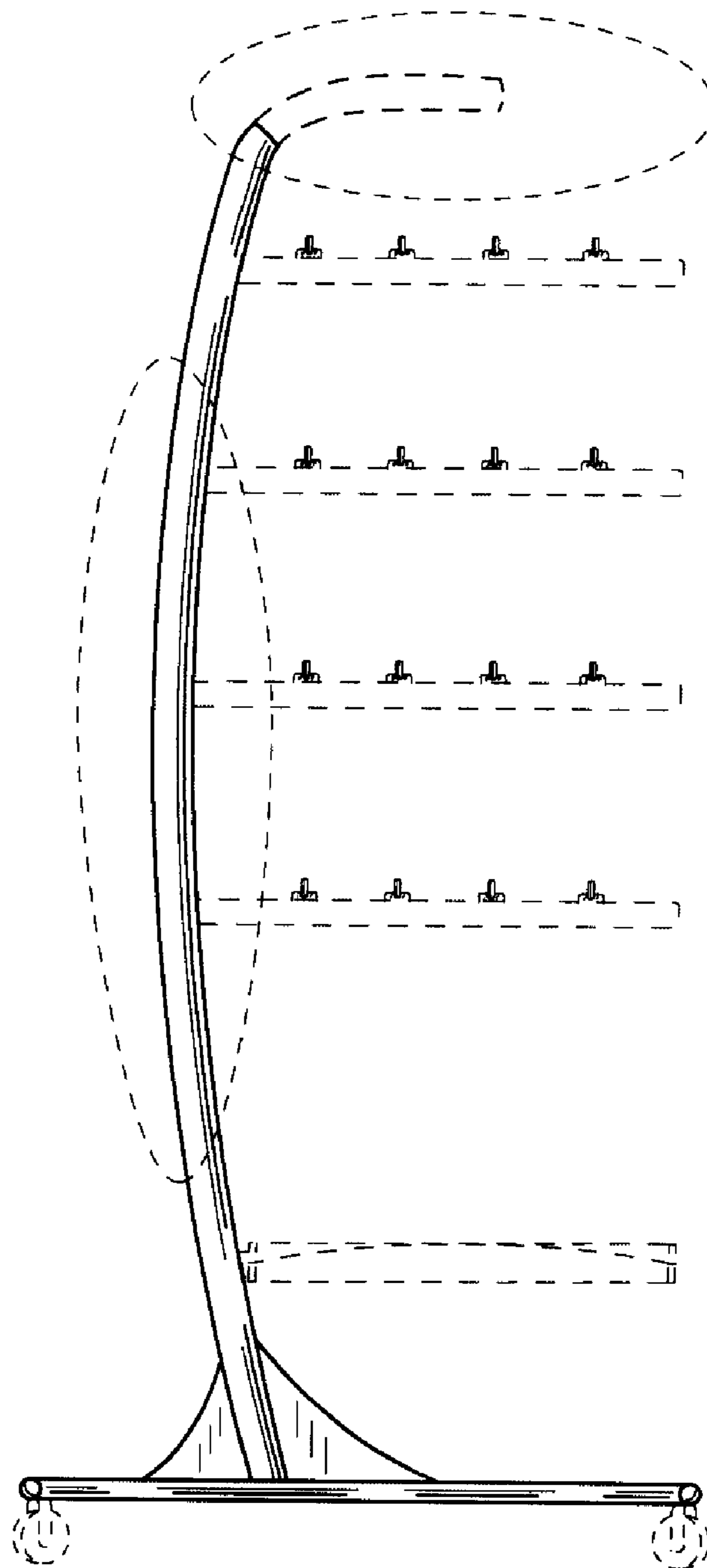


FIG. 2

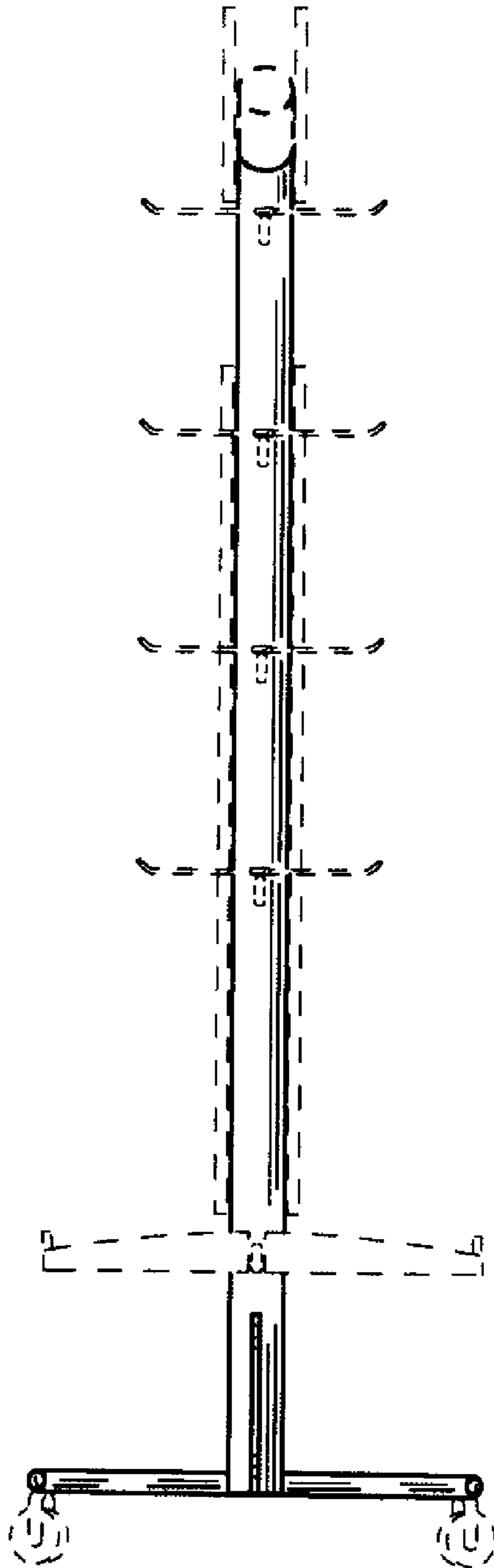


FIG. 3

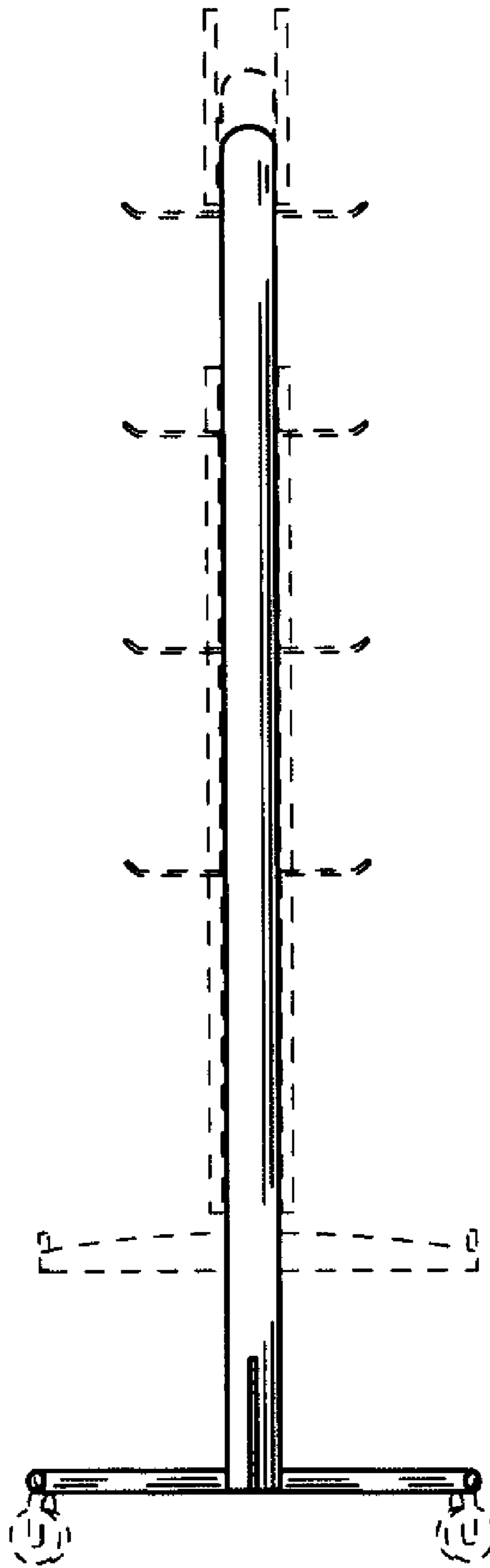


FIG. 4