



US00D550981S

(12) **United States Design Patent**
Watson, Sr.

(10) **Patent No.:** **US D550,981 S**

(45) **Date of Patent:** **** Sep. 18, 2007**

(54) **LEG-LESS NIGHTSTAND**

(76) Inventor: **David A. Watson, Sr.**, 54 Iroquois Dr.,
Warwick, RI (US) 02888

(**) Term: **14 Years**

(21) Appl. No.: **29/246,118**

(22) Filed: **Feb. 20, 2006**

(51) **LOC (8) Cl.** **06-04**

(52) **U.S. Cl.** **D6/432**

(58) **Field of Classification Search** D6/384,
D6/432, 436-441, 406.1, 406.2, 406.3, 505,
D6/509, 510; 5/3, 53.1; 108/49, 135; 297/135,
297/145, 156, 188.1; 312/114, 204, 235.2,
312/235.6, 237

See application file for complete search history.

(56) **References Cited**

U.S. PATENT DOCUMENTS

763,281	A	6/1904	Hales	
2,372,077	A *	3/1945	Glinecki	297/156
2,510,293	A *	6/1950	Reed et al.	297/145
2,673,601	A *	3/1954	Fischer et al.	312/246
3,054,122	A *	9/1962	Sarkus	108/49
3,131,968	A *	5/1964	Alt	297/188.11
D241,291	S *	9/1976	Offedi	D6/384
4,465,255	A	8/1984	Hill	248/441.1
D294,205	S *	2/1988	Schmidgall	D6/406.3
4,836,113	A *	6/1989	Waddell et al.	108/49
5,009,379	A	4/1991	Sadler	248/174
5,038,434	A	8/1991	Navarrette	5/507
5,359,741	A	11/1994	Lang	5/507.1
5,642,541	A	7/1997	Corbin	5/507.1

D470,679	S *	2/2003	Lee	D6/505
6,742,204	B1 *	6/2004	Barker	108/49
6,748,874	B2	6/2004	Gawronski	108/42
D495,519	S *	9/2004	Magistretti	D6/384
6,898,810	B2	5/2005	Steven	5/621
2004/0261175	A1	12/2004	May	5/503.1

* cited by examiner

Primary Examiner—Mimosa De

(74) *Attorney, Agent, or Firm*—Barlow, Josephs & Holmes,
Ltd.

(57) **CLAIM**

The ornamental design for a leg-less nightstand, as shown and described.

DESCRIPTION

FIG. 1 is a perspective view of a leg-less nightstand showing my new design;

FIG. 2 is a slightly reduced right elevational view thereof;

FIG. 3 is a slightly reduced left elevational view thereof;

FIG. 4 is a slightly reduced top view thereof;

FIG. 5 is a slightly reduced bottom view thereof;

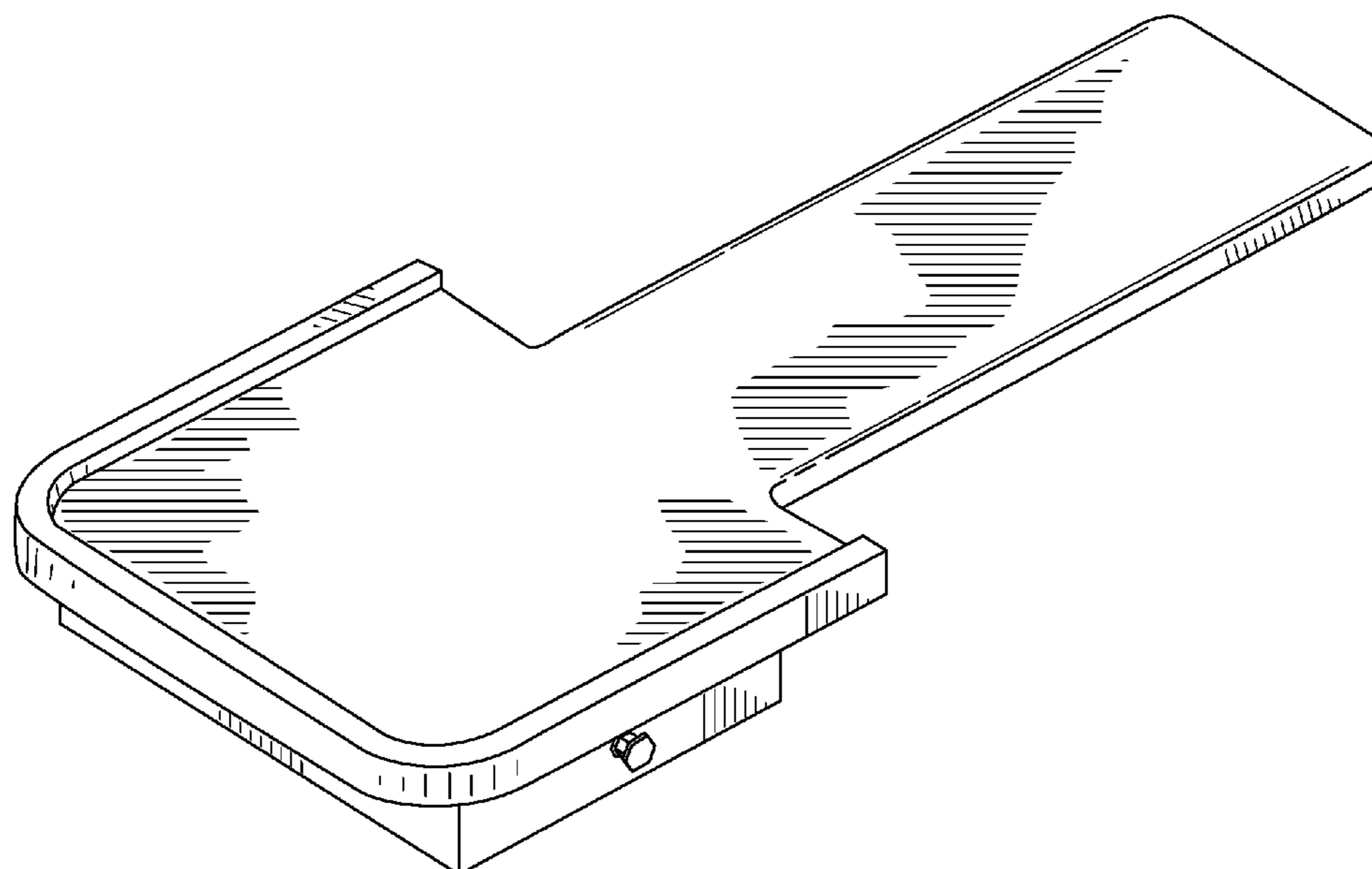
FIG. 6 is a slightly reduced rear elevational view thereof;

FIG. 7 is a slightly reduced front elevational view thereof;

and,

FIG. 8 is a perspective view of the leg-less nightstand installed on a bed; the broken lines showing a bed and articles to be supported is for illustrative purposes only and forms no part of the claimed design.

1 Claim, 4 Drawing Sheets



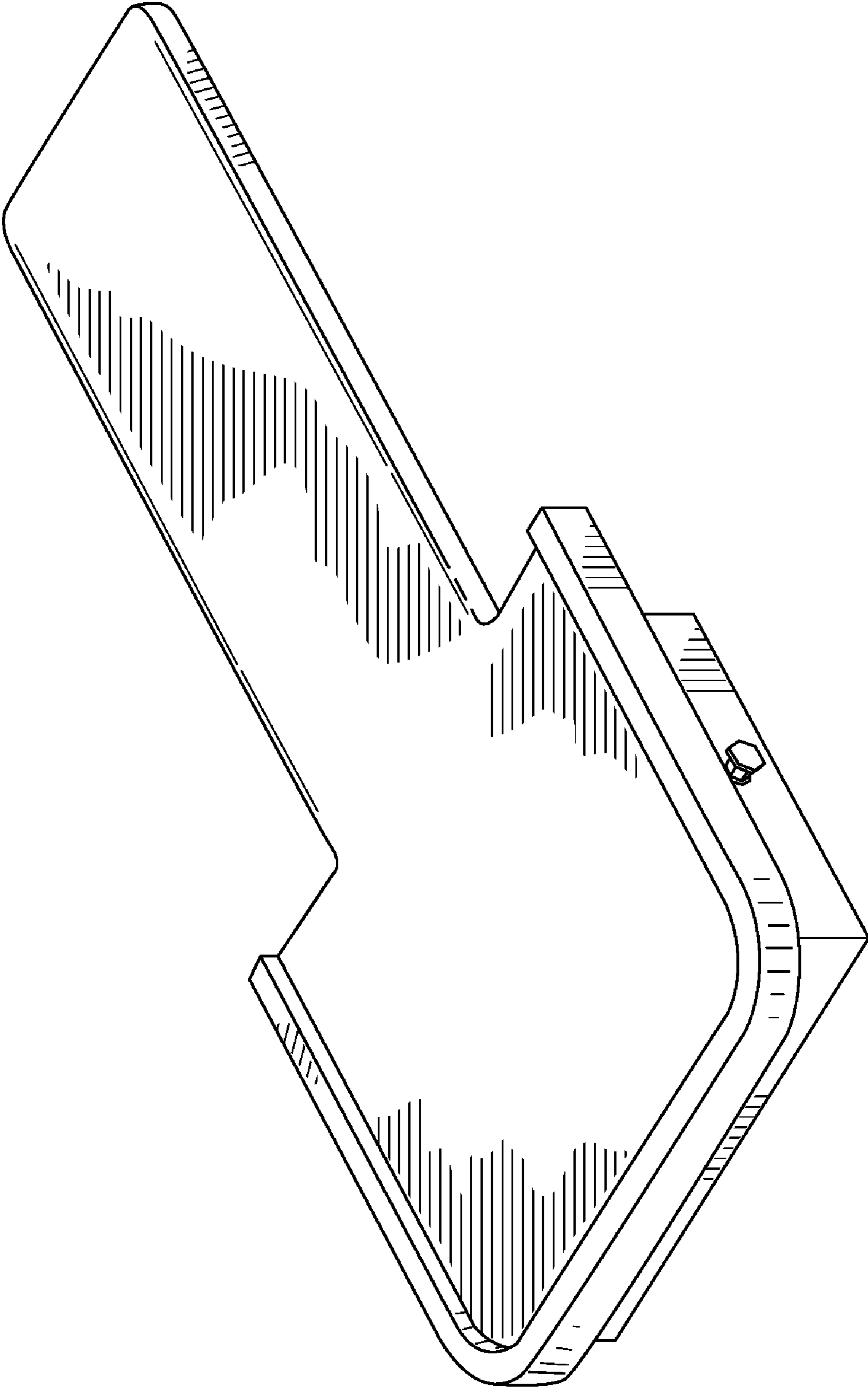


FIG. 1

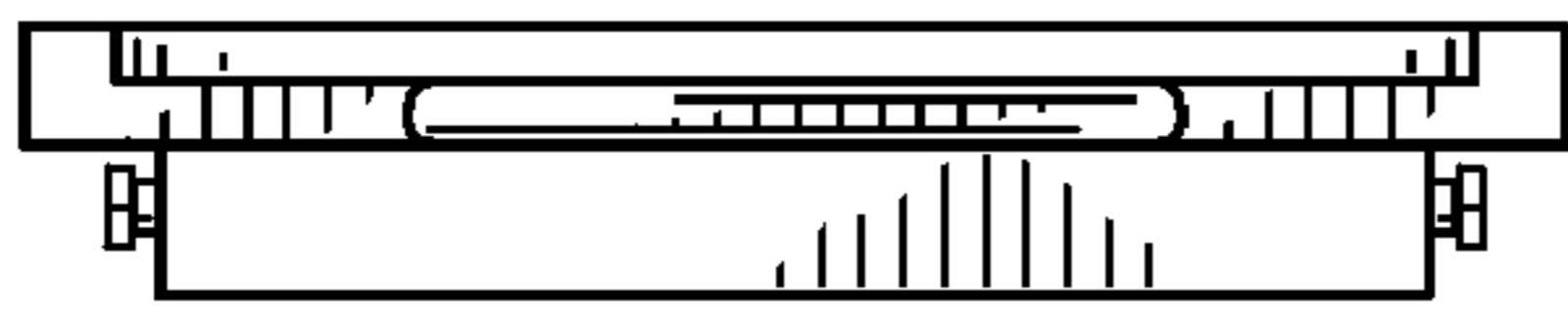


FIG. 2

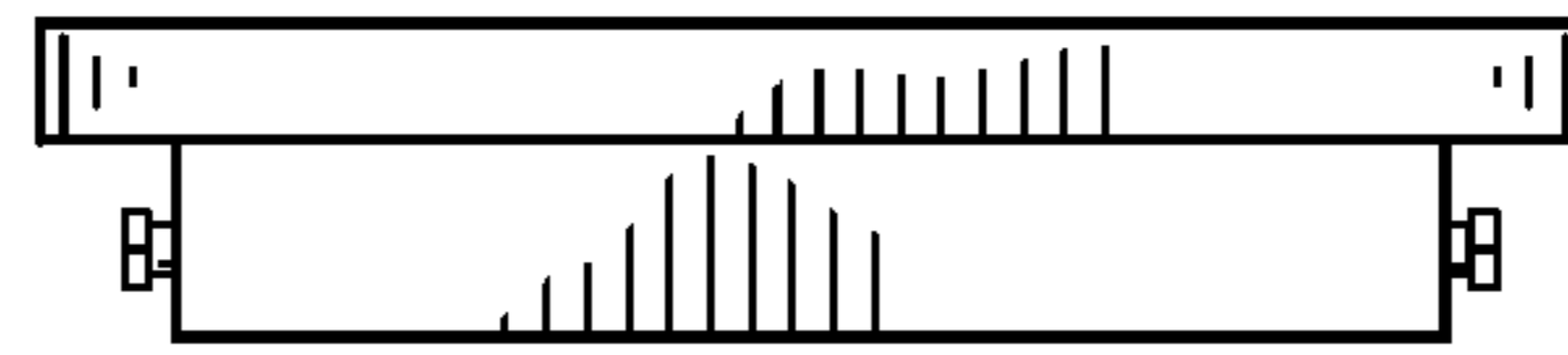


FIG. 3

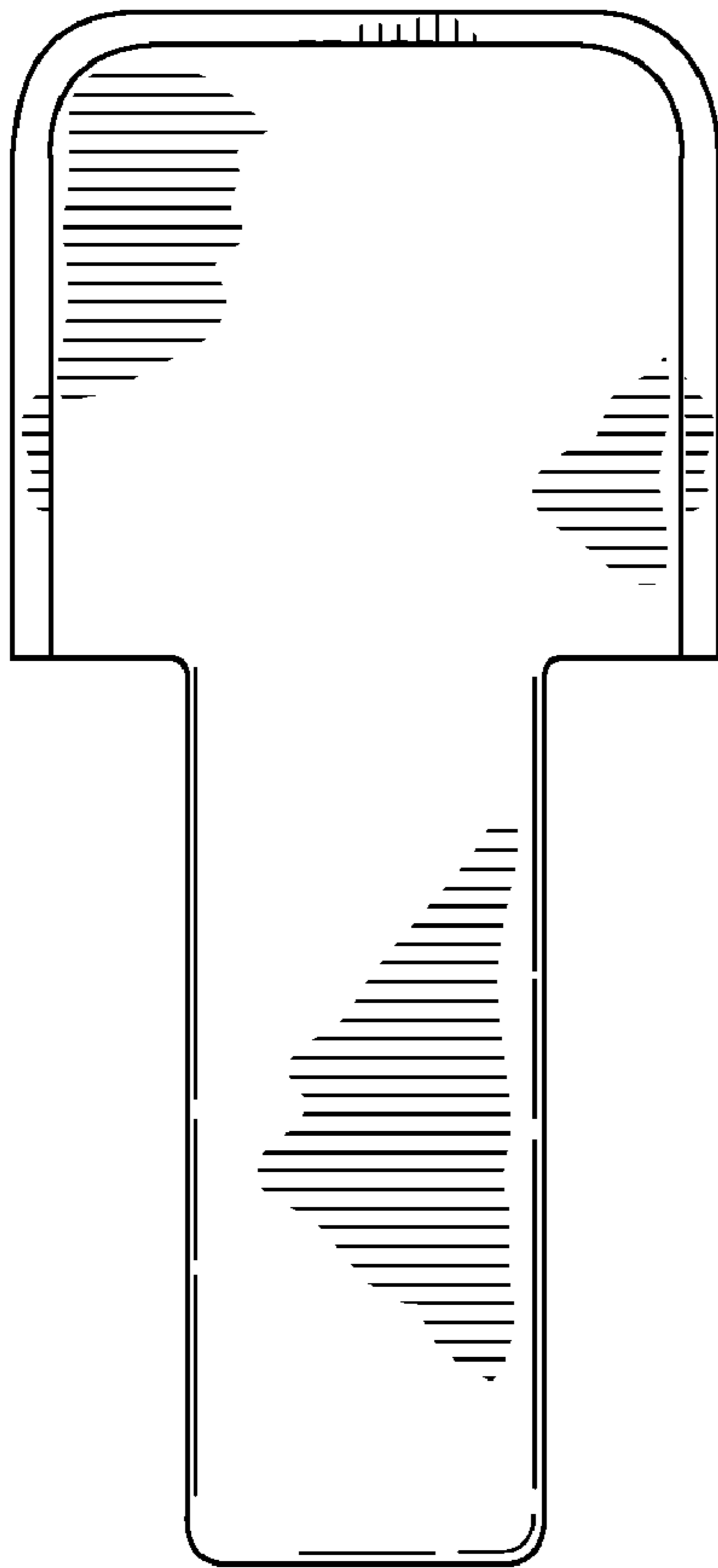


FIG. 4

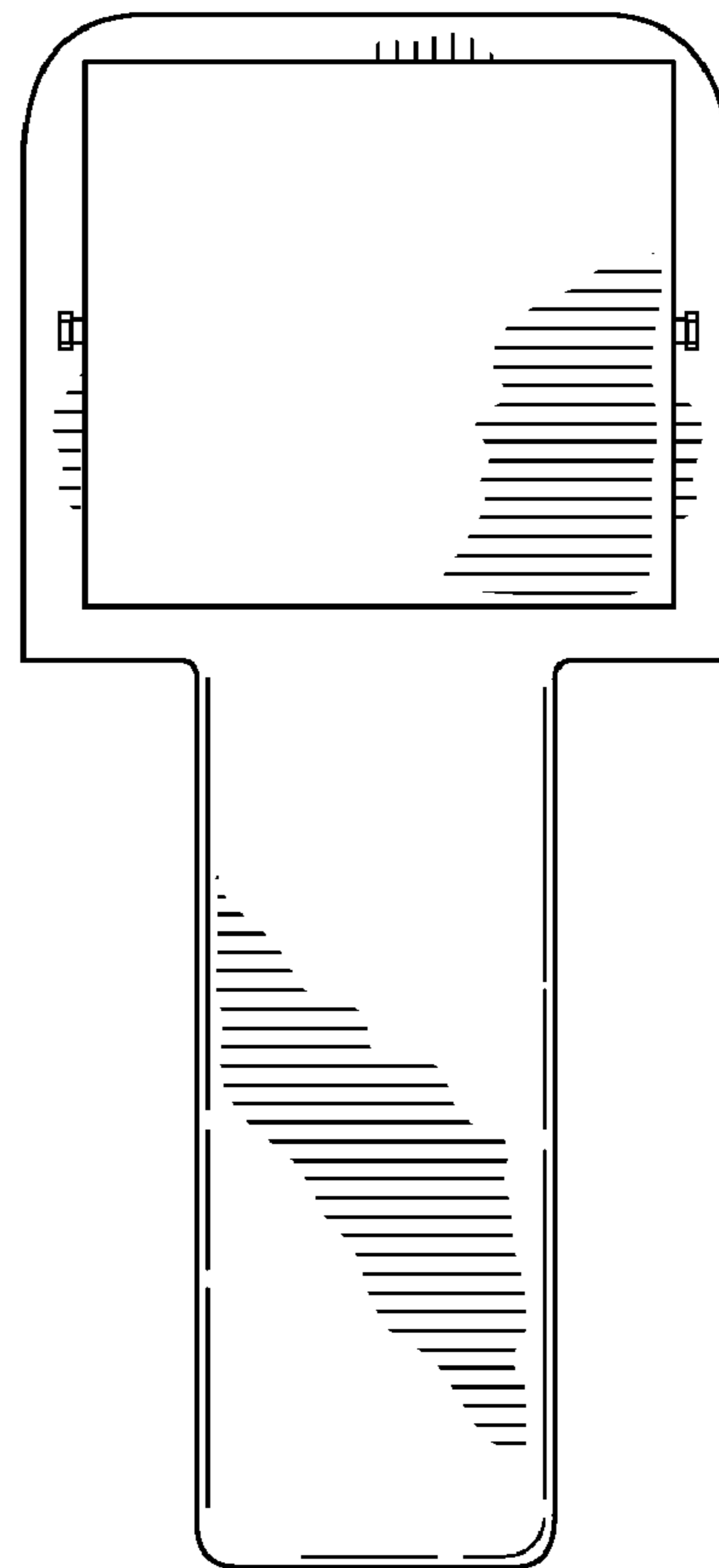


FIG. 5

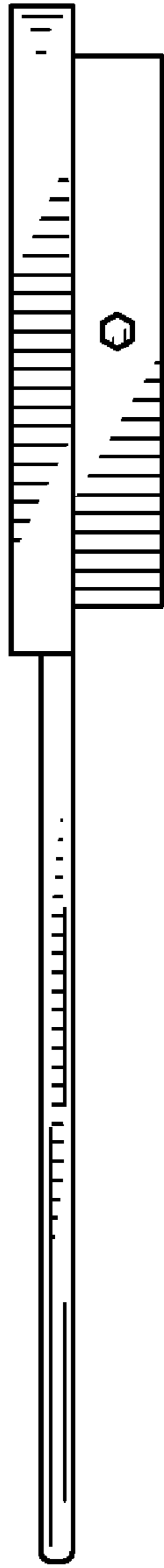


FIG. 6

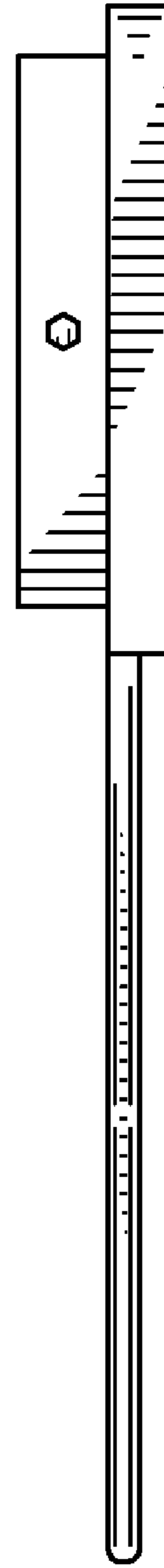


FIG. 7

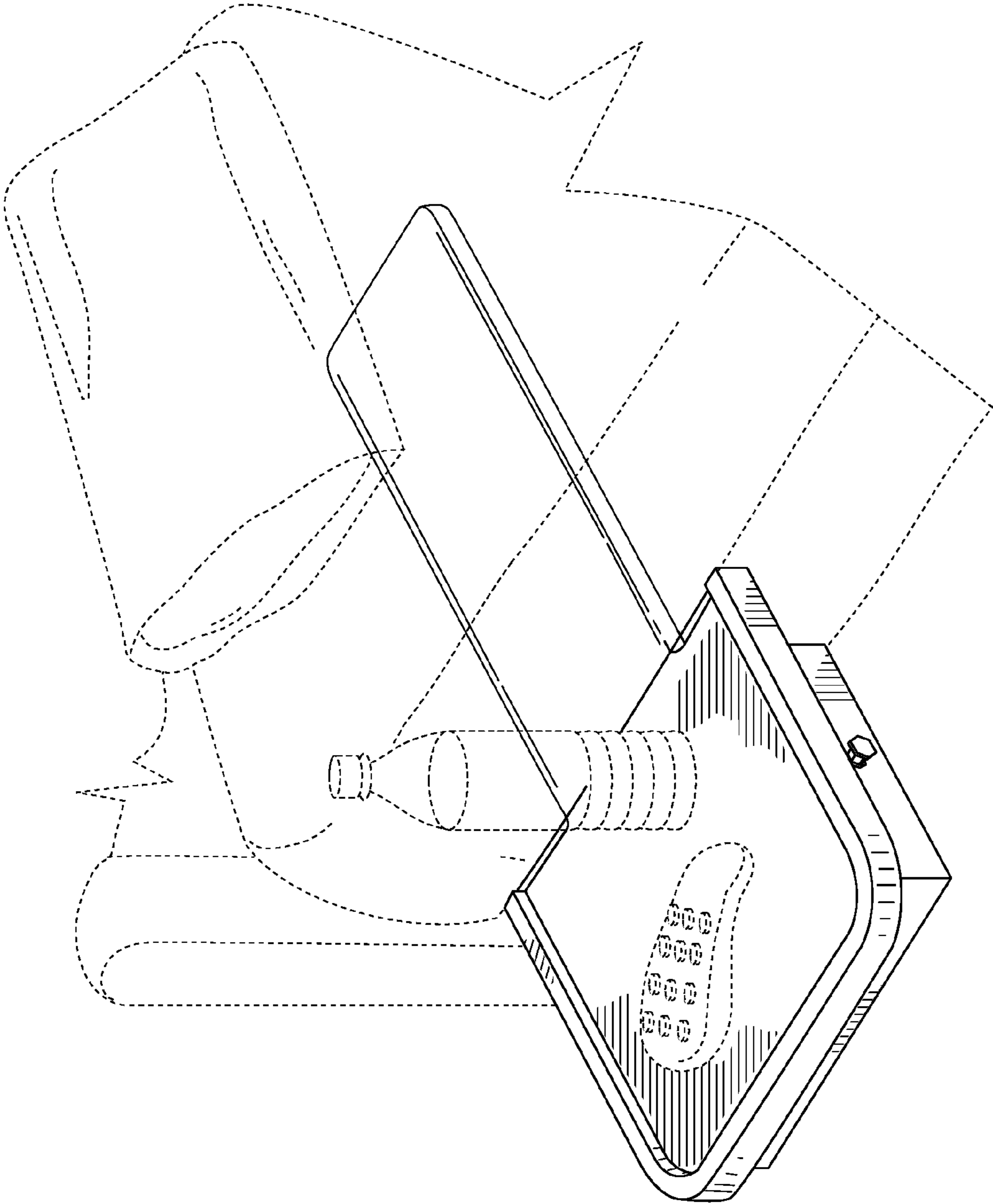


FIG. 8